

For New Technology Network

NTN®

NTN corporation

Ball and Roller Bearings



CAT. NO. 2202-II/E

Technical Data**A- 5****Deep Groove Ball Bearings****B- 5****Miniature and Extra Small Bearings****B- 29****Angular Contact Ball Bearings****B- 41****Self-Aligning Ball Bearings****B- 77****Cylindrical Roller Bearings****B- 89****Tapered Roller Bearings****B-131****Spherical Roller Bearings****B-229****Thrust Bearings****B-265****Locknuts, Lockwashers & Lockplates****C- 1****Catalog List & Appendix Table****D- 1**

Warranty

NTN warrants, to the original purchaser only, that the delivered product which is the subject of this sale (a) will conform to drawings and specifications mutually established in writing as applicable to the contract, and (b) be free from defects in material or fabrication. The duration of this warranty is one year from date of delivery. If the buyer discovers within this period a failure of the product to conform to drawings or specifications, or a defect in material or fabrication, it must promptly notify NTN in writing. In no event shall such notification be received by NTN later than 13 months from the date of delivery. Within a reasonable time after such notification, NTN will, at its option, (a) correct any failure of the product to conform to drawings, specifications or any defect in material or workmanship, with either replacement or repair of the product, or (b) refund, in part or in whole, the purchase price. Such replacement and repair, excluding charges for labor, is at NTN's expense. All warranty service will be performed at service centers designated by NTN. These remedies are the purchaser's exclusive remedies for breach of warranty.

NTN does not warrant (a) any product, components or parts not manufactured by NTN, (b) defects caused by failure to provide a suitable installation environment for the product, (c) damage caused by use of the product for purposes other than those for which it was designed, (d) damage caused by disasters such as fire, flood, wind, and lightning, (e) damage caused by unauthorized attachments or modification, (f) damage during shipment, or (g) any other abuse or misuse by the purchaser.

THE FOREGOING WARRANTIES ARE IN LIEU OF ALL OTHER WARRANTIES, EXPRESS OR IMPLIED, INCLUDING BUT NOT LIMITED TO THE IMPLIED WARRANTIES OF MERCHANTABILITY AND FITNESS FOR A PARTICULAR PURPOSE.

In no case shall NTN be liable for any special, incidental, or consequential damages based upon breach of warranty, breach of contract, negligence, strict tort, or any other legal theory, and in no case shall total liability of NTN exceed the purchase price of the part upon which such liability is based. Such damages include, but are not limited to, loss of profits, loss of savings or revenue, loss of use of the product or any associated equipment, cost of capital, cost of any substitute equipment, facilities or services, downtime, the claims of third parties including customers, and injury to property. Some states do not allow limits on warranties, or on remedies for breach in certain transactions. In such states, the limits in this paragraph and in paragraph (2) shall apply to the extent allowable under case law and statutes in such states.

Any action for breach of warranty or any other legal theory must be commenced within 15 months following delivery of the goods.

Unless modified in a writing signed by both parties, this agreement is understood to be the complete and exclusive agreement between the parties, superceding all prior agreements, oral or written, and all other communications between the parties relating to the subject matter of this agreement. No employee of NTN or any other party is authorized to make any warranty in addition to those made in this agreement.

This agreement allocates the risks of product failure between NTN and the purchaser. This allocation is recognized by both parties and is reflected in the price of the goods. The purchaser acknowledges that it has read this agreement, understands it, and is bound by its terms.

© NTN Corporation. 2001

Although care has been taken to assure the accuracy of the data compiled in this catalog, NTN does not assume any liability to any company or person for errors or omissions.

NTN

Ball and Roller Bearings

TECHNICAL DATA CONTENTS

1. Classification and Characteristics of Rolling Bearings	A-5
1.1 Rolling bearing construction	A-5
1.2 Classification of rolling bearings	A-5
1.3 Characteristics of rolling bearings	A-9
2. Bearing Selection	A-10
2.1 Bearing selection flow chart	A-10
2.2 Type and characteristics	A-12
2.3 Selection of bearing arrangement	A-13
3. Load Rating and Life	A-15
3.1 Bearing life	A-15
3.2 Basic rated life and basic dynamic load rating	A-15
3.3 Machine applications and requisite life ...	A-16
3.4 Adjusted life rating factor	A-16
3.5 Basic static load rating	A-17
3.6 Allowable static equivalent load	A-18
4. Bearing Load Calculation	A-19
4.1 Loads acting on shafts	A-19
4.2 Bearing load distribution	A-21
4.3 Mean load	A-22
4.4 Equivalent load	A-23
4.5 Allowable axial load for cylindrical roller bearings	A-25
4.6 Bearing rated life and load calculation examples	A-26
5. Boundary Dimensions and Bearing Number Codes	A-28
5.1 Boundary dimensions	A-28
5.2 Bearing numbers	A-29
6. Bearing Tolerances	A-33
6.1 Dimensional accuracy and running accuracy	A-33
6.2 Chamfer measurements and tolerance or allowable values of tapered hole	A-44
6.3 Bearing tolerance measurement methods	A-46
7. Bearing Fits	A-47
7.1 Interference	A-47
7.2 The necessity of a proper fit	A-47
7.3 Fit selection	A-47
8. Bearing Internal Clearance and Preload	A-56
8.1 Bearing internal clearance	A-56
8.2 Internal clearance selection	A-56
8.3 Preload	A-64

9. Allowable Speed	A-68	14. Shaft and Housing Design	A-83
10. Friction and Temperature Rise	A-69	14.1 Fixing of bearings	A-83
10.1 Friction	A-69	14.2 Bearing fitting dimensions.....	A-84
10.2 Temperature rise.....	A-69	14.3 Shaft and housing accuracy	A-85
11. Lubrication	A-70	14.4 Allowable bearing misalignment	A-85
11.1 Lubrication of rolling bearings	A-70	15. Bearing Handling	A-86
11.2 Lubrication methods and characteristics	A-70	15.1 Bearing storage	A-86
11.3 Grease lubrication	A-70	15.2 Installation	A-86
11.4 Solid grease (For bearings with solid grease)	A-74	15.3 Internal clearance adjustment	A-88
11.5 Oil lubrication	A-74	15.4 Post installation running test.....	A-90
12. External bearing sealing devices	A-78	15.5 Bearing disassembly	A-90
13. Bearing Materials	A-81	16. Bearing Damage and Corrective Measures	A-93
13.1 Raceway and rolling element materials	A-81	17. Technical data	A-95
13.2 Cage materials.....	A-82	17.1 Deep groove ball bearing radial internal clearances and axial internal clearances	A-95
		17.2 Angular contact ball bearing axial load and axial displacement	A-95
		17.3 Tapered roller bearing axial load and axial displacement	A-97
		17.4 Fitting surface pressure	A-98
		17.5 Necessary press fit and pullout force ...	A-99

1. Classification and Characteristics of Rolling Bearings

1.1 Rolling bearing construction

Most rolling bearings consist of rings with raceway (an inner ring and an outer ring), rolling elements (either balls or rollers) and a rolling element retainer. The retainer separates the rolling elements at regular intervals holds them in place within the inner and outer raceways, and allows them to rotate freely. See **Figs. 1.1 - 1.8**.

Rolling elements come in two general shapes: ball or rollers. Rollers come in four basic styles: cylindrical, needle, tapered, and spherical.

Balls geometrically contact the raceway surfaces of the inner and outer rings at "points", while the contact surface of rollers is a "line" contact.

Theoretically, rolling bearings are so constructed as to allow the rolling elements to rotate orbitally while also rotating on their own axes at the same time.

While the rolling elements and the bearing rings take any load applied to the bearings (at the contact point between the rolling elements and raceway surfaces), the retainer takes no direct load. It only serves to hold the rolling units at equal distances from each other and prevent them from falling out.

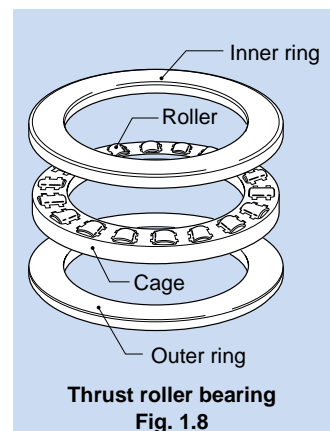
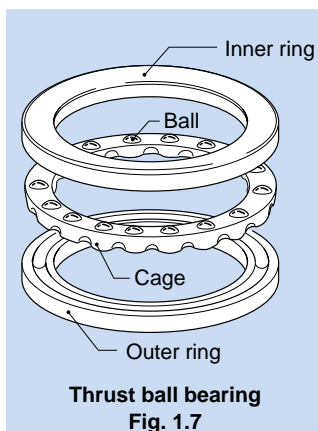
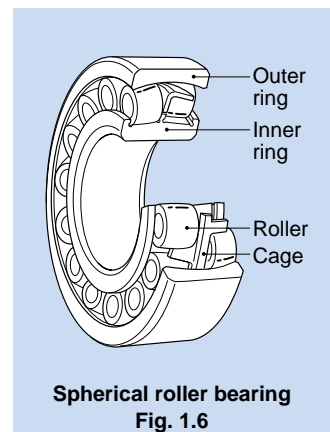
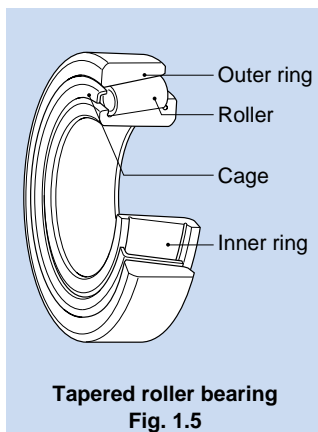
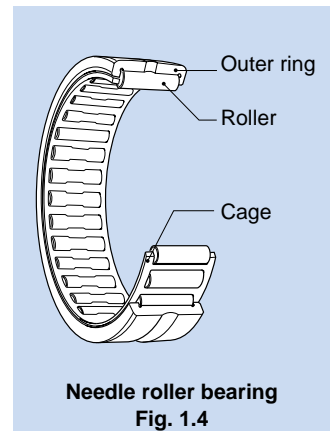
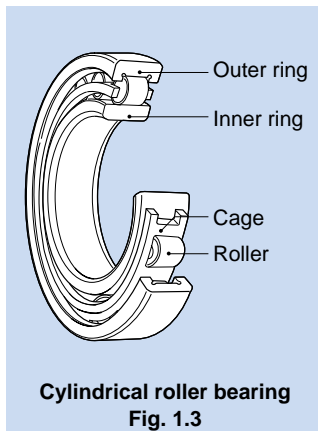
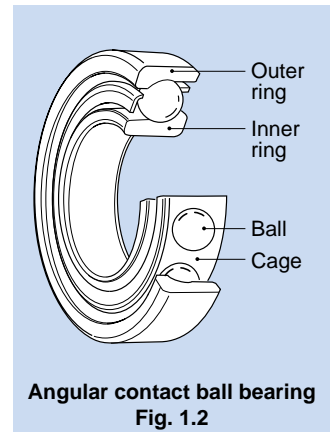
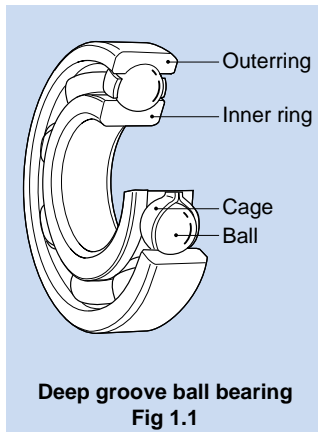
1.2 Classification of rolling bearings

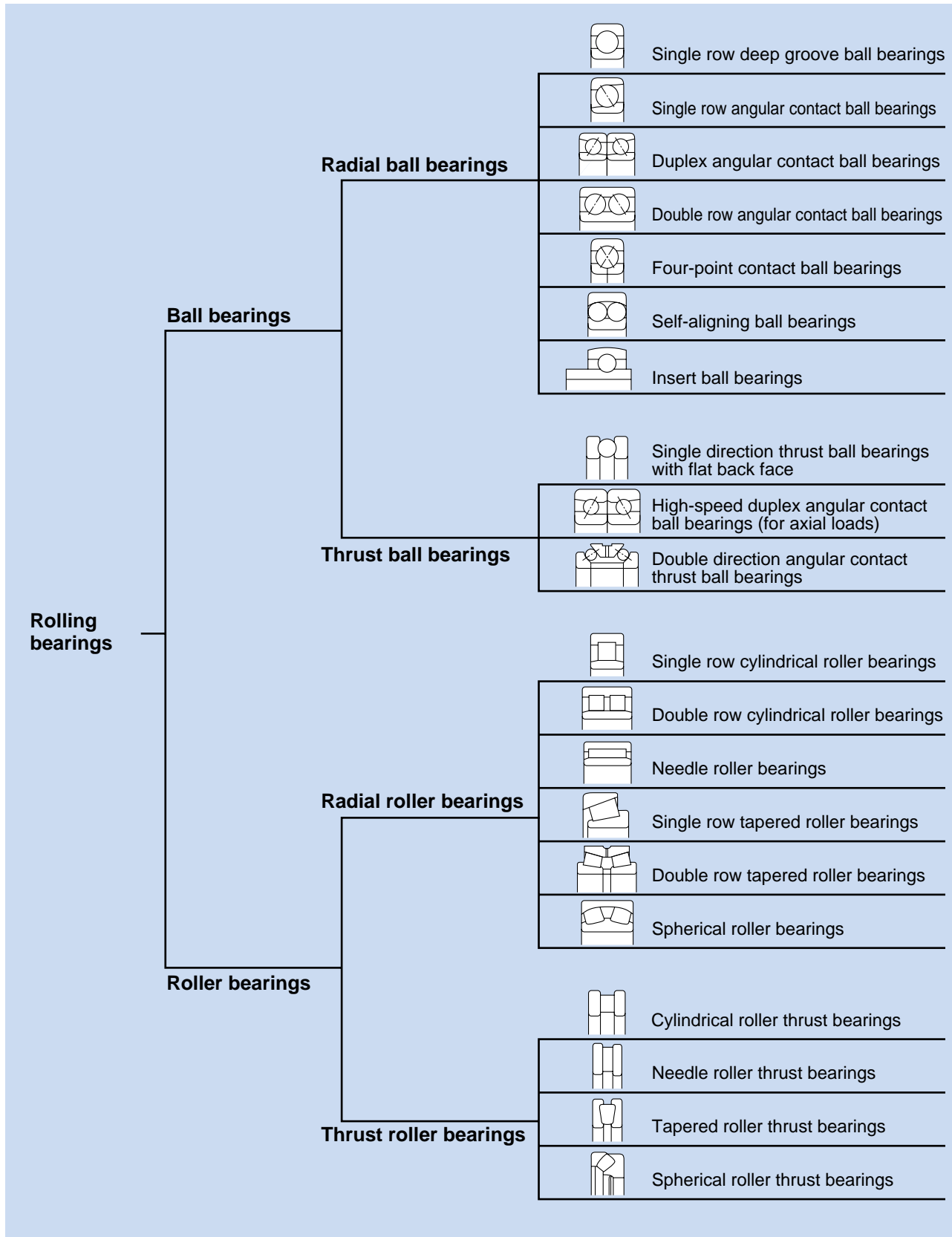
Rolling bearings fall into two main classifications: ball bearings and roller bearings. Ball bearings are classified according to their bearing ring configurations: deep groove, angular contact and thrust types. Roller bearings on the other hand are classified according to the shape of the rollers: cylindrical, needle, taper and spherical.

Rolling bearings can be further classified according to the direction in which the load is applied; radial bearings carry radial loads and thrust bearings carry axial loads.

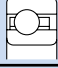
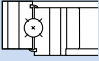

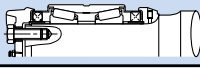
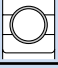
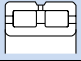

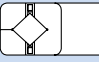
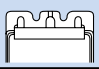
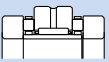
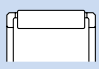
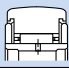
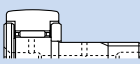
Other classification methods include: 1) number of rolling rows (single, multiple, or 4-row), 2) separable and non-separable, in which either the inner ring or the outer ring can be detached, 3) thrust bearings which can carry axial loads in only one direction, and double direction thrust bearings which can carry loads in both directions.

There are also bearings designed for special applications, such as: railway car journal roller bearings (RCT bearings), ball screw support bearings, turntable bearings, as well as rectilinear motion bearings (linear ball bearings, linear roller bearings and linear flat roller bearings).





Special application bearings

	Ultra thin wall type ball bearings
	Turntable bearings
	Ball screw support bearings
	Railway car journal roller bearings (RCT bearings)
	Ultra-clean vacuum bearings
	SL-type cylindrical roller bearings
	Rubber molded bearings
	Crossed roller thrust bearings
	Clearance adjusting needle roller bearings
	Complex bearings
	Connecting rod cage-equipped needle rollers
	Yoke type track rollers
	Stud type track rollers

Special application bearings are not listed in this catalog.

Linear motion bearings

Linear motion bearings are not listed in this catalog

Fig. 1.9 Classification of rolling bearings

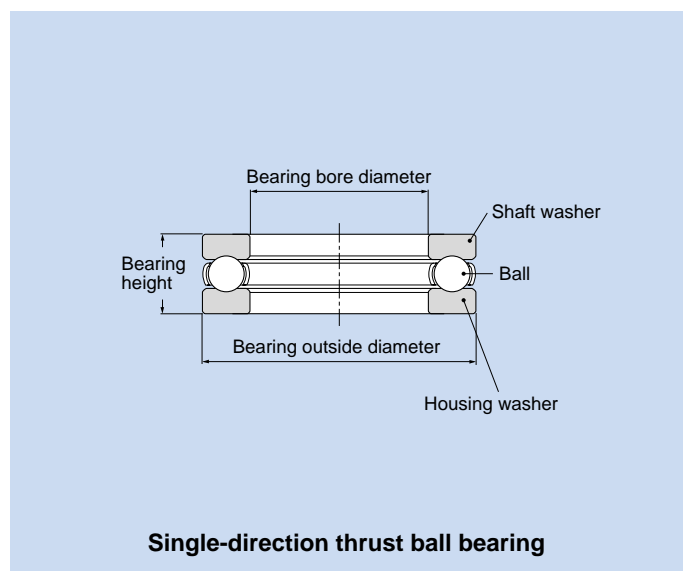
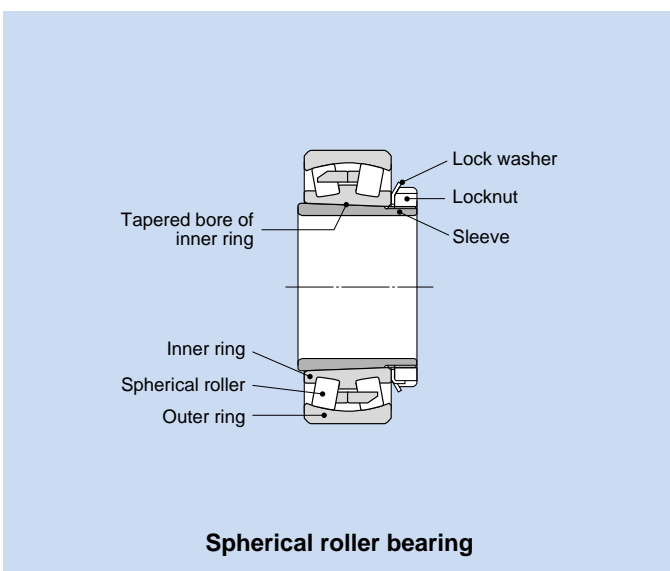
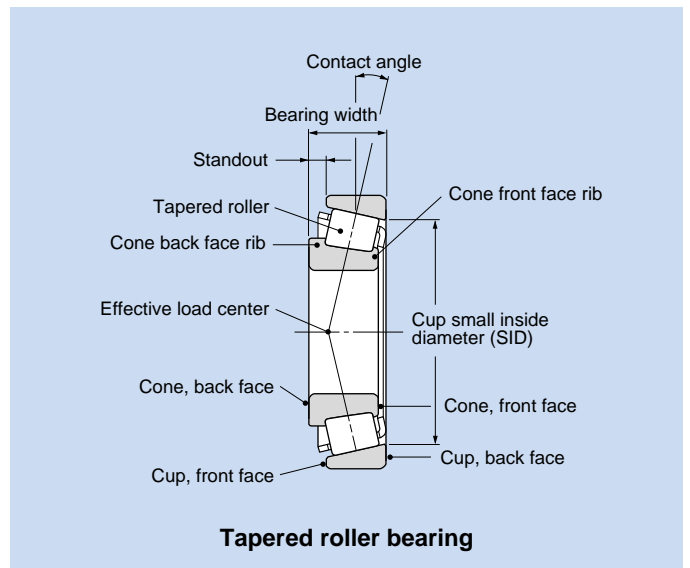
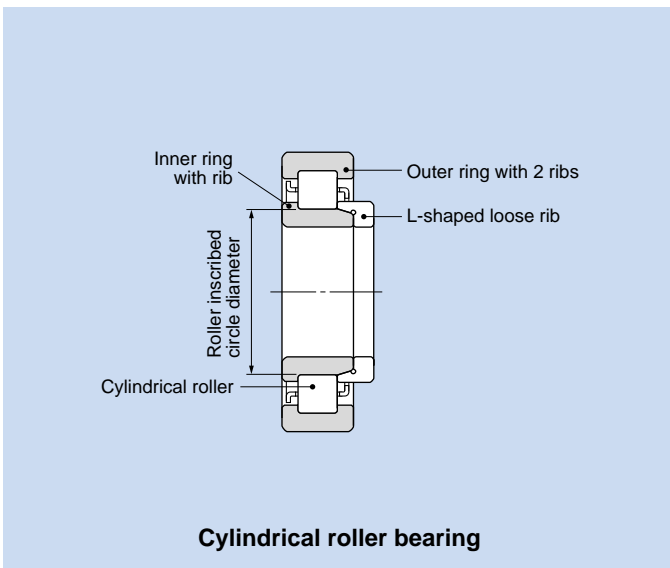
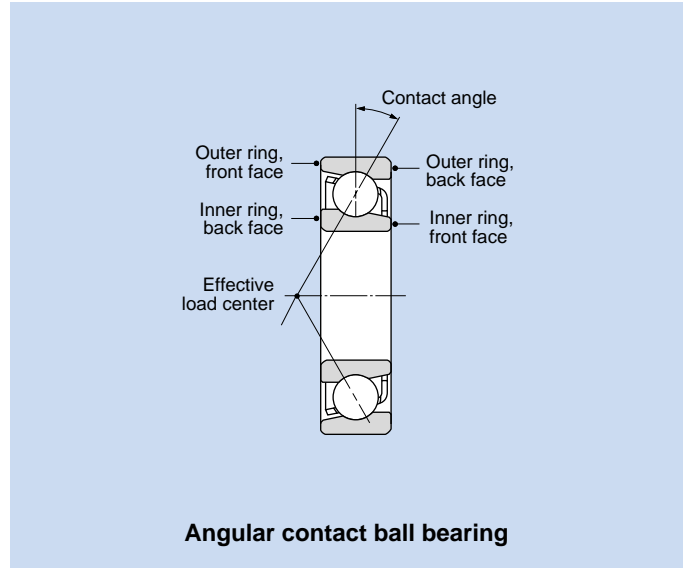
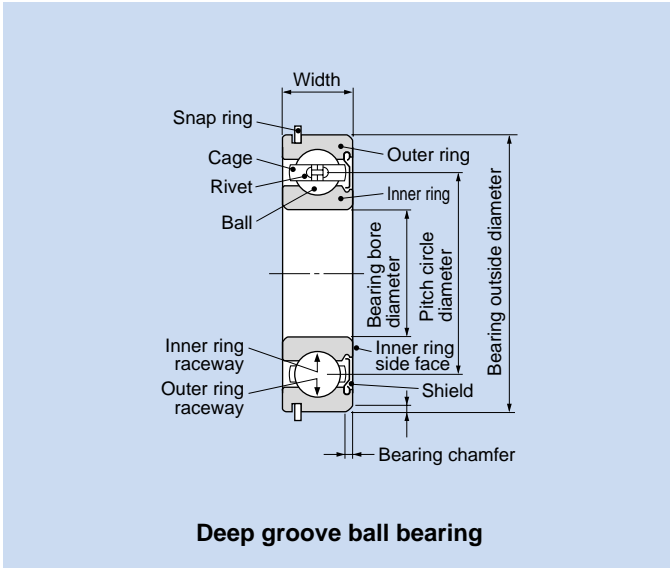


Fig. 1.10 Diagram of representative bearing parts

1.3 Characteristics of rolling bearings

1.3.1 Characteristics of rolling bearings

Rolling bearings come in many shapes and varieties, each with its own distinctive features.

However, when compared with sliding bearings, rolling bearings all have the following advantages:

- (1) The starting friction coefficient is lower and there is little difference between this and the dynamic friction coefficient is produced.
- (2) They are internationally standardized, interchangeable and readily obtainable.
- (3) They are easy to lubricate and consume less lubricant.
- (4) As a general rule, one bearing can carry both radial and axial loads at the same time.
- (5) May be used in either high or low temperature applications.
- (6) Bearing rigidity can be improved by preloading.

Construction, classes, and special features of rolling bearings are fully described in the boundary dimensions and bearing numbering system section.

1.3.2 Ball bearings and roller bearings

Generally speaking, when comparing ball and roller bearings of the same dimensions, ball bearings exhibit a lower frictional resistance and lower face run-out in rotation than roller bearings.

This makes them more suitable for use in applications

which require high speed, high precision, low torque and low vibration. Conversely, roller bearings have a larger load carrying capacity which makes them more suitable for applications requiring long life and endurance for heavy loads and shock loads.

1.3.3 Radial and thrust bearings

Almost all types of rolling bearings can carry both radial and axial loads at the same time.

Generally, bearings with a contact angle of less than 45° have a much greater radial load capacity and are classed as radial bearings; whereas bearings which have a contact angle over 45° have a greater axial load capacity and are classed as thrust bearings. There are also bearings classed as complex bearings which combine the loading characteristics of both radial and thrust bearings.

1.3.4 Standard bearings and special bearings

Bearings which are internationally standardized as to shape and size are much more economical to use, as they are interchangeable and available on a worldwide basis.

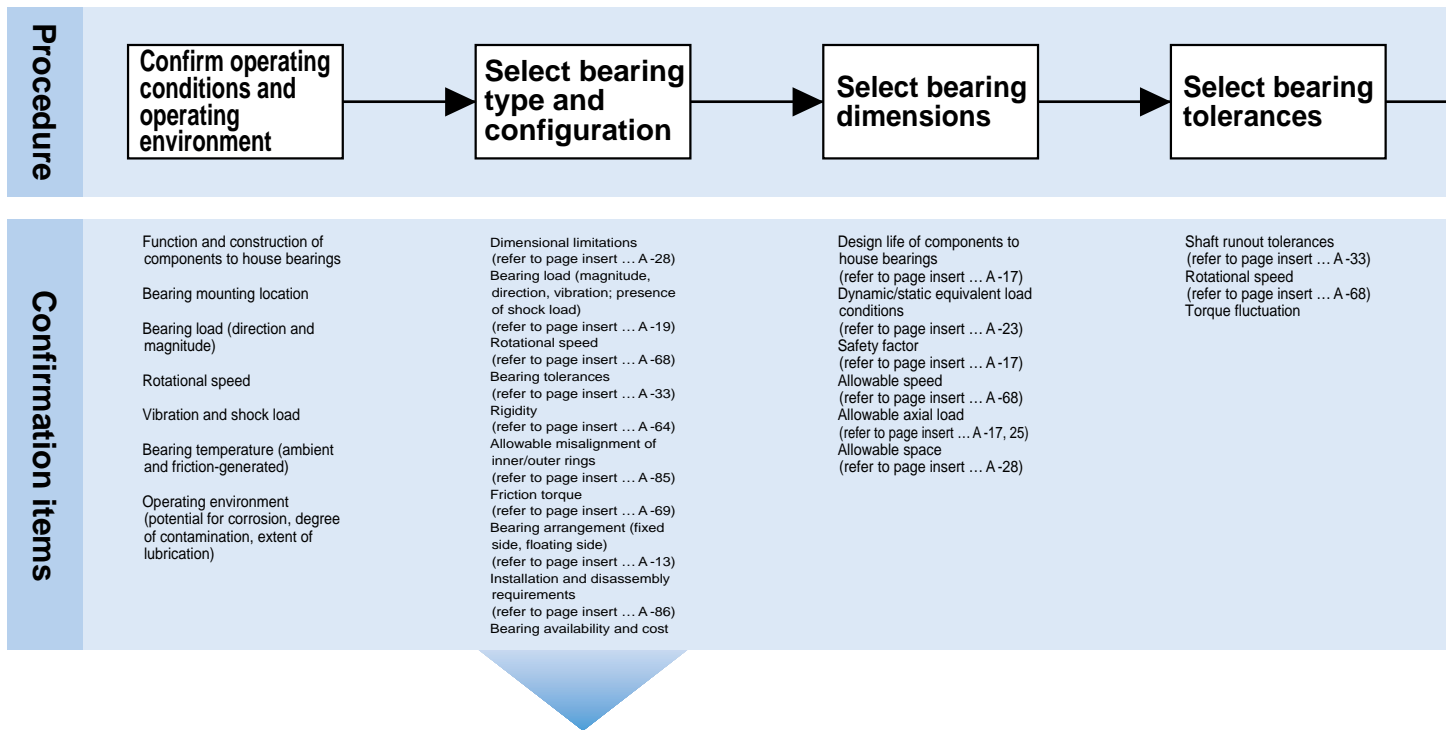
However, depending on the type of machine they are to be used in, and the expected application and function, a non-standard or specially designed bearing may be best to use. Bearings that are adapted to specific applications, and "unit bearings" which are integrated (built-in) into a machine's components, and other specially designed bearings are also available.

2. Bearing Selection

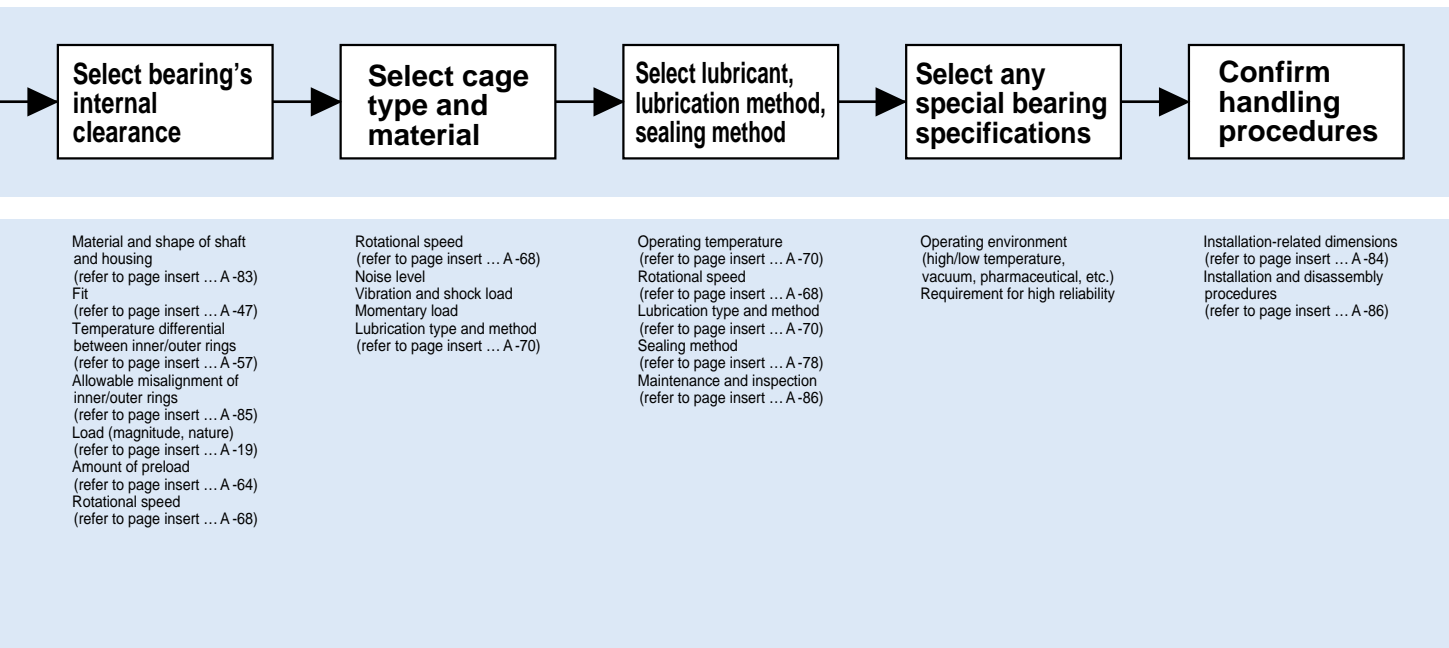
Rolling element bearings are available in a variety of types, configurations, and sizes. When selecting the correct bearing for your application, it is important to consider several factors, such as the calculation of various angles and clearances, which will ensure proper

fit. A comparison of the performance characteristics for each bearing type is shown in **Table 2.1**. As a general guideline, the basic procedure for selecting the most appropriate bearing is shown in the following flow chart.

2.1 Bearing selection flow chart



Selection of bearing type and configuration	(1) Dimensional limitations	(2) Bearing load	(3) Rotational speed	(4) Bearing tolerances	(5) Rigidity
	<p>The allowable space for bearings is typically limited. In most cases, shaft diameter (or the bearing bore diameter) has been determined according to the machine's other design specifications. Therefore, a bearing's type and dimensions are determined according to standard bearing bore diameters. For this reason all dimension tables are organized according to standard bore diameters. There is a wide range of standardized bearing types and dimensions: the right one for a particular application can usually be found in these tables.</p>	<p>The characteristics, magnitude, and direction of loads acting upon a bearing are extremely variable. In general, the basic rated loads shown in bearing dimension tables indicate their load capacity. However, in determining the appropriate bearing type, consideration must also be given to whether the acting load is a radial load only or an axial load only, or combined radial and axial load, etc. When ball and roller bearings within the same dimension series are considered, the roller bearings have a larger load capacity and are also capable of withstanding greater vibration and shock loads.</p>	<p>The allowable speed of a bearing will differ depending upon bearing type, size, tolerances, cage type, load, lubricating conditions, and cooling conditions.</p> <p>The allowable speeds listed in the bearing tables for grease and oil lubrication are for standard NTN bearings. In general, deep groove ball bearings, angular contact ball bearings, and cylindrical roller bearings are most suitable for high speed applications.</p>	<p>The dimensional accuracy and operating tolerances of bearings are regulated by ISO and JIS standards. For equipment requiring high tolerance shaft runout or high speed operation, etc., bearings with Class 5 tolerance or higher are recommended. Deep groove ball bearings, angular contact ball bearings, and cylindrical roller bearings are recommended for high rotational tolerances.</p>	<p>Elastic deformation occurs along the contact surfaces of a bearing's rolling elements and raceway surfaces when under load. With certain types of equipment it is necessary to reduce this deformation as much as</p>



possible. Roller bearings exhibit less elastic deformation than ball bearings, and therefore are recommended for such equipment. Furthermore, in some cases, bearings are given an initial load (preloaded) to increase their shafting rigidity. This procedure is commonly applied to deep groove ball bearings, angular contact ball bearings, and tapered roller bearings.

(6) Misalignment of inner and outer rings

Shaft flexure, variations in shaft or housing accuracy, and fitting errors, etc. result in a certain degree of misalignment between the bearing's inner and outer rings. In cases where the degree of misalignment is likely to be relatively large, self-aligning ball bearings, spherical roller bearings, or bearing units with self-aligning properties are the most appropriate choices. (Refer to **Fig. 2.1**)

(7) Noise and torque levels

Rolling bearings are manufactured and processed according to high precision standards, and therefore generally produce only slight amounts of noise and torque. For applications requiring particularly low-noise or low-torque operation, deep groove ball bearings and cylindrical roller bearings are most appropriate.

(8) Installation and disassembly

Some applications require frequent disassembly and reassembly to enable periodic inspections and repairs. For such applications, bearings with separable inner/outer rings, such as cylindrical roller bearings, needle roller bearings, and tapered roller bearings are most appropriate. Incorporation of adapter sleeves simplifies the installation and disassembly of self-aligning ball bearings and spherical roller bearings with tapered bores.

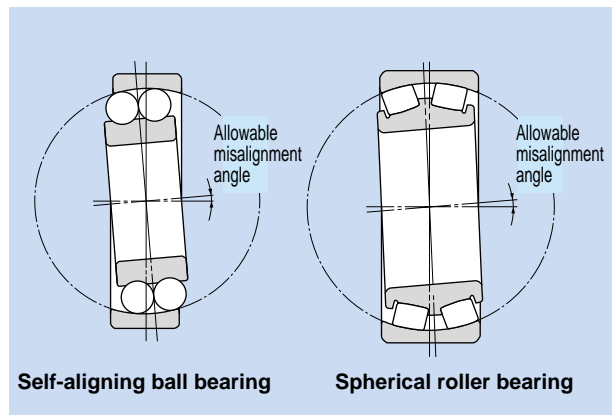


Fig. 2.1

2.2 Type and character is tics

Table 2.1 shows types and characteristics of rolling bearings.

Table 2.1 Types and characteristics of rolling bearings

Bearing types	Deep groove ball bearings	Angular contact ball bearings	Double row angular contact ball bearings	Duplex angular contact ball bearings	Self-aligning ball bearings	Cylindrical roller bearings	Single-flange cylindrical roller bearings	Double-flange cylindrical roller bearings	Double row cylindrical roller bearings
Characteristics									
Load Carrying Capacity									
Axial load									
High speed ¹									
High rotating accuracy ¹									
Low noise/vibration ¹									
Low friction torque ¹									
High rigidity ¹									
Vibration/shock resistance ¹									
Allowable misalignment ¹ for inner/outer rings									
For fixed bearings ²					For DB and DF arrangement				
For floating bearings ³					For DB arrangement				
Non-separable or separable ⁴									
Tapered bore bearings ⁵									
Remarks		For duplex arrangement				NU, N type	NJ, NF type	NUP, NP, NH type	
Reference page	B-5	B-41	B-72	B-41	B-77	B-89	B-89	B-89	B-89

Tapered roller bearings	Multi-row, 4-row tapered roller bearings.	Spherical roller bearings	Thrust ball bearings	Double row angular contact thrust ball bearings	Spherical roller thrust bearings	Reference page	Bearing types
							Characteristics
							Load Carrying Capacity
							Axial load
						A-66	High speed ¹
						A-31	High rotating accuracy ¹
							Low noise/vibration ¹
						A-67	Low friction torque ¹
						A-54	High rigidity ¹
						A-18	Vibration/shock resistance ¹
						A-79	Allowable misalignment ¹ for inner/outer rings
						A-13	For fixed bearings ²
						A-13	For floating bearings ³
							Non-separable or separable ⁴
						A-79	Tapered bore bearings ⁵
For duplex arrangement							Remarks
B-131	B-131	B-229	B-265	B-265	B-265		Reference page

- The number of stars indicate the degree to which that bearing type displays that particular characteristic.
Not applicable to that bearing type.
- Indicates dual direction. Indicates single direction axial movement only.
- Indicates movement at raceway. Indicates movement at mated surface of inner or outer ring.
- Indicates both inner ring and outer ring are detachable.
- Indicates inner ring with tapered bore is possible.

2.3 Selection of bearing arrangement

Shaft assemblies generally require two bearings to support and locate the shaft radially and axially, relative to the stationary housing. These two bearings are called the “fixed-side” and “floating-side” bearings. The fixed-side bearing “fixes” or controls movement of the shaft axially in relation to the housing. The floating-side bearing moves or “floats” axially in relation to the housing and is therefore able to relieve stress caused by the expansion and contraction of the shaft due to temperature fluctuations, and allow for misalignment caused by fitting errors.

Fixed-side bearings have the capacity to receive both axial and radial loads, and therefore a bearing which controls axial movement in both directions should be selected. Floating-side bearings receive only radial loads, and therefore bearings which are mounted to permit free axial movement, or bearings with separable inner and

outer rings are most desirable. Cylindrical roller bearings are generally separable and allow for axial displacement along their raceway surfaces; deep groove ball bearings are non-separable, but can be mounted to allow for displacement along their fitting surfaces.

In applications with short distances between bearings, shaft expansion and contraction due to temperature fluctuations is slight, therefore the same type of bearing may be used for both the fixed-side and floating-side bearing. In such cases it is common to use a set of matching bearings, such as angular contact ball bearings, to guide and support the shaft in one axial direction only.

Table 2.2 (1) shows representative bearing arrangements where the bearing type differs on the fixed side and floating side. **Table 2.2 (2)** shows some common bearing arrangements where no distinction is made between the fixed side and floating side. Vertical shaft bearing arrangements are shown in **Table 2.2 (3)**.

Table 2.2 (1) Bearing arrangement (Fixed and Floating)

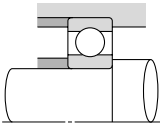
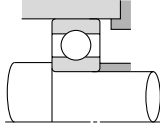
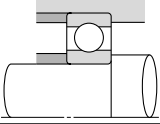
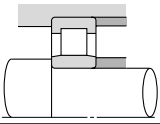
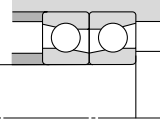
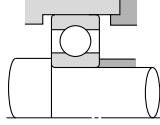
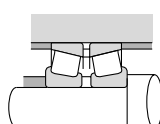
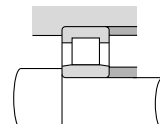
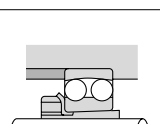
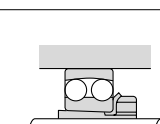
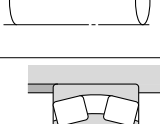
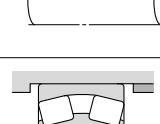
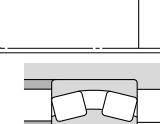
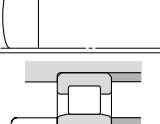
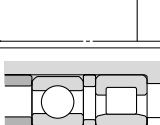
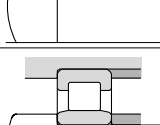
Arrangement		Comment	Application
Fixed	Floating		
		<ol style="list-style-type: none"> 1. General arrangement for small machinery. 2. For radial loads, but will also accept axial loads. 3. Preloading by springs or shims on outer ring face. 	Small pumps, small electric motors, auto-mobile transmissions, etc.
		<ol style="list-style-type: none"> 1. Suitable for high speed. Widely used. 2. Even with expansion and contraction of shaft, non-fixing side moves smoothly. 	Medium-sized electric motors, ventilators, etc.
		<ol style="list-style-type: none"> 1. Radial loading plus dual direction axial loading possible. 2. In place of duplex angular contact ball bearings, double-row angular contact ball bearings are also used. 	Wormgear speed reducers, etc.
		<ol style="list-style-type: none"> 1. Heavy loading capable. 2. Shafting rigidity increased by preloading the two back-to-back fixed bearings. 3. Requires high precision shafts and housings, and minimal fitting 	Machine tool spindles, etc.
		<ol style="list-style-type: none"> 1. Allows for shaft deflection and fitting errors. 2. By using an adaptor on long shafts without screws or shoulders, bearing mounting and dismounting can be facilitated. 3. Not suitable for axial load applications. 	Counter shafts for general industrial equipment, etc.
		<ol style="list-style-type: none"> 1. Widely used in general industrial machinery with heavy and shock load demands. 2. Allows for shaft deflection and fitting errors. 3. Accepts radial loads as well as dual direction axial loads. 	Reduction gears for general industrial equipment, etc.
		<ol style="list-style-type: none"> 1. Widely used in general industrial machinery with heavy and shock loading. 2. Radial and dual directional axial loading. 	Industrial machinery reduction gears. etc.
		<ol style="list-style-type: none"> 1. Capable of handling large radial and axial loads at high rotational speeds. 2. Maintains clearance between the bearing's outer diameter and housing inner diameter to prevent deep groove ball bearings from receiving radial loads. 	Diesel locomotives, etc.

Table 2.2 (2) Bearing arrangement (Placed oppositely)

Arrangement	Comment	Application
	<p>General arrangement for use in small machines.</p>	<p>Small electric motors, small reduction gears, etc.</p>
	<ol style="list-style-type: none"> 1. This type of back-to-back arrangement well suited for moment loads. 2. Preloading increases shaft rigidity. 3. High speed reliable. 	<p>Spindles of machine tools, etc.</p>
	<ol style="list-style-type: none"> 1. Accepts heavy loading. 2. Suitable if inner and outer ring shrink-fit is required. 3. Care must be taken that axial clearance does not become too small during operation. 	<p>Construction equipment, mining equipment sheaves, agitators, etc.</p>
<p>Back to back</p> <p>Face to face</p>	<ol style="list-style-type: none"> 1. Withstands heavy and shock loads. Wide range application. 2. Shafting rigidity increased by preloading. 3. Back-to-back arrangement for moment loads, and face-to-face arrangement to alleviate fitting errors. 4. With face-to-face arrangement, inner ring shrink-fit is facilitated. 	<p>Reduction gears, automotive axles, etc.</p>

Table 2.2 (3) Bearing arrangement (Vertical shaft)

Arrangement	Comment	Application
	<p>When fixing bearing is a duplex angular contact ball bearing, non-fixing bearing is a cylindrical roller bearing.</p>	<p>Machine tool spindles, vertical mounted electric motors, etc.</p>
	<ol style="list-style-type: none"> 1. Most suitable arrangement for very heavy axial loads. 2. Depending on the relative alignment of the spherical surface of the rollers in the upper and lower bearings, shaft deflection and fitting errors can be absorbed. 3. Lower self-aligning spherical roller thrust bearing pre-load is possible. 	<p>Crane center shafts, etc.</p>

3. Load Rating and Life

3.1 Bearing life

Even in bearings operating under normal conditions, the surfaces of the raceway and rolling elements are constantly being subjected to repeated compressive stresses which causes flaking of these surfaces to occur. This flaking is due to material fatigue and will eventually cause the bearings to fail. The effective life of a bearing is usually defined in terms of the total number of revolutions a bearing can undergo before flaking of either the raceway surface or the rolling element surfaces occurs.

Other causes of bearing failure are often attributed to problems such as seizing, abrasions, cracking, chipping, gnawing, rust, etc. However, these so called "causes" of bearing failure are usually themselves caused by improper installation, insufficient or improper lubrication, faulty sealing or inaccurate bearing selection. Since the above mentioned "causes" of bearing failure can be avoided by taking the proper precautions, and are not simply caused by material fatigue, they are considered separately from the flaking aspect.

3.2 Basic rating life and basic dynamic load rating

A group of seemingly identical bearings when subjected to identical load and operating conditions will exhibit a wide diversity in their durability.

This "life" disparity can be accounted for by the difference in the fatigue of the bearing material itself. This disparity is considered statistically when calculating bearing life, and the basic rating life is defined as follows.

The basic rating life is based on a 90% statistical model which is expressed as the total number of revolutions 90% of the bearings in an identical group of bearings subjected to identical operating conditions will attain or surpass before flaking due to material fatigue occurs. For bearings operating at fixed constant speeds, the basic rating life (90% reliability) is expressed in the total number of hours of operation.

The basic dynamic load rating is an expression of the load capacity of a bearing based on a constant load which the bearing can sustain for one million revolutions (the basic life rating). For radial bearings this rating applies to pure radial loads, and for thrust bearings it refers to pure axial loads. The basic dynamic load ratings given in the bearing tables of this catalog are for bearings constructed of NTN standard bearing materials, using standard manufacturing techniques. Please consult NTN Engineering for basic load ratings of bearings constructed of special materials or using special manufacturing techniques.

The relationship between the basic rating life, the basic dynamic load rating and the bearing load is given in formula (3.1).

$$L_{10} = \left(\frac{C}{P} \right)^p \dots\dots\dots (3.1)$$

where,

$p = 3$For ball bearings

$p = 10/3$For roller bearings

L_{10} : Basic rating life 10^6 revolutions

C : Basic dynamic rating load, N

(C_r : radial bearings, C_a : thrust bearings)

P : Equivalent dynamic load, N

(P_r : radial bearings, P_a : thrust bearings)

The basic rating life can also be expressed in terms of hours of operation (revolution), and is calculated as shown in formula (3.2).

$$L_{10h} = 500 f_n^p \dots\dots\dots (3.2)$$

$$f_n = f_n \frac{C}{P} \dots\dots\dots (3.3)$$

$$f_n = \left(\frac{33.3}{n} \right)^{1/p} \dots\dots\dots (3.4)$$

where,

L_{10h} : Basic rating life, h

f_h : Life factor

f_n : Speed factor

n : Rotational speed, r/ min

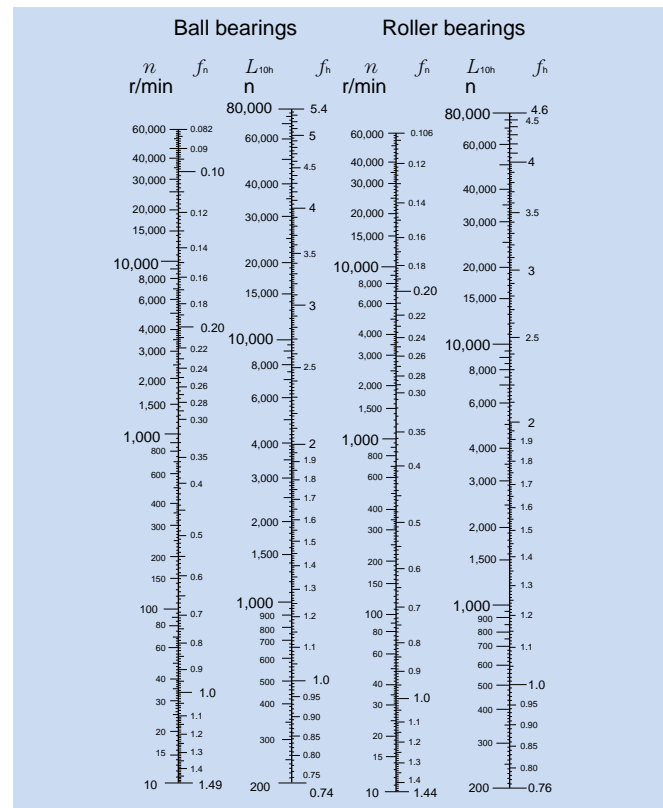


Fig. 3.1 Bearing life rating scale

Formula (3.2) can also be expressed as shown in formula (3.5).

$$L_{10h} = \frac{10^6}{60n} \left(\frac{C}{P} \right)^p \dots \quad (3.5)$$

The relation ship between Rotational speed n and speed factor f_n as well as the relation between the basic rating life L_{10h} and the life factor f_n is shown in **Fig. 3.1**.

When several bearings are incorporated in machines or equipment as complete units, all the bearings in the unit are considered as a whole when computing bearing life (see formula 3.6). The total bearing life of the unit is a life rating based on the viable lifetime of the unit before even one of the bearings fails due to rolling contact fatigue.

$$L = \frac{1}{\left(\frac{1}{L_1^e} + \frac{1}{L_2^e} + \dots + \frac{1}{L_n^e} \right)^{1/e}} \dots \dots \dots (3.6)$$

where,

$e = 10/9$For ball bearings

$e = 9/8$For roller bearings

L : Total basic rating life of entire unit, h

$L_1, L_2 \dots L_n$: Basic rating life of individual bearings, 1, 2, ...n, h

When the load conditions vary at regular intervals, the life can be given by formula (3.7).

$$L_m = \left(\sum_j \frac{1}{L_j} \right)^{-1} \dots \dots \dots (3.7)$$

where,

f_j : Frequency of individual load conditions

L_j : Life under individual conditions

3.3 Machine applications and requisite life

When selecting a bearing, it is essential that the requisite life of the bearing be established in relation to the operating conditions. The requisite life of the bearing is usually determined by the type of machine in which the bearing will be used, and duration of service and operational reliability requirements. A general guide to these requisite life criteria is shown in **Table 3.1**. When determining bearing size, the fatigue life of the bearing is an important factor; however, besides bearing life, the strength and rigidity of the shaft and housing must also be taken into consideration.

3.4 Adjusted life rating factor

The basic bearing life rating (90% reliability factor) can be calculated through the formulas mentioned earlier in Section 5.2. However, in some applications a bearing life factor of over 90% reliability may be required. To meet these requirements, bearing life can be lengthened by the use of specially improved bearing materials or special construction techniques. Moreover, according to elasto-hydrodynamic lubrication theory, it is clear that the bearing operating conditions (lubrication, temperature, speed, etc.) all exert an effect on bearing life. All these adjustment factors are taken into consideration when calculating bearing life, and using the life adjustment factor as prescribed in ISO 281, the adjusted bearing life can be determined.

$$L_{na} = a_1 \cdot a_2 \cdot a_3 \cdot \left(\frac{C}{P} \right)^p \dots \quad (3.8)$$

Table 3.1 Machine application and requisite life

Service classification	Life factor and machine application L_{10h}				
	~4	4 ~12	12 ~30	30 ~60	$\times 10^3$ h 60 ~
Machines used for short periods or used only occasionally	<ul style="list-style-type: none"> • Electric hand tools • Household appliances 	<ul style="list-style-type: none"> • Farm machinery • Office equipment 			
Short period or intermittent use, but with high reliability requirements	<ul style="list-style-type: none"> • Medical appliances • Measuring instruments 	<ul style="list-style-type: none"> • Home air-conditioning motor • Construction equipment • Elevators • Cranes 	<ul style="list-style-type: none"> • Crane (sheaves) 		
Machines not in constant use, but used for long periods	<ul style="list-style-type: none"> • Automobiles • Two-wheeled vehicles 	<ul style="list-style-type: none"> • Small motors • Buses/trucks • Drivers • Woodworking machines 	<ul style="list-style-type: none"> • Machine spindles • Industrial motors • Crushers • Vibrating screens 	<ul style="list-style-type: none"> • Main gear drives • Rubber/plastic • Calender rolls • Printing machines 	
Machines in constant use over 8 hours a day		<ul style="list-style-type: none"> • Rolling mills • Escalators • Conveyors • Centrifuges 	<ul style="list-style-type: none"> • Railway vehicle axles • Air conditioners • Large motors • Compressor pumps 	<ul style="list-style-type: none"> • Locomotive axles • Traction motors • Mine hoists • Pressed flywheels 	<ul style="list-style-type: none"> • Papermaking machines • Propulsion equipment for marine vessels
24 hour continuous operation, non-interruptable					<ul style="list-style-type: none"> • Water supply equipment • Mine drain pumps/ventilators • Power generating equipment

where,

- L_{na} : Adjusted life rating in millions of revolutions (10^6)(adjusted for reliability, material and operating conditions)
- a_1 : Reliability adjustment factor
- a_2 : Material adjustment factor
- a_3 : Operating condition adjustment factor

3.4.1 Life adjustment factor for reliability a_1

The values for the reliability adjustment factor a_1 (for a reliability factor higher than 90%) can be found in **Table 3.2**.

Table 3.2 Reliability adjustment factor values a_1

Reliability %	L_n	Reliability factor a_1
90	L_{10}	1.00
95	L_5	0.62
96	L_4	0.53
97	L_3	0.44
98	L_2	0.33
99	L_1	0.21

3.4.2 Life adjustment factor for material a_2

The life of a bearing is affected by the material type and quality as well as the manufacturing process. In this regard, the life is adjusted by the use of an a_2 factor.

The basic dynamic load ratings listed in the catalog are based on NTN's standard material and process, therefore, the adjustment factor $a_2=1$. When special materials or processes are used the adjustment factor can be larger than 1.

NTN bearings can generally be used up to 120°C. If bearings are operated at a higher temperature, the bearing must be specially heat treated (stabilized) so that inadmissible dimensional change does not occur due to changes in the micro-structure. This special heat treatment might cause the reduction of bearing life because of a hardness change.

3.4.3 Life adjustment factor a_3 for operating conditions

The operating conditions life adjustment factor a_3 is used to adjust for such conditions as lubrication, operating temperature, and other operation factors which have an effect on bearing life.

Generally speaking, when lubricating conditions are satisfactory, the a_3 factor has a value of one; and when lubricating conditions are exceptionally favorable, and all other operating conditions are normal, a_3 can have a value greater than one.

However, when lubricating conditions are particularly unfavorable and the oil film formation on the contact surfaces of the raceway and rolling elements is insufficient, the value of a_3 becomes less than one. This

insufficient oil film formation can be caused, for example, by the lubricating oil viscosity being too low for the operating temperature (below 13 mm²/s for ball bearings; below 20 mm²/s for roller bearings); or by exceptionally low rotational speed ($n r/min \times d_p mm$ less than 10,000). For bearings used under special operating conditions, please consult NTN Engineering.

As the operating temperature of the bearing increases, the hardness of the bearing material decreases. Thus, the bearing life correspondingly decreases. The operating temperature adjustment values are shown in **Fig. 3.2**.

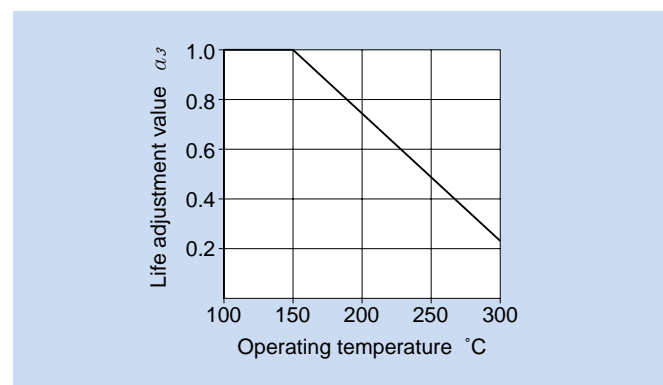


Fig. 3.2 Life adjustment value for operating temperature

3.5 Basic static load rating

When stationary rolling bearings are subjected to static loads, they suffer from partial permanent deformation of the contact surfaces at the contact point between the rolling elements and the raceway. The amount of deformity increases as the load increases, and if this increase in load exceeds certain limits, the subsequent smooth operation of the bearings is impaired.

It has been found through experience that a permanent deformity of 0.0001 times the diameter of the rolling element, occurring at the most heavily stressed contact point between the raceway and the rolling elements, can be tolerated without any impairment in running efficiency.

The basic rating static load refers to a fixed static load limit at which a specified amount of permanent deformation occurs. It applies to pure radial loads for radial bearings and to pure axial loads for thrust bearings. The maximum applied load values for contact stress occurring at the rolling element and raceway contact points are given below.

- For ball bearings (except self-aligning ball bearings) 4,200 Mpa
- For self-aligning ball bearings 4,600 Mpa
- For roller bearings 4,000 Mpa

3.6 Allowable static equivalent load

Generally the static equivalent load which can be permitted (See Section 4.4.2 page A-23) is limited by the basic static rating load as stated in **Section 5.5**. However, depending on requirements regarding friction and smooth operation, these limits may be greater or lesser than the basic static rating load.

In the following formula (3.9) and **Table 3.4** the safety factor S_0 can be determined considering the maximum static equivalent load.

$$S_0 = C_0 / P_{0max} \quad (3.9)$$

where,

S_0 : Safety factor

C_0 : Basic static rating load, N

(radial bearings: C_{or} , thrust bearings: C_{oa})

P_{0max} : Maximum static equivalent load, N

(radial: $P_{or max}$, thrust: $C_{oa max}$)

Table 3.4 Minimum safety factor values S_0

Operating conditions	Ball bearings	Roller bearings
High rotational accuracy demand	2	3
Normal rotating accuracy demand (Universal application)	1	1.5
Slight rotational accuracy deterioration permitted (Low speed, heavy loading, etc.)	0.5	1

Note 1: For spherical thrust roller bearings, min. S_0 value=4.

2: For shell needle roller bearings, min. S_0 value=3.

3: When vibration and/or shock loads are present, a load factor based on the shock load needs to be included in the P_{0max} value.

4. Bearing Load Calculation

To compute bearing loads, the forces which act on the shaft being supported by the bearing must be determined. These forces include the inherent dead weight of the rotating body (the weight of the shafts and components themselves), loads generated by the working forces of the machine, and loads arising from transmitted power.

It is possible to calculate theoretical values for these loads; however, there are many instances where the load acting on the bearing is usually determined by the nature of the load acting on the main power transmission shaft.

4.1 Load acting on shafts

4.1.1 Load factor

There are many instances where the actual operational shaft load is much greater than the theoretically calculated load, due to machine vibration and/or shock. This actual shaft load can be found by using formula (4.1).

$$K = f_w \cdot K_c \quad \dots\dots\dots (4.1)$$

where,

K : Actual shaft load N { kgf }

f_w : Load factor (**Table 4.1**)

K_c : Theoretically calculated value N { kgf }

4.1.2 Gear load

The loads operating on gears can be divided into three main types according to the direction in which the load is applied; i.e. tangential (K_t), radial (K_s), and axial (K_a). The magnitude and direction of these loads differ according to the types of gears involved. The load calculation methods given herein are for two general-use gear and shaft arrangements: parallel shaft gears, and cross shaft gears. For load calculation methods regarding other types of gear and shaft arrangements, please consult NTN Engineering.

(1) Loads acting on parallel shaft gears

The forces acting on spur and helical parallel shaft gears are depicted in **Figs. 4.1, 4.2, and 4.3**. The load magnitude can be found by using or formulas (4.2), through (4.4).

$$K_t = \frac{19.1 \times 10^6 \cdot H}{D_p \cdot n} \quad \text{N} \quad \left. \begin{array}{l} \\ \\ \end{array} \right\} \dots\dots (4.2)$$

$$= \frac{1.95 \times 10^6 \cdot H}{D_p \cdot n} \quad \text{{ kgf } }$$

$$K_s = K_t \cdot \tan \quad (\text{Spur gear}) \quad \dots\dots\dots (4.2a)$$

$$= K_t \cdot \frac{\tan}{\cos} \quad (\text{Helical gear}) \quad \dots\dots (4.2b)$$

$$K_r = \sqrt{K_t^2 + K_s^2} \quad \dots\dots\dots (4.3)$$

$$K_a = K_t \cdot \tan \quad (\text{Helical gear}) \quad \dots\dots (4.4)$$

where,

K_t : Tangential gear load (tangential force), N

K_s : Radial gear load (separating force), N

K_r : Right angle shaft load (resultant force of tangential force and separating force), N

K_a : Parallel load on shaft, N

H : Transmission force, kW

n : Rotational speed, r/min

D_p : Gear pitch circle diameter, mm

: Gear pressure angle

: Gear helix angle

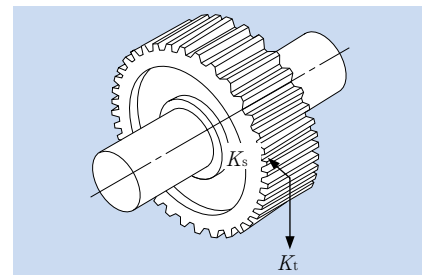


Fig. 4.1 Spur gear loads

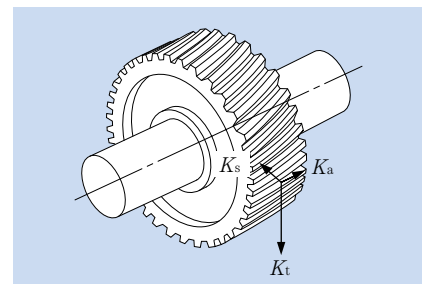


Fig. 4.2 Helical gear loads

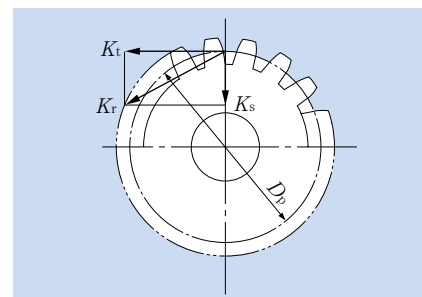


Fig. 4.3 Radial resultant forces

Table 4.1 Load factor f_w

Amount of shock	f_w	Application
Very little or no shock	1.0 ~ 1.2	Electric machines, machine tools, measuring instruments.
Light shock	1.2 ~ 1.5	Railway vehicles, automobiles, rolling mills, metal working machines, paper making machines, rubber mixing machines, printing machines, aircraft, textile machines, electrical units, office machines.
Heavy shock	1.5 ~ 3.0	Crushers, agricultural equipment, construction equipment, cranes.

Because the actual gear load also contains vibrations and shock loads as well, the theoretical load obtained by the above formula should also be adjusted by the gear factor f_z as shown in **Table 4.2**.

Table 4.2 Gear factor f_z

Gear type	f_z
Precision ground gears (Pitch and tooth profile errors of less than 0.02 mm)	1.05 ~1.1
Ordinary machined gears (Pitch and tooth profile errors of less than 0.1 mm)	1.1 ~1.3

(2) Loads acting on cross shafts

Gear loads acting on straight tooth bevel gears and spiral bevel gears on cross shafts are shown in **Figs. 4.4** and **4.5**. The calculation methods for these gear loads are shown in **Table 4.3**. Herein, to calculate gear loads for straight bevel gears, the helix angle $\beta = 0$.

The symbols and units used in **Table 4.3** are as follows:

- K_t : Tangential gear load (tangential force), N
- K_s : Radial gear load (separating force), N
- K_a : Parallel shaft load (axial load), N
- H : Transmission force, kW
- n : Rotational speed, r/min
- D_{pm} : Mean pitch circle diameter, mm
- δ : Gear pressure angle
- β : Helix angle
- γ : Pitch cone angle

In general, the relationship between the gear load and the pinion gear load, due to the right angle intersection of the two shafts, is as follows:

$$K_{sp} = K_{ag} \dots \dots \dots (4.5)$$

$$K_{ap} = K_{sg} \dots \dots \dots (4.6)$$

where,

K_{sp}, K_{sg} : Pinion and gear separating force, N

K_{ap}, K_{ag} : Pinion and gear axial load, N

For spiral bevel gears, the direction of the load varies depending on the direction of the helix angle, the direction of rotation, and which side is the driving side or the driven side. The directions for the separating force (K_s) and axial load (K_a) shown in **Fig. 4.5** are positive directions. The direction of rotation and the helix angle direction are defined as viewed from the large end of the gear. The gear rotation direction in **Fig. 4.5** is assumed to be clockwise (right).

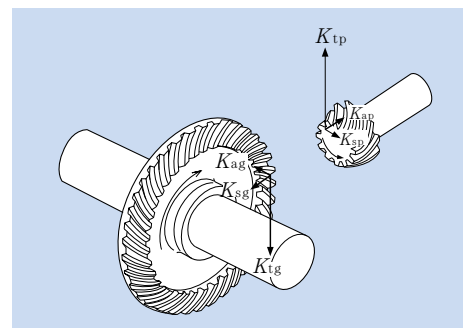


Fig. 4.4 Loads on bevel gears

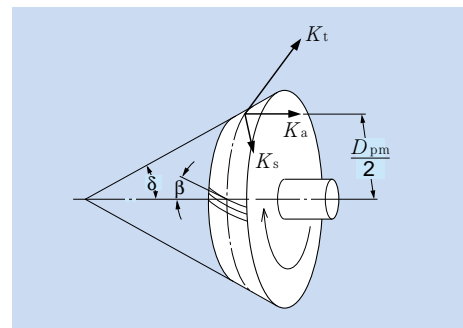


Fig. 4.5 Bevel gear diagram

Table 4.3 Loads acting on bevel gears

Unit N

Pinion	Rotation direction	Clockwise	Counter clockwise	Clockwise	Counter clockwise
	Helix direction	Right	Left	Left	Right
Tangential load K_t		$K_t = \frac{19.1 \times 10^6 \cdot H}{D_{pm} \cdot n}, \left\{ \frac{1.95 \times 10^6 \cdot H}{D_{pm} \cdot n} \right\}$			
Separating force K_s	Driving side	$K_s = K_t \left[\tan \frac{\cos}{\cos} + \tan \sin \right]$	$K_s = K_t \left[\tan \frac{\cos}{\cos} - \tan \sin \right]$	$K_s = K_t \left[\tan \frac{\cos}{\cos} - \tan \sin \right]$	$K_s = K_t \left[\tan \frac{\cos}{\cos} + \tan \sin \right]$
	Driven side	$K_s = K_t \left[\tan \frac{\cos}{\cos} - \tan \sin \right]$	$K_s = K_t \left[\tan \frac{\cos}{\cos} + \tan \sin \right]$	$K_s = K_t \left[\tan \frac{\cos}{\cos} + \tan \sin \right]$	$K_s = K_t \left[\tan \frac{\cos}{\cos} - \tan \sin \right]$
Axial load K_a	Driving side	$K_a = K_t \left[\tan \frac{\sin}{\cos} - \tan \cos \right]$	$K_a = K_t \left[\tan \frac{\sin}{\cos} + \tan \cos \right]$	$K_a = K_t \left[\tan \frac{\sin}{\cos} + \tan \cos \right]$	$K_a = K_t \left[\tan \frac{\sin}{\cos} - \tan \cos \right]$
	Driven side	$K_a = K_t \left[\tan \frac{\sin}{\cos} + \tan \cos \right]$	$K_a = K_t \left[\tan \frac{\sin}{\cos} - \tan \cos \right]$	$K_a = K_t \left[\tan \frac{\sin}{\cos} - \tan \cos \right]$	$K_a = K_t \left[\tan \frac{\sin}{\cos} + \tan \cos \right]$

4.1.2 Chain / belt shaft load

The tangential loads on sprockets or pulleys when power (load) is transmitted by means of chains or belts can be calculated by formula (4.7).

$$K_t = \frac{19.1 \times 10^6 \cdot H}{D_p \cdot n} \quad \text{N} \quad \dots\dots\dots (4.7)$$

$$= \frac{1.95 \times 10^6 \cdot H}{D_p \cdot n} \quad \{ \text{kgf} \}$$

where,

- K_t : Sprocket/pulley tangential load, N
- H : Transmitted force, kW
- D_p : Sprocket/pulley pitch diameter, mm

For belt drives, an initial tension is applied to give sufficient constant operating tension on the belt and pulley. Taking this tension into account, the radial loads acting on the pulley are expressed by formula (4.8). For chain drives, the same formula can also be used if vibrations and shock loads are taken into consideration.

$$K_r = f_b \cdot K_t \dots (4.8)$$

where,

- K_r : Sprocket or pulley radial load, N
- f_b : Chain or belt factor (Table 4.3)

Table 4.4 chain or belt factor f_b

Chain or belt type	f_b
Chain (single)	1.2 ~ 1.5
V-belt	1.5 ~ 2.0
Timing belt	1.1 ~ 1.3
Flat belt (w / tension pulley)	2.5 ~ 3.0
Flat belt	3.0 ~ 4.0

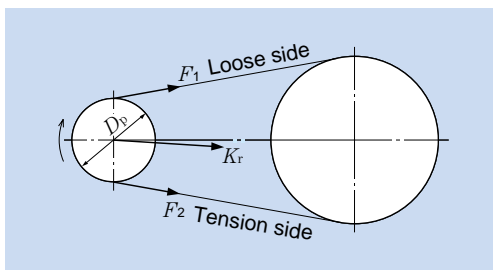


Fig. 4.6 Chain / belt loads

4.2 Bearing load distribution

For shafting, the static tension is considered to be supported by the bearings, and any loads acting on the shafts are distributed to the bearings.

For example, in the gear shaft assembly depicted in Fig. 4.7, the applied bearing loads can be found by using formulas (4.10) and (4.11).

$$F_{rA} = \frac{a+b}{b} F_I + \frac{d}{c+d} F_{II} \dots\dots\dots (4.10)$$

$$F_{rB} = - \frac{a}{b} F_I + \frac{c}{c+d} F_{II} \dots\dots\dots (4.11)$$

where,

- F_{rA} : Radial load on bearing A, N
- F_{rB} : Radial load on bearing B, N
- F_I, F_{II} : Radial load on shaft, N

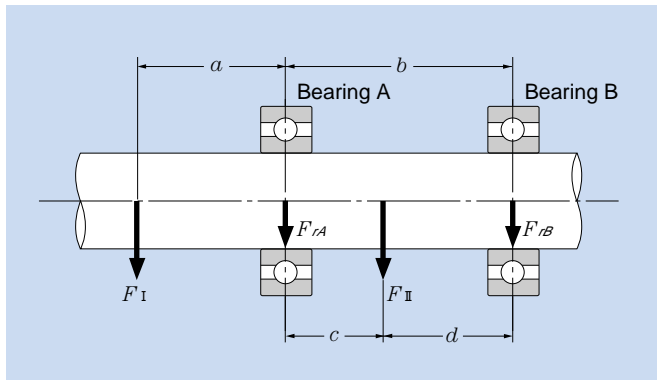


Fig. 4.7 Gear shaft

4.3 Mean load

The load on bearings used in machines under normal circumstances will, in many cases, fluctuate according to a fixed time period or planned operation schedule. The load on bearings operating under such conditions can be converted to a mean load (F_m), this is a load which gives bearings the same life they would have under constant operating conditions.

(1) Fluctuating stepped load

The mean bearing load, F_m , for stepped loads is calculated from formula (4.12). F_1, F_2, \dots, F_n are the loads acting on the bearing; n_1, n_2, \dots, n_n and t_1, t_2, \dots, t_n are the bearing speeds and operating times respectively.

$$F_m = \left[\frac{(F_i^p n_i t_i)}{(n_i t_i)} \right]^{1/p} \dots \dots \dots (4.12)$$

where:

- $p = 3$ For ball bearings
- $p = 10/3$ For roller bearings

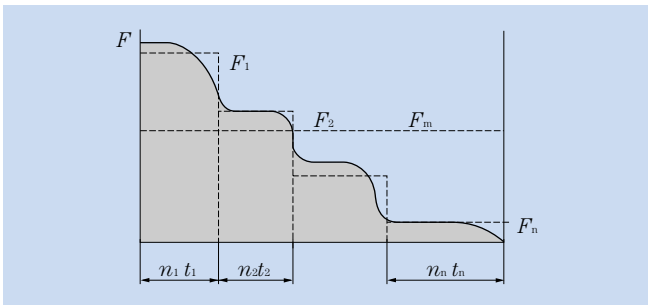


Fig. 4.8 Stepped load

(2) Consecutive series load

Where it is possible to express the function $F(t)$ in terms of load cycle to and time t , the mean load is found by using formula (4.13).

$$F_m = \left[\frac{1}{t_o} \int_0^{t_o} F(t)^p dt \right]^{1/p} \dots \dots \dots (4.13)$$

where:

- $p = 3$ For ball bearings
- $p = 10/3$ For roller bearings

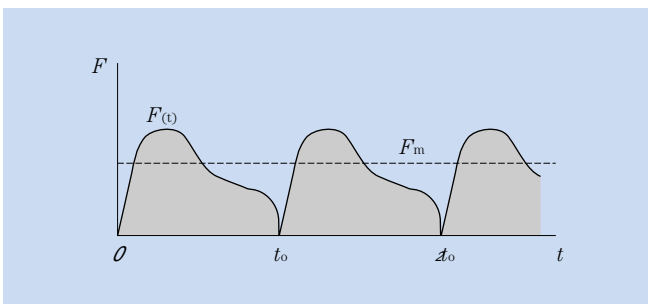


Fig. 4.9 Time function series load

(3) Linear fluctuating load

The mean load, F_m , can be approximated by formula (4.14).

$$F_m = \frac{F_{min} + 2F_{max}}{3} \dots (4.14)$$

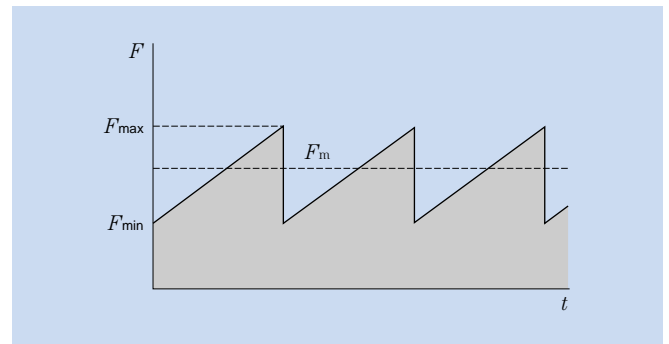


Fig. 4.10 Linear fluctuating load

(4) Sinusoidal fluctuating load

The mean load, F_m , can be approximated by formulas (4.15) and (4.16).

case (a) $F_m = 0.75 F_{max} \dots \dots \dots (4.15)$

case (b) $F_m = 0.65 F_{max} \dots \dots \dots (4.16)$

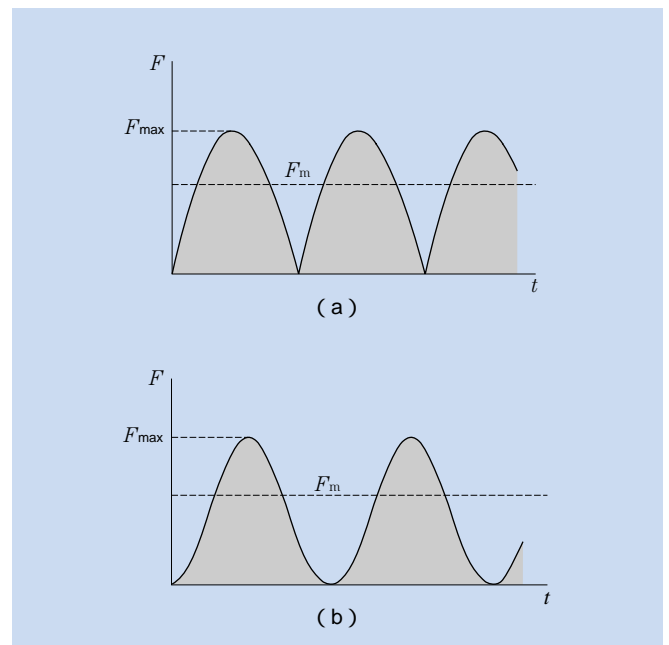


Fig. 4.11 Sinusoidal variable load

4.4 Equivalent load

4.4.1 Dynamic equivalent load

When both dynamic radial loads and dynamic axial loads act on a bearing at the same time, the hypothetical load acting on the center of the bearing which gives the bearings the same life as if they had only a radial load or only an axial load is called the dynamic equivalent load.

For radial bearings, this load is expressed as pure radial load and is called the dynamic equivalent radial load. For thrust bearings, it is expressed as pure axial load, and is called the dynamic equivalent axial load.

(1) Dynamic equivalent radial load

The dynamic equivalent radial load is expressed by formula (4.17).

where,

- P_r : Dynamic equivalent radial load, N
- F_r : Actual radial load, N
- F_a : Actual axial load, N
- X : Radial load factor
- Y : Axial load factor

The values for X and Y are listed in the bearing tables.

(2) Dynamic equivalent axial load

As a rule, standard thrust bearings with a contact angle of 90° cannot carry radial loads. However, self-aligning thrust roller bearings can accept some radial load. The dynamic equivalent axial load for these bearings is given in formula (4.18).

$$P_a = F_a + 1.2F_r \dots \dots \dots (4.18)$$

where,

- P_a : Dynamic equivalent axial load, N
- F_a : Actual axial load, N
- F_r : Actual radial load, N

Provided that $F_r / F_a \leq 0.55$ only.

4.4.2 Static equivalent load

The static equivalent load is a hypothetical load which would cause the same total permanent deformation at the most heavily stressed contact point between the rolling elements and the raceway as under actual load conditions; that is when both static radial loads and static axial loads are simultaneously applied to the bearing.

For radial bearings this hypothetical load refers to pure radial loads, and for thrust bearings it refers to pure centric axial loads. These loads are designated static equivalent radial loads and static equivalent axial loads respectively.

(1) Static equivalent radial load

For radial bearings the static equivalent radial load can be found by using formula (4.19) or (4.20). The greater of the two resultant values is always taken for P_{or} .

$$P_{or} = X_o F_r + Y_o F_a \dots \dots (4.19)$$

$$P_{or} = F_r \dots \dots \dots (4.20)$$

where,

- P_{or} : Static equivalent radial load, N
- F_r : Actual radial load, N
- F_a : Actual axial load, N
- X_o : Static radial load factor
- Y_o : Static axial load factor

The values for X_o and Y_o are given in the respective bearing tables.

(2) Static equivalent axial load

For spherical thrust roller bearings the static equivalent axial load is expressed by formula (4.21).

$$P_{oa} = F_a + 2.7F_r \dots (4.21)$$

where,

- P_{oa} : Static equivalent axial load, N
- F_a : Actual axial load, N
- F_r : Actual radial load, N

Provided that $F_r / F_a \leq 0.55$ only.

4.4.3 Load calculation for angular ball bearings and tapered roller bearings

For angular ball bearings and tapered roller bearings the pressure cone apex (load center) is located as shown in Fig. 4.12, and their values are listed in the bearing tables.

When radial loads act on these types of bearings the component force is induced in the axial direction. For this reason, these bearings are used in pairs (either DB or DF arrangements). For load calculation this component force must be taken into consideration and is expressed by formula (4.22).

$$F_a = \frac{0.5F_r}{Y} \dots\dots\dots (4.22)$$

The equivalent radial loads for these bearing pairs are given in Table 4.5.

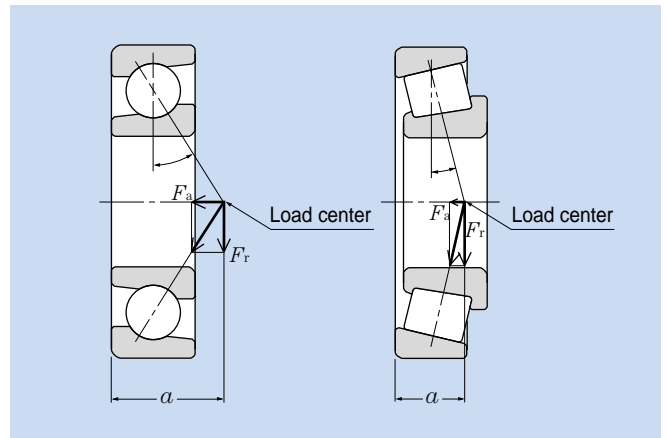


Fig. 4.12 Pressure cone apex

Table 4.5 Bearing arrangement and dynamic equivalent load

Bearing arrangement	Load condition	Axial load	Equivalent radial load
DB arrangement 	$\frac{0.5F_{rI}}{Y_I} \quad \frac{0.5F_{rII}}{Y_{II}} + F_a$	$F_{aI} = \frac{0.5F_{rII}}{Y_{II}} + F_a$ $F_{aII} = \frac{0.5F_{rII}}{Y_{II}}$	$P_{rI} = XF_{rI} + Y_I \left(\frac{0.5F_{rII}}{Y_{II}} + F_a \right)$ $P_{rII} = F_{rII}$
DF arrangement 	$\frac{0.5F_{rI}}{Y_I} > \frac{0.5F_{rII}}{Y_{II}} + F_a$	$F_{aI} = \frac{0.5F_{rI}}{Y_I}$ $F_{aII} = \frac{0.5F_{rI}}{Y_I} - F_a$	$P_{rI} = F_{rI}$ $P_{rII} = XF_{rII} + Y_{II} \left(\frac{0.5F_{rI}}{Y_I} - F_a \right)$
DB arrangement 	$\frac{0.5F_{rII}}{Y_{II}} \quad \frac{0.5F_{rI}}{Y_I} + F_a$	$F_{aI} = \frac{0.5F_{rI}}{Y_I}$ $F_{aII} = \frac{0.5F_{rI}}{Y_I} + F_a$	$P_{rI} = F_{rI}$ $P_{rII} = XF_{rII} + Y_{II} \left(\frac{0.5F_{rI}}{Y_I} + F_a \right)$
DF arrangement 	$\frac{0.5F_{rII}}{Y_{II}} > \frac{0.5F_{rI}}{Y_I} + F_a$	$F_{aI} = \frac{0.5F_{rII}}{Y_{II}} - F_a$ $F_{aII} = \frac{0.5F_{rII}}{Y_{II}}$	$P_{rI} = XF_{rI} + Y_I \left(\frac{0.5F_{rII}}{Y_{II}} - F_a \right)$ $P_{rII} = F_{rII}$

Note 1: The above are valid when the bearing internal clearance and preload are zero.

2: Radial forces in the opposite direction to the arrow in the above illustration are also regarded as positive.

4.5 Allowable axial load for cylindrical roller bearings

Cylindrical roller bearings having flanges on both the inner and outer rings can be loaded with a certain axial force at the same time. Unlike the basic dynamic load rating which is determined by the development of rolling fatigue, a permissible dynamic axial load of a rolling cylindrical roller bearing is determined by heat generation, seizure, etc., at the sliding contact surfaces of the guide flanges and end faces of the rollers. The allowable axial load is approximated by the formula below which is based on past experience and experiments.

$$P_t = k \cdot d^2 \cdot P_z \dots\dots\dots(4.23)$$

where,

- P_t : Allowable axial load during rotation N { kgf }
- k : Coefficient determined by internal bearing geometry (Please refer to **Table 4.6**)
- d : Bore diameter of the bearings mm
- P_z : Allowable face pressure (bearing stress) of the collar MPa (Please refer to **Fig. 4.13**) { kgf/mm² }

However, if the ratio axial load/radial load is large, normal rolling motion of the roller cannot be achieved. Therefore, a value exceeding $F_{a \max}$ shown in **Table 4.6** should not be used.

Moreover, when applying axial loads, the following guidelines are important;

- (1) Be careful to specify proper radial internal clearance.
- (2) Use a lubricant containing an extreme pressure additive.
- (3) The shaft and housing abutment height must be enough to cover those of the flanges.
- (4) In case of severe axial loads, increase the mounting accuracy and perform test running of the bearing.

In cases of axial loads being placed on large cylindrical roller bearings (for example, bearing diameters of 300mm or more), large axial loads being on the bearing under low speed consult conditions, or forces bearing applied, please consult with **NTN Engineering**. For cylindrical roller bearings subjected to high axial use Type HT, Please consult **NTN Engineering**.

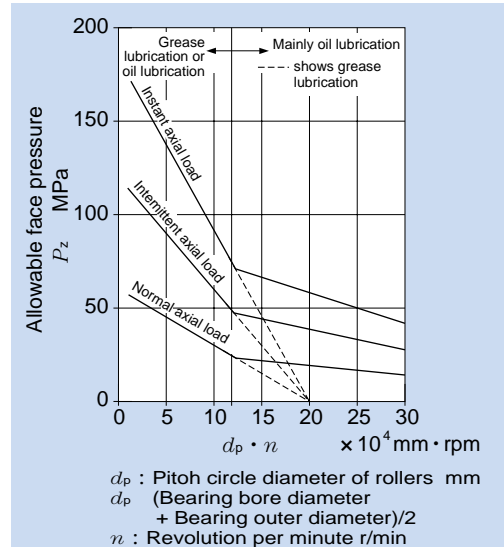


Fig. 4.13 Allowable face pressure of rib

Table 4 Value of coefficient k and allowable axial ($F_{a \max}$)

Bearing type	k	$F_{a \max}$
NJ , NUP10	0.040	$0.4F_r$
NJ , NUP , NF , NH2 ,		
NJ , NUP , NH22		
NJ , NUP , NF , NH3 ,	0.065	$0.4F_r$
NJ , NUP , NH23		
NJ , NUP , NH2E ,	0.050	$0.4F_r$
NJ , NUP , NH22E		
NJ , NUP , NH3E ,	0.080	$0.4F_r$
NJ , NUP , NH23E		
NJ , NUP , NH4 ,	0.100	$0.4F_r$
SL01-48	0.022	$0.2F_r$
SL01-49	0.034	$0.2F_r$
SL04-50	0.044	$0.2F_r$

4.6 Bearing rated life and load calculation examples

In the examples given in this section, for the purpose of calculation, all hypothetical load factors as well as all calculated load factors may be presumed to be included in the resultant load values.

(Example 1)

What is the rating life in hours of operation (L_{10h}) for deep groove ball bearing **6208** operating at 650 r/min, with a radial load F_r of 3.2 kN ?

From formula (4.17) the dynamic equivalent radial load:

$$P_r = F_r = 3.2 \text{ kN } \{ 326 \text{ kgf } \}$$

The basic dynamic rated load for bearing 6208 (from bearing table) is 29.1 kN, and the speed factor (f_n) for ball bearings at 650 r/min (n) from **Fig. 4.1** is 0.37. The life factor, f_h , from formula (3.3) is:

$$f_h = f_n \frac{C_r}{P_r} = 0.37 \times \frac{29.1}{3.2} = 3.36$$

Therefore, with $f_h = 3.36$ from **Fig. 3.1** the rated life, L_{10h} , is approximately 19,000 hours.

(Example 2)

What is the life rating L_{10h} for the same bearing and conditions as in **Example 1**, but with an additional axial load F_a of 1.8 kN ?

To find the dynamic equivalent radial load value for P_r , the radial load factor X and axial load factor Y are used. The basic static load rating, C_{or} , for bearing 6208 is 17.8 kN.

$$\frac{F_a}{C_{or}} = \frac{1.8}{17.8} = 0.10$$

Therefore, from the bearing tables $e = 0.29$.
For the operating radial load and axial load:

$$\frac{F_a}{F_r} = \frac{1.8}{3.2} = 0.56 > e = 0.29$$

From the bearing tables $X = 0.56$ and $Y = 1.48$, and from formula (4.17) the equivalent radial load, P_r , is:

$$P_r = XF_r + YF_a = 0.56 \times 3.2 + 1.48 \times 1.8 = 4.46 \text{ kN } \{ 455 \text{ kgf } \}$$

From **Fig. 3.1** and formula (3.3) the life factor, f_h , is:

$$f_h = f_n \frac{C_r}{P_r} = 0.37 \times \frac{29.1}{4.46} = 2.41$$

Therefore, with life factor $f_h = 2.41$, from **Fig. 5.1** the rated life, L_{10h} , is approximately 7,000 hours.

(Example 3)

Determine the optimum model number for a cylindrical roller bearing operating at 450 r/min, with a radial load F_r of 200 kN, and which must have a life of over 20,000 hours.

From **Fig. 3.1** the life factor $f_h = 3.02$ (L_{10h} at 20,000), and the speed factor $f_n = 0.46$ ($n = 450$ r/min). To find the required basic dynamic load rating, C_r , formula (3.3) is used.

$$C_r = \frac{f_h}{f_n} P_r = \frac{3.02}{0.46} \times 200 = 1313 \text{ kN } \{ 134,000 \text{ kgf } \}$$

From the bearing table, the smallest bearing that fulfills all the requirements is **NU2336** ($C_r = 1380$ kN).

(Example 4)

What are the rated lives of the two tapered roller bearings supporting the shaft shown in **Fig. 4.14** Bearing II is an **4T-32206** with a $C_r = 54.5$ kN, and bearing I is an **4T-32205** with a $C_r = 42.0$ kN. The spur gear shaft has a pitch circle diameter D_p of 150 mm, and a pressure angle of 20° . The gear transmitted force HP = 150 kW at 2,000 r/min (speed factor n).

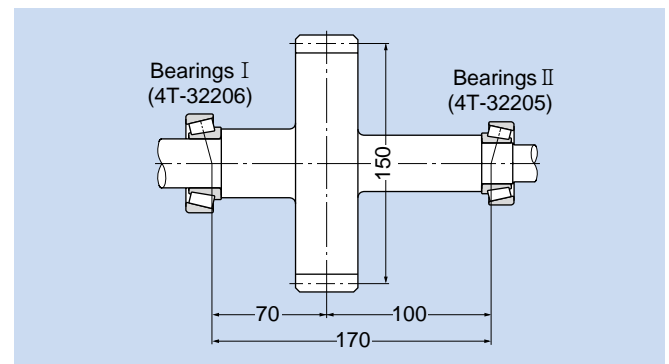


Fig. 4.14 Spur gear diagram

The gear load from formulas (4.1), (4.2a) and (4.3) is:

$$K_t = \frac{19.1 \times 10^6 \cdot H}{D_p \cdot n} = \frac{19,100 \times 150}{150 \times 2,000} = 9.55 \text{ kN } \{ 974 \text{ kgf } \}$$

$$K_s = K_t \cdot \tan 20^\circ = 9.55 \times \tan 20^\circ = 3.48 \text{ kN } \{ 355 \text{ kgf } \}$$

$$K_r = \sqrt{K_t^2 + K_s^2} = \sqrt{9.55^2 + 3.48^2} = 10.16 \text{ kN } \{ 1,040 \text{ kgf } \}$$

The radial loads for bearings I and II are:

$$F_{rI} = \frac{100}{170} K_r = \frac{100}{170} \times 10.16 = 5.98 \text{ kN } \{ 610 \text{ kgf } \}$$

$$F_{rII} = \frac{70}{170} K_r = \frac{70}{170} \times 10.16 = 4.18 \text{ kN } \{ 426 \text{ kgf} \}$$

$$\frac{0.5F_{rI}}{Y_I} = 1.87 > \frac{0.5F_{rII}}{Y_{II}} = 1.31$$

The equivalent radial load is:

$$P_{rI} = F_{rI} = 5.98 \text{ kN } \{ 610 \text{ kgf} \}$$

$$\begin{aligned} P_{rII} &= XF_{rII} + Y_{II} \frac{0.5F_{rI}}{Y_I} \\ &= 0.4 \times 4.18 + 1.67 \times 1.87 \\ &= 4.66 \text{ kN } \{ 475 \text{ kgf} \} \end{aligned}$$

From formula (3.3) and Fig. 3.1 the life factor, f_{hI} , for each bearing is:

$$f_{hI} = f_n \frac{C_{rI}}{P_{rI}} = 0.293 \times 54.5 / 5.98 = 2.67$$

$$f_{hII} = f_n \frac{C_{rII}}{P_{rII}} = 0.293 \times 42.0 / 4.66 = 2.64$$

Therefore: $a_2 = 1.4$ (4T-tapered roller bearings shown in B-136)

$$\begin{aligned} L_{hI} &= 13,200 \times a_2 \\ &= 13,200 \times 1.4 \\ &= 18,480 \text{ ore} \\ L_{hII} &= 12,700 \times a_2 \\ &= 12,700 \times 1.4 \\ &= 17,780 \text{ ore} \end{aligned}$$

The combined bearing life, L_h , from formula (3.6) is:

$$\begin{aligned} L_h &= \frac{1}{\left[\frac{1}{L_{hI}^e} + \frac{1}{L_{hII}^e} \right]^{1/e}} \\ &= \frac{1}{\left[\frac{1}{18,480^{9/8}} + \frac{1}{17,780^{9/8}} \right]^{8/9}} \\ &= 9,780 \text{ hour} \end{aligned}$$

(Example 5)

Find the mean load for spherical roller bearing 23932 ($L_a = 320 \text{ kN}$) when operated under the fluctuating conditions shown in Table 4.7.

Table 4.7

Condition No. i	Operating time %	Radial load F_{ri} kN{ kgf }	Axial load F_{ai} kN{ kgf }	Revolution n_i rpm
1	5	10 { 1020 }	2 { 204 }	1200
2	10	12 { 1220 }	4 { 408 }	1000
3	60	20 { 2040 }	6 { 612 }	800
4	15	25 { 2550 }	7 { 714 }	600
5	10	30 { 3060 }	10 { 1020 }	400

The equivalent radial load, P_r , for each operating condition is found by using formula (4.17) and shown in Table 4.8. Because all the values for F_{ri} and F_{ai} from the bearing tables are greater than $F_a / F_r > e = 0.18$, $X = 0.67$ e $Y_2 = 5.50$.

$$P_{ri} = XF_{ri} + Y_2 F_{ai} = 0.67F_{ri} + 5.50F_{ai}$$

Table 4.8

Condition No. i	Equivalent radial load. P_{ri} kN{ kgf }
1	17.7 { 1805 }
2	30.0 { 3060 }
3	46.4 { 4733 }
4	55.3 { 5641 }
5	75.1 { 7660 }

From formula (4.12) the mean load, F_m , is:

$$F_m = \left[\frac{(P_{ri}^{10/3} \cdot n_i \cdot i)^{3/10}}{(n_i \cdot i)} \right] = 48.1 \text{ kN } \{ 4,906 \text{ kgf} \}$$

(Example 6)

Find the Basic rated life and limit of allowable axial load when operated following. Provided that intermittent axial load and oil lubricant.

$$\begin{aligned} F_r &= 10 \text{ kN } \{ 1,020 \text{ kgf} \} \\ n &= 2,000 \text{ r/min} \end{aligned}$$

The equivalent radial load is:

$$P_r = F_r = 10 \text{ kN } \{ 1,020 \text{ kgf} \}$$

The speed factor of cylindrical roller bearing, f_n , at $n = 2,000 \text{ r/min}$

$$f_n = \left[\frac{33.3}{2,000} \right]^{3/10} = 0.293$$

The life factor, f_h , from formula (3.4)

$$f_h = 0.293 \times \frac{124}{10} = 3.63$$

There fore the basic rated life, L_{10h} , from formula (3.3)

$$L_{10h} = 500 \times 3.63 \quad 24,000$$

And next, allowable axial load of cylindrical roller bearing is shown in a heading 4.5.

The value of coefficient, k , show in table 4.6. $k = 0.065$

$$d_p = (60 + 130) / 2 = 95 \text{ mm}, n = 2,000 \text{ r/min}$$

Take into consideration that intermittent axial load.

$$d_p \cdot n \times 10^4 = 19 \times 10^4$$

The allowable face pressure of the collar, P_t , from

Fig.4.13.

$$P_t = 40 \text{ MPa}$$

There fore the allowable axial load, P_z , following

$$P_z = 0.065 \times 60^2 \times 40 = 936 \text{ N } \{ 95.5 \text{ kgf} \}$$

and meet a demand $F_{a \max} < 0.4 \times 10,000 = 4,000 \text{ N}$ from table 4.6.

5. Boundary Dimensions and Bearing Number Codes

5.1 Boundary dimensions

A rolling bearing's major dimensions, known as "boundary dimensions," are shown in **Figs. 5.1 - 5.3**. To facilitate international bearing interchangeability and economical bearing production, bearing boundary dimensions have been standardized by the International Standards Organization (ISO). In Japan, rolling bearing boundary dimensions are regulated by Japanese Industrial Standards (JIS B 1512).

Those boundary dimensions which have been standardized include: bearing bore diameter, outside diameter, width/height, and chamfer dimensions - all important dimensions when considering the compatibility

of shafts, bearings, and housings. However, as a general rule, bearing internal construction dimensions are not covered by these dimensions.

For metric rolling bearings there are 90 standardized bore diameters (d) ranging in size from 0.6mm - 2,500mm.

Outer diameter dimensions (D) for radial bearings with standardized bore diameter dimensions are covered in the "diameter series;" their corresponding width dimensions (B) are covered in the "width series." For thrust bearings there is no width series; instead, these dimensions are covered in the "height series." The combination of all these series is known as the "dimension series." All series numbers are shown in **Table 5.1**.

Although many rolling bearing dimensions are

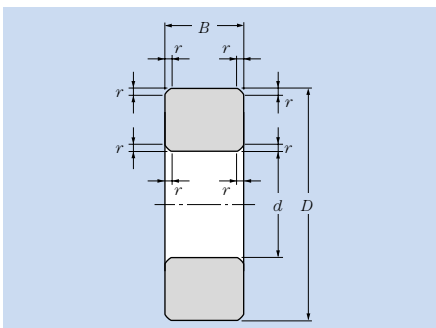


Fig. 5.1 Radial bearings (excluding tapered roller bearings)

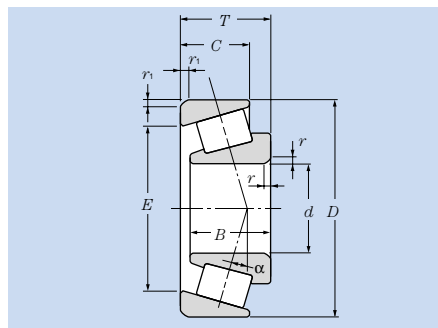


Fig. 5.2 Tapered roller bearings

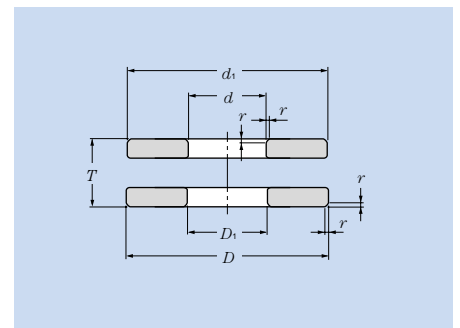


Fig. 5.3 Single direction thrust bearings

Table 5.1 Dimension series numbers

	Dimension series				
		Diameter series (outer diameter dimensions)	Width series (width dimensions)	Height series (height dimensions)	Reference diagram
Radial bearings (excluding tapered roller bearings)	number	7, 8, 9, 0, 1, 2, 3, 4	8, 0, 1, 2, 3, 4, 5, 6	—	Diagram 5.4
	dimensions	small ← → large	small ← → large	—	
Tapered roller bearings	number	9, 0, 1, 2, 3	0, 1, 2, 3	—	Diagram 5.5
	dimensions	small ← → large	small ← → large	—	
Thrust bearings	number	0, 1, 2, 3, 4	—	7, 9, 1, 2	Diagram 5.6
	dimensions	small ← → large	—	small ← → large	

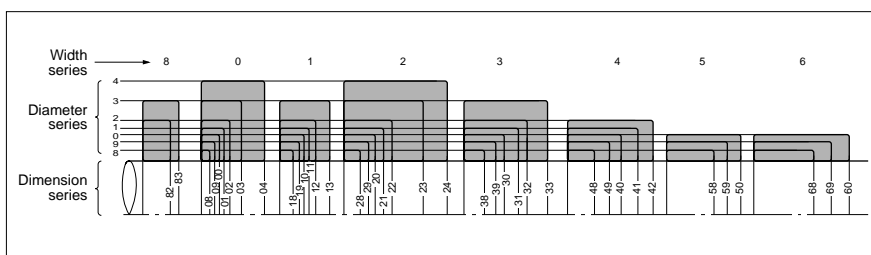


Fig. 5.4 Dimension series for radial bearings (excluding tapered roller bearings)

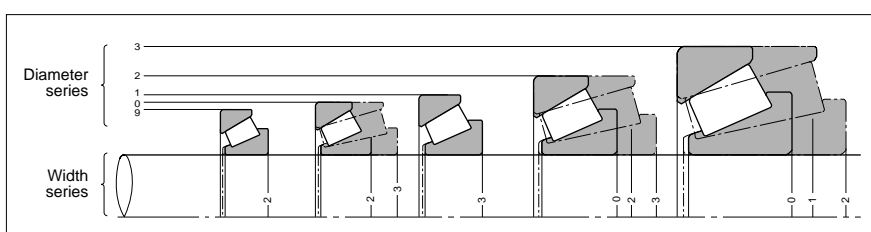


Fig. 5.5 Dimension series for tapered roller bearings

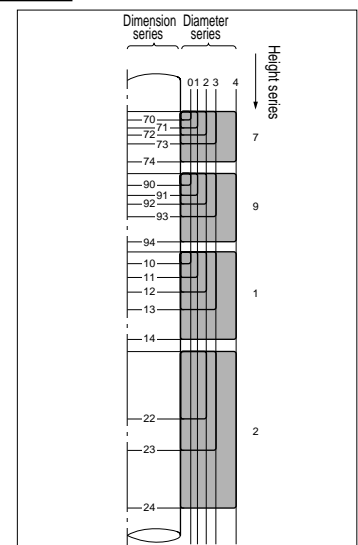


Fig. 5.6 Dimension series for thrust bearings

standardized, and have been listed here for purposes of future standardization, there are many standard bearing dimensions which are not presently manufactured.

Boundary dimensions for radial bearings (excluding tapered roller bearings) are shown in the attached tables.

5.2 Bearing numbers

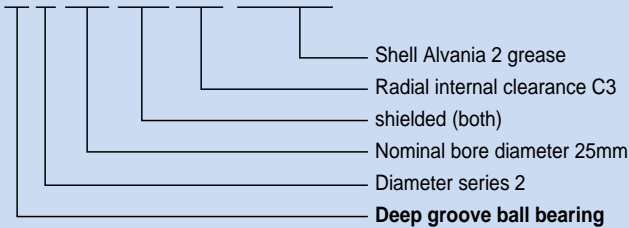
Rolling bearing part numbers indicate bearing type, dimensions, tolerances, internal construction, and other

related specifications. Bearing numbers are comprised of a "basic number" followed by "supplementary codes." The makeup and order of bearing numbers is shown in **Table 5.2**.

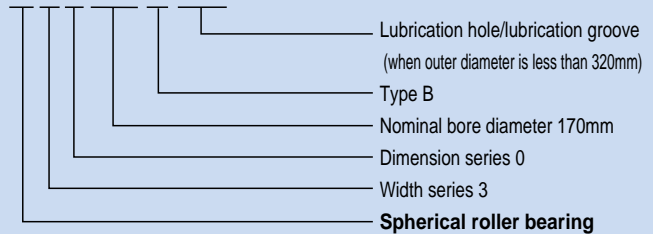
The basic number indicates general information about a bearing, such as its fundamental type, boundary dimensions, series number, bore diameter code and contact angle. The supplementary codes derive from prefixes and suffixes which indicate a bearing's tolerances, internal clearances, and related specifications.

(Bearing number examples)

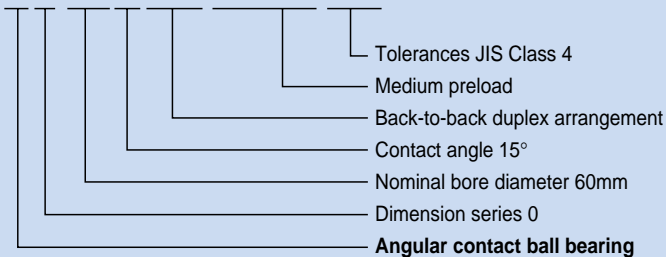
6205ZZC3 / 2A



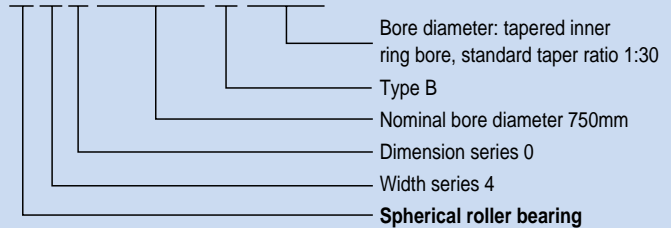
23034BD1



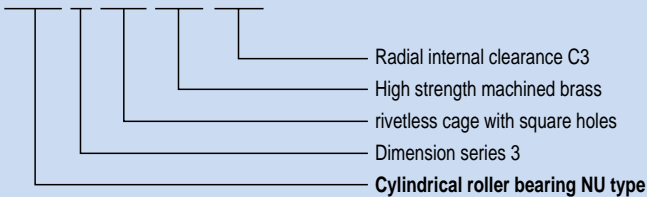
7012CDB / GMP4



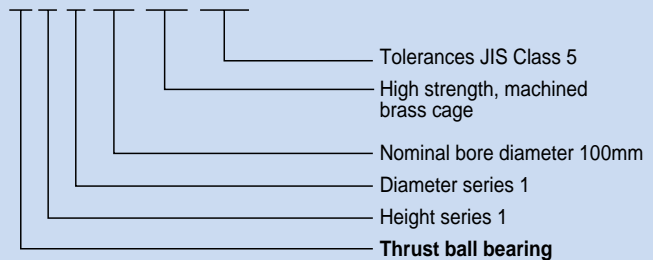
240 / 750BK30



NU320G1C3



51120L1P5



4T - 30208

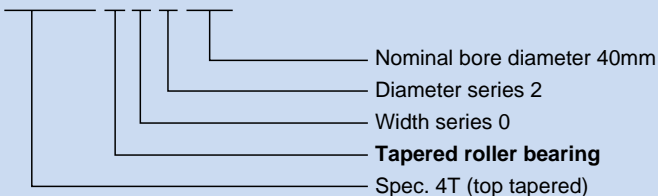


Table 5.2 Bearing number composition and arrangement

Supplementary prefix code Special application/material/ heat treatment code	Basic number					
	Basic numbers			Bore diameter number		Contact angle code
	Bearing series code	Dimension series code		Code	bore diameter mm	Code ^①
Width/height series ^①		Diameter series				
4T: 4T tapered roller bearings	Deep groove ball bearings (type code 6)			/0.6	0.6	Angular contact ball bearings (A) Standard contact angle 30° B Standard contact angle 40° C Standard contact angle 15°
ET: ET tapered roller bearings	68	(1)	8	/1.5	1.5	
E: carburized alloy steel bearings	69	(1)	9	/2.5	2.5	
F: stainless steel bearings	60	(1)	0	1 ⋮	1 ⋮	Tapered roller bearings (B) Contact angle over 10° C to/including 17° D Contact angle over 17° to/including 24° Contact angle over 24° to/including 32°
H: high speed steel bearings	62	(0)	2			
M: plated bearings	63	(0)	3			
5S: ceramic rolling element bearings	Angular contact ball bearings (type code 7)			9	9	
HL: HL (high lubrication) roller bearings	78	(1)	8	00	10	
TS2: dimension stabilized bearing for high temperature use (to 160°C)	79	(1)	9	01	12	
TS3: dimension stabilized bearing for high temperature use (to 200°C)	70	(1)	0	02	15	
TS4: dimension stabilized bearing for high temperature use (to 250°C)	72	(0)	2	03	17	
	73	(0)	3			
	Self-aligning ball bearings (type code 1,2)					
	12	(0)	2	/22	22	
	13	(0)	3	/28	28	
	22	(2)	2	/32	32	
	23	(2)	3			
	Cylindrical roller bearings (type code NU, N, NF, NNU, NN, etc.)					
	NU10	1	0	04	20	
	NU2	(0)	2	05	25	
	NU22	2	2	06	30	
	NU3	(0)	3	⋮	⋮	
	NU23	2	3	88	440	
	NU4	(0)	4	92	460	
	NNU49	4	9	96	480	
	NN30	3	0			
	Tapered roller bearings (type code 3)					
	329X	2	9	/500	500	
	320X	2	0	/530	530	
	302	0	2	/560	560	
	322	2	2	⋮	⋮	
	303	0	3	/2,360	2,360	
	303D	0	3	/2,500	2,500	
	313X	1	3			
	323	2	3			
	Spherical roller bearings (type code 2)					
	239	3	9			
	230	3	0			
	240	4	0			
	231	3	1			
	241	4	1			
	222	2	2			
	232	3	2			
	213	1	3			
	223	2	3			
	Single direction thrust ball bearings (type code 5)					
	511	1	1			
	512	1	2			
	513	1	3			
	514	1	4			
	Cylindrical roller thrust bearings (type code 8)					
	811	1	1			
	812	1	2			
	893	9	3			
	Self-aligning thrust roller bearings (type code 2)					
	292	9	2			
	293	9	3			
	294	9	4			

① Codes in () are not shown in nominal numbers.
 Note: Please consult NTN Engineering concerning bearing series codes, and supplementary prefix/suffix codes not listed in the above table.

Supplementary suffix codes							
Internal modifications code	Cage code	Seal / Shield code	Raceway configuration code	Duplex arrangement code	Internal clearance /preload code	Tolerance code	Lubrication code
U: Internationally interchangeable tapered roller bearings	L1: High strength, machined brass cage	LLB: Synthetic rubber seal (non-contact type)	K: Tapered inner ring bore, standard taper ratio 1:12	DB: Back-to-back arrangement	C2: Internal clearance less than normal	P6: JIS Class 6	/2A: Shell Alvania 2 grease
R: Non-internationally interchangeable tapered roller bearings	F1: Machined carbon steel cage	LLU: Synthetic rubber seal (contact type)	K30: Tapered inner ring bore, standard taper ratio 1:30	DF: Face-to-face arrangement	(CN): Normal clearance	P5: JIS Class 5	/3A: Shell Alvania 3 grease
ST: Low torque tapered roller bearings	G1: High strength machined brass rivet-less cage with square holes,	LLH: Synthetic rubber seal (low-torque type)	N: Snap ring groove	DT: Tandem arrangement	C3: Internal clearance greater than normal	P4: JIS Class 4	/8A: Shell Alvania EP2 grease
HT: High axial load use cylindrical roller bearings	J: Pressed steel cage	ZZ: Steel shield	NR: Snap ring groove with snap ring	D2: Two matched, paired bearings	C4: Internal clearance greater than C3	2: Inch series tapered roller bearing (ABMA) Class 2	/5K: MULTEMP SRL
	T2: Plastic mold cage		D: Lubrication hole/lubrication groove	G: Flush ground	C5: Internal clearance greater than C4	3: Inch series tapered roller bearing (ABMA) Class 3	/LX11: Barierta JFE552
				+ : Spacer (= spacer's standard width dimensions)	CM: Radial internal clearance for electric motor use	0: Inch series tapered roller bearing (ABMA) Class 0	/LP03: Solid grease (for use with solid grease bearings)
					/GL: Light preload	00: Inch series tapered roller bearing (ABMA) Class 00	
					GN: Normal preload		
					GM: Medium preload		
					GH: Heavy preload		



6. Bearing Tolerances

6.1 Dimensional accuracy and running accuracy

Bearing “tolerances” or dimensional accuracy and running accuracy, are regulated by ISO and JIS B 1514 standards (rolling bearing tolerances). For dimensional accuracy, these standards prescribe the tolerances necessary when installing bearings on shafts or in housings. Running accuracy is defined as the allowable limits for bearing runout during operation.

Dimensional accuracy

Dimensional accuracy constitutes the acceptable values for bore diameter, outer diameter, assembled bearing width, and bore diameter uniformity as seen in chamfer dimensions, allowable inner ring tapered bore deviation and shape error. Also included are, average bore diameter variation average, outer diameter variation, average outer diameter unevenness, as well as raceway width and height variation (for thrust bearings).

Running accuracy

Running accuracy constitutes the acceptable values for inner and outer ring radial runout and axial runout, inner ring side runout, and outer ring outer diameter runout.

Allowable rolling bearing tolerances have been established according to precision classes. JIS Class 0 corresponds to normal precision class bearings, and precision becomes progressively higher as the class number becomes smaller; i.e., Class 6 is less precise than Class 5, which is less precise than Class 4, and so on.

Table 6.1 indicates which standards and precision classes are applicable to the major bearing types. **Table 6.2** shows a relative comparison between JIS B 1514 precision class standards and other standards. For greater detail on allowable error limitations and values, refer to **Tables 6.3 - 6.9**. Allowable values for chamfer dimensions are shown in **Table 6.10**, and allowable error limitations and values for radial bearing inner ring tapered bores are shown in **Table 6.11**.

Table 6.1 Bearing types and applicable tolerance

Bearing type		Applicable standard	Applicable tolerance					Tolerance table
Deep groove ball bearing		ISO492	class 0	class 6	class 5	class 4	class 2	Table 6.3
Angular contact ball bearings			class 0	class 6	class 5	class 4	class 2	
Self-aligning ball bearings			class 0	—	—	—	—	
Cylindrical roller bearings			class 0	class 6	class 5	class 4	class 2	
Needle roller bearings			class 0	class 6	class 5	class 4	—	
Spherical roller bearings			class 0	—	—	—	—	
Tapered roller bearings	metric	ISO492	class 0,6X	class 6	class 5	class 5	—	Table 6.4
	Inch	AFBMA Std.19	class 4	class 2	class 3	class 0	class 00	Table 6.5
	J series	ANSI/AFBMA Std.19.1	class K	class N	class C	class B	class A	Table 6.6
Thrust ball bearings		ISO199	class 0	class 6	class 5	class 4	—	Table 6.7
Spherical roller thrust bearings			class 0	—	—	—	—	Table 6.8
Double direction angular contact thrust ball bearings		NTN standard	—	—	class 5	class 4	—	Table 6.9

Table 6.2 Comparison of tolerance classifications of national standards

Standard		Tolerance Class					Bearing Types
Japanese industrial standard (JIS)	JIS B 1514	class 0,6X	class 6	class 5	class 4	class 2	All type
International Organization for Standardization (ISO)	ISO 492	Normal class Class 6X	Class 6	Class 5	Class 4	Class 2	Radial bearings
	ISO 199	Normal class	Class 6	Class 5	Class 4	—	Thrust ball bearings
	ISO 578	Class 4	—	Class 3	Class 0	Class 00	Tapered roller bearings (Inch series)
	ISO 1224	—	—	Class 5A	Class 4A	—	Precision instrument bearings
Deutsches Institut für Normung(ISO)	DIN 620	P0	P6	P5	P4	P2	All type
American National Standards Institute (ANSI) Anti-Friction Bearing Manufacturers (AFBMA)	ANSI/ABMA Std.20 ^①	ABEC-1 RBEC-1	ABEC-3 RBEC-3	ABEC-5 RBEC-5	ABEC-7	ABEC-9	Radial bearings (Except tapered roller bearings)
	ANSI/ABMA Std.19.1	Class K	Class N	Class C	Class B	Class A	Tapered roller bearings (Metric series)
	ANSI/ABMA Std.19	Class 4	Class 2	Class 3	Class 0	Class 00	Tapered roller bearings (Inch series)

① "ABEC" is applied for ball bearings and "RBEC" for roller bearings.

Notes 1: JIS B 1514, ISO 492 and 199, and DIN 620 have the same specification level.

2: The tolerance and allowance of JIS B 1514 are a little different from those of AFBMA standards.

Table 6.4 Tolerance of tapered roller bearings (Metric system)

Table 6.4 (1) Inner rings

Nominal bore diameter d mm		Single plane mean bore diameter deviation Δ_{dmp}						Single radial plane bore diameter variation V_{dp}				Mean single plane bore diameter variation V_{dmp}				Inner ring radial runout K_{ia}				Face runout with bore S_d	
over	incl.	class 0,6X	class 5,6		class 4 ^①		class 0,6X	class 6	class 5	class 4	class 0,6X	class 6	class 5	class 4	class 0,6X	class 6	class 5	class 4	class 5	class 4	
		max						max				max				max				max	
10	18	0	-12	0	-7	0	-5	12	7	5	4	9	5	5	4	15	7	5	3	7	3
18	30	0	-12	0	-8	0	-6	12	8	6	5	9	6	5	4	18	8	5	3	8	4
30	50	0	-12	0	-10	0	-8	12	10	8	6	9	8	5	5	20	10	6	4	8	4
50	80	0	-15	0	-12	0	-9	15	12	9	7	11	9	6	5	25	10	7	4	8	5
80	120	0	-20	0	-15	0	-10	20	15	11	8	15	11	8	5	30	13	8	5	9	5
120	180	0	-25	0	-18	0	-13	25	18	14	10	19	14	9	7	35	18	11	6	10	6
180	250	0	-30	0	-22	0	-15	30	22	17	11	23	16	11	8	50	20	13	8	11	7
250	315	0	-35	—	—	—	—	35	—	—	—	26	—	—	—	60	—	—	—	—	—
315	400	0	-40	—	—	—	—	40	—	—	—	30	—	—	—	70	—	—	—	—	—
400	500	0	-45	—	—	—	—	45	—	—	—	34	—	—	—	80	—	—	—	—	—
500	630	0	-50	—	—	—	—	50	—	—	—	38	—	—	—	90	—	—	—	—	—
630	800	0	-75	—	—	—	—	75	—	—	—	56	—	—	—	105	—	—	—	—	—
800	1,000	0	-100	—	—	—	—	100	—	—	—	75	—	—	—	120	—	—	—	—	—

① The dimensional difference Δ_{ds} of bore diameter to be applied for class 4 is the same as the tolerance of dimensional difference Δ_{dmp} of average bore diameter.

Table 6.4 (2) Outer rings

Nominal outside diameter D mm		Single plane mean outside diameter deviation Δ_{Dmp}						Single radial plane outside diameter variation V_{Dp}				Mean single plane outside diameter variation V_{Dmp}				Outer ring radial runout K_{ea}				Outside surface inclination S_D ^②	
over	incl.	class 0,6X	class 5,6		class 4 ^③		class 0,6X	class 6	class 5	class 4	class 0,6X	class 6	class 5	class 4	class 0,6X	class 6	class 5	class 4	class 5	class 4	
		max						max				max				max				max	
18	30	0	-12	0	-8	0	-6	12	8	6	5	9	6	5	4	18	9	6	4	8	4
30	50	0	-14	0	-9	0	-7	14	9	7	5	11	7	5	5	20	10	7	5	8	4
50	80	0	-16	0	-11	0	-9	16	11	8	7	12	8	6	5	25	13	8	5	8	4
80	120	0	-18	0	-13	0	-10	18	13	10	8	14	10	7	5	35	18	10	6	9	5
120	150	0	-20	0	-15	0	-11	20	15	11	8	15	11	8	6	40	20	11	7	10	5
150	180	0	-25	0	-18	0	-13	25	18	14	10	19	14	9	7	45	23	13	8	10	5
180	250	0	-30	0	-20	0	-15	30	20	15	11	23	15	10	8	50	25	15	10	11	7
250	315	0	-35	0	-25	0	-18	35	25	19	14	26	19	13	9	60	30	18	11	13	8
315	400	0	-40	0	-28	0	-20	40	28	22	15	30	21	14	10	70	35	20	13	13	10
400	500	0	-45	—	—	—	—	45	—	—	—	34	—	—	—	80	—	—	—	—	—
500	630	0	-50	—	—	—	—	50	—	—	—	38	—	—	—	100	—	—	—	—	—
630	800	0	-75	—	—	—	—	75	—	—	—	56	—	—	—	120	—	—	—	—	—
800	1,000	0	-100	—	—	—	—	100	—	—	—	75	—	—	—	140	—	—	—	—	—
1,000	1,250	0	-125	—	—	—	—	125	—	—	—	84	—	—	—	165	—	—	—	—	—
1,250	1,600	0	-160	—	—	—	—	160	—	—	—	120	—	—	—	190	—	—	—	—	—

② The dimensional difference Δ_{Ds} of outside diameter to be applied for class 4 is the same as the tolerance of dimensional difference Δ_{Dmp} of average outside diameter.

③ The dimensional difference Δ_{ds} of bore diameter to be applied for class 4 is the same as the tolerance of dimensional difference Δ_{dmp} of average bore diameter.

Unit μm

Inner ring axial runout (with side) S_{ia}	Inner ring width deviation Δ_{Bis}						Overall width deviation of assembled single row tapered roller bearing, or height deviation Δ_{T1s}						Overall width deviation of assembled double rows tapered roller bearing or height deviation $\Delta_{B1s}, \Delta_{C1s}$		Overall width deviation of assembled four rows tapered roller bearing or height deviation $\Delta_{B2s}, \Delta_{C2s}$	
	class 0,6		class 6X		class 4,5		class 0,6		class 6X		class 4,5		class 0,6,5		class 0,6,5	
	high	low	high	low	high	low	high	low	high	low	high	low	high	low	high	low
3	0	-120	0	-50	0	-200	+200	0	+100	0	+200	-200	—	—	—	—
4	0	-120	0	-50	0	-200	+200	0	+100	0	+200	-200	—	—	—	—
4	0	-120	0	-50	0	-240	+200	0	+100	0	+200	-200	+240	-240	—	—
4	0	-150	0	-50	0	-300	+200	0	+100	0	+200	-200	+300	-300	—	—
5	0	-200	0	-50	0	-400	+200	-200	+100	0	+200	-200	+400	-400	+500	-500
7	0	-250	0	-50	0	-500	+350	-250	+150	0	+350	-250	+500	-500	+600	-600
8	0	-300	0	-50	0	-600	+350	-250	+150	0	+350	-250	+600	-600	+750	-750
—	0	-350	0	-50	—	—	+350	-250	+200	0	—	—	+700	-700	+900	-900
—	0	-400	0	-50	—	—	+400	-400	+200	0	—	—	+800	-800	+1,000	-1,000
—	0	-450	—	—	—	—	—	—	—	—	—	—	+900	-900	+1,200	-1,200
—	0	-500	—	—	—	—	—	—	—	—	—	—	+1,000	-1,000	+1,200	-1,200
—	0	-750	—	—	—	—	—	—	—	—	—	—	+1,500	-1,500	+1,500	-1,500
—	0	-1,000	—	—	—	—	—	—	—	—	—	—	+1,500	-1,500	+1,500	-1,500

 Unit μm

Outer ring axial runout S_{ea}	Outer ring width deviation Δ_{Cs}				
	class 0,6,5,4		class 6X ^④		
	sup.	inf.	sup.	inf.	
5			0	-100	
5	Identical to Δ_{Bis} inner ring of same bearing		0	-100	
5			0	-100	
6			0	-100	
7			0	-100	
8			0	-100	
10			0	-100	
10			0	-100	
13			0	-100	
—				0	-100
—				0	-100
—			—	—	
—			—	—	
—			—	—	
—			—	—	

^④ To be applied for nominal bore diameters

Table 6.4 (3) Effective width of outer and inner rings with roller

 Unit μm

Nominal bore diameter d mm	Effective width deviation of roller and inner ring assembly of tapered roller bearing Δ_{T1s}				Tapered roller bearing outer ring effective width deviation Δ_{T2s}				
	class 0		class 6X		class 0		class 6X		
	high	low	high	low	high	low	high	low	
10	18	+100	0	+50	0	+100	0	+50	0
18	30	+100	0	+50	0	+100	0	+50	0
30	50	+100	0	+50	0	+100	0	+50	0
50	80	+100	0	+50	0	+100	0	+50	0
80	120	+100	-100	+50	0	+100	-100	+50	0
120	180	+150	-150	+50	0	+200	-100	+100	0
180	250	+150	-150	+50	0	+200	-100	+100	0
250	315	+150	-150	+100	0	+200	-100	+100	0
315	400	+200	-200	+100	0	+200	-200	+100	0

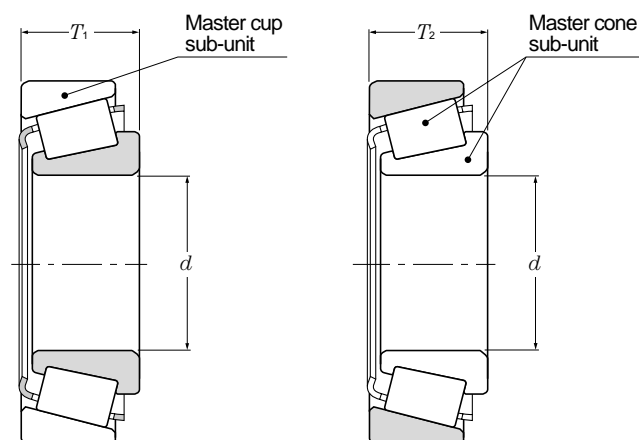


Table 6.5 Tolerance for tapered roller bearings of inch system

Table 6.5 (1) Inner rings

Unit μm

Nominal bore diameter d mm		Single bore diameter deviation $\Delta_{i/s}$									
over	incl.	Class 4		Class 2		Class 3		Class 0		Class 00	
		high	low	high	low	high	low	high	low	high	low
—	76.2	+13	0	+13	0	+13	0	+13	0	+8	0
76.2	266.7	+25	0	+25	0	+13	0	+13	0	+8	0
266.7	304.8	+25	0	+25	0	+13	0	+13	0	—	—
304.8	609.6	+51	0	+51	0	+25	0	—	—	—	—
609.6	914.4	+76	0	—	—	+38	0	—	—	—	—
914.4	1,219.2	+102	0	—	—	+51	0	—	—	—	—
1,219.2	—	+127	0	—	—	+76	0	—	—	—	—

Table 6.5 (2) Outer rings

Unit μm

Nominal outside diameter d mm		Single outside diameter deviation $\Delta_{D/s}$									
over	incl.	Class 4		Class 2		Class 3		Class 0		Class 00	
		over	incl.	over	incl.	over	incl.	over	incl.	over	incl.
—	266.7	+25	0	+25	0	+13	0	+13	0	+8	0
266.7	304.8	+25	0	+25	0	+13	0	+13	0	—	—
304.8	609.6	+51	0	+51	0	+25	0	—	—	—	—
609.6	914.4	+76	0	+76	0	+38	0	—	—	—	—
914.4	1,219.2	+102	0	—	—	+51	0	—	—	—	—
1,219.2	—	+127	0	—	—	+76	0	—	—	—	—

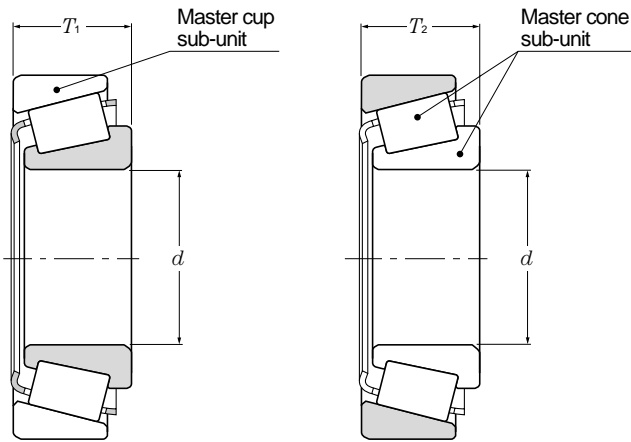
Table 6.5 (3) Effective width of inner rings with roller and outer rings

Nominal bore diameter d mm		Nominal outside diameter d mm		Overall width deviation of assembled single row tapered roller bearing $\Delta_{T/s}$								Overall width deviation of assembled 4-row tapered roller bearings $\Delta_{H2s}, \Delta_{C2s}$	
over	incl.	over	incl.	Class 4		Class 2		Class 3		Class 0,00		Class 4,2,3,0	
				high	low	high	low	high	low	high	low	high	low
—	101.6			+203	0	+203	0	+203	-203	+203	-203	+1,520	-1,520
101.6	304.8			+356	-254	+203	0	+203	-203	+203	-203	+1,520	-1,520
304.8	609.6	—	508.0	+381	-381	+381	-381	+203	-203	—	—	+1,520	-1,520
304.8	609.6	508.0	—	+381	-381	+381	-381	+381	-381	—	—	+1,520	-1,520
609.6	—			+381	-381	—	—	+381	-381	—	—	+1,520	-1,520

Table 6.5 (4) Radial deflection of inner and outer rings

Unit μm

Nominal outside diameter d mm		Inner ring radial runout K_{ia} Outer ring radial runout K_{ea}				
over	incl.	Class 4	Class 2	Class 3	Class 0	Class 00
				max		
—	304.8	51	38	8	4	2
304.8	609.6	51	38	18	—	—
609.6	914.4	76	51	51	—	—
914.4	—	76	—	76	—	—



Unit μm

Effective width deviation of roller and inner ring assembly of tapered roller bearing ΔT_{1s}						Tapered roller bearing outer ring effective width deviation ΔT_{2s}					
Class 4		Class 2		Class 3		Class 4		Class 2		Class 3	
high	low	high	low	high	low	high	low	high	low	high	low
+102	0	+102	0	+102	-102	+102	0	+102	0	+102	-102
+152	-152	+102	0	+102	-102	+203	-102	+102	0	+102	-102
—	—	+178	-178 ^①	+102	-102 ^①	—	—	+203	-203 ^①	+102	-102 ^①
—	—	—	—	—	—	—	—	—	—	—	—
—	—	—	—	—	—	—	—	—	—	—	—

① To be applied for nominal bore diameters of 406.400 mm (16 inch) or less.

Table 6.6 Tolerance of tapered roller bearings of J series (Metric system)

Table 6.6 (1) Inner rings

Nominal bore diameter d mm		Single plane mean bore diameter deviation Δd_{mp}								Single radial plane bore diameter variation V_{dp}				Mean single plane bore diameter variation V_{dmp}			
over	incl.	Class K		Class N		Class C		Class B		Class K	Class N	Class C	Class B	Class K	Class N	Class C	Class B
		high	low	high	low	high	low	high	low								
10	18	0	-12	0	-12	0	-7	0	-5	12	12	4	3	9	9	5	4
18	30	0	-12	0	-12	0	-8	0	-6	12	12	4	3	9	9	5	4
30	50	0	-12	0	-12	0	-10	0	-8	12	12	4	3	9	9	5	5
50	80	0	-15	0	-15	0	-12	0	-9	15	15	5	3	11	11	5	5
80	120	0	-20	0	-20	0	-15	0	-10	20	20	5	3	15	15	5	5
120	180	0	-25	0	-25	0	-18	0	-13	25	25	5	3	19	19	5	7
180	250	0	-30	0	-30	0	-22	0	-15	30	30	6	4	23	23	5	8

Note: Please consult NTN Engineering for Class A bearings.

Table 6.6 (2) Outer rings

Nominal outside diameter D mm		Single plane mean outside diameter deviation ΔD_{mp}								Single radial plane outside diameter variation V_{Dp}				Mean single plane outside diameter variation V_{Dmp}				outer ring axial runout S_{ea}
over	incl.	Class K		Class N		Class C		Class B		Class K	Class N	Class C	Class B	Class K	Class N	Class C	Class B	Class B
		high	low	high	low	high	low	high	low									
18	30	0	-12	0	-12	0	-8	0	-6	12	12	4	3	9	9	5	4	3
30	50	0	-14	0	-14	0	-9	0	-7	14	14	4	3	11	11	5	5	3
50	80	0	-16	0	-16	0	-11	0	-9	16	16	4	3	12	12	6	5	4
80	120	0	-18	0	-18	0	-13	0	-10	18	18	5	3	14	14	7	5	4
120	150	0	-20	0	-20	0	-15	0	-11	20	20	5	3	15	15	8	6	4
150	180	0	-25	0	-25	0	-18	0	-13	25	25	5	3	19	19	9	7	5
180	250	0	-30	0	-30	0	-20	0	-15	30	30	6	4	23	23	10	8	6
250	315	0	-35	0	-35	0	-25	0	-18	35	35	8	5	26	26	13	9	6
315	400	0	-40	0	-40	0	-28	0	-20	40	40	10	5	30	30	14	10	6

Note: Please consult NTN Engineering for Class A bearings.

Table 6.6 (3) Effective width of inner and outer rings

Unit μm

Nominal bore diameter d mm		Effective width deviation of roller and inner ring assembly of tapered roller bearing Δr_{1s}								Tapered roller bearing outer ring effective width deviation Δr_{2s}							
over	incl.	Class K		Class N		Class C		Class B		Class K	Class N	Class C	Class B	Class K	Class N	Class C	Class B
		high	low	high	low	high	low	high	low								
10	80	+100	0	+50	0	+100	-100	*	*	+100	0	+50	0	+100	-100	*	*
80	120	+100	-100	+50	0	+100	-100	*	*	+100	-100	+50	0	+100	-100	*	*
120	180	+150	-150	+50	0	+100	-100	*	*	+200	-100	+100	0	+100	-150	*	*
180	250	+150	-150	+50	0	+100	-150	*	*	+200	-100	+100	0	+100	-150	*	*

Note 1: "*" mark are to be manufactured only for combined bearings.
2: Please consult NTN Engineering for Class A bearings.

Unit μm

Inner ring axial runout (with side) S_{ia}	Overall width deviation of assembled single row tapered roller bearing ΔT_s								
	Class	Class K		Class N		Class C		Class B	
	B	sup	inf	sup	inf	sup	inf	sup	inf
	max								
3	+200	0	+100	0	+200	-200	+200	-200	
4	+200	0	+100	0	+200	-200	+200	-200	
4	+200	0	+100	0	+200	-200	+200	-200	
4	+200	0	+100	0	+200	-200	+200	-200	
5	+200	-200	+100	0	+200	-200	+200	-200	
7	+350	-250	+150	0	+200	-250	+200	-250	
8	+350	-250	+150	0	+200	-300	+200	-300	

Table 6.6 (4) Runout of inner and outer rings Unit μm

Nominal outside diameter D mm		Inner ring radial runout K_{ia} and Outer ring radial runout K_{ea}			
over	incl.	Class K	Class N	Class C	Class B
		max			
18	30	18	18	5	3
30	50	20	20	6	3
50	80	25	25	6	4
80	120	35	35	6	4
120	150	40	40	7	4
150	180	45	45	8	4
180	250	50	50	10	5
250	315	60	60	11	5
315	400	70	70	13	5

Note: Please consult NTN Engineering for Class A bearings.

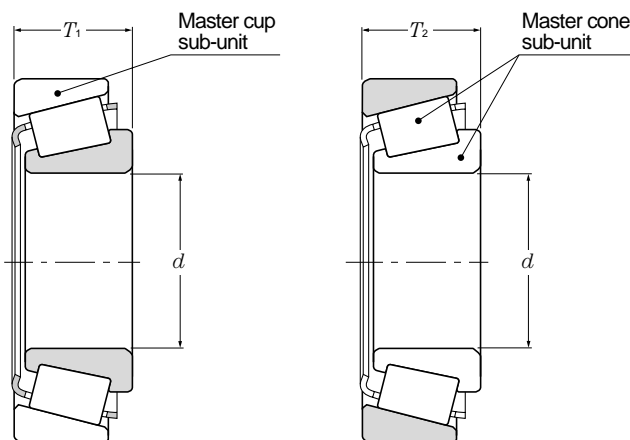


Table 6.7 Tolerance of thrust ball bearings

Table 6.7 (1) Inner rings

Unit μm

Nominal bore diameter d mm		Single plane mean bore diameter deviation Δd_{mp}				Single radial plane bore diameter variation V_{dp}		Thrust bearing shaft washer raceway (or center washer raceway) thickness variation S_i			
over	incl.	Class 0,6,5		Class 4		Class 0,6,5	Class 4	Class 0	Class 6	Class 5	Class 4
		high	low	high	low	max		max			
—	18	0	-8	0	-7	6	5	10	5	3	2
18	30	0	-10	0	-8	8	6	10	5	3	2
30	50	0	-12	0	-10	9	8	10	6	3	2
50	80	0	-15	0	-12	11	9	10	7	4	3
80	120	0	-20	0	-15	15	11	15	8	4	3
120	180	0	-25	0	-18	19	14	15	9	5	4
180	250	0	-30	0	-22	23	17	20	10	5	4
250	315	0	-35	0	-25	26	19	25	13	7	5
315	400	0	-40	0	-30	30	23	30	15	7	5
400	500	0	-45	0	-35	34	26	30	18	9	6
500	630	0	-50	0	-40	38	30	35	21	11	7

Table 6.7 (2) Outer rings

Unit μm

Nominal outside diameter d mm		Single plane mean outside diameter deviation ΔD_{mp}				Single radial plane outside diameter variation V_{Dp}		Thrust bearing housing washer raceway thickness variation S_e			
over	incl.	Class 0,6,5		Class 4		Class 0,6,5	Class 4	Class 0	Class 6	Class 5	Class 4
		high	low	high	low	max		max			
10	18	0	-11	0	-7	8	5	According to the tolerance of S_1 against " d " or " d_2 " of the same bearings			
18	30	0	-13	0	-8	10	6				
30	50	0	-16	0	-9	12	7				
50	80	0	-19	0	-11	14	8				
80	120	0	-22	0	-13	17	10				
120	180	0	-25	0	-15	19	11				
180	250	0	-30	0	-20	23	15				
250	315	0	-35	0	-25	26	19				
315	400	0	-40	0	-28	30	21				
400	500	0	-45	0	-33	34	25				
500	630	0	-50	0	-38	38	29				
630	800	0	-75	0	-45	55	34				

Table 6.7 (3) Height of bearings center washer

Unit μm

Nominal bore diameter d mm		Single direction type ① Δr_s	
over	incl.	high	low
—	30	0	-75
30	50	0	-100
50	80	0	-125
80	120	0	-150
120	180	0	-175
180	250	0	-200
250	315	0	-225
315	400	0	-300
400	500	0	-350
500	630	0	-400

① This standard is applied for flat back face bearing of class 0.

Table 6.8 Tolerance of spherical thrust roller bearing

Table 6.8 (1) Inner rings Unit μm

Nominal bore diameter d mm		Single plane mean bore diameter deviation Δd_{imp}		Single radial plane bore diameter variation V_{dP} max	Face runout with bore S_d max	Height deviation of single direction thrust bearing ΔT_s	
over	incl.	high	low			high	low
50	80	0	-15	11	25	+150	-150
80	120	0	-20	15	25	+200	-200
120	180	0	-25	19	30	+250	-250
180	250	0	-30	23	30	+300	-300
250	315	0	-35	26	35	+350	-350
315	400	0	-40	30	40	+400	-400
400	500	0	-45	34	45	+450	-450

Table 6.8 (2) Outer ring

Unit μm

Nominal outside diameter d mm		Single plane mean outside diameter deviation ΔD_{mp}	
over	incl.	high	low
120	180	0	-25
180	250	0	-30
250	315	0	-35
315	400	0	-40
400	500	0	-45
500	630	0	-50
630	800	0	-75
800	1,000	0	-100

Table 6.9 Tolerance of double direction type angular contact thrust ball bearings

Table 6.9 (1) Inner rings and bearing height Unit μm

Nominal bore diameter d mm		Single plane mean bore diameter deviation Δd_{imp} Single bore diameter deviation Δd_{ts}				Face runout with bore S_d		Inner ring axial runout (with side) S_{ia}		Inner ring width variation V_{Bs}		Height deviation of single direction thrust bearing ΔT_s	
over	incl.	Class 5		Class 4		Class 5 max	Class 4 max	Class 5 max	Class 4 max	Class 5 max	Class 4 max	Class 5, Class 4	
		high	low	high	low							high	low
18	30	0	-6	0	-5	8	4	5	3	5	2.5	0	-300
30	50	0	-8	0	-6	8	4	5	3	5	3	0	-400
50	80	0	-9	0	-7	8	5	6	5	6	4	0	-500
80	120	0	-10	0	-8	9	5	6	5	7	4	0	-600
120	180	0	-13	0	-10	10	6	8	6	8	5	0	-700
180	250	0	-15	0	-12	11	7	8	6	10	6	0	-800
250	315	0	-18	0	-15	13	8	10	8	13	7	0	-900
315	400	0	-23	0	-18	15	9	13	10	15	9	0	-1,000

Table 6.9 (2) Outer rings

Unit μm

Nominal outside diameter mm		Single plane mean outside diameter deviation ΔD_{mp} Single outside diameter deviation ΔD_s		Outside surface inclination S_D		Outer ring axial runout S_{ea}		Outer ring width variation V_{Cs}	
over	incl.	Class 5		Class 4		Class 5 max	Class 4 max	Class 5 max	Class 4 max
		high	low	high	low				
30	50	-30	-40	8	4	According to tolerance of S_{ia} against " d " of the same bearings	5	2.5	
50	80	-40	-50	8	4		6	3	
80	120	-50	-60	9	5		8	4	
120	150	-60	-75	10	5		8	5	
150	180	-60	-75	10	5		8	5	
180	250	-75	-90	11	7		10	7	
250	315	-90	-105	13	8		11	7	
315	400	-110	-125	13	10		13	8	
400	500	-120	-140	15	13	15	10		

6.2 Chamfer measurements and tolerance or allowable values of tapered hole

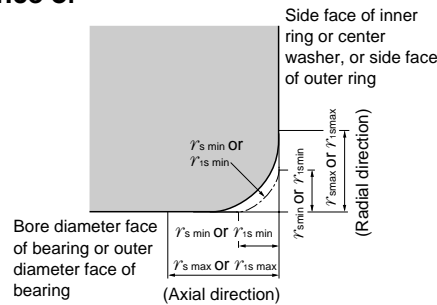


Table 6.10 Allowable critical-value of bearing chamfer

Table 6.10 (1) Radial bearing (Except tapered roller bearing)

Unit mm

$r's \text{ min}$ ^① or $r's \text{ min}$	Nominal bore diameter d		$r's \text{ max OR } r's \text{ max}$	
	over	incl.	Radial direction	Axial direction
0.05	—	—	0.1	0.2
0.08	—	—	0.16	0.3
0.1	—	—	0.2	0.4
0.15	—	—	0.3	0.6
0.2	—	—	0.5	0.8
0.3	—	40	0.6	1
	40	—	0.8	1
0.6	—	40	1	2
	40	—	1.3	2
1	—	50	1.5	3
	50	—	1.9	3
1.1	—	120	2	3.5
	120	—	2.5	4
1.5	—	120	2.3	4
	120	—	3	5
2	—	80	3	4.5
	80	220	3.5	5
	220	—	3.8	6
2.1	—	280	4	6.5
	280	—	4.5	7
2.5	—	100	3.8	6
	100	280	4.5	6
	280	—	5	7
3	—	280	5	8
	280	—	5.5	8
4	—	—	6.5	9
5	—	—	8	10
6	—	—	10	13
7.5	—	—	12.5	17
9.5	—	—	15	19
12	—	—	18	24
15	—	—	21	30
19	—	—	25	38

① These are the allowable minimum dimensions of the chamfer dimension " r " and are described in the dimensional table.

Table 6.10 (2) Tapered roller bearings of metric system

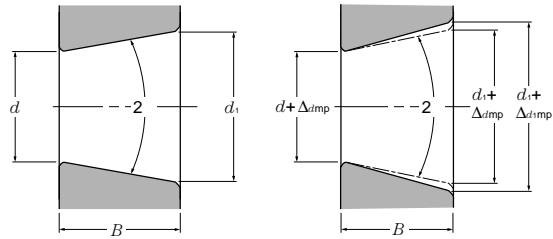
Unit mm

$r's \text{ min}$ ^② or $r's \text{ min}$	Nominal bore diameter of bearing " d " or nominal outside diameter " D "		$r's \text{ max OR } r's \text{ max}$	
	over	incl.	Radial direction	Axial direction
0.3	—	40	0.7	1.4
	40	—	0.9	1.6
0.6	—	40	1.1	1.7
	40	—	1.3	2
1	—	50	1.6	2.5
	50	—	1.9	3
1.5	—	120	2.3	3
	120	250	2.8	3.5
	250	—	3.5	4
2	—	120	2.8	4
	120	250	3.5	4.5
	250	—	4	5
2.5	—	120	3.5	5
	120	250	4	5.5
	250	—	4.5	6
3	—	120	4	5.5
	120	250	4.5	6.5
	250	400	5	7
	400	—	5.5	7.5
4	—	120	5	7
	120	250	5.5	7.5
	250	400	6	8
	400	—	6.5	8.5
5	—	180	6.5	8
	180	—	7.5	9
6	—	180	7.5	10
	180	—	9	11

② These are the allowable minimum dimensions of the chamfer dimension " r " or " r_1 " and are described in the dimensional table.

③ Inner rings shall be in accordance with the division of " d " and outer rings with that of " D ".

Note: This standard will be applied to the bearings whose dimensional series (refer to the dimensional table) are specified in the standard of ISO 355 or JIS B 1512. Further, please consult NTN Engineering for bearings other than.



Theoretical tapered hole

Tapered hole having dimensional difference of the average bore diameter within the flat surface

Table 6.10 (3) Thrust bearings

Unit mm

r_s min OR r_1 min ^④	r_s max OR r_1 max Radial and axial direction
0.05	0.1
0.08	0.16
0.1	0.2
0.15	0.3
0.2	0.5
0.3	0.8
0.6	1.5
1	2.2
1.1	2.7
1.5	3.5
2	4
2.1	4.5
3	5.5
4	6.5
5	8
6	10
7.5	12.5
9.5	15
12	18
15	21
19	25

④ These are the allowable minimum dimensions of the chamfer dimension " r_s " or " r_1 " and are described in the dimensional table.

Table 6.11 (1) Tolerance and allowable values (Class 0) of tapered hole of radial bearings

Unit μ m

d mm		Δd_{imp}		$\Delta d_{1imp} - \Delta d_{imp}$		V_{dp} ^{① ②}
over	incl.	high	low	high	low	max
10	18	+22	0	+15	0	9
18	30	+27	0	+18	0	11
		+33	0	+21	0	13
30	50	+39	0	+25	0	16
50	80	+46	0	+30	0	19
80	120	+54	0	+35	0	22
120	180	+63	0	+40	0	40
180	250	+72	0	+46	0	46
250	315	+81	0	+52	0	52
315	400	+89	0	+57	0	57
400	500	+97	0	+63	0	63
500	630	+110	0	+70	0	70
630	800	+125	0	+80	0	—
800	1,000	+140	0	+90	0	—
1,000	1,250	+165	0	+105	0	—
1,250	1,600	+195	0	+125	0	—

Table 6.11 (2) Allowable variations for radial bearing inner ring tapered bores Standard taper ratio 1:30 (Class 0)

Units μ m

d mm		Δd_{imp}		$\Delta d_{1imp} - \Delta d_{imp}$		V_{dp} ^{① ②}
over	incl.	over	below	over	below	max
50	80	+15	0	+30	0	19
80	120	+20	0	+35	0	22
120	180	+25	0	+40	0	40
180	250	+30	0	+46	0	46
250	315	+35	0	+52	0	52
315	400	+40	0	+57	0	57
400	500	+45	0	+63	0	63
500	630	+50	0	+70	0	70

① Applies to all radial flat planes of inner ring tapered bore.

② Does not apply to diameter series 7 and 8.

Note: Quantifiers

For a standard taper ratio of 1:12 $d_1 = d + \frac{1}{12} B$

For a standard taper ratio of 1:30 $d_1 = d + \frac{1}{30} B$

Δd_{imp} : Dimensional difference of the average bore diameter within the flat surface at the theoretical small end of the tapered bore.

Δd_{1imp} : Dimensional difference of the average bore diameter within the flat surface at the theoretical large end of the tapered bore.

V_{dp} : Unevenness of the bore diameter with the flat surface

B : Nominal width of inner ring

: Half of the tapered bore's nominal taper angle

For a standard taper ratio of 1:12 = 2° 23' 9.4"

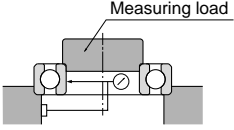
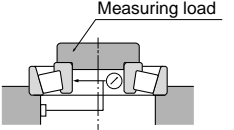
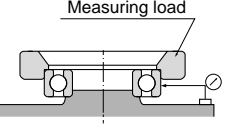
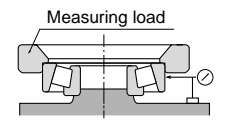
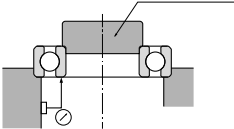
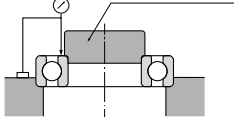
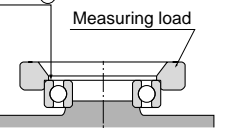
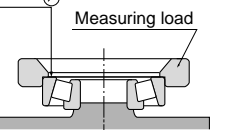
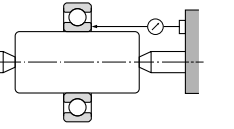
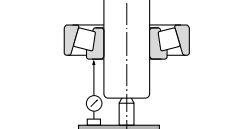
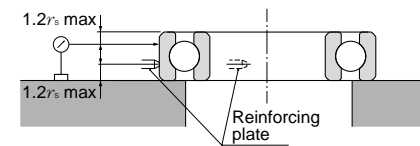
For a standard taper ratio of 1:30 = 0° 57' 7.4"

6.3 Bearing tolerance measurement methods

For reference, measurement methods for rolling bearing tolerances are in JIS B 1515.

Table 6.12 shows some of the major methods of measuring rotation tolerances.

Table 6.12 Rotation tolerance measurement methods

Characteristic tolerance	Measurement method	
Inner ring radial runout (K_{ia})		 <p>For inner ring radial runout, record the total indicator reading (TIR)</p>
Outer ring radial runout (K_{ea})		 <p>For outer ring radial runout, record the total indicator reading (TIR) after one revolution.</p>
Inner ring axial runout (S_{ia})		 <p>For inner ring axial runout, record the total indicator reading (TIR) after rotating the inner ring one revolution.</p>
Outer ring axial runout (S_{ea})		 <p>For outer ring axial runout, record the total indicator reading (TIR) after rotating the inner ring one revolution.</p>
Inner ring side runout with bore (S_a)		 <p>For inner ring side runout with bore, record the total indicator reading (TIR) after rotating the inner ring one revolution with a tapered mandrel.</p>
Outer ring outside surface inclination (S_b)		<p>For outer ring outside surface inclination, record the total indicator reading (TIR) after aligning the ring with the reinforcing plate and rotating it one revolution.</p>

7 Bearing Fits

7.1 Interference

For rolling bearings, inner and outer rings are fixed on the shaft or in the housing so that relative movement does not occur between fitted surfaces during operation or under load. This relative movement (referred to as "creep") between the fitted surfaces of the bearing and the shaft or housing can occur in a radial direction, an axial direction, or in the direction of rotation. To help prevent this creeping movement, bearing rings and the shaft or housing are installed with one of three interference fits, a **"tight fit"** (also called shrink fit), **"transition fit,"** or **"loose fit"** (also called clearance fit), and the degree of interference between their fitted surfaces varies.

The most effective way to fix the fitted surfaces between a bearing's raceway and shaft or housing is to apply a **"tight fit."** The advantage of this tight fit for thin walled bearings is that it provides uniform load support over the entire ring circumference without any loss of load carrying capacity. However, with a tight fit, ease of installation and disassembly is lost; and when using a non-separable bearing as the floating-side bearing, axial displacement is not possible. For this reason, a tight fit cannot be recommended in all cases.

7.2 The necessity of a proper fit

In some cases, improper fit may lead to damage and shorten bearing life, therefore it is necessary to make a careful analysis in selecting a proper fit. Some of the negative conditions caused by improper fit are listed below.

- Raceway cracking, early peeling and displacement of raceway

- Raceway and shaft or housing abrasion caused by creeping and fretting corrosion
- Seizing caused by loss of internal clearances
- Increased noise and lowered rotational accuracy due to raceway groove deformation

Please refer to insert pages A-93 - A94 for information concerning diagnosis of these conditions.

7.3 Fit selection

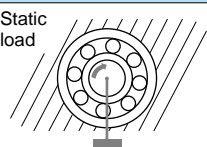
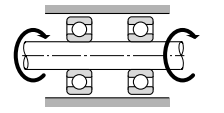
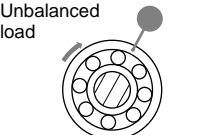
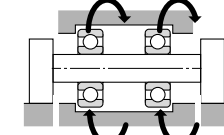
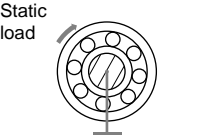
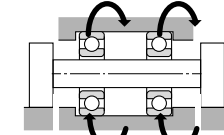
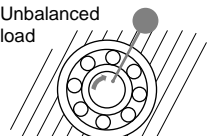
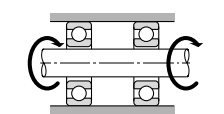
Selection of a proper fit is dependent upon thorough analysis of bearing operating conditions, including consideration of:

- Shaft and housing material, wall thickness, finished surface accuracy, etc.
- Machinery operating conditions (nature and magnitude of load, rotational speed, temperature, etc.)

7.3.1 "Tight fit," "transition fit," or "loose fit"

- (1) For raceways under rotating loads, a tight fit is necessary. (Refer to **Table 7.1** "Raceways under rotating loads" refers to raceways receiving loads rotating relative to their radial direction. For raceways under static loads, on the other hand, a loose fit is sufficient.
(Example) Rotating inner ring load = the direction of the radial load on the inner ring is rotating relatively
- (2) For non-separable bearings, such as deep groove ball bearings, it is generally recommended that either the inner ring or outer ring be given a loose fit.

Table 7.1 Radial load and bearing fit

Illustration	Bearing rotation	Ring load	Fit
	 <p>Inner ring: Rotating Outer ring: Stationary</p>	Rotating inner ring load	Inner ring : Tight fit
	 <p>Inner ring: Stationary Outer ring: Rotating</p>	Static outer ring load	Outer ring : Loose fit
	 <p>Inner ring: Stationary Outer ring: Rotating</p>	Static inner ring load	Inner ring : Loose fit
	 <p>Inner ring: Rotating Outer ring: Stationary</p>	Rotating outer ring load	Outer ring : Tight fit

7.3.2 Recommended Fits

Bearing fit is governed by the selection tolerances for bearing shaft diameters and housing bore diameters.

Widely used fits for 0 Class tolerance bearings and various shaft and housing bore diameter tolerances are shown in **Table 7.1**.

Generally-used, standard fits for most types of bearings and operating conditions are shown in **Tables 7.2 - 7.7**.

Table 7.2: Fits for radial bearings

Table 7.3: Fits for thrust bearings

Table 7.4: Fits for electric motor bearings

Table 7.6: Fits for inch series tapered roller bearings (ANSI Class 4)

Table 7.7: Fits for inch series tapered roller bearings (ANSI Class 3 and 0)

Table 7.5. shows fits and their numerical values.

For special fits or applications, please consult NTN Engineering.

7.3.3 Interference minimum and maximum values

The following points should be considered when it is necessary to calculate the interference for an application:

- In calculating the minimum required amount of interference keep in mind that:
 - 1) interference is reduced by radial loads
 - 2) interference is reduced by differences between bearing temperature and ambient temperature
 - 3) interference is reduced by variation of fitted surfaces
- Maximum interference should be no more than 1:1000 of the shaft diameter or outer diameter.

Required interference calculations are shown below.

(1) Radial loads and required interference

Interference between inner rings mounted on solid shafts is reduced when acted upon by radial loads. Calculation of the minimum required amount of interference in such cases is shown in formulae (7.1) and (7.2).

$$\begin{aligned} F_r &= 0.3 C_{or} \\ \Delta_{aF} &= 0.08 (d \cdot F_r / B)^{1/2} \quad \text{N} \\ &= 0.25 (d \cdot F_r / B)^{1/2} \quad \text{\{ kgf \}} \end{aligned} \quad \dots\dots(7.1)$$

$$\begin{aligned} F_r &> 0.3 C_{or} \\ \Delta_{aF} &= 0.02 (F_r / B) \quad \text{N} \\ &= 0.2 (F_r / B) \quad \text{\{ kgf \}} \end{aligned} \quad \dots\dots(7.2)$$

Where,

- Δ_{aF} : Required effective interference for load μm
- d : Nominal bore diameter mm
- B : Inner ring width mm
- F_r : Radial load N { kgf }
- C_{or} : Basic static rated load N { kgf }

(2) Temperature difference and required interference

Interference between inner rings and steel shafts is reduced as a result of temperature increases (difference between bearing temperature and ambient temperature, ΔT) caused by bearing rotation. Calculation of the minimum required amount of interference in such cases is

shown in formulae (7.1).

$$\Delta_{aT} = 0.0015 d \Delta T \dots\dots\dots(7.3)$$

- Δ_{aT} : Required effective interference for temperature difference μm
- ΔT : Difference between bearing temperature and ambient temperature $^{\circ}\text{C}$
- d : Bearing bore diameter mm

(3) Fitted surface variation and required interference

Interference between fitted surfaces is reduced by roughness and other slight variations of these surfaces which are flattened in the fitting process. The degree of reduced interference depends upon the finish treatment of these surfaces, but in general it is necessary to assume the following interference reductions.

- For ground shafts: 1.0 ~ 2.5 μm
- For lathed shafts: 5.0 ~ 7.0 μm

(4) Maximum interference

When bearing rings are installed with an interference fit, tension or compression stress may occur along their raceways. If interference is too great, this may cause damage to the rings and reduce bearing life. For these reasons, maximum interference should not exceed the previously mentioned ratio of 1:1,000 of shaft or outside diameter.

7.3.4 Other details

- (1) Tight interference fits are recommended for,
 - Operating conditions with large vibration or shock loads
 - Applications using hollow shafts or housings with thin walls
 - Applications using housings made of light alloys or plastic
- (2) Loose interference fits are preferable for,
 - Applications requiring high running accuracy
 - Applications using small sized bearings or thin walled bearings

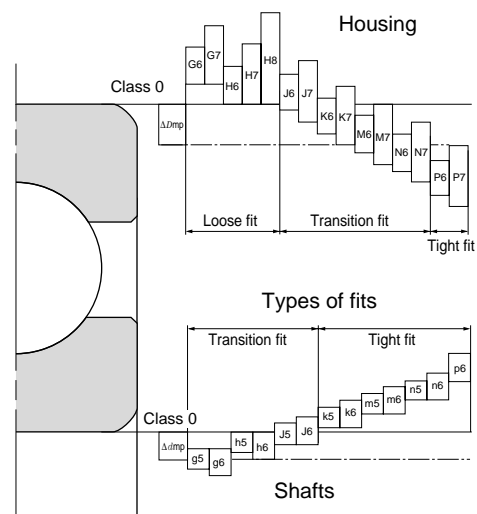


Fig 7.1

(3) Consideration must also be given to the fact that fit selection will effect internal bearing clearance selection. (refer to page insert A-56)

(4) A particular type of fit is recommended for SL type cylindrical roller bearings.

Table 7.2 General standards for radial bearing fits (JIS Class 0, 6, 6X)

Table 7.2 (1)

Nature of load	Fit	Load conditions, magnitude	Load conditions, magnitude Ball bearing		Cylindrical roller bearing Tapered roller bearing		Spherical roller bearings		Remarks
			Shaft diameter over mm incl	Tolerance class	Shaft diameter over mm incl	Tolerance class	Shaft diameter over mm incl	Tolerance class	
Indeterminate direction load Rotating inner ring load	Tight fit / Transition fit	Light or fluctuating variable load ^①	~ 18 18 ~ 100 100 ~ 200	h5 js6 k6	~ 40 40 ~ 140 140 ~ 200	js6 k6 m6			When greater accuracy is required js5, k5, and m5 may be substituted for js6, k6, and m6.
		Normal load ^①	~ 18 18 ~ 100 100 ~ 140 140 ~ 200 200 ~ 280	js5 k5 m5 m6 n6	~ 40 40 ~ 100 100 ~ 140 140 ~ 200 200 ~ 400	k5 m5 m6 n6 p6	~ 40 40 ~ 65 65 ~ 100 100 ~ 140 140 ~ 280 280 ~ 500	k5 m5 m6 n6 p6 r6	Alteration of inner clearances to accommodate fit is not a consideration with single-row angular contact bearings and tapered roller bearings. Therefore, k5 and m5 may be substituted for k6 and m6.
		Heavy load or shock load ^①			50 ~ 140 140 ~ 200 200 ~	n6 p6 r6	50 ~ 100 100 ~ 140 140 ~ 200	n6 p6 r6	Use bearings with larger internal clearances than CN clearance bearings.
Static inner ring load	Transition fit	Inner ring axial displacement possible	All shaft diameters	g6	All shaft diameters	g6	All shaft diameters	g6	When greater accuracy is required use g5. For large bearings, f6 may be used.
		Inner ring axial displacement unnecessary		h6		h6		h6	When greater accuracy is required use h5.
Centric axial load only	Transition fit	All loads	All shaft diameters	js6	All shaft diameters	js6	All shaft diameters	js6	General; depending on the fit, shaft and inner rings are not fixed.

Table 7.2 (2) Fit with shaft (fits for tapered bore bearings (Class 0) with adapter assembly/withdrawal sleeve)

All loads	All bearing types	All shaft diameters	Tolerance class	h9 / IT5 ^②	General applications
				h10/ IT7 ^②	Transmission shafts, etc.

^① Standards for light loads, normal loads, and heavy loads

- Light loads: equivalent radial load $0.06 C_r$
- Normal loads: $0.06 C_r < \text{equivalent radial load} < 0.12 C_r$
- Heavy loads: $0.12 C_r < \text{equivalent radial load}$

^② IT5 and IT7 show shaft roundness tolerances, cylindricity tolerances, and related values.

Note: All values and fits listed in the above tables are for solid steel shafts.

Table 7.2 (3) Housing fits

Nature of load	Housing	Fit	Load conditions, magnitude	Tolerance class	Outer ring axial displacement ②	Remarks
Rotating outer ring load or static outer ring load	Solid or split housing	Loose fit	All loads	H7	Displacement possible	G7 also acceptable for large type bearings as well as outer rings and housings with large temperature differences.
				G7	Easy displacement	
			Light ① to normal load	H8	Displacement possible	—
			Shaft and inner rings reach high temperature	G7	Easy displacement	F7 also acceptable for large type bearings as well as outer rings and housings with large temperature differences.
			F7	Easy displacement		
			Transition or loose fit	Requires silent operation	H6	Displacement possible
High rotation accuracy required with light to normal loads	Js6	Displacement not possible (in principle)		Applies primarily to ball bearings		
Direction indeterminate load	Solid housing	Tight to transition fit	Light to normal load	Js7	Displacement possible	When greater accuracy is required substitute Js6 for Js7 and K6 for K7.
			Normal to heavy load	K7	Displacement not possible (in principle)	
			Heavy shock load	M7	Displacement not possible	—
Inner ring static load or outer ring rotating load	Solid housing	Tight fit	Light or variable load	M7	Displacement not possible	—
			Normal to heavy load	N7	Displacement not possible	Applies primarily to ball bearings
			Heavy load (thin wall housing) or heavy shock load	P7	Displacement not possible	Applies primarily to roller bearings
Centered axial load only - Loose fit		Loose fit	—		Select a tolerance class that will provide clearance between outer ring and housing.	—

① Standards for light loads, normal loads, and heavy loads

- Light loads: equivalent radial load $0.06 C_r$
- Normal loads: $0.06 C_r < \text{equivalent radial load} < 0.12 C_r$
- Heavy loads: $0.12 C_r < \text{equivalent radial load}$

② Indicates whether or not outer ring axial displacement is possible with non-separable type bearings.

Note 1: All values and fits listed in the above tables are for cast iron or steel housings.

2: In cases where only a centered axial load acts on the bearing, select a tolerance class that will provide clearance in the axial direction for the outer ring.

Table 7.3 Standard fits for thrust bearings (JIS Class 0 and 6)

Table 7.3 (1) Shaft fits

Bearing type	Load conditions	Fit	Shaft diameter mm over incl	Tolerance class
All thrust bearings	Centered axial load only	Transition fit	All sizes	js6 or h6
Self-aligning roller thrust bearings	Combined load Inner ring static load or Inner ring rotating load or direction indeterminate load	Transition fit	All sizes	js6
		Transition fit Tight fit	— ~ 200 200 ~ 400 400 ~	k6 or js6 m6 or k6 n6 or m6

Table 7.3 (2) Housing fits

Bearing type	Load conditions	Fit	Tolerance class	Remarks
All thrust bearings	Centered axial load only	Loose fit	Select a tolerance class that will provide clearance between outer ring and housing.	
			H8	Greater accuracy required with thrust ball bearings
Self-aligning roller thrust bearings	Combined load Outer ring static load or Direction Indeterminate load or outer ring rotating load	Transition fit	H7	—
			K7	Normal operating conditions
			M7	For relatively large radial loads

Note: All values and fits listed in the above tables are for cast iron or steel housings.

Table 7.4 Fits for electric motor bearings

Bearing type	Shaft fits		Housing bore diameter	
	Shaft diameter mm Over incl	Tolerance class	Housing fits	Tolerance class
Deep groove ball bearings	~ 18	j5	All sizes	H6
	18 ~ 100	k5		or
	100 ~ 160	m5		J6
Cylindrical roller bearings	~ 40	k5	All sizes	H6
	40 ~ 160	m5		or
	160 ~ 200	n6		J6

Table 7.5 Numeric value table of fitting for radial bearing of 0 class

Table 7.5 (1) Fitting against shaft

Nominal bore diameter of bearing <i>d</i> mm over incl	Single plane mean bore diameter deviation Δd_{mp} high low		g5		g6		h5		h6		j5		js5		j6	
			bearing	shaft	bearing	shaft	bearing	shaft	bearing	shaft	bearing	shaft	bearing	shaft	bearing	shaft
3 6	0	-8	4T ~ 9L	4T ~ 12L	8T ~ 5L	8T ~ 8L	11T ~ 2L	10.5T ~ 2.5L	14T ~ 2L							
6 10	0	-8	3T ~ 11L	3T ~ 14L	8T ~ 6L	8T ~ 9L	12T ~ 2L	11T ~ 3L	15T ~ 2L							
10 18	0	-8	2T ~ 14L	2T ~ 17L	8T ~ 8L	8T ~ 11L	13T ~ 3L	12T ~ 4L	16T ~ 3L							
18 30	0	-10	3T ~ 16L	3T ~ 20L	10T ~ 9L	10T ~ 13L	15T ~ 4L	14.5T ~ 4.5L	19T ~ 4L							
30 50	0	-12	3T ~ 20L	3T ~ 25L	12T ~ 11L	12T ~ 16L	18T ~ 5L	17.5T ~ 5.5L	23T ~ 5L							
50 80	0	-15	5T ~ 23L	5T ~ 29L	15T ~ 13L	15T ~ 19L	21T ~ 7L	21.5T ~ 6.5L	27T ~ 7L							
80 120	0	-20	8T ~ 27L	8T ~ 34L	20T ~ 15L	20T ~ 22L	26T ~ 9L	27.5T ~ 7.5L	33T ~ 9L							
120 140 140 160 160 180	0	-25	11T ~ 32L	11T ~ 39L	25T ~ 18L	25T ~ 25L	32T ~ 11L	34T ~ 9L	39T ~ 11L							
180 200 200 225 225 250	0	-30	15T ~ 35L	15T ~ 44L	30T ~ 20L	30T ~ 29L	37T ~ 13L	40T ~ 10L	46T ~ 13L							
250 280 280 315	0	-35	18T ~ 40L	18T ~ 49L	35T ~ 23L	35T ~ 32L	42T ~ 16L	46.5T ~ 11.5L	51T ~ 16L							
315 355 355 400	0	-40	22T ~ 43L	22T ~ 54L	40T ~ 25L	40T ~ 36L	47T ~ 18L	52.5T ~ 12.5L	58T ~ 18L							
400 450 450 500	0	-45	25T ~ 47L	25T ~ 60L	45T ~ 27L	45T ~ 40L	52T ~ 20L	58.5T ~ 13.5L	65T ~ 20L							

① Above table is not applicable to tapered roller bearings whose bore diameter is 30mm or less.

Table 7.5 (2) Fitting against housing

Nominal outside diameter of bearing <i>d</i> mm over incl	Single plane mean outside diameter deviation ΔD_{mp} high. low.		G7		H6		H7		J6		J7		Js7		K6	
			housing	bearing	housing	bearing	housing	bearing	housing	bearing	housing	bearing	housing	bearing	housing	bearing
6 10	0	-8	5L ~ 28L	0 ~ 17L	0 ~ 23L	4T ~ 13L	7T ~ 16L	7.5T ~ 15.5L	7T ~ 10L							
10 18	0	-8	6L ~ 32L	0 ~ 19L	0 ~ 26L	5T ~ 14L	8T ~ 18L	9T ~ 17L	9T ~ 10L							
18 30	0	-9	7L ~ 37L	0 ~ 22L	0 ~ 30L	5T ~ 17L	9T ~ 21L	10.5T ~ 19.5L	11T ~ 11L							
30 50	0	-11	9L ~ 45L	0 ~ 27L	0 ~ 36L	6T ~ 21L	11T ~ 25L	12.5T ~ 23.5L	13T ~ 14L							
50 80	0	-13	10L ~ 53L	0 ~ 32L	0 ~ 43L	6T ~ 26L	12T ~ 31L	15T ~ 28L	15T ~ 17L							
80 120	0	-15	12L ~ 62L	0 ~ 37L	0 ~ 50L	6T ~ 31L	13T ~ 37L	17.5T ~ 32.5L	18T ~ 19L							
120 150	0	-18	14L ~ 72L	0 ~ 43L	0 ~ 58L	7T ~ 36L	14T ~ 44L	20T ~ 38L	21T ~ 22L							
150 180	0	-25	14L ~ 79L	0 ~ 50L	0 ~ 65L	7T ~ 43L	14T ~ 51L	20T ~ 45L	21T ~ 29L							
180 250	0	-30	15L ~ 91L	0 ~ 59L	0 ~ 76L	7T ~ 52L	16T ~ 60L	23T ~ 53L	24T ~ 35L							
250 315	0	-35	17L ~ 104L	0 ~ 67L	0 ~ 87L	7T ~ 60L	16T ~ 71L	26T ~ 61L	27T ~ 40L							
315 400	0	-40	18L ~ 115L	0 ~ 76L	0 ~ 97L	7T ~ 69L	18T ~ 79L	28.5T ~ 68.5L	29T ~ 47L							
400 500	0	-45	20L ~ 128L	0 ~ 85L	0 ~ 108L	7T ~ 78L	20T ~ 88L	31.5T ~ 76.5L	32T ~ 53L							

② Above table is not application to tapered roller bearings whose outside diameter is 150mm or less.

Note: T = tight, L = loose

Unit μm

js6		k5		k6		m5		m6		n6		p6		r6		Nominal bore diameter of bearing d mm over incl.
bearing	shaft	bearing	shaft	bearing	shaft	bearing	shaft	bearing	shaft	bearing	shaft	bearing	shaft	bearing	shaft	
12T ~ 4L		14T ~ 1T		17T ~ 1T		17T ~ 4T		20T ~ 4T		24T ~ 8T		28T ~ 12T	-	-		3 6
12.5T ~ 4.5L		15T ~ 1T		18T ~ 1T		20T ~ 6T		23T ~ 6T		27T ~ 10T		32T ~ 15T	-	-		6 10
13.5T ~ 5.5L		17T ~ 1T		20T ~ 1T		23T ~ 7T		26T ~ 7T		31T ~ 12T		37T ~ 18T	-	-		10 18
16.5T ~ 6.5L		21T ~ 2T		25T ~ 2T		27T ~ 8T		31T ~ 8T		38T ~ 15T		45T ~ 22T	-	-		18 30
20T ~ 8L		25T ~ 2T		30T ~ 2T		32T ~ 9T		37T ~ 9T		45T ~ 17T		54T ~ 26T	-	-		30 50
24.5T ~ 9.5L		30T ~ 2T		36T ~ 2T		39T ~ 11T		45T ~ 11T		54T ~ 20T		66T ~ 32T	-	-		50 80
31T ~ 11L		38T ~ 3T		45T ~ 2T		48T ~ 13T		55T ~ 13T		65T ~ 23T		79T ~ 37T	-	-		80 120
37.5T ~ 12.5L		46T ~ 3T		53T ~ 3T		58T ~ 15T		65T ~ 15T		77T ~ 27T		93T ~ 43T	113T ~ 63T 115T ~ 65T 118T ~ 68T		120 140 140 160 160 180	
44.5T ~ 14.5L		54T ~ 4T		63T ~ 4T		67T ~ 17T		76T ~ 17T		90T ~ 31T		109T ~ 50T	136T ~ 77T 139T ~ 80T 143T ~ 84T		180 200 200 225 225 250	
51T ~ 16L		62T ~ 4T		71T ~ 4T		78T ~ 20T		87T ~ 20T		101T ~ 34T		123T ~ 56T	161T ~ 94T 165T ~ 98T		250 280 280 315	
58T ~ 18L		69T ~ 4T		80T ~ 4T		86T ~ 21T		97T ~ 21T		113T ~ 37T		138T ~ 62T	184T ~ 108T 190T ~ 114T		315 355 355 400	
65T ~ 20L		77T ~ 5T		90T ~ 4T		95T ~ 23T		108T ~ 23T		125T ~ 40T		153T ~ 68T	211T ~ 126T 217T ~ 132T		400 450 450 500	

 Unit μm

K7		M7		N7		P7		Nominal outside diameter of bearing d mm over incl.
housing	bearing	housing	bearing	housing	bearing	housing	bearing	
10T ~ 13L		15T ~ 8L		19T ~ 4L		24T ~ 1L		6 10
12T ~ 14L		18T ~ 8L		23T ~ 3L		29T ~ 3L		10 18
15T ~ 15L		21T ~ 9L		28T ~ 2L		35T ~ 5L		18 30
18T ~ 18L		25T ~ 11L		33T ~ 3L		42T ~ 6L		30 50
21T ~ 22L		30T ~ 13L		39T ~ 4L		52T ~ 8L		50 80
25T ~ 25L		35T ~ 15L		45T ~ 5L		59T ~ 9L		80 120
28T ~ 30L		40T ~ 18L		52T ~ 6L		68T ~ 10L		120 150
28T ~ 37L		40T ~ 25L		52T ~ 13L		68T ~ 3L		150 180
33T ~ 43L		46T ~ 30L		60T ~ 16L		79T ~ 3L		180 250
36T ~ 51L		52T ~ 35L		66T ~ 21L		88T ~ 1L		250 315
40T ~ 57L		57T ~ 40L		73T ~ 24L		98T ~ 1L		315 400
45T ~ 63L		63T ~ 45L		80T ~ 28L		108T ~ 0		400 500

Table 7.6 Fits for inch series tapered roller bearing (ANSI class 4)

Table 7.6 (1) Fit with shaft

Unit μm

Load conditions		Shaft diameter d mm		Cone bore tolerance Δ_{ds}		Shaft tolerance		Extreme fits ^①		Remark
		over	incl.	high	low	high	low	max	min	
Rotating cone load	Normal loads, no shock	~ 76.2		+13	0	+ 38	+ 25	38T	~ 12T	This extreme fits is applicable to little shock load conditions.
		76.2 ~ 304.8		+25	0	+ 64	+ 38	64T	~ 13T	
304.8 ~ 609.6			+51	0	+127	+ 76	127T	~ 25T		
609.6 ~ 914.4			+76	0	+190	+114	190T	~ 38T		
Heavy loads or shock loads	~ 76.2		+13	0	+ 64	+ 38	38T	~ 12T		
	76.2 ~ 304.8		+25	0	Use average tight cone fit of 0.5 $\mu\text{m}/\text{mm}$, (0.0005 inch/inch) of cone bore, use a minimum fit of 25 μm , 0.0010 inch tight.					
	304.8 ~ 609.6		+51	0						
	609.6 ~ 914.4		+76	0						
Stationary cone load	Cone axial displacement on shaft necessary	~ 76.2		+13	0	+ 13	0	13T	~ 13L	This extreme fits is not applicable to shock load conditions.
		76.2 ~ 304.8		+25	0	+ 25	0	25T	~ 25L	
		304.8 ~ 609.6		+51	0	+ 51	0	51T	~ 51L	
		609.6 ~ 914.4		+76	0	+ 76	0	76T	~ 76L	
Cone axial displacement on shaft unnecessary	~ 76.2		+13	0	0	- 13	0	~ 13L		
	76.2 ~ 304.8		+25	0	0	- 25	0	~ 50L		
	304.8 ~ 609.6		+51	0	0	- 51	0	~ 102L		
	609.6 ~ 914.4		+76	0	0	- 76	0	~ 152L		

Table 7.6 (2) Fit with housing

Unit μm

Load conditions		Housing bore diameter D mm		Cup O.D. tolerance Δ_{Ds}		Housing bore tolerance		Extreme fits ^①		Types of fit
		over	incl.	high	low	high	low	max	min	
Stationary cup load	Light and normal loads: cup easily axially displaceable	~ 76.2		+25	0	+ 76	+ 51	26L	~ 76L	loose fit
		76.2 ~ 127.0		+25	0	+ 76	+ 51	26L	~ 76L	
		127.0 ~ 304.8		+25	0	+ 76	+ 51	26L	~ 76L	
		304.8 ~ 609.6		+51	0	+152	+102	51L	~ 152L	
	Light and normal loads: cup axially adjustable	~ 76.2		+25	0	+ 25	0	25T	~ 25L	tight interference fit
		76.2 ~ 127.0		+25	0	+ 25	0	25T	~ 25L	
		127.0 ~ 304.8		+25	0	+ 51	0	25T	~ 51L	
		304.8 ~ 609.6		+51	0	+ 76	+ 26	25T	~ 76L	
	Heavy loads: cup not axially displaceable	~ 76.2		+25	0	- 13	- 38	63T	~ 13T	tight fit
		76.2 ~ 127.0		+25	0	- 25	- 51	76T	~ 25T	
		127.0 ~ 304.8		+25	0	- 25	- 51	76T	~ 25T	
		304.8 ~ 609.6		+51	0	- 25	- 76	127T	~ 25T	
Rotating cup load	~ 76.2		+25	0	- 13	- 38	63T	~ 13T		
	76.2 ~ 127.0		+25	0	- 25	- 51	76T	~ 25T		
	127.0 ~ 304.8		+25	0	- 25	- 51	76T	~ 25T		
	304.8 ~ 609.6		+51	0	- 25	- 76	127T	~ 25T		
Cup not axially displaceable	~ 76.2		+25	0	- 13	- 38	63T	~ 13T		
	76.2 ~ 127.0		+25	0	- 25	- 51	76T	~ 25T		
	127.0 ~ 304.8		+25	0	- 25	- 51	76T	~ 25T		
	304.8 ~ 609.6		+51	0	- 25	- 76	127T	~ 25T		
Cup not axially displaceable	~ 76.2		+25	0	- 13	- 38	63T	~ 13T		
	76.2 ~ 127.0		+25	0	- 25	- 51	76T	~ 25T		
	127.0 ~ 304.8		+25	0	- 25	- 51	76T	~ 25T		
	304.8 ~ 609.6		+51	0	- 25	- 76	127T	~ 25T		

① For bearings with negation deviation indicated in bearing tables, same fit applies.

Note 1: For bearings higher than class 2, consult NTN Engineering.

2: T= tight, L= loose

Table 7.7 Fits for inch series tapered roller bearing (ANSI classes 3 and 0)

Table 7. (1) Fit with shaft

Unit μm

Load conditions		Shaft diameter d mm		Cone bore tolerance $\Delta_{i/s}$		Shaft tolerance		Extreme fits ¹	
		over	incl.	high	low	high	low	max	min
Rotating cone load	precision machine tool spindles	~ 304.8		+13	0	+ 30	+ 18	30T	~ 5T
		304.8	~ 609.6	+25	0	+ 64	+ 38	64T	~ 13T
609.6		~ 914.4	+38	0	+102	+ 64	102T	~ 26T	
heavy loads, or high speed or shock	~ 76.2		+13	0	Use minimum tight cone fit of 0.25 $\mu\text{m}/\text{mm}$ 0.00025 inch/inch of cone bore.				
	76.2	~ 304.8	+13	0					
	304.8	~ 609.6	+25	0					
609.6	~ 914.4	+38	0						
Stationary cone load	precision machine tool spindles	~ 304.8		+13	0	+ 13	0	30T	~ 5T
		304.8	~ 609.6	+25	0	+ 25	0	64T	~ 13T
		609.6	~ 914.4	+38	0	+102	0	102T	~ 26T

Note: Must be applied for maximum bore dia. 241.300mm (9.500 inch) in case of class 0 product.

Table 7.7 (2) Fit with housing

Unit μm

Load conditions		Housing bore diameter D mm		Cup O.D. tolerance Δ_{Ds}		Housing bore tolerance		Extreme fits ¹		Type of fit
		over	incl.	high	low	high	low	max	min	
Stationary cup load	Floating	~ 152.4		+13	0	+ 38	+ 25	12L	~ 38L	loose fit
		152.4	~ 304.8	+13	0	+ 38	+ 25	12L	~ 38L	
		304.8	~ 609.6	+25	0	+ 64	+ 38	13L	~ 64L	
		609.6	~ 914.4	+38	0	+ 89	+ 51	13L	~ 89L	
	Clamped	~ 152.4		+13	0	+ 25	+ 13	0	~ 25L	loose fit
		152.4	~ 304.8	+13	0	+ 25	+ 13	0	~ 25L	
		304.8	~ 609.6	+25	0	+ 51	+ 25	0	~ 51L	
		609.6	~ 914.4	+38	0	+ 76	+ 38	0	~ 76L	
	Adjustable	~ 152.4		+13	0	+ 13	0	13T	~ 13L	tight interference fit
		152.4	~ 304.8	+13	0	+ 13	0	13T	~ 13L	
		304.8	~ 609.6	+13	0	+ 25	0	25T	~ 25L	
		609.6	~ 914.4	+38	0	+ 38	0	38T	~ 38L	
Non adjustable or in carriers	~ 152.4		+13	0	0	- 13	26T	~ 0	tight fit	
	152.4	~ 304.8	+13	0	0	- 25	38T	~ 0		
	304.8	~ 609.6	+25	0	0	- 25	50T	~ 0		
	609.6	~ 914.4	+38	0	0	- 38	76T	~ 0		
Rotating cup load	Non adjustable or in carriers	~ 152.4		+13	0	- 13	- 25	38T	~ 13T	tight fit
		152.4	~ 304.8	+13	0	- 13	- 38	51T	~ 13T	
		304.8	~ 609.6	+25	0	- 13	- 38	63T	~ 13T	
		609.6	~ 914.4	+38	0	- 13	- 51	89T	~ 13T	

Note 1: T= tight, L= loose

2: Must be applied for maximum cup OD 304.800mm (12.000 inch) in case of class 0 product.

8. Bearing Internal Clearance and Preload

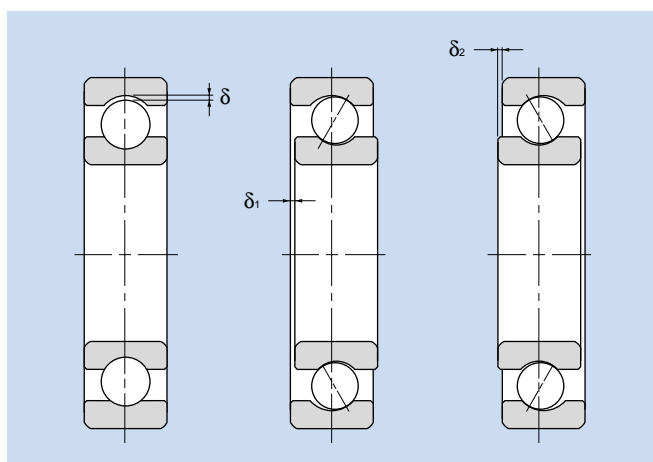
8.1 Bearing internal clearance

Bearing internal clearance (initial clearance) is the amount of internal clearance a bearing has before being installed on a shaft or in a housing.

As shown in **Fig. 8.1**, when either the inner ring or the outer ring is fixed and the other ring is free to move, displacement can take place in either an axial or radial direction. This amount of displacement (radially or axially) is termed the internal clearance and, depending on the direction, is called the radial internal clearance or the axial internal clearance.

When the internal clearance of a bearing is measured, a slight measurement load is applied to the raceway so the internal clearance may be measured accurately. However, at this time, a slight amount of elastic deformation of the bearing occurs under the measurement load, and the clearance measurement value (measured clearance) is slightly larger than the true clearance. This discrepancy between the true bearing clearance and the increased amount due to the elastic deformation must be compensated for. These compensation values are given in **Table 8.1**. For roller bearings the amount of elastic deformation can be ignored.

The internal clearance values for each bearing class are shown in **Tables 8.3** through **8.11**.



Radial clearance = δ Axial clearance = $\delta_1 + \delta_2$

Fig. 8.1 Internal clearance

8.2 Internal clearance selection

The internal clearance of a bearing under operating conditions (effective clearance) is usually smaller than the same bearing's initial clearance before being installed and operated. **This is due to several factors including bearing fit, the difference in temperature between the inner and outer rings, etc. As a bearing's operating clearance has an effect on bearing life, heat generation, vibration, noise, etc.; care must be taken in selecting the most suitable operating clearance.**

Effective internal clearance:

The internal clearance differential between the initial clearance and the operating (effective) clearance (the amount of clearance reduction caused by interference fits, or clearance variation due to the temperature difference between the inner and outer rings) can be calculated by the following formula:

$$e_{eff} = e_0 - (f + t) \dots\dots\dots (8.1)$$

where,

- e_{eff} : Effective internal clearance, mm
- e_0 : Bearing internal clearance, mm
- f : Reduced amount of clearance due to interference, mm
- t : Reduced amount of clearance due to temperature differential of inner and outer rings, mm

Table 8.1 Adjustment of radial internal clearance based on measured load

Nominal Bore Diameter <i>d</i> mm	Measuring Load N { kgf }	Radial Clearance Increase					
		C2	CN	C3	C4	C5	
10 ^①	18	24.5 { 2.5 }	3~4	4	4	4	4
18	50	49 { 5 }	4~5	5	6	6	6
50	200	147 { 15 }	6~8	8	9	9	9

① This diameter is included in the group.

Table 8.2 Examples of applications where bearing clearances other than normal clearance are used

Operating conditions	Applications	Selected clearance
With heavy or shock load, clearance is great.	Railway vehicle axles	C3
	Vibration screens	C3 , C4
With direction indeterminate load, both inner and outer rings are tight-fitted.	Railway vehicle traction motors	C4
	Tractors and final speed regulators	C4
Shaft or inner ring is heated.	Paper making machines and driers	C3 , C4
	Rolling mill table rollers	C3
To reduce noise and vibration when rotating.	Micromotors	C2 , CM
To reduce shaft runout, clearance is adjusted.	Main spindles of lathes (Double-row cylindrical roller bearings)	C9NA , C0NA

(1) Reduced clearance due to interference

When bearings are installed with interference fits on shafts and in housings, the inner ring will expand and the outer ring will contract; **thus reducing the bearings' internal clearance.** The amount of expansion or contraction varies depending on the shape of the bearing, the shape of the shaft or housing, dimensions of the respective parts, and the type of materials used. **The differential can range from approximately 70% to 90% of the effective interference.**

$$f = (0.70 \sim 0.90) \Delta_{\text{eff}} \dots\dots\dots (8.2)$$

where,

- f : Reduced amount of clearance due to interference, mm
- Δ_{eff} : Effective interference, mm

(2) Reduced internal clearance due to inner/outer ring temperature difference.

During operation, normally the outer ring will range from 5 to 10 °C cooler than the inner ring or rotating parts. However, if the cooling effect of the housing is large, the shaft is connected to a heat source, or a heated substance is conducted through the hollow shaft; the

temperature difference between the two rings can be even greater. **The amount of internal clearance is thus further reduced by the differential expansion of the two rings.**

$$t = \alpha \cdot \Delta T \cdot D_o \dots\dots\dots (8.3)$$

where,

- t : Amount of reduced clearance due to heat differential, mm
- α : Bearing steel linear expansion coefficient $12.5 \times 10^{-6}/^{\circ}\text{C}$
- ΔT : Inner/outer ring temperature differential,
- D_o : Outer ring raceway diameter, mm

Outer ring raceway diameter, D_o , values can be approximated by using formula (8.4) or (8.5).

For ball bearings and spherical roller bearings,

$$D_o = 0.20 (d + 4.0D) \dots\dots\dots (8.4)$$

For roller bearings (except self-aligning),

$$D_o = 0.25 (d + 3.0D) \dots\dots\dots (8.5)$$

where,

- d : Bearing bore diameter, mm
- D : Bearing outside diameter, mm

Table 8.3 Radial internal clearance of deep groove ball bearings

Unit μm

Nominal bore diameter d mm		C2		CN		C3		C4		C5	
over	incl.	min	max	min	max	min	max	min	max	min	max
—	2.5	0	6	4	11	10	20	—	—	—	—
2.5	6	0	7	2	13	8	23	—	—	—	—
6	10	0	7	2	13	8	23	14	29	20	37
10	18	0	9	3	18	11	25	18	33	25	45
18	24	0	10	5	20	13	28	20	36	28	48
24	30	1	11	5	20	13	28	23	41	30	53
30	40	1	11	6	20	15	33	28	46	40	64
40	50	1	11	6	23	18	36	30	51	45	73
50	65	1	15	8	28	23	43	38	61	55	90
65	80	1	15	10	30	25	51	46	71	65	105
80	100	1	18	12	36	30	58	53	84	75	120
100	120	2	20	15	41	36	66	61	97	90	140
120	140	2	23	18	48	41	81	71	114	105	160
140	160	2	23	18	53	46	91	81	130	120	180
160	180	2	25	20	61	53	102	91	147	135	200
180	200	2	30	25	71	63	117	107	163	150	230
200	225	2	35	25	85	75	140	125	195	175	265
225	250	2	40	30	95	85	160	145	225	205	300
250	280	2	45	35	105	90	170	155	245	225	340
280	315	2	55	40	115	100	190	175	270	245	370
315	355	3	60	45	125	110	210	195	300	275	410
355	400	3	70	55	145	130	240	225	340	315	460
400	450	3	80	60	170	150	270	250	380	350	510
450	500	3	90	70	190	170	300	280	420	390	570
500	560	10	100	80	210	190	330	310	470	440	630
560	630	10	110	90	230	210	360	340	520	490	690

Table 8.4 Radial internal clearance of self-aligning ball bearings

Nominal bore diameter <i>d</i> mm		Bearing with cylindrical bore									
		C2		Normal		C3		C4		C5	
over	incl.	min	max	min	max	min	max	min	max	min	max
2.5	6	1	8	5	15	10	20	15	25	21	33
6	10	2	9	6	17	12	25	19	33	27	42
10	14	2	10	6	19	13	26	21	35	30	48
14	18	3	12	8	21	15	28	23	37	32	50
18	24	4	14	10	23	17	30	25	39	34	52
24	30	5	16	11	24	19	35	29	46	40	58
30	40	6	18	13	29	23	40	34	53	46	66
40	50	6	19	14	31	25	44	37	57	50	71
50	65	7	21	16	36	30	50	45	69	62	88
65	80	8	24	18	40	35	60	54	83	76	108
80	100	9	27	22	48	42	70	64	96	89	124
100	120	10	31	25	56	50	83	75	114	105	145
120	140	10	38	30	68	60	100	90	135	125	175
140	160	15	44	35	80	70	120	110	161	150	210

Table 8.5 Radial internal clearance of double row and duplex angular contact ball bearings

Nominal bore diameter <i>d</i> mm		Unit μ m									
		C1		C2		Normal		C3		C4	
over	incl.	min	max	min	max	min	max	min	max	min	max
—	10	3	8	6	12	8	15	15	22	22	30
10	18	3	8	6	12	8	15	15	24	30	40
18	30	3	10	6	12	10	20	20	32	40	55
30	50	3	10	8	14	14	25	25	40	55	75
50	80	3	11	11	17	17	32	32	50	75	95
80	100	3	13	13	22	22	40	40	60	95	120
100	120	3	15	15	30	30	50	50	75	110	140
120	150	3	16	16	33	35	55	55	80	130	170
150	180	3	18	18	35	35	60	60	90	150	200
180	200	3	20	20	40	40	65	65	100	180	240

Note: The clearance group in the table is applied only to contact angles in the table below.

Contact angle symbol	Nominal contact angle	Applicable clearance group
C	15°	C1 , C2
A ^①	30°	C2 , Normal , C3
B	40°	Normal , C3 , C4

① Usually not to be indicated

Table 8.6 Radial internal clearance of bearings for electric motor

Nominal bore diameter <i>d</i> mm		Radial internal clearance CM			
		Deep groove ball bearings		Cylindrical roller bearings	
over	incl.	min	max	min	max
10 (incl.)	18	4	11	—	—
18	24	5	12	—	—
24	30	5	12	15	30
30	40	9	17	15	30
40	50	9	17	20	35
50	65	12	22	25	40
65	80	12	22	30	45
80	100	18	30	35	55
100	120	18	30	35	60
120	140	24	38	40	65
140	160	24	38	50	80
160	180	—	—	60	90
180	200	—	—	65	100

Note 1: Suffix CM is added to bearing numbers.

2: Non-interchangeable clearance

3: This diameter is included in the group.

Unit μm

Bearing with tapered bore										Nominal bore diameter	
C2		Normal		C3		C4		C5		d mm	
min	max	min	max	min	max	min	max	min	max	over	incl.
—	—	—	—	—	—	—	—	—	—	2.5	6
—	—	—	—	—	—	—	—	—	—	6	10
—	—	—	—	—	—	—	—	—	—	10	14
—	—	—	—	—	—	—	—	—	—	14	18
7	17	13	26	20	33	28	42	37	55	18	24
9	20	15	28	23	39	33	50	44	62	24	30
12	24	19	35	29	46	40	59	52	72	30	40
14	27	22	39	33	52	45	65	58	79	40	50
18	32	27	47	41	61	56	80	73	99	50	65
23	39	35	57	50	75	69	98	91	123	65	80
29	47	42	68	62	90	84	116	109	144	80	100
35	56	50	81	75	108	100	139	130	170	100	120
40	68	60	98	90	130	120	165	155	205	120	140
45	74	65	110	100	150	140	191	180	240	140	160

Table 8.7 Radial internal clearance of cylindrical roller bearings, needle roller bearings (Interchangeable, cylindrical bore bearings)

 Unit μm

Nominal bore diameter d mm		C2		Normal		C3		C4		C5	
over	incl.	min	max	min	max	min	max	min	max	min	max
	10	0	25	20	45	35	60	50	75		
10	24	0	25	20	45	35	60	50	75	65	90
24	30	0	25	20	45	35	60	50	75	70	95
30	40	5	30	25	50	45	70	60	85	80	105
40	50	5	35	30	60	50	80	70	100	95	125
50	65	10	40	40	70	60	90	80	110	110	140
65	80	10	45	40	75	65	100	90	125	130	165
80	100	15	50	50	85	75	110	105	140	155	190
100	120	15	55	50	90	85	125	125	165	180	220
120	140	15	60	60	105	100	145	145	190	200	245
140	160	20	70	70	120	115	165	165	215	225	275
160	180	25	75	75	125	120	170	170	220	250	300
180	200	35	90	90	145	140	195	195	250	275	330
200	225	45	105	105	165	160	220	220	280	305	365
225	250	45	110	110	175	170	235	235	300	330	395
250	280	55	125	125	195	190	260	260	330	370	440
280	315	55	130	130	205	200	275	275	350	410	485
315	355	65	145	145	225	225	305	305	385	455	535
355	400	100	190	190	280	280	370	370	460	510	600
400	450	110	210	210	310	310	410	410	510	565	665
450	500	110	220	220	330	330	440	440	550	625	735

Table 8.8 Radial internal clearance of cylindrical roller bearings, needle roller bearings (non-interchangeable)

Nominal bore diameter <i>d</i> mm		Bearing with cylindrical bore											
		C1NA		C2NA		NA ^①		C3NA		C4NA		C5NA	
over	incl.	min	max	min	max	min	max	min	max	min	max	min	max
—	10	5	10	10	20	20	30	35	45	45	55	—	—
10	18	5	10	10	20	20	30	35	45	45	55	65	75
18	24	5	10	10	20	20	30	35	45	45	55	65	75
24	30	5	10	10	25	25	35	40	50	50	60	70	80
30	40	5	12	12	25	25	40	45	55	55	70	80	95
40	50	5	15	15	30	30	45	50	65	65	80	95	110
50	65	5	15	15	35	35	50	55	75	75	90	110	130
65	80	10	20	20	40	40	60	70	90	90	110	130	150
80	100	10	25	25	45	45	70	80	105	105	125	155	180
100	120	10	25	25	50	50	80	95	120	120	145	180	205
120	140	15	30	30	60	60	90	105	135	135	160	200	230
140	160	15	35	35	65	65	100	115	150	150	180	225	260
160	180	15	35	35	75	75	110	125	165	165	200	250	285
180	200	20	40	40	80	80	120	140	180	180	220	275	315
200	225	20	45	45	90	90	135	155	200	200	240	305	350
225	250	25	50	50	100	100	150	170	215	215	265	330	380
250	280	25	55	55	110	110	165	185	240	240	295	370	420
280	315	30	60	60	120	120	180	205	265	265	325	410	470
315	355	30	65	65	135	135	200	225	295	295	360	455	520
355	400	35	75	75	150	150	225	255	330	330	405	510	585
400	450	45	85	85	170	170	255	285	370	370	455	565	650
450	500	50	95	95	190	190	285	315	410	410	505	625	720

① For bearings with normal clearance, only NA is added to bearing numbers. Ex. NU310NA, NN03020KNAP5

Table 8.9 Axial internal clearance of metric double row and duplex tapered roller bearings (except series 329X, 330, 322C, 323C)

Nominal bore diameter <i>d</i> mm		Contact angle 27° (<i>e</i> = 0.76)							
		C2		Normal		C3		C4	
over	incl.	min	max	min	max	min	max	min	max
18	24	25	75	75	125	125	170	170	220
24	30	25	75	75	125	145	195	195	245
30	40	25	95	95	165	165	235	210	280
40	50	20	85	85	150	175	240	240	305
50	65	20	85	110	175	195	260	280	350
65	80	20	110	130	220	240	325	325	410
80	100	45	150	150	260	280	390	390	500
100	120	45	175	175	305	350	480	455	585
120	140	45	175	175	305	390	520	500	630
140	160	60	200	200	340	400	540	520	660
160	180	80	220	240	380	440	580	600	740
180	200	100	260	260	420	500	660	660	820
200	225	120	300	300	480	560	740	720	900
225	250	160	360	360	560	620	820	820	1,020
250	280	180	400	400	620	700	920	920	1,140
280	315	200	440	440	680	780	1,020	1,020	1,260
315	355	220	480	500	760	860	1,120	1,120	1,380
355	400	260	560	560	860	980	1,280	1,280	1,580
400	500	300	600	620	920	1,100	1,400	1,440	1,740

Note: Radial internal clearance is approximately obtained from:
 $\Delta_r = 0.667 \cdot e \cdot \Delta_a$

where, Δ_r = radial internal clearance, μ m
 Δ_a = axial internal clearance, μ m
 e = constant, see bearing tables

Unit μm

Bearing with tapered bore												Nominal bore diameter	
C9NA ^②		C0NA ^②		C1NA		C2NA		NA ^①		C3NA		<i>d</i> mm	
min	max	min	max	min	max	min	max	min	max	min	max	over	incl.
5	5	7	17	10	20	20	30	35	45	45	55	—	10
5	10	7	17	10	20	20	30	35	45	45	55	10	18
5	10	7	17	10	20	20	30	35	45	45	55	18	24
5	10	10	20	10	25	25	35	40	50	50	60	24	30
5	12	10	20	12	25	25	40	45	55	55	70	30	40
5	15	10	20	15	30	30	45	50	65	65	80	40	50
5	15	10	20	15	35	35	50	55	75	75	90	50	65
10	20	15	30	20	40	40	60	70	90	90	110	65	80
10	25	20	35	25	45	45	70	80	105	105	125	80	100
10	25	20	35	25	50	50	80	95	120	120	145	100	120
15	30	25	40	30	60	60	90	105	135	135	160	120	140
15	35	30	45	35	65	65	100	115	150	150	180	140	160
15	35	30	45	35	75	75	110	125	165	165	200	160	180
20	40	30	50	40	80	80	120	140	180	180	220	180	200
20	45	35	55	45	90	90	135	155	200	200	240	200	225
25	50	40	65	50	100	100	150	170	215	215	265	225	250
25	55	40	65	55	110	110	165	185	240	240	295	250	280
30	60	45	75	60	120	120	180	205	265	265	325	280	315
30	65	45	75	65	135	135	200	225	295	295	360	315	355
35	75	50	90	75	150	150	225	255	330	330	405	355	400
45	85	60	100	85	170	170	255	285	370	370	455	400	450
50	95	70	115	95	190	190	285	315	410	410	505	450	500

② C9NA, C0NA and C1NA are applied only to precision bearings of Class 5 and higher.

 Unit μm

Contact angle $> 27^\circ$ ($e > 0.76$)								Nominal bore diameter	
C2		Normal		C3		C4		<i>d</i> mm	
min	max	min	max	min	max	min	max	over	incl.
10	30	30	50	50	70	70	90	18	24
10	30	30	50	60	80	80	100	24	30
10	40	40	70	70	100	90	120	30	40
10	40	40	70	80	110	110	140	40	50
10	40	50	80	90	120	130	160	50	65
10	50	60	100	110	150	150	190	65	80
20	70	70	120	130	180	180	230	80	100
20	70	70	120	150	200	210	260	100	120
20	70	70	120	160	210	210	260	120	140
30	100	100	160	180	240	240	300	140	160
—	—	—	—	—	—	—	—	160	180
—	—	—	—	—	—	—	—	180	200
—	—	—	—	—	—	—	—	200	225
—	—	—	—	—	—	—	—	225	250
—	—	—	—	—	—	—	—	250	280
—	—	—	—	—	—	—	—	280	315
—	—	—	—	—	—	—	—	315	355
—	—	—	—	—	—	—	—	355	400
—	—	—	—	—	—	—	—	400	500

Table 8.10 Radial internal clearance of spherical roller bearings

Nominal bore diameter <i>d</i> mm		Bearing with cylindrical bore									
		C2		Normal		C3		C4		C5	
over	incl.	min	max	min	max	min	max	min	max	min	max
14	18	10	20	20	35	35	45	45	60	60	75
18	24	10	20	20	35	35	45	45	60	60	75
24	30	15	25	25	40	40	55	55	75	75	95
30	40	15	30	30	45	45	60	60	80	80	100
40	50	20	35	35	55	55	75	75	100	100	125
50	65	20	40	40	65	65	90	90	120	120	150
65	80	30	50	50	80	80	110	110	145	145	180
80	100	35	60	60	100	100	135	135	180	180	225
100	120	40	75	75	120	120	160	160	210	210	260
120	140	50	95	95	145	145	190	190	240	240	300
140	160	60	110	110	170	170	220	220	280	280	350
160	180	65	120	120	180	180	240	240	310	310	390
180	200	70	130	130	200	200	260	260	340	340	430
200	225	80	140	140	220	220	290	290	380	380	470
225	250	90	150	150	240	240	320	320	420	420	520
250	280	100	170	170	260	260	350	350	460	460	570
280	315	110	190	190	280	280	370	370	500	500	630
315	355	120	200	200	310	310	410	410	550	550	690
355	400	130	220	220	340	340	450	450	600	600	750
400	450	140	240	240	370	370	500	500	660	660	820
450	500	140	260	260	410	410	550	550	720	720	900
500	560	150	280	280	440	440	600	600	780	780	1,000
560	630	170	310	310	480	480	650	650	850	850	1,100
630	710	190	350	350	530	530	700	700	920	920	1,190
710	800	210	390	390	580	580	770	770	1,010	1,010	1,300
800	900	230	430	430	650	650	860	860	1,120	1,120	1,440
900	1,000	260	480	480	710	710	930	930	1,220	1,220	1,570
1,000	1,120	290	530	530	780	780	1,020	1,020	1,330	1,330	1,720
1,120	1,250	320	580	580	860	860	1,120	1,120	1,460	1,460	1,870
1,250	1,400	350	640	640	950	950	1,240	1,240	1,620	1,620	2,080

Table 8.11 Axial internal clearance of four points contact ball bearings.

Unit μm

Nominal bore diameter <i>d</i> mm		C2		CN		C3		C4	
		min	max	min	max	min	max	min	max
over	incl.								
17	40	26	66	56	106	96	146	136	186
40	60	36	86	76	126	116	166	156	206
60	80	46	96	86	136	126	176	166	226
80	100	56	106	96	156	136	196	186	246
100	140	66	126	116	176	156	216	206	266
140	180	76	156	136	196	176	236	226	296
180	220	96	176	156	216	196	256	246	316

Unit μm

Bearing with tapered bore										Nominal bore diameter	
C2		Normal		C3		C4		C5		d mm	
min	max	min	max	min	max	min	max	min	max	over	incl.
—	—	—	—	—	—	—	—	—	—	14	18
15	25	25	35	35	45	45	60	60	75	18	24
20	30	30	40	40	55	55	75	75	95	24	30
25	35	35	50	50	65	65	85	85	105	30	40
30	45	45	60	60	80	80	100	100	130	40	50
40	55	55	75	75	95	95	120	120	160	50	65
50	70	70	95	95	120	120	150	150	200	65	80
55	80	80	110	110	140	140	180	180	230	80	100
65	100	100	135	135	170	170	220	220	280	100	120
80	120	120	160	160	200	200	260	260	330	120	140
90	130	130	180	180	230	230	300	300	380	140	160
100	140	140	200	200	260	260	340	340	430	160	180
110	160	160	220	220	290	290	370	370	470	180	200
120	180	180	250	250	320	320	410	410	520	200	225
140	200	200	270	270	350	350	450	450	570	225	250
150	220	220	300	300	390	390	490	490	620	250	280
170	240	240	330	330	430	430	540	540	680	280	315
190	270	270	360	360	470	470	590	590	740	315	355
210	300	300	400	400	520	520	650	650	820	355	400
230	330	330	440	440	570	570	720	720	910	400	450
260	370	370	490	490	630	630	790	790	1,000	450	500
290	410	410	540	540	680	680	870	870	1,100	500	560
320	460	460	600	600	760	760	980	980	1,230	560	630
350	510	510	670	670	850	850	1,090	1,090	1,360	630	710
390	570	570	750	750	960	960	1,220	1,220	1,500	710	800
440	640	640	840	840	1,070	1,070	1,370	1,370	1,690	800	900
490	710	710	930	930	1,190	1,190	1,520	1,520	1,860	900	1,000
530	770	770	1,030	1,030	1,300	1,300	1,670	1,670	2,050	1,000	1,120
570	830	830	1,120	1,120	1,420	1,420	1,830	1,830	2,250	1,120	1,250
620	910	910	1,230	1,230	1,560	1,560	2,000	2,000	2,470	1,250	1,400

8.3 Preload

Normally, bearings are used with a slight internal clearance under operating conditions. However, in some applications, bearings are given an initial load; this means that the bearings' internal clearance is negative before operation. This is called "preload" and is commonly applied to angular ball bearings and tapered roller bearings.

8.3.1 Purpose of preload

Giving preload to a bearing results in the rolling element and raceway surfaces being under constant elastic compressive forces at their contact points. This has the effect of making the bearing extremely rigid so that even when load is applied to the bearing, radial or axial shaft

displacement does not occur. Thus, the natural frequency of the shaft is increased, which is suitable for high speeds.

Preload is also used to prevent or suppress shaft runout, vibration, and noise; improve running accuracy and locating accuracy; reduce smearing, and regulate rolling element rotation. Also, for thrust ball and roller bearings mounted on horizontal shafts, preloading keeps the rolling elements in proper alignment.

The most common method of preloading is to apply an axial load to two duplex bearings so that the inner and outer rings are displaced axially in relation to each other. This preloading method is divided into fixed position preload and constant pressure preload.

Table 8.12 Preloading methods and characteristics

Method	Basic pattern	Applicable bearings	Object	Characteristics	Applications
Fixed position preload		Precision angular contact ball bearings	Maintaining accuracy of rotating shaft, preventing vibration increasing rigidity	Preloading is accomplished by a predetermined offset of the rings or by using spacers. For the standard preload see Table 8.13	Grinding machines, lathes, milling machines, measuring instruments
		Tapered roller bearings, thrust ball bearings, angular contact ball bearings	Increasing bearing rigidity	Preload is accomplished by adjusting a threaded screw. The amount of preload is set by measuring the starting torque or axial displacement. Relationship between the starting torque M and preload T is approximately given by the following formulas: for duplex angular contact ball bearings: $M = \frac{d_p \cdot T}{330 - 430} \quad \text{N} \cdot \text{mm}^1$ for duplex tapered roller bearings: $M = \frac{d_p^{0.8} \cdot T}{57 - 107} \quad \text{N} \cdot \text{mm}^1$	Lathes, milling machines, differential gears of automobiles, printing machines, wheel axles
Constant pressure preload		Angular contact ball bearings, deep groove ball bearings, precision tapered roller bearings	Maintaining accuracy and preventing vibration and noise with a constant amount of preload without being affected by loads or temperature	Preloading is accomplished by using coil or belleville springs. Recommended preloads are as follows: for deep groove ball bearings: $4 \sim 10 d \text{ N}$ $0.4 \sim 1.0 d \text{ { kgf } }$ for angular contact ball bearings: see Table 8.13	Internal grinding machines, electric motors, high speed shafts in small machines, tension reels
		Tapered roller bearings with steep angle, spherical roller thrust bearings, thrust ball bearings	Preventing smearing on raceway of non-loaded side under axial loads	Preload is accomplished by using coil or belleville springs. Recommended preloads are as follows: for thrust ball bearings: $T_1 = 0.42 (nC_{oa})^{1.9} \times 10^{-13} \text{ N}$ $= 3.275 (nC_{oa})^{1.9} \times 10^{-13} \text{ { kgf } }$ $T_2 = 0.00083 C_{oa} \text{ N { kgf } }$ which ever is greater for spherical roller thrust bearings: $T = 0.025 C_{oa}^{0.8} \text{ N}$ $= 0.0158 C_{oa}^{0.8} \text{ { kgf } }$	Rolling mills, extruding machines

Note: In the above formulas d_p = pitch diameter of bearing, mm
 $d_p = (\text{Bore} + \text{Outside dia}) / 2$
 T = preload, N
 d = bearing bore, mm
 n = number of revolutions, r/min
 C_{oa} = basic static axial load rating, N

The starting torque M however, is greatly influenced by lubricants and a period of run-in time.

8.3.2 Preloading methods and amounts

The basic pattern, purpose and characteristics of bearing preloads are shown in **Table 8.12**. The definite position preload is effective for positioning the two bearings and also for increasing the rigidity. Due to the use of a spring for the constant pressure preload, the preloading amount can be kept constant, even when the distance between the two bearings fluctuates under the influence of operating heat and load.

Also, the standard preloading amount for the paired angular contact ball bearings is shown in **Table 8.13**. Light and normal preload is applied to prevent general vibration, and medium and heavy preload is applied especially when rigidity is required.

8.3.3 Preload and rigidity

The increased rigidity effect preloading has on bearings is shown in **Fig. 8.2**. When the offset inner rings of the two paired angular contact ball bearings are pressed together, each inner ring is displaced axially by the amount δ_o and is thus given a preload, F_o , in the direction. Under this condition, when external axial load F_a is applied, bearing I will have an increased displacement by the amount δ_a and bearing II's displacement will decrease. At this time the loads applied to bearing I and II are F_I and F_{II} , respectively.

Under the condition of no preload, bearing I will be displaced by the amount δ_b when axial load F_a is applied. Since the amount of displacement, δ_a , is less than δ_b , it indicates a higher rigidity for δ_a .

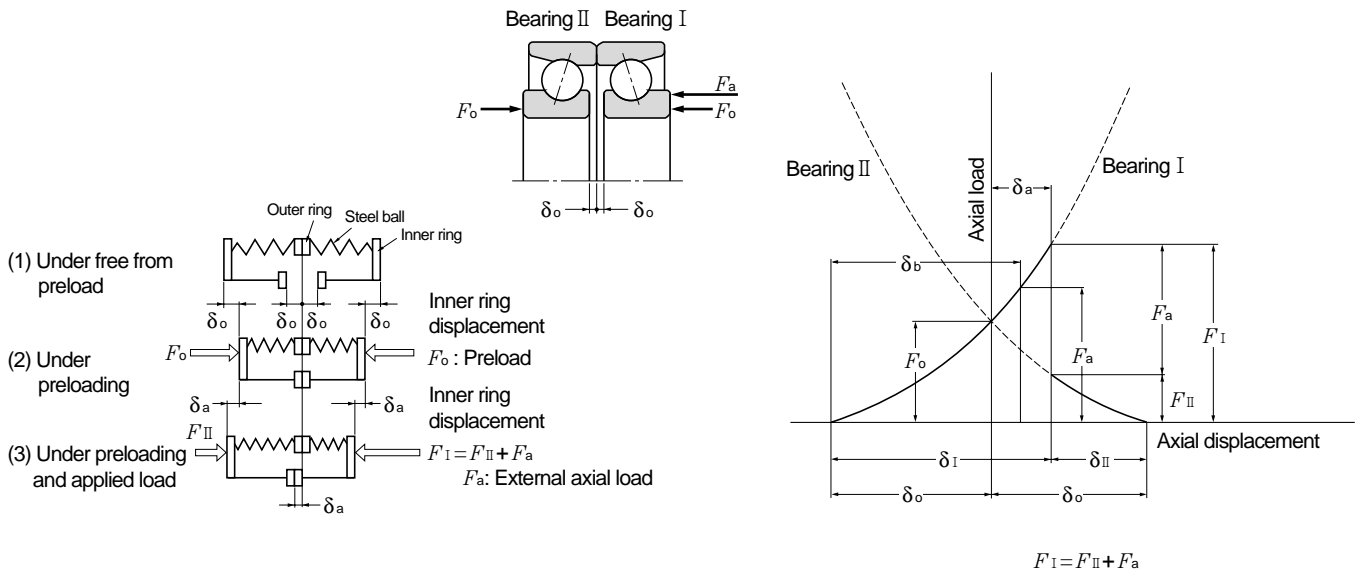


Fig. 8.2 Fixed position preload versus axial displacement

Table 8.13 The normal preload of duplex arrangement angular contact ball bearings

Nominal bore diameter <i>d</i> mm		78C				79C , HSB9C				Bearing 70C , BNT0 ,	
over	inch	Low	Normal	Central	Heavy	Low	Normal	Central	Heavy	Low	Normal
-	12	-	-	-	-	-	-	-	-	20 { 2 }	29 { 3 }
12	18	-	-	-	-	-	-	-	-	20 { 2 }	29 { 3 }
18	32	10 { 1 }	29 { 3 }	78 { 8 }	147 { 15 }	20 { 2 }	49 { 5 }	98 { 10 }	196 { 20 }	29 { 3 }	78 { 8 }
32	40	10 { 1 }	29 { 3 }	78 { 8 }	147 { 15 }	29 { 3 }	78 { 8 }	196 { 20 }	294 { 30 }	49 { 5 }	147 { 15 }
40	50	20 { 2 }	49 { 5 }	98 { 10 }	196 { 20 }	39 { 4 }	98 { 10 }	245 { 25 }	490 { 50 }	49 { 5 }	147 { 15 }
50	65	29 { 3 }	98 { 10 }	196 { 20 }	390 { 40 }	49 { 5 }	118 { 12 }	294 { 30 }	590 { 60 }	98 { 10 }	196 { 20 }
65	80	29 { 3 }	98 { 10 }	196 { 20 }	390 { 40 }	78 { 8 }	196 { 20 }	390 { 40 }	785 { 80 }	98 { 10 }	294 { 30 }
80	90	49 { 5 }	147 { 15 }	294 { 30 }	590 { 60 }	98 { 10 }	245 { 25 }	490 { 50 }	980 { 100 }	147 { 15 }	390 { 40 }
90	95	49 { 5 }	147 { 15 }	294 { 30 }	590 { 60 }	98 { 10 }	245 { 25 }	490 { 50 }	980 { 100 }	147 { 15 }	390 { 40 }
95	100	49 { 5 }	147 { 15 }	294 { 30 }	590 { 60 }	118 { 12 }	294 { 30 }	685 { 70 }	1,470 { 150 }	147 { 15 }	390 { 40 }
100	105	49 { 5 }	147 { 15 }	294 { 30 }	590 { 60 }	118 { 12 }	294 { 30 }	685 { 70 }	1,470 { 150 }	196 { 20 }	590 { 60 }
105	110	78 { 8 }	196 { 20 }	490 { 50 }	980 { 100 }	118 { 12 }	294 { 30 }	685 { 70 }	1,470 { 150 }	196 { 20 }	590 { 60 }
110	120	78 { 8 }	196 { 20 }	490 { 50 }	980 { 100 }	147 { 15 }	390 { 40 }	880 { 90 }	1,960 { 200 }	196 { 20 }	590 { 60 }
120	140	98 { 10 }	294 { 30 }	590 { 60 }	1,270 { 130 }	196 { 20 }	490 { 50 }	980 { 100 }	2,450 { 250 }	294 { 30 }	785 { 80 }
140	150	147 { 15 }	390 { 40 }	785 { 80 }	1,470 { 150 }	245 { 25 }	685 { 70 }	1,470 { 150 }	2,940 { 300 }	294 { 30 }	785 { 80 }
150	160	147 { 15 }	390 { 40 }	785 { 80 }	1,470 { 150 }	245 { 25 }	685 { 70 }	1,470 { 150 }	2,940 { 300 }	490 { 50 }	980 { 100 }
160	170	147 { 15 }	490 { 50 }	980 { 100 }	1,960 { 200 }	245 { 25 }	685 { 70 }	1,470 { 150 }	2,940 { 300 }	490 { 50 }	980 { 100 }
170	180	147 { 15 }	490 { 50 }	980 { 100 }	1,960 { 200 }	294 { 30 }	880 { 90 }	1,960 { 200 }	3,900 { 400 }	490 { 50 }	980 { 100 }
180	190	196 { 20 }	590 { 60 }	1,270 { 130 }	2,450 { 250 }	294 { 30 }	880 { 90 }	1,960 { 200 }	3,900 { 400 }	590 { 60 }	1,470 { 150 }
190	200	196 { 20 }	590 { 60 }	1,270 { 130 }	2,450 { 250 }	490 { 50 }	1,270 { 130 }	2,940 { 300 }	5,900 { 600 }	590 { 60 }	1,470 { 150 }

Nominal bore diameter <i>d</i> mm		79 , HSB9			70 , HSB0			
over	inch	Normal	Central	Heavy	Low	Normal	Central	Heavy
-	12	39 { 4 }	78 { 8 }	147 { 15 }	29 { 3 }	78 { 8 }	147 { 15 }	196 { 20 }
12	18	49 { 5 }	147 { 15 }	196 { 20 }	29 { 3 }	78 { 8 }	147 { 15 }	294 { 30 }
18	32	98 { 10 }	196 { 20 }	294 { 30 }	49 { 5 }	147 { 15 }	294 { 30 }	490 { 50 }
32	40	147 { 15 }	294 { 30 }	590 { 60 }	78 { 8 }	294 { 30 }	590 { 60 }	880 { 90 }
40	50	196 { 20 }	390 { 40 }	635 { 70 }	78 { 8 }	294 { 30 }	590 { 60 }	980 { 100 }
50	65	245 { 25 }	490 { 50 }	785 { 80 }	147 { 15 }	490 { 50 }	880 { 90 }	1,470 { 150 }
65	80	390 { 40 }	785 { 80 }	1,180 { 120 }	147 { 15 }	590 { 60 }	1,470 { 150 }	1,960 { 200 }
80	90	490 { 50 }	980 { 100 }	1,470 { 150 }	196 { 20 }	880 { 90 }	1,960 { 200 }	2,940 { 300 }
90	95	490 { 50 }	980 { 100 }	1,470 { 150 }	196 { 20 }	880 { 90 }	1,960 { 200 }	2,940 { 300 }
95	100	685 { 70 }	1,274 { 130 }	1,960 { 200 }	196 { 20 }	880 { 90 }	1,960 { 200 }	2,940 { 300 }
100	105	685 { 70 }	1,274 { 130 }	1,960 { 200 }	294 { 30 }	980 { 100 }	2,450 { 250 }	3,900 { 400 }
105	110	685 { 70 }	1,274 { 130 }	1,960 { 200 }	294 { 30 }	980 { 100 }	2,450 { 250 }	3,900 { 400 }
110	120	880 { 90 }	1,780 { 180 }	2,940 { 300 }	294 { 30 }	980 { 100 }	2,450 { 250 }	3,900 { 400 }
120	140	980 { 100 }	1,960 { 200 }	3,450 { 350 }	490 { 50 }	1,470 { 150 }	3,450 { 350 }	5,900 { 600 }
140	150	1,270 { 130 }	2,450 { 250 }	4,400 { 450 }	490 { 50 }	1,470 { 150 }	3,450 { 350 }	5,900 { 600 }
150	160	1,270 { 130 }	2,450 { 250 }	4,400 { 450 }	685 { 70 }	2,450 { 250 }	4,900 { 500 }	8,800 { 900 }
160	170	1,270 { 130 }	2,450 { 250 }	4,400 { 450 }	685 { 70 }	2,450 { 250 }	4,900 { 500 }	8,800 { 900 }
170	180	1,780 { 180 }	3,450 { 350 }	5,900 { 600 }	685 { 70 }	2,450 { 250 }	4,900 { 500 }	8,800 { 900 }
180	190	1,780 { 180 }	3,450 { 350 }	5,900 { 600 }	880 { 90 }	3,450 { 350 }	6,850 { 700 }	9,800 { 1,000 }
190	200	2,450 { 250 }	4,900 { 500 }	7,850 { 800 }	880 { 90 }	3,450 { 350 }	6,850 { 700 }	9,800 { 1,000 }

Unit N { kgf }

series		72C , BNT2				73C			
HSB0C		Low	Normal	Central	Heavy	Low	Normal	Central	Heavy
98 { 10 }	147 { 15 }	20 { 2 }	49 { 5 }	98 { 10 }	196 { 20 }	29 { 3 }	78 { 8 }	147 { 15 }	294 { 30 }
98 { 10 }	196 { 20 }	20 { 2 }	49 { 5 }	147 { 15 }	294 { 30 }	29 { 3 }	78 { 8 }	196 { 20 }	390 { 40 }
147 { 15 }	294 { 30 }	49 { 5 }	98 { 10 }	294 { 30 }	490 { 50 }	76 { 8 }	147 { 15 }	390 { 40 }	685 { 70 }
294 { 30 }	590 { 60 }	78 { 8 }	196 { 20 }	490 { 50 }	785 { 80 }	98 { 10 }	294 { 30 }	590 { 60 }	980 { 100 }
294 { 30 }	685 { 70 }	98 { 10 }	294 { 30 }	590 { 60 }	980 { 100 }	145 { 15 }	390 { 40 }	980 { 100 }	1,960 { 200 }
490 { 50 }	980 { 100 }	147 { 15 }	390 { 40 }	785 { 80 }	1,470 { 150 }	196 { 20 }	590 { 60 }	1,470 { 150 }	2,940 { 300 }
685 { 70 }	1,470 { 150 }	196 { 20 }	490 { 50 }	980 { 100 }	1,960 { 200 }	294 { 30 }	785 { 80 }	1,960 { 200 }	3,900 { 400 }
980 { 100 }	1,960 { 200 }	294 { 30 }	685 { 70 }	1,470 { 150 }	2,940 { 300 }	390 { 40 }	980 { 100 }	2,450 { 250 }	4,900 { 500 }
980 { 100 }	1,960 { 200 }	294 { 30 }	685 { 70 }	1,960 { 200 }	3,900 { 400 }	390 { 40 }	980 { 100 }	2,950 { 300 }	5,900 { 600 }
980 { 100 }	1,960 { 200 }	294 { 30 }	685 { 70 }	1,960 { 200 }	3,900 { 400 }	390 { 40 }	980 { 100 }	2,950 { 300 }	5,900 { 600 }
1,470 { 150 }	2,450 { 250 }	390 { 40 }	980 { 100 }	2,450 { 250 }	4,900 { 500 }	590 { 60 }	1,470 { 150 }	3,450 { 350 }	6,850 { 700 }
1,470 { 150 }	2,450 { 250 }	390 { 40 }	980 { 100 }	2,450 { 250 }	4,900 { 500 }	590 { 60 }	1,470 { 150 }	3,450 { 350 }	6,850 { 700 }
1,470 { 150 }	2,450 { 250 }	390 { 40 }	980 { 100 }	2,450 { 250 }	4,900 { 500 }	590 { 60 }	1,470 { 150 }	3,450 { 350 }	6,850 { 700 }
1,960 { 200 }	3,900 { 400 }	490 { 50 }	1,470 { 150 }	2,940 { 300 }	5,900 { 600 }	785 { 80 }	1,960 { 200 }	4,400 { 450 }	8,800 { 900 }
1,960 { 200 }	3,900 { 400 }	490 { 50 }	1,470 { 150 }	2,940 { 300 }	5,900 { 600 }	785 { 80 }	1,960 { 200 }	4,400 { 450 }	8,800 { 900 }
2,450 { 250 }	5,900 { 600 }	685 { 70 }	1,960 { 200 }	4,400 { 450 }	7,850 { 800 }	880 { 90 }	2,450 { 250 }	5,900 { 600 }	9,800 { 1,100 }
2,450 { 250 }	5,900 { 600 }	685 { 70 }	1,960 { 200 }	4,400 { 450 }	7,850 { 800 }	880 { 90 }	2,450 { 250 }	5,900 { 600 }	9,800 { 1,100 }
2,450 { 250 }	5,900 { 600 }	685 { 70 }	1,960 { 200 }	4,400 { 450 }	7,850 { 800 }	880 { 90 }	2,450 { 250 }	5,900 { 600 }	9,800 { 1,100 }
3,450 { 350 }	6,850 { 700 }	785 { 80 }	2,450 { 250 }	4,900 { 500 }	9,800 { 1,000 }	980 { 100 }	2,940 { 300 }	6,850 { 700 }	11,800 { 1,200 }
3,450 { 350 }	6,850 { 700 }	785 { 80 }	2,450 { 250 }	4,900 { 500 }	9,800 { 1,000 }	980 { 100 }	2,940 { 300 }	6,850 { 700 }	11,800 { 1,200 }

Unit N { kgf }

series		72 , 72B				73 , 73B			
Low	Normal	Central	Heavy	Low	Normal	Central	Heavy		
29 { 3 }	98 { 10 }	196 { 20 }	294 { 30 }	49 { 5 }	147 { 15 }	294 { 30 }	390 { 40 }		
29 { 3 }	98 { 10 }	294 { 30 }	390 { 40 }	49 { 5 }	147 { 15 }	390 { 40 }	490 { 50 }		
78 { 8 }	196 { 20 }	490 { 50 }	785 { 80 }	98 { 10 }	294 { 30 }	590 { 60 }	980 { 100 }		
98 { 10 }	390 { 40 }	880 { 90 }	1,470 { 150 }	147 { 15 }	490 { 50 }	980 { 100 }	1,960 { 200 }		
147 { 15 }	590 { 60 }	980 { 100 }	1,960 { 200 }	196 { 20 }	785 { 80 }	1,470 { 150 }	2,450 { 250 }		
196 { 20 }	785 { 80 }	1,470 { 150 }	2,940 { 300 }	294 { 30 }	980 { 100 }	2,450 { 250 }	3,900 { 400 }		
294 { 30 }	980 { 100 }	2,450 { 250 }	3,900 { 400 }	390 { 40 }	1,470 { 150 }	3,450 { 350 }	4,900 { 500 }		
490 { 50 }	1,470 { 150 }	2,940 { 300 }	4,900 { 500 }	590 { 60 }	1,960 { 200 }	3,900 { 400 }	5,880 { 600 }		
490 { 50 }	1,960 { 200 }	3,900 { 400 }	5,900 { 600 }	590 { 60 }	2,450 { 250 }	4,900 { 500 }	6,854 { 700 }		
490 { 50 }	1,960 { 200 }	3,900 { 400 }	5,900 { 600 }	590 { 60 }	2,450 { 250 }	4,900 { 500 }	6,860 { 700 }		
590 { 60 }	2,450 { 250 }	4,900 { 500 }	7,850 { 800 }	685 { 70 }	2,940 { 300 }	5,900 { 600 }	8,800 { 900 }		
590 { 60 }	2,450 { 250 }	4,900 { 500 }	7,850 { 800 }	685 { 70 }	2,940 { 300 }	5,900 { 600 }	8,800 { 900 }		
590 { 60 }	2,450 { 250 }	4,900 { 500 }	7,850 { 800 }	685 { 70 }	2,940 { 300 }	5,900 { 600 }	8,800 { 900 }		
785 { 80 }	2,940 { 300 }	5,900 { 600 }	9,800 { 1,000 }	880 { 90 }	3,900 { 400 }	7,850 { 800 }	11,800 { 1,200 }		
785 { 80 }	2,940 { 300 }	5,900 { 600 }	9,800 { 1,000 }	880 { 90 }	3,900 { 400 }	7,850 { 800 }	11,800 { 1,200 }		
880 { 90 }	3,900 { 400 }	7,850 { 800 }	11,800 { 1,200 }	980 { 100 }	4,400 { 450 }	8,800 { 900 }	13,700 { 1,400 }		
880 { 90 }	3,900 { 400 }	7,850 { 800 }	11,800 { 1,200 }	980 { 100 }	4,400 { 450 }	8,800 { 900 }	13,700 { 1,400 }		
880 { 90 }	3,900 { 400 }	7,850 { 800 }	11,800 { 1,200 }	980 { 100 }	4,400 { 450 }	8,800 { 900 }	13,700 { 1,400 }		
980 { 100 }	4,400 { 450 }	8,800 { 900 }	13,700 { 1,400 }	1,470 { 150 }	5,900 { 600 }	11,800 { 1,200 }	15,700 { 1,600 }		
980 { 100 }	4,400 { 450 }	8,800 { 900 }	13,700 { 1,400 }	1,470 { 150 }	5,900 { 600 }	11,800 { 1,200 }	15,700 { 1,600 }		

9. Allowable Speed

As bearing speed increases, the temperature of the bearing also increases due to friction heat generated in the bearing interior. If the temperature continues to rise and exceeds certain limits, the efficiency of the lubricant starts to fail down drastically, and the bearing can no longer continue to operate in a stable manner. Therefore, the maximum speed at which it is possible for the bearing to continuously operate without the generation of excessive heat beyond specified limits, is called the allowable speed (r/min).

The allowable speed of a bearing depends on the type of bearing, bearing dimensions, type of cage, load, lubricating conditions, and cooling conditions.

The allowable speeds listed in the bearing tables for grease and oil lubrication are for standard NTN bearings under normal operating conditions, correctly installed, using the suitable lubricants with adequate supply and proper maintenance. Moreover, these values are based on normal load conditions ($P = 0.09C$, $F_a / F_r = 0.3$). For ball bearings with contact seals (LLU type), the allowable speed is determined by the peripheral lip speed of the seal.

For bearings to be used under heavier than normal load conditions, the allowable speed values listed in the bearing tables must be multiplied by an adjustment factor. The adjustment factors f_L and f_C are given in **Figs. 9.1** and **9.2**.

Also, when radial bearings are mounted on vertical shafts, lubricant retentions and cage guidance are not favorable compared to horizontal shaft mounting.

Therefore, the allowable speed should be reduced to approximately 80% of the listed speed.

For speeds other than those mentioned above, and for which data is incomplete, please consult NTN Engineering.

It is possible to operate precision bearings with high speed specification cages at speeds higher than those listed in the bearing tables, if special precautions are taken. These precautions should include the use of forced oil circulation methods such as oil jet or oil mist lubrication.

Under such high speed operating conditions, when special care is taken, the standard allowable speeds given in the bearing tables can be adjusted upward. The maximum speed adjustment values, f_B , by which the bearing table speeds can be multiplied, are shown in **Table 9.1**. However, for any application requiring speeds in excess of the standard allowable speed, please consult NTN Engineering.

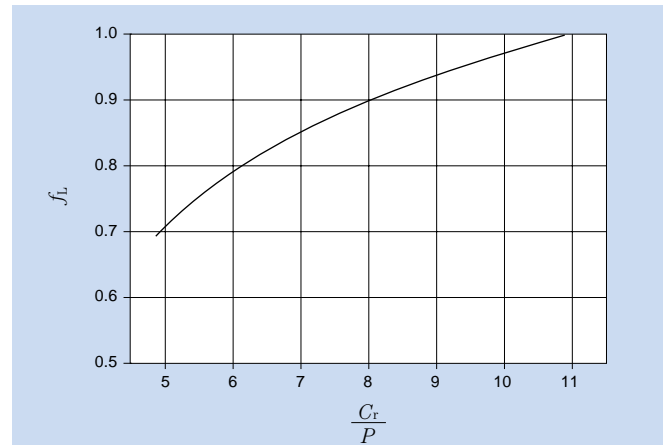


Fig. 9.1 Value of adjustment factor f_L depends on bearing load

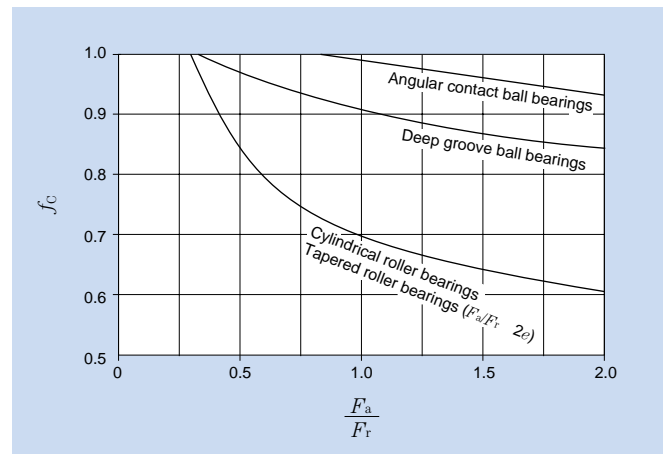


Fig. 9.2 Value of adjustment factor f_C depends on combined load

Table 9.1 Adjustment factor f_B , for allowable number of revolutions

Type of bearing	Adjustment factor f_B
Deep groove ball bearings	3.0
Angular contact ball bearings	2.0
Cylindrical roller bearings	2.5
Tapered roller bearings	2.0

10. Friction and Temperature Rise

10.1 Friction

One of the main functions required of a bearing is that it must have low friction. Under normal operating conditions rolling bearings have a much smaller friction coefficient than the slide bearings, especially starting friction.

The friction coefficient for rolling bearings is calculated on the basis of the bearing bore diameters and is expressed by formula (10.1).

$$\mu = \frac{2M}{Pd} \dots\dots\dots (10.1)$$

where,

- μ : Friction coefficient
- M : Friction moment, Nmm
- P : Load, N
- d : Bearing bore diameter, mm

Although the dynamic friction coefficient for rolling bearings varies with the type of bearings, load, lubrication, speed, and other factors; for normal operating conditions, the approximate friction coefficients for various bearing types are listed in **Table 10.1**.

Table 10.1 Friction coefficient for bearings

Bearing type	Coefficient $\mu \times 10^{-3}$
Deep groove ball bearings	1.0 ~ 1.5
Angular contact ball bearings	1.2 ~ 1.8
Self-aligning ball bearings	0.8 ~ 1.2
Cylindrical roller bearings	1.0 ~ 1.5
Needle roller bearings	2.0 ~ 3.0
Tapered roller bearings	1.7 ~ 2.5
Spherical roller bearings	2.0 ~ 2.5
Thrust ball bearings	1.0 ~ 1.5
Thrust roller bearings	2.0 ~ 3.0

10.2 Temperature rise

Almost all friction loss in a bearing is transformed into heat within the bearing itself and causes the temperature of the bearing to rise. The amount of thermal generation caused by friction moment can be calculated using formula (10.2).

$$\begin{aligned} Q &= 0.105 \times 10^{-6} M n \text{ N} \\ &= 1.03 \times 10^{-6} M n \{ \text{kgf} \} \end{aligned} \dots\dots\dots (10.2)$$

where,

- Q : Thermal value, kW
- M : Friction moment, N · mm
- n : Rotational speed, r/min

Bearing operating temperature is determined by the equilibrium or balance between the amount of heat generated by the bearing and the amount of heat conducted away from the bearing. In most cases the temperature rises sharply during initial operation, then increases slowly until it reaches a stable condition and then remains constant. The time it takes to reach this stable state will vary according to the amount of heat generated, the heat absorbing capacity of the housing and surrounding parts, the amount of cooling surface, amount of lubricating oil, and the surrounding ambient temperature. If the temperature continues to rise and does not become constant, it must be assumed that there is some improper function.

Excessive bearing heat can be caused by: moment load, insufficient internal clearance, excessive preload, too little or too much lubricant, foreign matter in the bearing, or by heat generated at the sealing device.

11. Lubrication

11.1 Lubrication of rolling bearings

The purpose of bearing lubrication is to prevent direct metallic contact between the various rolling and sliding elements. This is accomplished through the formation of a thin oil (or grease) film on the contact surfaces. However, for rolling bearings, lubrication has the following advantages:

- (1) Friction and wear reduction
- (2) Friction heat dissipation
- (3) Prolonged bearing life
- (4) Prevention of rust
- (5) Protection against harmful elements

In order to achieve the above effects, the most effective lubrication method for the operating conditions must be selected. Also, a good quality, reliable lubricant must be selected. In addition, an effectively designed sealing system that prevents the intrusion of damaging elements

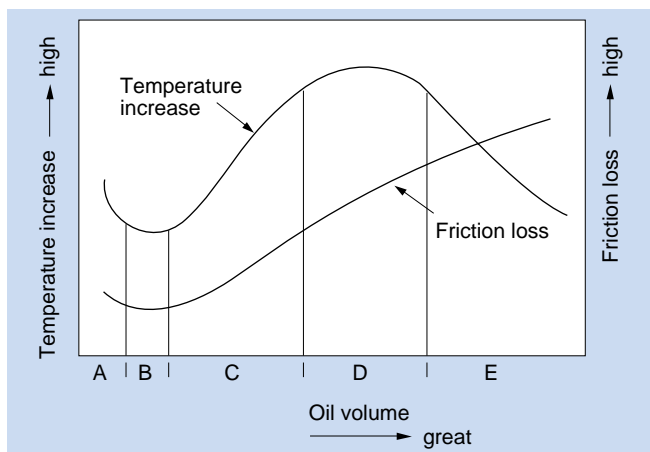


Fig. 11.1

Table 11.1 Oil volume, friction loss, bearing temperature (See Fig. 11.1)

Range	Characteristics	Lubrication method
A	When oil volume is extremely low, direct metallic contact occurs in places between the rolling elements and raceway surfaces. Bearing abrasion and seizing occur.	—
B	A thin oil film develops over all surfaces, friction is minimal and bearing temperature is low.	Grease lubrication, oil mist, air-oil lubrication
C	As oil volume increases, heat buildup is balanced by cooling.	Circulating lubrication
D	Regardless of oil volume, temperature increases at a fixed rate.	Circulating lubrication
E	As oil volume increases, cooling predominates and bearing temperature decreases.	Forced circulation lubrication, Oil jet lubrication

(dust, water, etc.) into the bearing interior, removes dust and other impurities from the lubricant, and prevents the lubricant from leaking to the outside, is also a requirement.

Almost all rolling bearings use either grease or oil lubrication methods, but in some special applications, a solid lubricant such as molybdenum disulfide or graphite may be used.

Fig. 11.1 shows the relationship between oil volume, friction loss, and bearing temperature. Table 11.1 details the characteristics of this relationship.

11.2 Lubrication methods and characteristics

The lubrication methods come in **two general methods**: you must be care for select of that from using condition.

The characteristic are show in table 11.2.

Table 11.2 Comparison of grease lubrication and oil lubrication characteristics

Method	Grease lubrication	Oil lubrication
Concern		
Handling		
Reliability		
Cooling effect	x	(Circulation necessary)
Seal structure		
Power loss		
Environment contamination		
High speed rotation	x	

: Very good : Good : Fair x : Poor

11.3 Grease lubrication

Grease type lubricants are relatively easy to handle and require only the simplest sealing devices-for these reasons, grease is the most widely used lubricant for rolling bearings.

11.3.1 Types and characteristics of grease

Lubricating grease are composed of either a mineral oil base or a synthetic oil base. To this base a thickener and other additives are added. The properties of all greases are mainly determined by the kind of base oil used and by the combination of thickening agent and various additives.

Standard greases and their characteristics are listed in Table 11.3. As performance characteristics of even the same type of grease will vary widely from brand to brand, **it is best to check the manufacturers' data when selecting a grease.**

Table 11.3 Grease varieties and characteristics

Grease name	Lithium grease			Sodium grease (Fiber grease)	Calcium compound base grease
Thickener	Li soap			Na soap	Ca+Na soap Ca+Li soap
Base oil	Mineral oil	Diester oil	Silicone oil	Mineral oil	Mineral oil
Dropping point °C	170 ~ 190	170 ~ 190	200 ~ 250	150 ~ 180	150 ~ 180
Operating temperature range °C	-30 ~ +130	-50 ~ +130	-50 ~ +160	-20 ~ +130	-20 ~ +120
Mechanical stability	Excellent	Good	Good	Excellent ~ Good	Excellent ~ Good
Pressure resistance	Good	Good	poor	Good	Excellent ~ Good
Water resistance	Good	Good	Good	Good ~ poor	Good ~ poor
Applications	Widest range of applications. Grease used in all types of rolling bearings.	Excellent low temperature and wear characteristics. Suitable for small sized and miniature bearings.	Suitable for high and low temperatures. Unsuitable for heavy load applications due to low oil film strength.	Some emulsification when water is introduced. Excellent characteristics at relatively high temperatures.	Excellent pressure resistance and mechanical stability. Suitable for bearings receiving shock loads.

Grease name	Aluminum grease	Non-soap base grease Thickener	
Thickener	Al soap	Bentone, silica gel, urea, carbon black, fluorine compounds, etc.	
Base oil	Mineral oil	Mineral oil	Synthetic oil
Dropping point °C	70 ~ 90	250 or above	250 or above
Operating temperature range °C	-10 ~ +80	-10 ~ +130	-50 ~ +200
Mechanical stability	Good ~ poor	Good	Good
Pressure resistance	Good	Good	Good
Water resistance	Good	Good	Good
Applications	Excellent viscosity characteristics. Suitable for bearings subjected to vibrations.	Can be used in a wide range of low to high temperatures. Shows excellent heat resistance, cold resistance, chemical resistance, and other characteristics when matched with a suitable base oil and thickener. Grease used in all types of rolling bearings.	

(1) Base oil

Natural mineral oil or synthetic oils such as diester oil, silicone oil and fluorocarbon oil are used as grease base oils.

Mainly, the properties of any grease is determined by the properties of the base oil. Generally, greases with a low viscosity base oil are best suited for low temperatures and high speeds; while greases made from high viscosity base oils are best suited for heavy loads.

(2) Thickening agents

Thickening agents are compounded with base oils to maintain the semi-solid state of the grease. Thickening agents consist of two types of bases, metallic soaps and non-soaps. Metallic soap thickeners include: lithium, sodium, calcium, etc.

Non-soap base thickeners are divided into two groups; inorganic (silica gel, bentonite, etc.) and organic (poly-urea, fluorocarbon, etc.).

The various special characteristics of a grease, such as limiting temperature range, mechanical stability, water resistance, etc. depend largely on the type of thickening agent used. For example, a sodium based grease is generally poor in water resistance properties, while greases with bentone, poly-urea and other non-metallic soaps as the thickening agent are generally superior in high temperature properties.

(3) Additives

Various additives are added to greases to improve various properties and efficiency. For example, there are anti-oxidents, high-pressure additives (EP additives), rust preventives, and anti-corrosives.

For bearings subject to heavy loads and/or shock loads, a grease containing high-pressure additives should be used. For comparatively high operating temperatures or in applications where the grease cannot be replenished for long periods, a grease with an oxidation stabilizer is best to use.

(4) Consistency

The consistency of a grease, i.e. the stiffness and liquidity, is expressed by a numerical index.

The NLGI values for this index indicate the relative softness of the grease; the larger the number, the stiffer the grease. The consistency of a grease is determined by the amount of thickening agent used and the viscosity of the base oil. For the lubrication of rolling bearings, greases with the NLGI consistency numbers of 1, 2, and 3 are used.

General relationships between consistency and application of grease are shown in **Table 11.4**.

Table 11.4 Consistency of grease

NLGI Consistency No.	JIS (ASTM) Worked penetration	Applications
0	355 ~ 385	For centralized greasing use
1	310 ~ 340	For centralized greasing use
2	265 ~ 295	For general use and sealed bearing use
3	220 ~ 250	For general and high temperature use
4	175 ~ 205	For special use

(5) Mixing of greases

When greases of different kinds are mixed together, the consistency of the greases will change (usually softer), the operating temperature range will be lowered, and other changes in characteristics will occur. As a general rule, greases with different bases oil, and greases with different thickener agents should never be mixed.

Also, greases of different brands should not be mixed because of the different additives they contain.

However, if different greases must be mixed, at least greases with the same base oil and thickening agent should be selected. But even when greases of the same base oil and thickening agent are mixed, the quality of the grease may still change due to the difference in additives. For this reason, changes in consistency and other qualities should be checked before being applied.

11.3.2 Amount of grease

The amount of grease used in any given situation will depend on many factors relating to the size and shape of the housing, space limitations, bearing's rotating speed and type of grease used.

As a general rule, housings and bearings should be only filled from 30% to 60% of their capacities.

Where speeds are high and temperature rises need to be kept to a minimum, a reduced amount of grease should be used. **Excessive amount of grease cause temperature rise which in turn causes the grease to soften and may allow leakage.** With excessive grease fills oxidation and deterioration may cause lubricating efficiency to be lowered.

Moreover, the standard bearing space can be found by formula (11.1)

$$V = K \cdot W \dots\dots\dots (11.1)$$

where,
V : Quantity of bearing space open type (approx.) cm³
K : Bearing space factor (**Table 11.5**)
W : Mass of bearing kg

Table 11.5 Bearings space ratio K

Bearing type	Retainer type	K
Ball bearings ❶	Pressed retainer	61
NU-type cylindrical roller bearings ❷	Pressed retainer	50
	Machined retainer	36
N-type cylindrical roller bearings ❸	Pressed retainer	55
	Machined retainer	37
Tapered roller bearings	Pressed retainer	46
Spherical roller bearings	Pressed retainer	35
	Machined retainer	28

- ❶ Remove 160 series
- ❷ Remove NU4 series
- ❸ Remove N4 series

11.3.3 Replenishment

As the lubricating efficiency of grease declines with the passage of time, fresh grease must be re-supplied at proper intervals. The replenishment time interval depends on the type of bearing, dimensions, bearing's rotating speed, bearing temperature, and type of grease.

An easy reference chart for calculating grease replenishment intervals is shown in **Fig. 11.2**.

This chart indicates the replenishment interval for standard rolling bearing grease when used under normal operating conditions.

As operating temperatures increase, the grease re-

supply interval should be shortened accordingly.

Generally, for every 10°C increase in bearing temperature above 80°C, the relubrication period is reduced by exponent "1/1.5".

(Example)

Find the grease relubrication time limit for deep groove ball bearing **6206**, with a radial load of 2.0 kN operating at 3,600 r/min.

$C_r / P_r = 19.5 / 2.0 \text{ kN} = 9.8$, from **Fig. 9.1** the adjusted load, f_L , is 0.96.

From the bearing tables, the allowable speed for bearing 6206 is 11,000 r/min and the numbers of revolutions permissible at a radial load of 2.0 kN are

$$n_o = 0.96 \times 11,000 = 10,560 \text{ r/min}$$

therefore, $\frac{n_o}{n} = \frac{10,560}{3,600} = 2.93$

Using the chart in **Fig. 11.2**, find the point corresponding to bore diameter $d = 30$ (from bearing table) on the vertical line for radial ball bearings. Draw a straight horizontal line to vertical line I. Then, draw a straight line from that point (A in example) to the point on line II which corresponds to the n_o / n value (2.93 in example). The point, C, where this line intersects vertical line III indicates the relubrication interval h . In this case the life of the grease is approximately 5,500 hours.

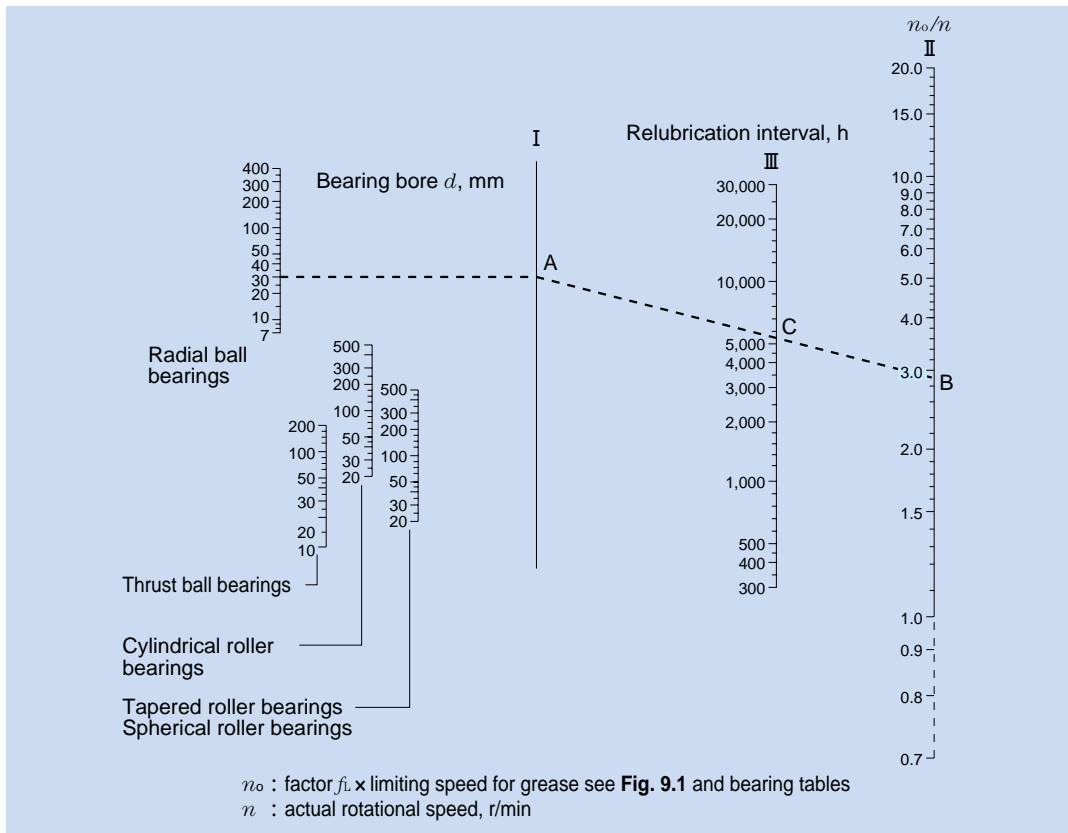


Fig. 11.2 Diagram for relubrication interval of greasing

11.4 Solid grease (For bearings with solid grease)

"Solid grease" is a lubricant composed mainly of lubricating grease and ultra-high polymer polyethylene. Solid grease has the same viscosity as grease at normal temperature, but by applying a special heat treatment process, this special grease solidifies retaining a large proportion of the lubricant within the bearing. The result of this solidification is that the grease does not easily leak from the bearing, even when the bearing is subjected to strong vibrations or centrifugal force.

Bearings with solid grease are available in two types: the spot-pack type in which solid grease is injected into the retainer, and the full-pack type in which all empty space around the rolling elements is filled with solid grease.

Spot-pack solid grease is standard for deep groove ball bearings, small diameter ball bearings, and bearing units. Full-pack solid grease is standard for self-aligning ball bearings, spherical roller bearings, and needle roller bearings.

Primary advantages:

- (1) Clean working environment with minimal grease leakage
- (2) Low bearing torque with spot-pack type solid grease

For more details, please refer to NTN special catalog of **Solid grease bearings**.

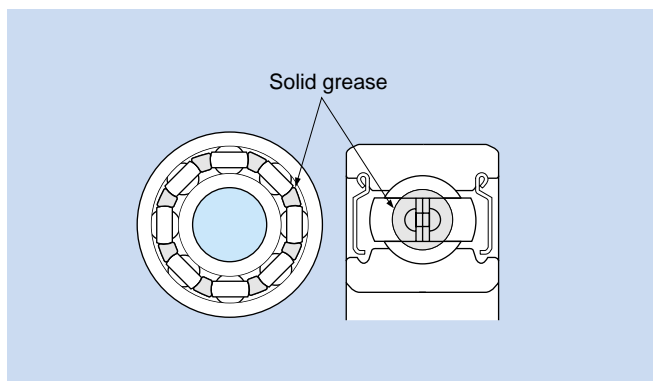


Fig. 11.3 Deep groove ball bearing with spot-pack solid grease (Z shield) (Standard for deep groove ball bearings)

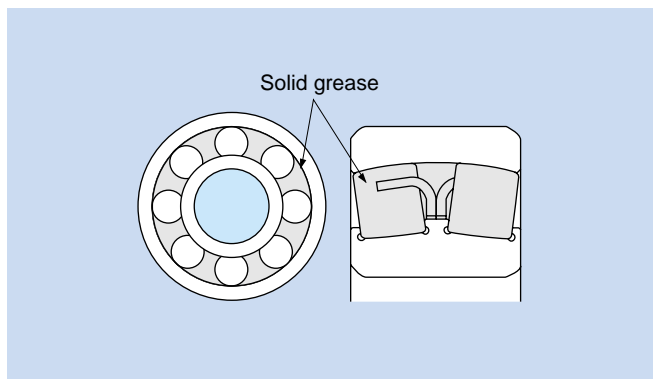


Fig. 11.4 Spherical roller bearing with full-pack solid grease (Standard for spherical roller bearings)

11.5 Oil lubrication

Oil lubrication is suitable for applications requiring that bearing-generated heat or heat applied to the bearing from other sources be carried away from the bearing and dissipated to the outside. **Table 11.6** shows the main methods of oil lubrication.

11.5.1 Selection of lubricating oil

Under normal operating conditions, **spindle oil, machine oil, turbine oil**, and other mineral oils are widely used for the lubrication of rolling bearings. However, for temperatures **above 150°C** or **below -30°C**, synthetic oils such as **diester oil, silicone oil, and fluorocarbon oil** are used.

For lubricating oils, viscosity is one of the most important properties and determines an oil's lubricating efficiency. If viscosity is too low, formation of the oil film will be insufficient, and damage will occur to the load carrying surfaces of the bearing. If viscosity is too high, viscous resistance will also be great and result in temperature increases and friction loss. In general, for higher speed applications a lower viscosity oil should be used; for heavier load applications, a higher viscosity oil should be used.

In regard to operating temperature and lubrication, **Table 11.7** lists the required oil viscosity for different types of rolling bearings. **Fig. 11.5** is an oil viscosity - operating temperature comparison chart for the purpose of selecting a lubrication oil with viscosity characteristics appropriate to an application.

Table 11.8 lists the selection standards for lubricating oil viscosity with reference to bearing operating conditions.

Table 11.7 Required lubricating oil viscosity for bearings

Bearing type	Dynamic viscosity mm ² /s
Ball bearings, Cylindrical roller bearings, Needle roller bearings	13
Spherical roller bearings, Tapered roller bearings, Needle roller thrust bearings	20
Self-aligning roller thrust bearings	30

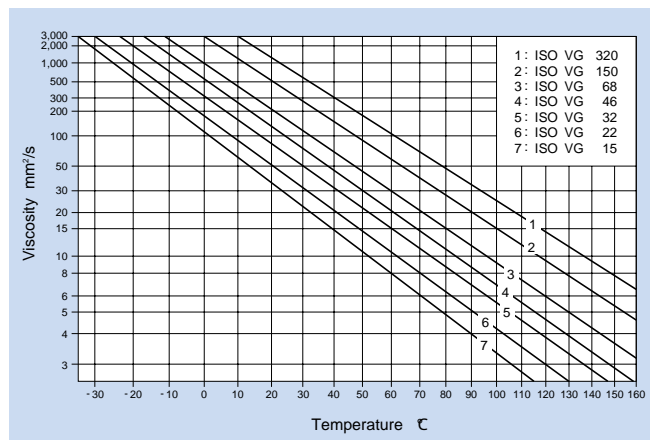


Fig. 11.5 Relation between lubricating oil viscosity and temperature

Table 11.6 Oil lubrication methods

Lubrication method	Example	Lubrication method	Example
<p>(Oil bath lubrication)</p> <ul style="list-style-type: none"> Oil bath lubrication is the most generally used method of lubrication and is widely used for low to moderate rotation speed applications. For horizontal shaft applications, oil level should be maintained at approximately the center of the lowest rolling element, according to the oil gauge, when the bearing is at rest. For vertical shafts at low speeds, oil level should be maintained at 50 - 80% submergence of the rolling elements. 		<p>(Disc lubrication)</p> <ul style="list-style-type: none"> In this method, a partially submerged disc rotates and pulls oil up into a reservoir from which it then drains down through the bearing, lubricating it. 	
<p>(Oil spray lubrication)</p> <ul style="list-style-type: none"> In this method, an impeller or similar device mounted on the shaft draws up oil and sprays it onto the bearing. This method can be used at considerably high speeds. 		<p>(Oil mist lubrication)</p> <ul style="list-style-type: none"> Using pressurized air, lubricating oil is atomized before passing through the bearing. Due to the low lubricant resistance, this method is well suited to high speed applications. 	
<p>(Drip lubrication)</p> <ul style="list-style-type: none"> In this method, oil is collected above the bearing and allowed to drip down into the housing where it becomes a lubricating mist as it strikes the rolling elements. Another version allows only slight amounts of oil to pass through the bearing. Used at relatively high speeds for light to moderate load applications. In most cases, oil volume is a few drops per minute. 		<p>(Air-oil lubrication)</p> <ul style="list-style-type: none"> In this method, the required minimum amount of lubricating oil is measured and fed to each bearing at ideal intervals using compressed air. With fresh lubricating oil constantly being fed to the bearing, and with the cooling effect of the compressed air, bearing temperature rise can be minimized. Because the required oil quantity is infinitesimal, the working environment can be kept clean. Air-oil lubrication units are available from NTN. 	
<p>(Circulating lubrication)</p> <ul style="list-style-type: none"> Used for bearing cooling applications or for automatic oil supply systems in which the oil supply is centrally located. One of the advantages of this method is that oil cooling devices and filters to maintain oil purity can be installed within the system. In order for oil to thoroughly lubricate the bearing, oil inlets and outlets must be provided on opposite sides of the bearing. 		<p>(Oil jet lubrication)</p> <ul style="list-style-type: none"> This method lubricates by injecting oil under high pressure directly into the side of the bearing. This is a reliable system for high speed, high temperature or otherwise severe conditions. Used for lubricating the bearings in jet engines, gas turbines, and other high speed equipment. Under-race lubrication for machine tools is one example of this type of lubrication. 	

Table 11.8 Selection standards for lubricating oils (Reference)

Bearing operating temperature °C	dn-value	Lubricating oil ISO viscosity grade (VG)		Suitable bearing
		Normal load	Heavy load or shock load	
- 30 ~ 0	Up to allowable revolutions	22 , 32	46	All types
0 ~ 60	15,000 Up to	46 , 68	100	All types
	15,000 ~ 80,000	32 , 46	68	All types
	80,000 ~ 150,000	22 , 32	32	All types but thrust ball bearings
	150,000 ~ 500,000	10	22 , 32	Single row radial ball bearings, cylindrical roller bearings
60 ~ 100	15,000 Up to	150	220	All types
	15,000 ~ 80,000	100	150	All types
	80,000 ~ 150,000	68	100 , 150	All types but thrust ball bearings
	150,000 ~ 500,000	32	68	Single row radial ball bearings, cylindrical roller bearings
100 ~ 150	Up to allowable revolutions	320		All types
0 ~ 60	Up to allowable revolutions	46 , 68		Self-aligning roller bearings
60 ~ 100	Up to allowable revolutions	150		

Note 1: Applied when lubrication method is either oil bath or circulating lubrication.

2: Please consult NTN Engineering in cases where operating conditions fall outside the range covered by this table.

11.5.2 Oil quantity

In forced oil lubrication systems, the heat radiated away by the housing and surrounding parts plus the heat carried away by the lubricating oil is approximately equal to the amount of heat generated by the bearing and other sources.

For standard housing applications, the quantity of oil required can be found by formula (11.2).

$$Q = K \cdot q \dots\dots\dots (11.2)$$

where,

Q : Quantity of oil for one bearing cm³/min.

K : Allowable oil temperature rise factor (**Table 11.9**)

q : Minimum oil quantity cm³/min. (**Fig. 11.6**)

Because the amount of heat radiated will vary according to the type of housing, for actual operation it is advisable that the quantity of oil calculated by formula (11.2) be multiplied by a factor of 1.5 or 2.0. Then, the amount of oil can be adjusted to correspond to actual operating conditions.

Furthermore, if it is assumed for calculation purposes that no heat is radiated by the housing, and that all bearing heat is removed by the oil, then the value in **Fig. 11.3** for shaft diameter, $d = 0$, regardless of actual shaft diameter.

(Example) For tapered roller bearing **30220U** mounted on a flywheel shaft with a radial load of 9.5 kN { 969 kgf }, operating at 1,800 r/min, what is the amount of lubricating oil required to keep the bearing temperature rise below 15°C.

$$d = 100 \text{ mm ,}$$

$$dn = 100 \times 1,800 = 18 \times 10^4$$

From **Fig. 11.6** $q = 180\text{cm}^3 / \text{min}$

Assume the bearing temperature is approximately equal to the expelled oil temperature, from **Table 11.9**, since $K = 1$

$$Q = 1 \times 180 = 180\text{cm}^3 / \text{min}$$

Table 11.9 Factor K

Expelled oil temp minus supplied oil temp °C	K
10	1.5
15	1
20	0.75
25	0.6

11.5.3 Relubrication intervals

The intervals at which lubricating oil should be changed varies depending upon operating conditions, oil quantity, and type of oil used. In general, for oil bath lubrication where the operating temperature is 50°C or less, oil should be replaced once a year. When the operating temperature is between 80°C – 100°C, oil should be replaced at least every three months. For important equipment, it is advisable that lubricating efficiency and oil purity deterioration be checked regularly to determine when oil replacement is necessary.

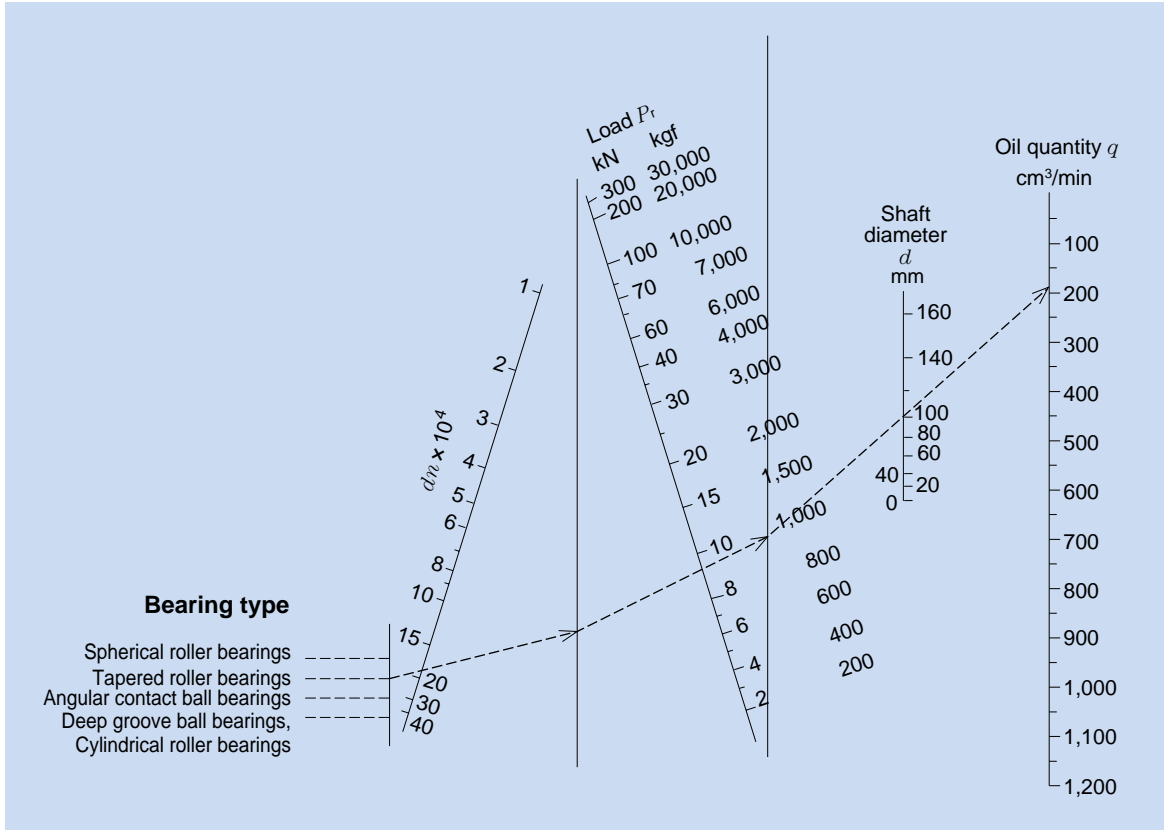


Fig. 11.6 Oil quantity guidelines

12. External bearing sealing devices

External seals have two main functions: to prevent lubricating oil from leaking out, and, to prevent dust, water, and other contaminants from entering the bearing. When selecting a seal, the following factors need to be taken into consideration: the type of lubricant (oil or grease), seal peripheral speed, shaft fitting errors, space limitations, seal friction and resultant heat increase, and cost.

Sealing devices for rolling bearings fall into two main classifications: non-contact seals and contact seals.

- Non-contact seals:** Non-contact seals utilize a small clearance between the shaft and the housing cover. Therefore friction is negligible, making them suitable for high speed applications.

In order to improve sealing capability, clearance spaces are often filled with lubricant.

- Contact seals:** Contact seals accomplish their sealing

action through the contact pressure of a resilient part of the seal (the lip is often made of synthetic rubber) and the sealing surface. Contact seals are generally far superior to non-contact seals in sealing efficiency, although their friction torque and temperature rise coefficients are higher. Furthermore, because the lip portion of a contact seal rotates while in contact with the shaft, the allowable seal peripheral speed varies depending on seal type.

Lubrication is necessary at the contact surface between the lip portion of the contact seal and the shaft. Ordinary bearing lubricant can also be used for this purpose.

The following chart lists the special characteristics of seals and other points to be considered when choosing an appropriate seal.

Type	Seal construction	Name	Seal characteristics and selection considerations
Non-contact seals		Clearance seal	This is an extremely simple seal design with a small radial clearance.
		Oil groove seal (oil grooves on housing side)	Several concentric oil grooves are provided on the housing inner diameter to greatly improve the sealing effect. When the grooves are filled with lubricant, the intrusion of contaminants from the outside is prevented.
		Oil groove seal (oil grooves on shaft and housing side)	Oil grooves are provided on both the shaft outer diameter and housing inner diameter for a seal with even greater sealing efficiency.
		Axial labyrinth seal	This seal has a labyrinth passageway on the axial side of the housing.
		Radial labyrinth seal	A labyrinth passageway is affixed to the radial side of the housing. For use with split housings. This offers better sealing efficiency than axial labyrinth seals.
		Aligning labyrinth seal	The seal's labyrinth passageway is slanted and has sufficient clearance to prevent contact between the housing projections and the shaft even as the shaft realigns.

Cautionary points regarding selection

- In order to improve sealing efficiency, clearances between the shaft and housing should be minimized. However, care should be taken to confirm shaft/bearing rigidity and other factors to avoid direct shaft-housing contact during operation.

Oil groove clearance (reference)

Shaft diameter mm	Clearance mm
50 Up to	0.2 ~ 0.4
50 or above	0.5 ~ 1.0

- Oil groove width, depth (reference)
width : 2 ~ 5 mm
depth : 4 ~ 5 mm
- Three or more oil grooves should be provided.
- Sealing efficiency can be further improved by filling the oil groove portion with grease of which the viscosity grade is 150 to 200.
- Grease is generally used as the lubricant for labyrinth seals, and, except in low speed applications, is commonly used together with other sealing devices.

Cautionary points regarding selection

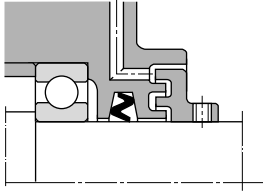
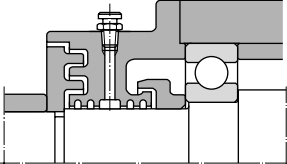
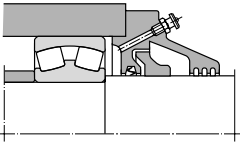
- In order to improve sealing efficiency, labyrinth passageway clearances should be minimized. However, care should be taken to confirm shaft/bearing rigidity, fit, internal clearances and other factors to avoid direct contact between labyrinth projections during operation.

Labyrinth clearance (reference)

Shaft diameter mm	Clearance mm	
	Radial direction	Axial direction
— ~ 50	0.2 ~ 0.4	1.0 ~ 2.0
50 ~ 200	0.5 ~ 1.0	3.0 ~ 5.0

- Sealing efficiency can be further improved by filling the labyrinth passageway with grease of which the viscosity grade is 150 to 200.
- Labyrinth seals are suitable for high speed applications.

Type	Seal construction	Name	Seal characteristics and selection considerations																																												
Non-contact seals		Oil comb sleeve	<p>In this design, lubricating oil that makes its way out of the housing along the shaft is thrown off by projections on the oil comb sleeve and recirculated.</p> <p>By providing a slinger inside the housing, centrifugal force guides the lubricant flow back on the bearing and helps prevent it from dirtying the work environment.</p> <p>By mounting a slinger on the outside of the housing, centrifugal force helps to prevent dust and other solid contaminants from entering.</p> <div style="border: 1px solid black; padding: 5px;"> <p>Cautionary points regarding selection</p> <ul style="list-style-type: none"> • By installation on the revolving shaft, these seal types make use of centrifugal force to aid lubrication, seal in lubricant, and prevent the entrance of contaminants. • Installation of a slinger inside the housing further enhances the sealing in of lubricants. • Installation of a slinger on the outside of the housing will provide greater protection against dust and other bearing contaminants. • These seal types are commonly employed together with other sealing devices. </div>																																												
		Internal slinger																																													
		External slinger																																													
Contact seals		Z grease seal	<p>In cross section resembling the letter "Z," this seal's empty spaces are filled with grease. The seal is commonly used with a plummer block (bearing housing).</p> <p>This design enhances sealing efficiency with a lip that seals from the axial direction. With the aid of centrifugal force, this seal also offers effective protection against dust, water, and other contaminants entering the bearing. Grease can be used on both sides of the seal.</p> <p>At seal peripheral speeds in excess of 12 m/s, seal ring fit is lost due to centrifugal force, and a clamping band is necessary to hold it in place.</p> <p>Oil seals are widely used, and their shapes and dimensions are standardized under JIS B 2402. In this design, a ring-shaped spring is installed in the lip section. As a result, optimal contact pressure is exerted between the lip edge and shaft surface, and sealing efficiency is good.</p> <p>When the oil seal and the bearing are in very close proximity, internal bearing clearances are sometimes too small to accommodate the additional heat generated by friction between the seal and shaft. In addition to considering the heat generated by contact seals at various peripheral speeds, internal bearing clearances must also be selected with caution.</p> <p>Depending upon the direction in which the lip faces (in toward the bearing or away from the bearing) contact oil seals are very effective at preventing lubricant leakage from the housing or contaminants from infiltrating the bearing.</p> <div style="border: 1px solid black; padding: 5px;"> <p>Cautionary points regarding selection</p> <p>Shaft surface roughness (reference)</p> <table border="1"> <thead> <tr> <th rowspan="2">Peripheral speed m/s</th> <th colspan="2">Surface roughness</th> </tr> <tr> <th>Ra</th> <th>Rmax</th> </tr> </thead> <tbody> <tr> <td>~ 5</td> <td>0.8a</td> <td>3.2s</td> </tr> <tr> <td>5 ~ 10</td> <td>0.4a</td> <td>1.6s</td> </tr> <tr> <td>10 ~</td> <td>0.2a</td> <td>0.8s</td> </tr> </tbody> </table> <p>Shaft material (reference)</p> <table border="1"> <tbody> <tr> <td>Material</td> <td>Machine structural carbon steel Low carbon alloy steel Stainless steel</td> </tr> <tr> <td>Surface hardness</td> <td>HRC 40 or higher necessary HRC 55 or higher advisable</td> </tr> <tr> <td>Processing method</td> <td>Final grinding without repeat (moving), or buffed after hard chrome plating</td> </tr> </tbody> </table> <p>Allowable speed/temperature according to seal type/material (reference)</p> <table border="1"> <thead> <tr> <th>Seal type/material</th> <th>Allowable peripheral speed $m/s \left(\frac{1}{m/s} = \frac{\pi d(mm) \times n(r/min)}{60,000} \right)$</th> <th>Allowable temp °C</th> </tr> </thead> <tbody> <tr> <td>Nitrile rubber</td> <td>16 or less</td> <td>-25 ~ +120</td> </tr> <tr> <td rowspan="3">Oil seals</td> <td>Acrylic rubber</td> <td>26 or less</td> <td>-15 ~ +150</td> </tr> <tr> <td>Fluorinated rubber</td> <td>32 or less</td> <td>-30 ~ +200</td> </tr> <tr> <td>Nitrile rubber</td> <td>6 or less</td> <td>-25 ~ +120</td> </tr> <tr> <td>Z-seal</td> <td>Nitrile rubber</td> <td>6 or less</td> <td>-25 ~ +120</td> </tr> <tr> <td>V-ring</td> <td>Nitrile rubber</td> <td>40 or less</td> <td>-25 ~ +120</td> </tr> </tbody> </table> </div>	Peripheral speed m/s	Surface roughness		Ra	Rmax	~ 5	0.8a	3.2s	5 ~ 10	0.4a	1.6s	10 ~	0.2a	0.8s	Material	Machine structural carbon steel Low carbon alloy steel Stainless steel	Surface hardness	HRC 40 or higher necessary HRC 55 or higher advisable	Processing method	Final grinding without repeat (moving), or buffed after hard chrome plating	Seal type/material	Allowable peripheral speed $m/s \left(\frac{1}{m/s} = \frac{\pi d(mm) \times n(r/min)}{60,000} \right)$	Allowable temp °C	Nitrile rubber	16 or less	-25 ~ +120	Oil seals	Acrylic rubber	26 or less	-15 ~ +150	Fluorinated rubber	32 or less	-30 ~ +200	Nitrile rubber	6 or less	-25 ~ +120	Z-seal	Nitrile rubber	6 or less	-25 ~ +120	V-ring	Nitrile rubber	40 or less	-25 ~ +120
	Peripheral speed m/s	Surface roughness																																													
		Ra		Rmax																																											
	~ 5	0.8a		3.2s																																											
5 ~ 10	0.4a	1.6s																																													
10 ~	0.2a	0.8s																																													
Material	Machine structural carbon steel Low carbon alloy steel Stainless steel																																														
Surface hardness	HRC 40 or higher necessary HRC 55 or higher advisable																																														
Processing method	Final grinding without repeat (moving), or buffed after hard chrome plating																																														
Seal type/material	Allowable peripheral speed $m/s \left(\frac{1}{m/s} = \frac{\pi d(mm) \times n(r/min)}{60,000} \right)$	Allowable temp °C																																													
Nitrile rubber	16 or less	-25 ~ +120																																													
Oil seals	Acrylic rubber	26 or less	-15 ~ +150																																												
	Fluorinated rubber	32 or less	-30 ~ +200																																												
	Nitrile rubber	6 or less	-25 ~ +120																																												
Z-seal	Nitrile rubber	6 or less	-25 ~ +120																																												
V-ring	Nitrile rubber	40 or less	-25 ~ +120																																												
	V-ring seal																																														
	Oil seal																																														

Type	Seal construction	Name	Seal characteristics and selection considerations
Combination seals		Z-seal + Labyrinth seal	<p>This is an example of an axial labyrinth seal which has been combined with a Z-seal to increase its sealing efficiency. The axial labyrinth seal is affixed to the shaft with a setting bolt or other method. In the diagram on the left, both the direction of the Z-seal and the labyrinth seal are oriented to keep dust and other contaminants out of the bearing.</p> <p>Because a Z-seal has been incorporated, the allowable peripheral speed should not exceed 6 m/s.</p>
		Labyrinth seal + Oil groove seal + Slinger	<p>This is an example of a combination of three different non-contact seals. It has the advantage of preventing both lubricant leakage from inside the bearing and infiltration of dust and other contaminants from the outside. It is widely used on mining equipment and as a sealing system with plummer blocks in extremely dusty application conditions.</p>
		Oil groove seal + Slinger + Z-seal	<p>This is an example where an oil groove seal and slinger have been combined with a Z-seal to increase its sealing efficiency. In the diagram on the left, all three seals have been oriented to keep dust and other contaminants out of the bearing. The combination is widely used on mining equipment and as a sealing system with plummer blocks in extremely dusty application conditions.</p>

13. Bearing Materials

13.1 Raceway and rolling element materials

While the contact surfaces of a bearing's raceways and rolling elements are subjected to repeated heavy stress, they still must maintain high precision and rotational accuracy. To accomplish this, the raceways and rolling elements must be made of a material that has high hardness, is resistant to rolling fatigue, is wear resistant, and has good dimensional stability. The most common cause of fatigue cracking in bearings is the inclusion of non-metallic impurities in the steel. By using pure materials low in these non-metallic impurities, the rolling fatigue life of the bearing is lengthened.

For all NTN bearings, steel low in oxygen content and non-metallic impurities, then refined by a vacuum degassing process as well as outside hearth smelting, is used. For bearings requiring especially high reliability and long life, steels of even higher in purity, such as vacuum smelted steel (VIM, VAR, CEVM) and electro-slag melted steel (ESR), are used.

1) High/mid carbon alloy steel

In general, steel varieties which can be hardened not just on the surface but also deep hardened by the so-called "through hardening method" are used for the raceways and rolling elements of bearings. Foremost among these is high carbon chromium bearing steel, which is widely used. For large type bearings and bearings with large cross sectional dimensions, induction hardened bearing steel incorporating manganese or molybdenum is used. Also in use is mid-carbon chromium steel incorporating silicone and manganese, which gives it hardening properties comparable to high carbon chromium steel.

2) Case hardened (carburized) steel

Because of its combination of a hard surface layer which has been carburized and hardened to an appropriate depth, and a relatively pliable inner core, case hardened steel has excellent efficiency against shock loads. NTN uses case hardened steel for almost all of its tapered roller bearings. In terms of case hardened steel for NTN's other bearings, chromium steel and chrome molybdenum steel are used for small to medium sized bearings, and nickel chrome molybdenum steel is used for large sized bearings.

3) Heat resistant bearing steel

When bearings made of ordinary high carbon chromium steel which have undergone standard heat treatment are used at temperatures above 120°C for long durations, unacceptably large dimensional changes can occur. For this reason, a dimension stabilizing treatment (TS treatment) has been devised for very high temperature applications. Through application of this dimension stabilizing treatment, shortening of rolling fatigue life due to decreases in bearing hardness at high temperatures can be avoided. (refer to page insert A-17 3.4.2)

For standard high temperature bearings used at temperatures from 150°C – 200°C, the addition of silicone to the steel improves heat resistance and results in a bearing with excellent rolling fatigue life with minimal dimensional change or softening at high temperatures.

A variety of heat resistant steels are also incorporated in bearings to minimize softening and dimensional changes when used at high temperatures. Two of these are high speed molybdenum steel and high speed tungsten steel. For bearings requiring heat resistance in high speed applications, there is also heat resistant case hardening molybdenum steel.

4) Corrosion resistant bearing steel

For applications requiring high corrosion resistance, stainless steel is used. To achieve this corrosion resistance a large proportion of the alloying element chrome is added to martensite stainless steel.

5) Induction hardened steel

Besides the use of surface hardening steel, induction hardening is also utilized for bearing raceway surfaces, and for this purpose mid-carbon steel is used for its lower carbon content instead of through hardened steel. For induction hardening of the deep layers required for larger bearings and bearings with large surface dimensions, mid-carbon steel is fortified with chrome and molybdenum.

6) Other bearing materials

For ultra high speed applications and applications requiring very high level corrosion resistance, ceramic bearing materials such as Si₃N₄ are also available.

13.2 Cage materials

Bearing cage materials must have the strength to withstand rotational vibrations and shock loads. These materials must also have a low friction coefficient, be light weight, and be able to withstand bearing operation temperatures.

For small and medium sized bearings, pressed cages of cold or hot rolled steel with a low carbon content of approx. 0.1% are used. However, depending on the application, austenitic stainless steel is also used.

For large bearings, machined cages of machine structural carbon steel or high tensile cast brass are widely used, although aluminum alloy and other material cages are also available.

For aircraft engine bearings, high tensile brass, mid-carbon nickel, chrome, or molybdenum steel is used after undergoing various heat treatments and high temperature tempering. The sliding properties of these materials may also be enhanced when silver plated.

Injection molded plastic cages are now widely used: most are made from fiber glass reinforced heat resistant polyimide resin. Plastic cages are light weight, corrosion resistant and have excellent damping and sliding properties. **Heat resistant polyimide resins now enable the production of cages that perform well in applications ranging between -40°C – 120°C.** However, they are not recommended for use at temperatures exceeding 120°C.

14. Shaft and Housing Design

Depending upon the design of a shaft or housing, the shaft may be influenced by an unbalanced load or other factors which can then cause large fluctuations in bearing efficiency. For this reason, it is necessary to keep the following points in mind when designing or choosing the design for shafts and housings.

- 1) Bearing arrangement selection; most effective fixing method for bearing arrangement
- 2) Suitable shaft and housing fillet radius and abutment height dimensions
- 3) Dimensions of fitted surfaces; shape accuracy and abutment squareness
- 4) Allowable bearing misalignment; finishing precision and installation error of shaft and housing suitable for allowable alignment angle

14.1 Fixing of bearings

When fixing a bearing in position on a shaft or housing, there are many instances where the interference fit alone is not enough to hold the bearing in place. Bearings must be fixed in place by various methods so that they do not move axially when placed under load.

Moreover, **even bearings which are not subjected to axial loads (such as cylindrical roller bearings, etc.), must be fixed in place axially because of the potential for ring displacement due to momentary loads and resulting shaft flexure which may cause damage.**

Table 14.1 shows general bearing fixing methods, and **Table 14.2** shows fixing methods for bearings with tapered bores.

Table 14.1 General bearing fixing methods

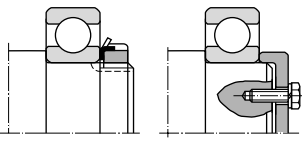
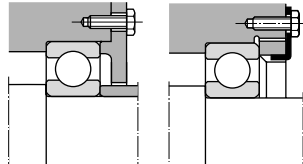
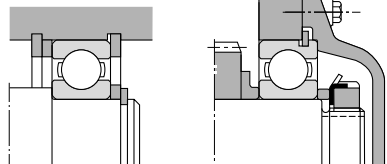
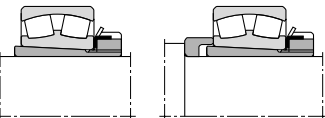
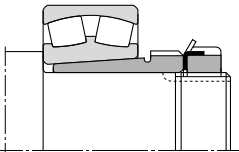
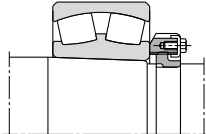
Inner ring clamp	Outer ring clamp	Snap ring
		
<p>The most common method of fixing bearings in place is to use clamping nuts or bolts to hold the bearing or housing abutment against the ring end face.</p>		<p>Use of snap rings regulated under JIS B 2804, B 2805, and B 2806, makes construction very simple. However, interference with chamfers, bearing installation dimensions, and other related specifications must be considered carefully.</p> <p>Snap rings are not suitable for applications requiring high accuracy and where the snap ring receives large axial loads.</p>

Table 14.2 Fixing methods for bearings with tapered bores

Adapter sleeve mounting	Withdrawal sleeve mounting	Split ring mounting
		
<p>When installing bearings on cylindrical shafts, adapter sleeves or withdrawal sleeves can be used to fix bearings in place axially.</p> <p>Fixing the bearing axially in this way depends upon friction between the sleeve and shaft.</p>		<p>For installation of tapered bore bearings directly on tapered shafts, the bearing is held in place by a split ring inserted into a groove on the shaft, and is fixed in place by a split ring nut or screw.</p>

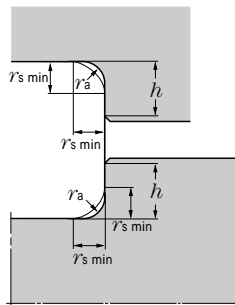
14.2 Bearing fitting dimensions

14.2.1 Abutment height and fillet radius

The shaft and housing abutment height (h) should be larger than the bearings' maximum allowable chamfer dimensions ($r_{s \text{ max}}$), and the abutment should be designed so that it directly contacts the flat part of the bearing end face. The fillet radius must be smaller than the bearing's minimum allowable chamfer dimension ($r_{s \text{ min}}$) so that it does not interfere with bearing seating.

Table 14.3 lists abutment height (h) and fillet radius (r_a).

For bearings to be applied to very large axial loads as well, shaft abutments (h) should be higher than the values in the table.



14.2.2 For spacer and ground undercut

In cases where a fillet radius (r_a) larger than the bearing chamfer dimension is required to strengthen the shaft or to relieve stress concentration (**Fig. 14.1a**), or where the shaft abutment height is too low to afford adequate contact surface with the bearing (**Fig. 14.1b**), spacers may be used effectively.

Relief dimensions for ground shaft and housing fitting surfaces are given in **Table 14.4**.

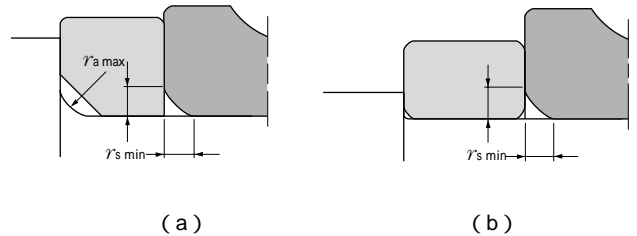


Fig. 14.1 Bearing mounting with spacer

Table 14.3 Fillet radius and abutment height Unit mm

$r_{s \text{ min}}$	$r_{as \text{ max}}$	h (min)	
		Normal use ^①	Special use ^②
0.05	0.05	0.3	
0.08	0.08	0.3	
0.1	0.1	0.4	
0.15	0.15	0.6	
0.2	0.2	0.8	
0.3	0.3	1.25	1
0.6	0.6	2.25	2
1	1	2.75	2.5
1.1	1	3.5	3.25
1.5	1.5	4.25	4
2	2	5	4.5
2.1	2	6	5.5
2.5	2	6	5.5
3	2.5	7	6.5
4	3	9	8
5	4	11	10
6	5	14	12
7.5	6	18	16
9.5	8	22	20
12	10	27	24
15	12	32	29
19	15	42	38

- ① It is necessary to be larger abutment height than the above value under larger thrust load.
- ② The values in this "Special Case" column should be adopted in cases where the thrust load is extremely small except for tapered roller bearings angular contact bearings, spherical roller bearings.

Note: $r_{as \text{ max}}$ maximum allowable fillet radius.

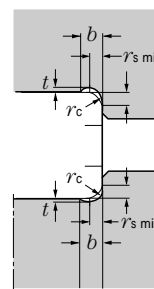


Table 14.4 Relief dimensions for ground shaft Unit mm

$r_{s \text{ min}}$	Relief dimensions		
	b	t	r_c
1	2	0.2	1.3
1.1	2.4	0.3	1.5
1.5	3.2	0.4	2
2	4	0.5	2.5
2.1	4	0.5	2.5
2.5	4	0.5	2.5
3	4.7	0.5	3
4	5.9	0.5	4
5	7.4	0.6	5
6	8.6	0.6	6
7.5	10	0.6	7

14.2.3 Thrust bearings and relief dimensions

For thrust bearings, it is necessary to make the raceway back face sufficiently broad in relation to load and rigidity, and relief dimensions from the dimension tables should be adopted. (Figs. 14.2 and 14.3)

For this reason, shaft and abutment heights will be larger than for radial bearings. (Refer to dimension tables for all thrust bearing relief dimensions.)

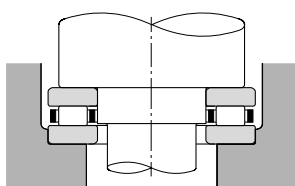


Fig. 14.2

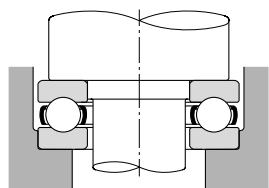


Fig. 14.3

14.3 Shaft and housing accuracy

Table 14.5 shows the accuracies for shaft and housing fitting surface dimensions and configurations, as well as fitting surface roughness and abutment squareness for normal operating conditions.

Table 14.5 Shaft and housing accuracy

Characteristics		Shaft	Housing
Dimensional accuracy		IT6 (IT5)	IT7 (IT5)
Circularity (max.) Cylindricity		IT3	IT4
Abutment squareness		IT3	IT3
Fitted surface roughness	Small size bearings	0.8a	1.6a
	Mid-large size bearings	1.6a	3.2a

Note: For precision bearings (P4, P5 accuracy), it is necessary to increase the circularity and cylindricity accuracies in this table by approximately 50%. For more specific information, please consult the NTN precision rolling bearing catalog.

14.4 Allowable bearing misalignment

A certain amount of misalignment of a bearing's inner and outer rings occurs as a result of shaft flexure, shaft or housing finishing irregularities, and minor installation error. In situations where the degree of misalignment is liable to be relatively large, self-aligning ball bearings, spherical roller bearings, bearing units and other bearings with aligning properties are advisable. Although allowable misalignment will vary according to bearing type, load conditions, internal clearances, etc., Table 14.6 lists some general misalignment standards for normal applications. In order to avoid reduced wear life and cage abrasion, it is necessary to maintain levels of misalignment below these standard levels.

Table 14.6 Bearing type and allowable misalignment/alignment allowance

Allowable misalignment	
Deep groove ball bearings	1/1,000 ~ 1/300
Angular contact ball bearings	
Single row	1/1,000
Multi row	1/10,000
back to back arrangement	1/10,000
Face to face arrangement	1/1,000
Cylindrical roller bearings	
Bearing series 2, 3, 4	1/1,000
Bearing series 22, 23, 49, 30	1/2,000
Tapered roller bearings	
Single row/back to back arrangement	
Face-to-face arrangement	1/2,000
Needle roller bearings	1/1,000
Thrust bearings	1/2,000
(excluding self-aligning roller thrust bearings)	1/10,000
Alignment allowance	
Self-aligning ball bearings	1/20
Spherical roller bearings	1/50 ~ 1/30
Self-aligning roller thrust bearings	1/30
Ball bearing units	
Without cover	1/30
With cover	1/50

15. Bearing Handling

Bearings are precision parts and, in order to preserve their accuracy and reliability, care must be exercised in their handling.

In particular, bearing cleanliness must be maintained, sharp impacts avoided, and rust prevented.

15.1 Bearing storage

Most rolling bearings are coated with a rust preventative before being packed and shipped, and they should be stored at room temperature with a relative humidity of less than 60%.

15.2 Installation



When bearings are being installed on shafts or in housings, the bearing rings should never be struck directly with a hammer or a drift, as shown in **Fig. 15.1**, because damage to the bearing may result. **Any force applied to the bearing should always be evenly distributed over the entire bearing ring face.** Also, when fitting both rings simultaneously, applying pressure to one ring only, as shown in **Fig. 15.2**, should be avoided because indentations in the raceway surface may be caused by the rolling elements, or other internal damage may result.

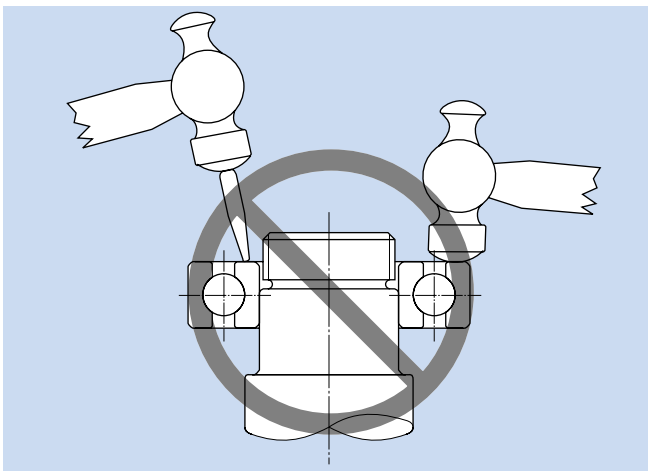


Fig. 15.1

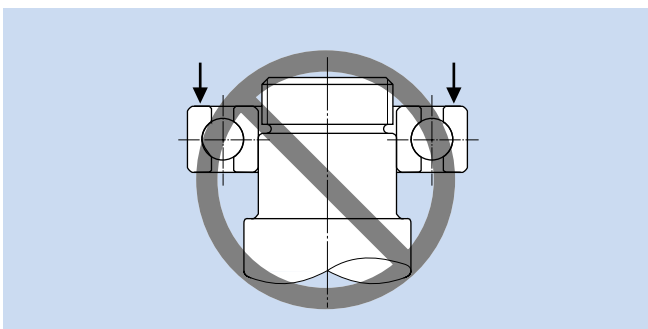


Fig. 15.2

15.2.1 Installation preparations

Bearings should be fitted in a clean, dry work area. Especially for small and miniature bearings, a "clean room" should be provided as any contamination particles in the bearing will greatly affect bearing efficiency.

Before installation, all fitting tools, shafts, housings, and related parts should be cleaned and any burrs or cutting chips removed if necessary. Shaft and housing fitting surfaces should also be checked for roughness, dimensional and design accuracy, and to ensure that they are within allowable tolerance limits.

Bearings should not be unwrapped until just prior to installation. Normally, bearings to be used with grease lubricant can be installed as is, without removing the rust preventative. However, for bearings which will use oil lubricant, or in cases where mixing the grease and rust preventative would result in loss of lubrication efficiency, the rust preventative should be removed by washing with benzene or petroleum solvent and dried before installation. Bearings should also be washed and dried before installation if the package has been damaged or there are other chances that the bearings have been contaminated. **Double shielded bearings and sealed bearings should never be washed.**

15.2.2 Installing cylindrical bore bearings

Bearings with relatively small interference fits can be press fit at room temperature by using a sleeve against the inner ring face as shown in **Fig. 15.3**. Usually, bearings are installed by striking the sleeve with a hammer; however, when installing a large number of bearings, a mechanical or hydraulic press should be used.

When installing non-separable bearings on a shaft and in a housing simultaneously, a pad which distributes the fitting pressure evenly over the inner and outer rings is used as shown in **Fig. 15.4**. When fitting bearings which have a large inner ring interference fit, or when fitting bearings on shafts that have a large diameter, a considerable amount of force is required to install the bearing at room temperature. Installation can be facilitated by heating and expanding the inner ring beforehand. The required relative temperature difference between the inner ring and the fitting surface depends on the amount of interference and the shaft fitting surface diameter. **Fig. 15.5** shows the relation between the bearing inner bore diameter temperature differential and

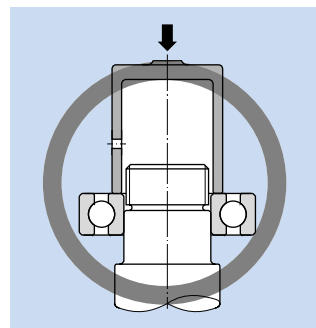


Fig. 15.3 Fitting sleeve pressure against inner ring

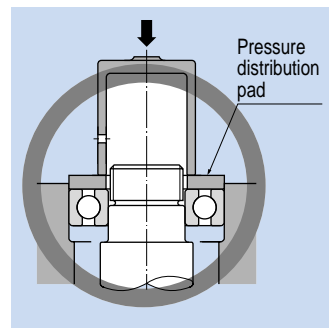


Fig. 15.4 Fitting sleeve pressure against inner /outer ring simultaneously pressure against inner ring

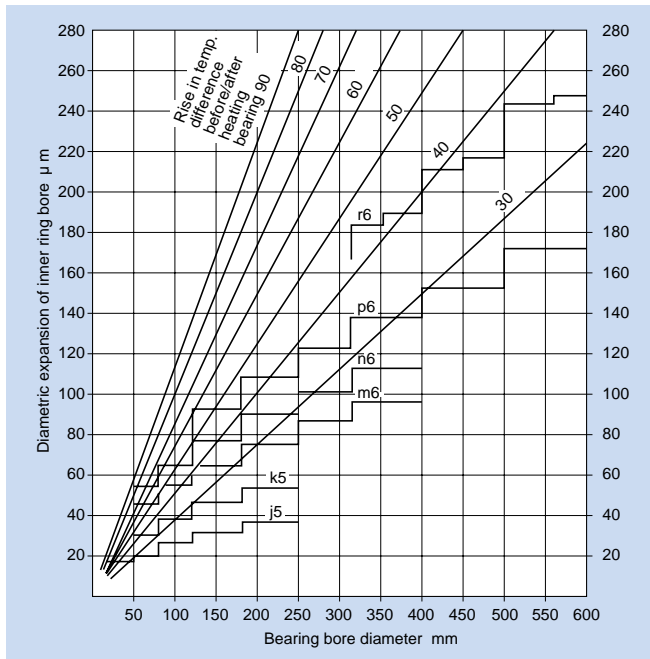


Fig. 15.5 Temperature differential required for shrinkage fit of inner ring

the amount of thermal expansion. **In any event, bearings should never be heated above 120°C.**

The most commonly used method of heating bearings is to immerse them in hot oil. However, this method should not be used for prelubricated shielded and sealed bearings.

To avoid overheating parts of the bearings they should never be brought into direct contact with the heat source, but instead should be suspended inside the heating tank or placed on a wire grid.

If bearings are dry-heated with a heating cabinet or hot plate, they can be mounted without drying.

For heating the inner rings of Nu, NJ or NUP cylindrical and similar type bearings without any ribs or with only a single rib, an induction heater can be used to quickly heat bearings in a dry state (**always demagnetize**).

When heated bearings are installed on shafts, the inner rings must be held against the shaft abutment until the bearing has been cooled in order to prevent gaps from occurring between the ring and the abutment face.

As shown in **Fig. 15.6**, a removal pawl, or tool, can also be used to dismount the inner ring when using the induction heating method described above.

15.2.3 Installation of tapered bore bearings

Small type bearings with tapered bores are installed over a tapered shaft, withdrawal sleeves, or adapter sleeves by driving the bearing into place using a locknut. The locknut is tightened using a hammer or impact wrench. (**Fig. 15.7**)

Large size bearings require considerable fitting force and must be installed hydraulically.

In **Fig. 15.8** the fitting surface friction and nut tightening

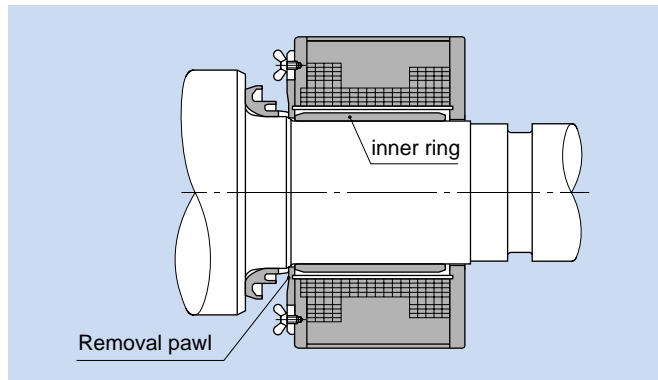


Fig. 15.6 Removal of inner ring using an induction heater

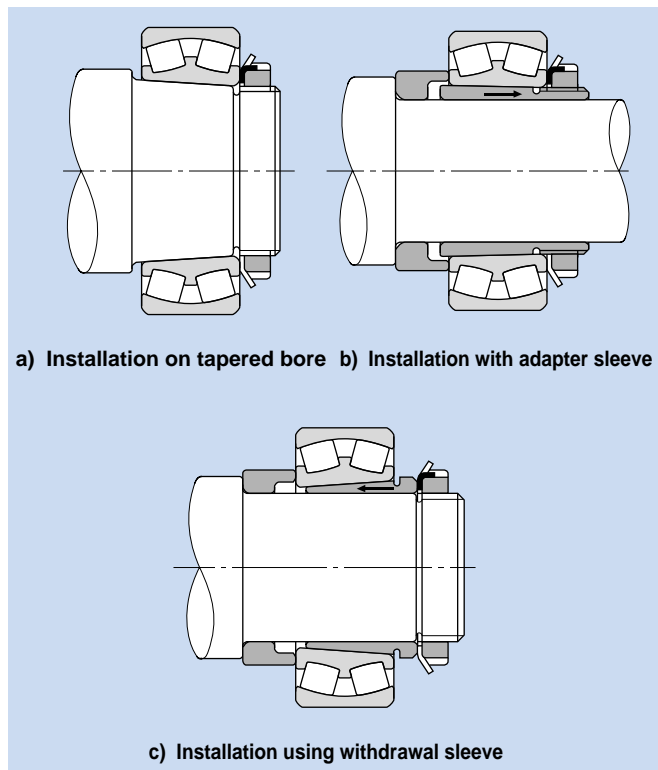


Fig. 15.7 Installation methods using locknuts

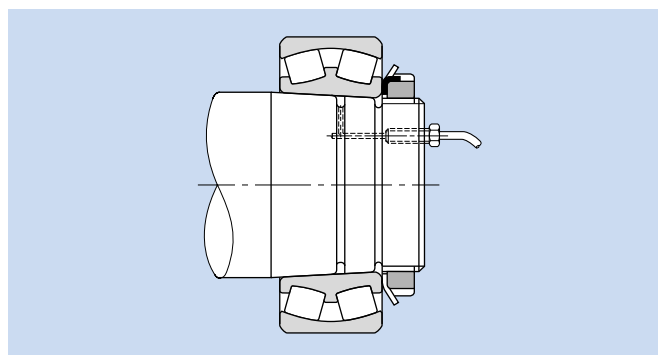


Fig. 15.8 Installation utilizing oil injection

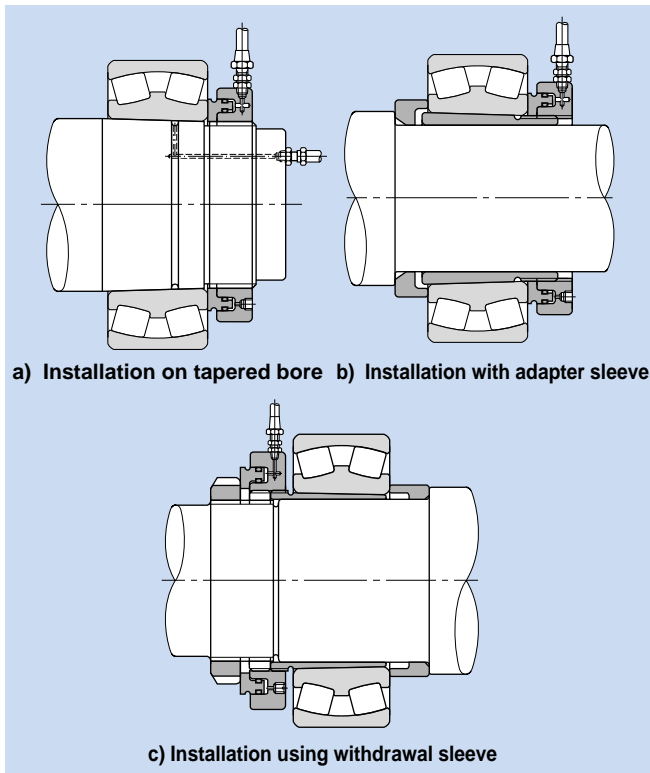


Fig. 15.9 Installation utilizing hydraulic nut

torque needed to install bearings with tapered bores directly onto tapered shafts are decreased by injecting high pressure oil between the fitting surfaces.

Fig. 15.9 a) shows one method of installation where a hydraulic nut is used to drive the bearing onto a tapered shaft.

Fig. 15.9 b) and c) show installation using a hydraulic nut with adapter sleeves and withdrawal sleeves.

Fig. 15.10 shows an installation method using a hydraulic withdrawal sleeve.

With tapered bore bearings, as the inner ring is driven axially onto the shaft or adapter or withdrawal sleeve, the interference will increase and the bearing internal radial clearance will decrease. The amount of interference can be estimated by measuring the amount or radial clearance decrease. As shown in **Fig. 15.11**, the internal radial clearance between the rollers and outer ring of spherical roller bearings should be measured with a thickness gauge under no load while the rollers are held in the correct position. The measured clearance should be the same for both rows. Instead of using the decrease in amount of internal radial clearance to estimate the interference, it is possible to estimate by measuring the distance the bearing has been driven onto the shaft.

For spherical roller bearings, **Table 15.1** indicates the appropriate interference which will be achieved as a result of the internal radial clearance decrease, or the distance the bearing has been driven onto the shaft.

For conditions such as heavy loads, high speeds, or when there is a large temperature differential between the inner and outer rings, etc. which necessitate large

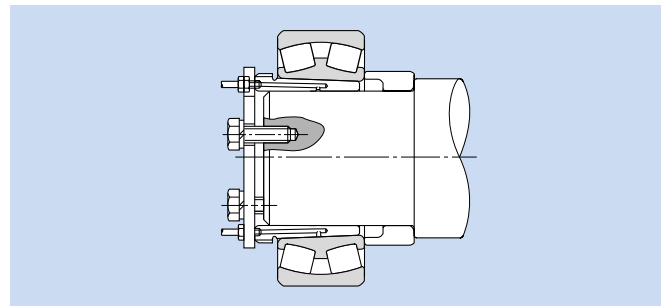


Fig. 15.10 Installation using hydraulic withdrawal sleeve

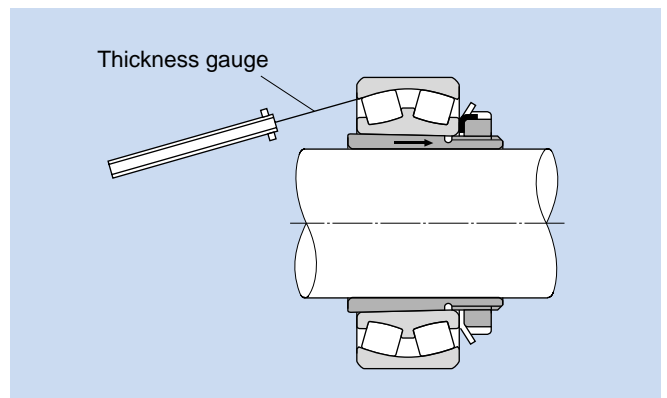


Fig. 15.11 Internal clearance measurement method for spherical roller bearings

interference fits, bearings which have a minimum internal radial clearance of C3 or greater should be used. **Table 15.1** lists the maximum values for internal radial clearance decrease and axial displacement. For these applications, the remaining clearance must be greater than the minimum remaining clearance listed in **Table 15.1**.

15.2.4 Installation of outer ring

Even for tight interference fits, the outer rings of small type bearings can be installed by driving them into housings at room temperature. For large type bearings, the housing can be heated before installing the bearing, or the bearing's outer ring can be cooled with dry ice, etc. before installing. If dry ice or other cooling agent is used, atmospheric moisture will condense on bearing surfaces, and therefore appropriate rust preventative measures are necessary.

15.3 Internal clearance adjustment

As shown in **Fig. 15.12**, for angular contact ball bearings and tapered roller bearings the desired amount of axial internal clearance can be set at the time of installation by tightening or loosening the adjustment nut.

To adjust the suitable axial internal clearance or amount of bearing preload, the internal clearance can be measured while tightening the adjusting nut as shown in **Fig. 15.13**. Other methods are to check rotation torque by rotating the shaft or housing while adjusting the nut, or to insert shims of the proper thickness as shown in **Fig. 15.14**.

Table 15.1 Installation of tapered bore spherical roller bearings

Units mm

Nominal bearing bore diameter d		Reduction of radial internal clearance		Axial displacement drive up				Minimum allowable residual clearance		
				Taper, 1:12		Taper, 1:30				
Over	incl.	Min	Max	Min	Max	Min	Max	CN	C3	C4
30	40	0.02	0.025	0.35	0.4	—	—	0.015	0.025	0.04
40	50	0.025	0.03	0.4	0.45	—	—	0.02	0.03	0.05
50	65	0.03	0.035	0.45	0.6	—	—	0.025	0.035	0.055
65	80	0.04	0.045	0.6	0.7	—	—	0.025	0.04	0.07
80	100	0.045	0.055	0.7	0.8	1.75	2.25	0.035	0.05	0.08
100	120	0.05	0.06	0.75	0.9	1.9	2.25	0.05	0.065	0.1
120	140	0.065	0.075	1.1	1.2	2.75	3	0.055	0.08	0.11
140	160	0.075	0.09	1.2	1.4	3	3.75	0.055	0.09	0.13
160	180	0.08	0.1	1.3	1.6	3.25	4	0.06	0.1	0.15
180	200	0.09	0.11	1.4	1.7	3.5	4.25	0.07	0.1	0.16
200	225	0.1	0.12	1.6	1.9	4	4.75	0.08	0.12	0.18
225	250	0.11	0.13	1.7	2	4.25	5	0.09	0.13	0.2
250	280	0.12	0.15	1.9	2.4	4.75	6	0.1	0.14	0.22
280	315	0.13	0.16	2	2.5	5	6.25	0.11	0.15	0.24
315	355	0.15	0.18	2.4	2.8	6	7	0.12	0.17	0.26
355	400	0.17	0.21	2.6	3.3	6.5	8.25	0.13	0.19	0.29
400	450	0.2	0.24	3.1	3.7	7.75	9.25	0.13	0.2	0.31
450	500	0.21	0.26	3.3	4	8.25	10	0.16	0.23	0.35
500	560	0.24	0.3	3.7	4.6	9.25	11.5	0.17	0.25	0.36
560	630	0.26	0.33	4	5.1	10	12.5	0.2	0.29	0.41
630	710	0.3	0.37	4.6	5.7	11.5	14.5	0.21	0.31	0.45
710	800	0.34	0.43	5.3	6.7	13.3	16.5	0.23	0.35	0.51
800	900	0.37	0.47	5.7	7.3	14.3	18.5	0.27	0.39	0.57
900	1,000	0.41	0.53	6.3	8.2	15.8	20.5	0.3	0.43	0.64
1,000	1,120	0.45	0.58	6.8	8.7	17	22.5	0.32	0.48	0.7
1,120	1,250	0.49	0.63	7.4	9.4	18.5	24.5	0.34	0.54	0.77

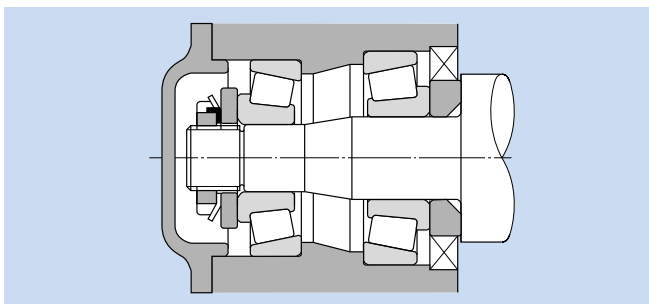


Fig. 15.12 Axial internal clearance adjustment

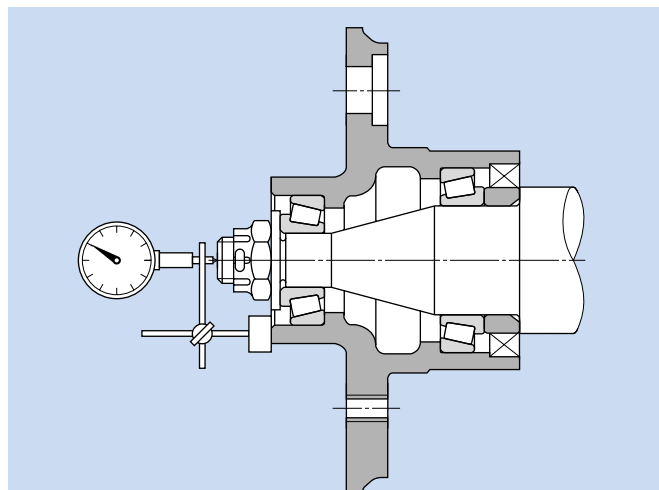


Fig. 15.13 Measurement of axial internal clearance adjustment

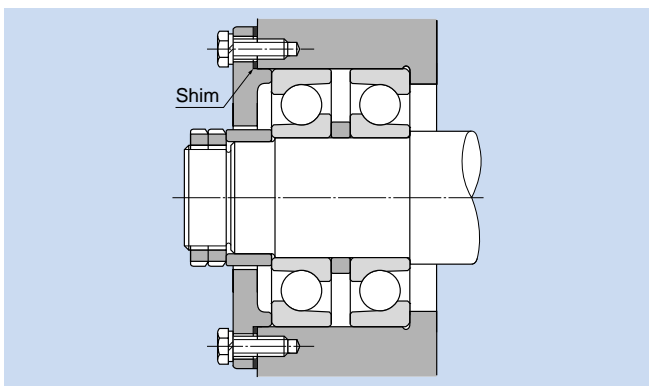


Fig. 15.14 Internal clearance adjustment using shims

15.4 Post installation running test

To insure that the bearing has been properly installed, a running test is performed after installation is completed. The shaft or housing is first rotated by hand and if no problems are observed a low speed, no load power test is performed. If no abnormalities are observed, **the load and speed are gradually increased to operating conditions.** During the test if any unusual noise, vibration, or temperature rise is observed the test should be stopped and the equipment examined. If necessary, the bearing should be disassembled for inspection.

To check bearing running noise, the sound can be amplified and the type of noise ascertained with a listening instrument placed against the housing. A clear, smooth and continuous running sound is normal. A high, metallic or irregular sound indicates some error in function. Vibration can be accurately checked with a vibration measuring instrument, and the amplitude and frequency characteristics measured against a fixed standard.

Usually the bearing temperature can be estimated from the housing surface temperature. However, if the bearing outer ring is accessible through oil inlets, etc., the temperature can be more accurately measured.

Under normal conditions, bearing temperature rises with rotation time and then reaches a stable operating temperature after a certain period of time. If the temperature does not level off and continues to rise, or if there is a sudden temperature rise, or if the temperature is unusually high, the bearing should be inspected.

15.5 Bearing disassembly

Bearings are often removed as part of periodic inspection procedures or during the replacement of other parts. However, the shaft and housing are almost always reinstalled, and in more than a few cases the bearings themselves are reused. These bearings, shafts, housings, and other related parts must be designed to prevent damage during disassembly procedures, and the proper disassembly tools must be employed. When removing inner and outer rings which have been installed with interference fits, **the dismantling force should be applied to that ring only and not applied to other parts of the bearing,** as this may cause internal damage to the bearing's raceway or rolling elements.

15.5.1 Disassembly of bearings with cylindrical bores

For small type bearings, the pullers shown in **Fig. 15.15 a) and b)** or the press method shown in **Fig. 15.16** can be used for disassembly. When used properly, these methods can improve disassembly efficiency and prevent damage to bearings.

To facilitate disassembly procedures, attention should be given to planning the designs of shafts and housings, such as providing extraction grooves on the shaft and housing for puller claws as shown **Figs. 15.17 and 15.18.** Threaded bolt holes should also be provided in housings to facilitate the pressing out of outer rings as shown in **Fig. 15.19.**

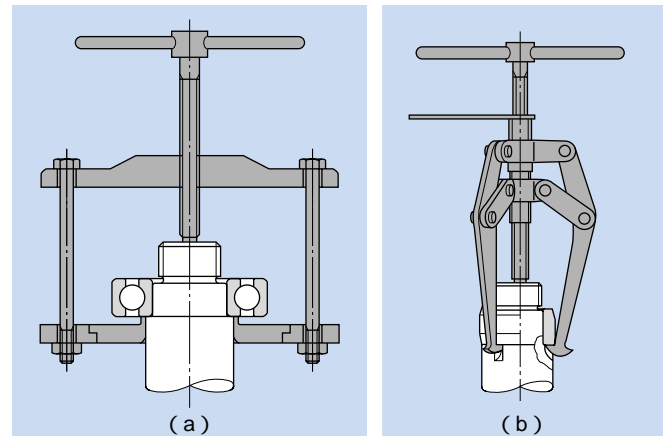


Fig. 15.15 Puller disassembly

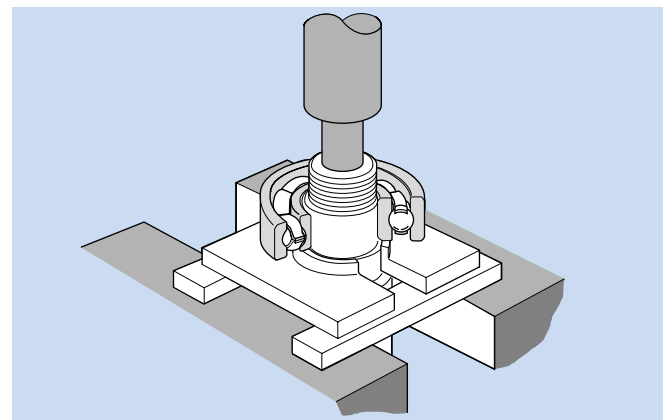


Fig. 15.16 Press disassembly

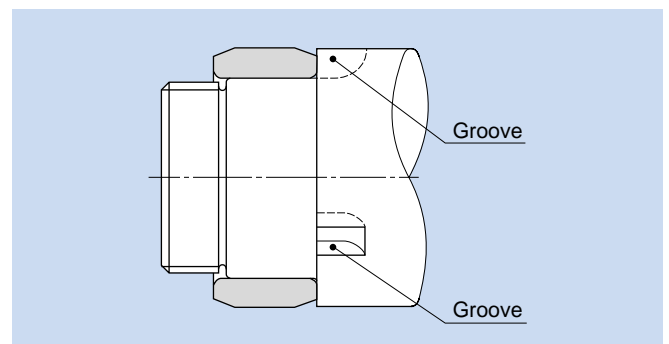


Fig. 15.17 Extracting grooves

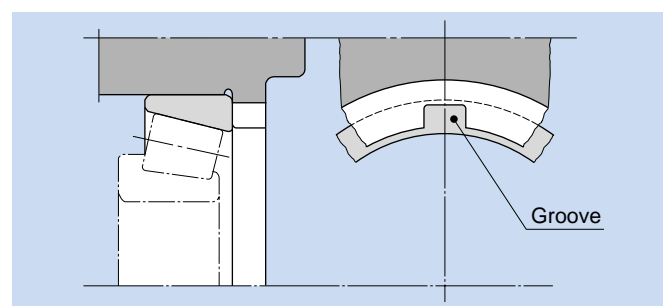


Fig. 15.18 Extraction groove for outer ring disassembly

Large bearings, installed with tight fits, and having been in service for a long period of time, will likely have developed fretting corrosion on fitted surfaces and will require considerable dismounting force. In such instances, dismounting friction can be reduced by injecting oil under high pressure between the shaft and inner ring surfaces as shown in **Fig. 15.20**.

For NU, NJ and NUP type cylindrical roller bearings, the induction heating method shown in **Fig. 15.6** can also be used for easier disassembly of the inner ring. This method is highly efficient for frequent disassembly of bearings with identical dimensions.

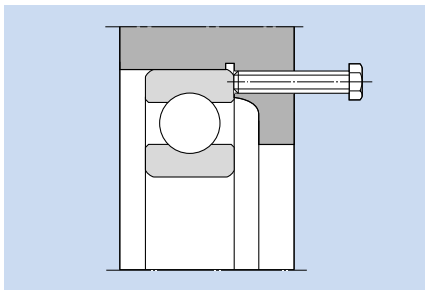


Fig. 15.19 Outer ring disassembly bolt

15.5.2 Disassembly of bearings with tapered bores

Small type bearings with adapters can be easily disassembled by loosening the locknut and driving the inner ring off with a metal block as shown in **Fig. 15.21**. Bearings which have been installed with withdrawal sleeves can be disassembled by tightening down the lock nut as shown in **Fig. 15.22**.

For large type bearings on tapered shafts, adapters, or withdrawal sleeves, disassembly is greatly facilitated by hydraulic methods. **Fig. 15.23** shows one method of hydraulic injection disassembly in which high pressure oil is injected between the fitted surfaces of the tapered shaft and bearing.

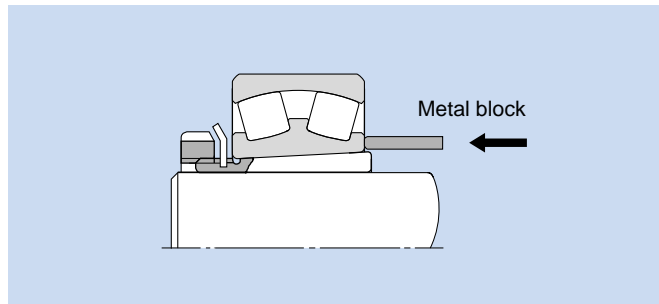


Fig. 15.21 Disassembly of bearing with adapter

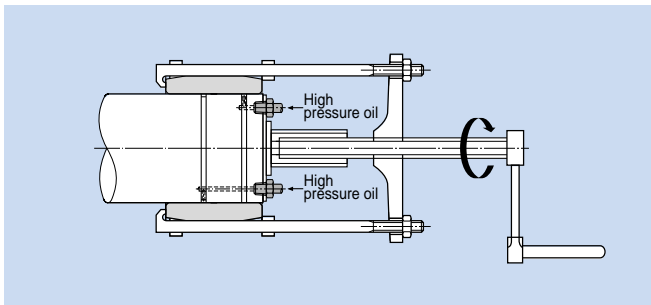


Fig. 15.20 Disassembly using high pressure oil (hydraulic)

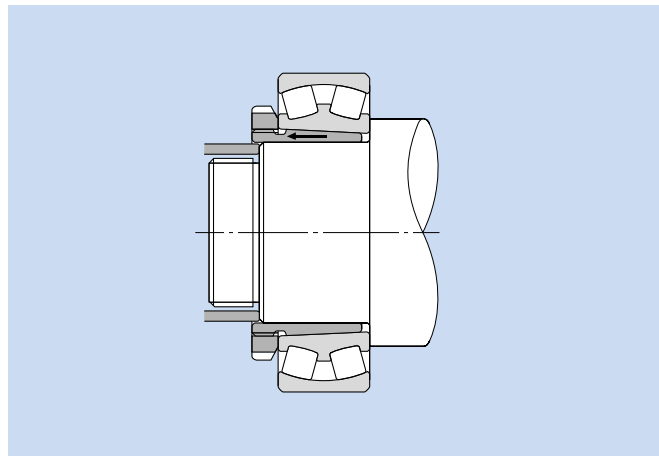


Fig. 15.22 Disassembly of bearing with withdrawal sleeve

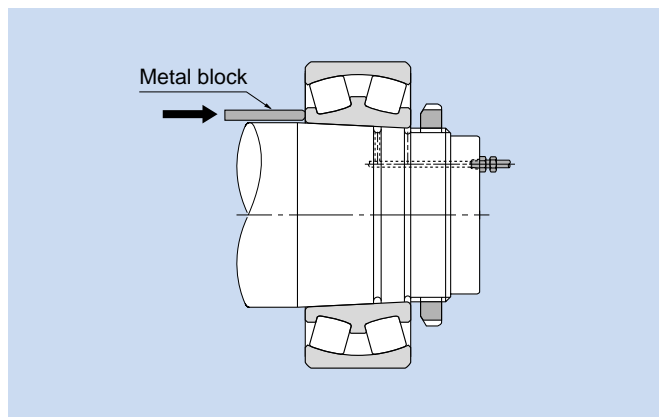


Fig. 15.23 Disassembly using high pressure oil (hydraulic)

Fig. 15.24 shows two methods of disassembling bearings with adapters or withdrawal sleeves using a hydraulic nut. **Fig. 15.25** shows a disassembly method using a hydraulic withdrawal sleeve where high pressure oil is injected between fitted surfaces and a nut is then employed to extract the sleeve.

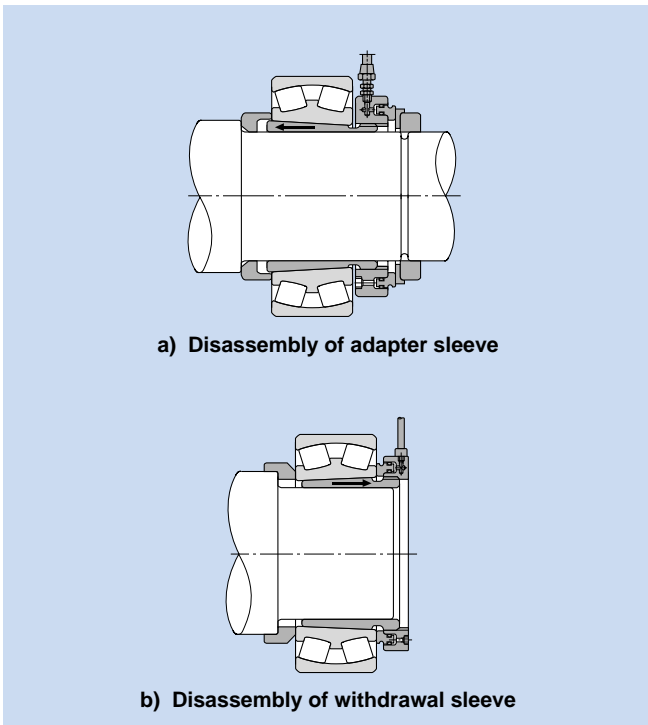


fig. 15.24 Disassembly using hydraulic nut

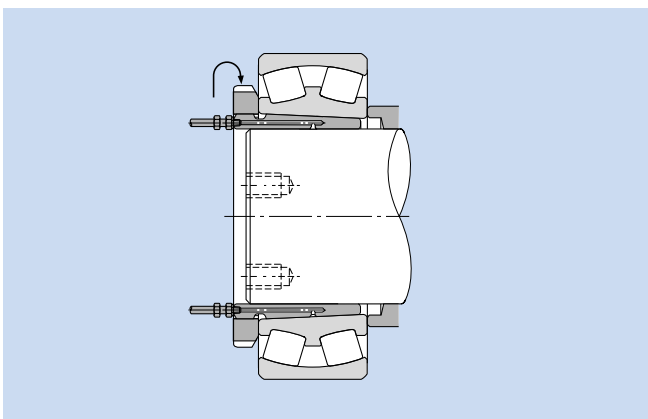


Fig. 15.25 Extraction using hydraulic withdrawal sleeve

16. Bearing Damage and Corrective Measures

While it is of course impossible to directly observe bearings in operation, one can get a good idea of how they are operating by monitoring noise, vibration, temperature

and lubricant condition. Types of damage typically encountered are presented in **Table 16.1**.

Table 16.1 Bearing damage and corrective measures

Description		Causes	Correction
<p>Flaking</p>  <p>The surface of the race way wearing away.</p> <p>Conspicuous hills and valleys form soon afterward.</p>	<ul style="list-style-type: none"> Excessive loads or improper handling. Improper mounting. Improper precision in the shaft or housing. Insufficient clearance. Contamination. Rust. Drop in hardness due to abnormally high temperatures. 	<ul style="list-style-type: none"> Review application conditions. Select a different type of bearing. Reevaluate the clearance. Improve the precision of the shaft and housing. Reevaluate the layout (design) of the area around the bearing. Review assembly procedures. Review lubricant type and lubrication methods. 	
<p>Seizure</p>  <p>The bearing heats up and becomes discolored. Eventually the bearing will seize up.</p>	<ul style="list-style-type: none"> Insufficient clearance (including clearances made smaller by local deformation). Insufficient lubrication or improper lubricant. Excessive loads (excessive pressure). Skewed rollers. 	<ul style="list-style-type: none"> Check for proper clearance. (Increase clearances.) Riview lubricant type and quantity. Review application conditions. Take steps to prevent misalignment. Reevaluate the design of the area around the bearing (including fitting of the bearing). Improve assembly procedures. 	
<p>Cracking and notching</p>  <p>Localized flaking occurs. Little cracks or notches appear.</p>	<ul style="list-style-type: none"> Excessive shock loads. Excessive interference. Large flaking. Friction cracking. Inadequate abutment or chamfer. Improper handling. (gouges from large foreign objects.) 	<ul style="list-style-type: none"> Review application conditions. Select proper interference and review materials. Improve assembly procedures and take more care in handling. Take measures to prevent friction cracking. (Review lubricant type.) Reevaluate the design of the area around the bearing. 	
<p>Retainer damage</p>  <p>Rivets break or become loose resulting in retainer damage.</p>	<ul style="list-style-type: none"> Excessive moment loading. High speed or excessive speed fluctuations. Inadequate lubrication. Impact with foreign objects. Excessive vibration. Improper mounting. (Mounted misaligned) Abnormal temperature rise. (Plastic retainers) 	<ul style="list-style-type: none"> Review of application conditions. Reevaluation of lubrication conditions. Review of retainer type selection. Take more care in handling. Investigate shaft and housing rigidity. 	
<p>Meandering wear patterns</p>  <p>Abrasion or an irregular, meandering wear pattern left by rolling elements along raceway surfaces.</p>	<ul style="list-style-type: none"> Shaft or housing of insufficient accuracy. Improper installation - Insufficient shaft or housing rigidity. Shaft whirling caused by excessive internal bearing clearances. 	<ul style="list-style-type: none"> Reinspect bearing's internal clearances. Review accuracy of shaft and housing finish. Review rigidity of shaft and housing. 	
<p>Smearing and scuffing</p>  <p>The surface becomes rough and some small deposits form.</p> <p>Scuffing generally refers to roughness on the race collar and the ends of the rollers.</p>	<ul style="list-style-type: none"> Inadequate lubrication. Entrapped foreign particles. Roller skewing due to a misaligned bearing. Bare spots in the collar oil film due to large axial loading. Surface roughness. Excessive slippage of the rolling elements. 	<ul style="list-style-type: none"> Reevaluation of the lubricant type and lubrication method. Review of operating conditions. Setting of a suitable pre-load. Improve sealing performance. Take care to handle the bearing properly. 	
<p>Rust and corrosion</p>  <p>The surface becomes either partially or fully rusted, and occasionally rust even occurs along the rolling element pitch lines.</p>	<ul style="list-style-type: none"> Poor storage conditions. Poor packaging. Insufficient rust inhibitor. Penetration by water, acid, etc. Handling with bare hands. 	<ul style="list-style-type: none"> Take measures to prevent rusting while in storage. Improve sealing performance. Periodically inspect the lubricating oil. Take care when handling the bearing. 	

Table 16.1 Bearing damage and corrective measures

Description		Causes	Correction
<p>Fretting</p>  <p>There are two types of fretting. In one, a rusty wear powder forms on the mating surfaces. In the other, brinelling indentations form on the raceway at the rolling element pitch.</p>	<ul style="list-style-type: none"> ● Insufficient interference. ● Small bearing oscillation angle. ● Insufficient lubrication. ● Fluctuating loads. ● Vibration during transport. 	<ul style="list-style-type: none"> ● Review the interference and apply a coat of lubricant. ● Pack the inner and outer rings separately for transport. ● When the two cannot be separated, apply a pre-load. ● Select a different kind of lubricant. ● Select a different type of bearing. 	
<p>Wear</p>  <p>The surfaces wear and dimensional deformation results. Wear is often accompanied by roughness and scratches.</p>	<ul style="list-style-type: none"> ● Entrapment of foreign particles in the lubricant. ● Inadequate lubrication. ● Skewed rollers. 	<ul style="list-style-type: none"> ● Review lubricant type and lubrication methods. ● Improve sealing performance. ● Take steps to prevent misalignment. 	
<p>Electrolytic corrosion</p>  <p>Pits form on the raceway. The pits gradually grow into ripples.</p>	<ul style="list-style-type: none"> ● Electric current flowing through the rollers. 	<ul style="list-style-type: none"> ● Create a bypass circuit for the current. ● Insulate the bearing so that current does not pass through it. 	
<p>Dents and scratches</p>  <p>Scoring during assembly, gouges due to hard foreign objects, and surface denting due to mechanical</p>	<ul style="list-style-type: none"> ● Entrapment of foreign objects. ● Bite-in on the flaked-off side. ● Dropping or other mechanical shocks due to careless handling. ● Assembled misaligned. 	<ul style="list-style-type: none"> ● Improve handling and assembly methods. ● Take measures to prevent the entrapment of foreign objects. ● Should the damage have been caused by little pieces of metal, thoroughly check all other locations. 	
<p>Slipping or creeping</p>  <p>Slipping is accompanied by mirrorlike or discolored surfaces on the ID and OD. Scuffing may also occur.</p>	<ul style="list-style-type: none"> ● Insufficient interference in the mating section. ● Sleeve not fastened down properly. ● Abnormal temperature rise. ● Excessive loads. 	<ul style="list-style-type: none"> ● Reevaluate the interference. ● Reevaluate usage conditions. ● Review the precision of the shaft and housing. 	
<p>Surface matting</p>  <p>Luster of raceway surfaces is gone; surface is matted, rough, and / or evenly dimpled. Surface covered with minute dents.</p>	<ul style="list-style-type: none"> ● Infiltration of bearing by foreign matter. ● Insufficient lubrication. 	<ul style="list-style-type: none"> ● Reevaluation of lubricant type and lubrication method. ● Review sealing mechanisms. ● Examine lubrication oil purity. (filter may be excessively dirty, etc.) 	
<p>Peeling</p>  <p>Patches of minute flaking or peeling (size, approx. 10 μm). Innumerable hair-line cracks visible though not yet peeling. (This type of damage frequently seen on roller bearings.)</p>	<ul style="list-style-type: none"> ● Infiltration of bearing by foreign matter. ● Insufficient lubrication. 	<ul style="list-style-type: none"> ● Reevaluation of lubricant type and lubrication method. ● Improve sealing performance. (to prevent infiltration of foreign matter) ● Take care to operate smoothly. 	

17. Technical data

17.1 Deep groove ball bearing radial internal clearances and axial internal clearances

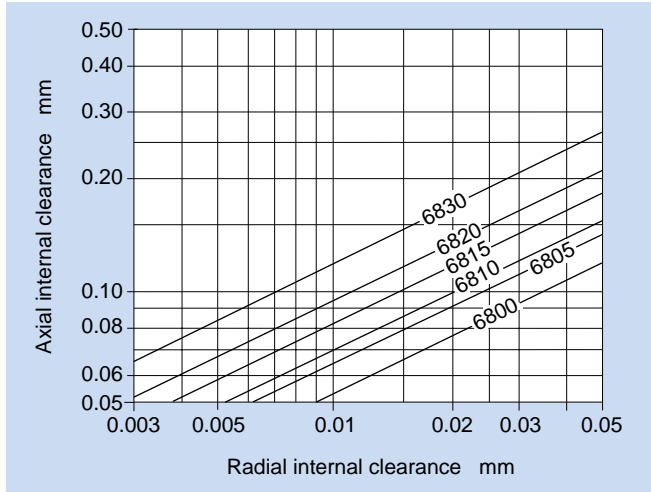


Fig. 17.1.1 Series 68 radial internal/axial internal clearances

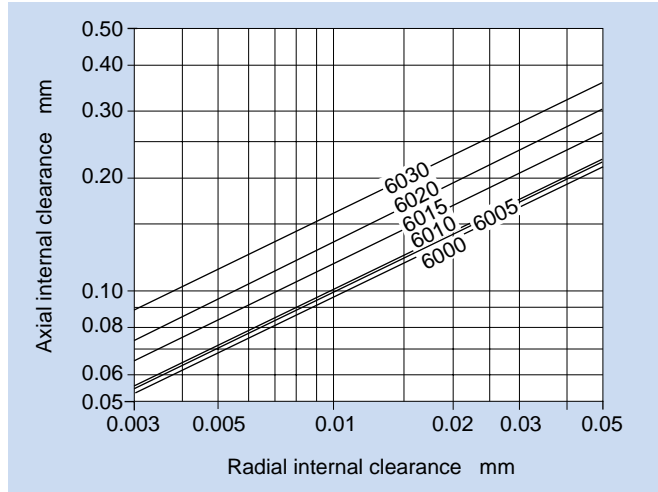


Fig. 17.1.3 Series 60 radial internal/axial internal clearances

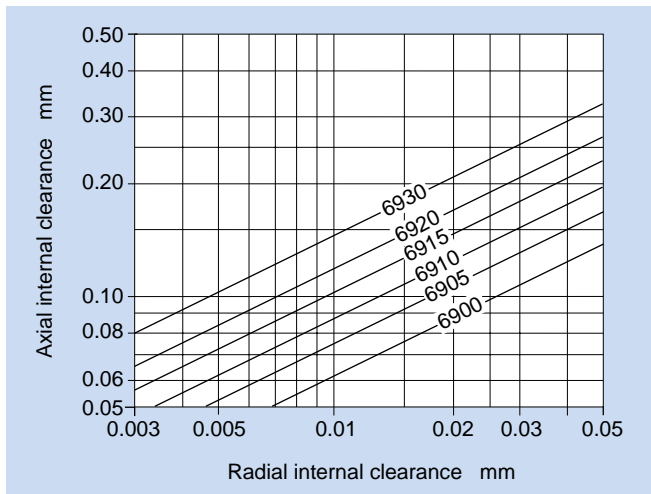


Fig. 17.1.2 Series 69 radial internal/axial internal clearances

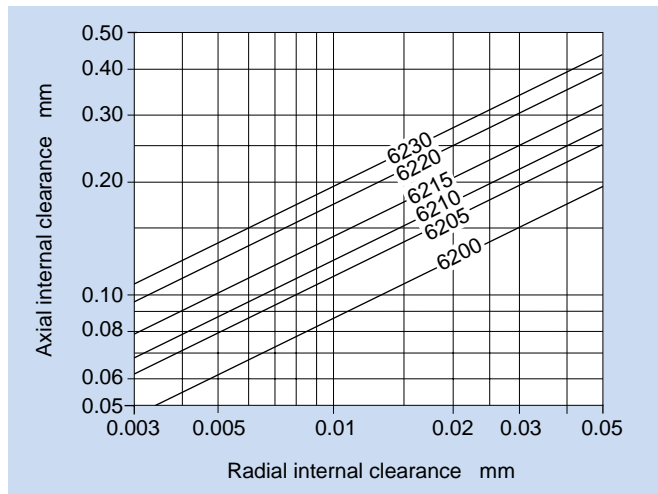


Fig. 17.1.4 Series 62 radial internal/axial internal clearances

17.2 Angular contact ball bearing axial load and axial displacement

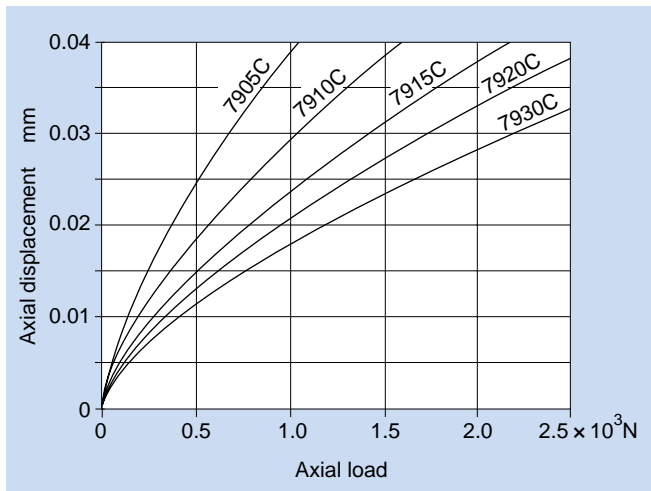


Fig. 17.2.1 Series 79 C axial load and axial displacement

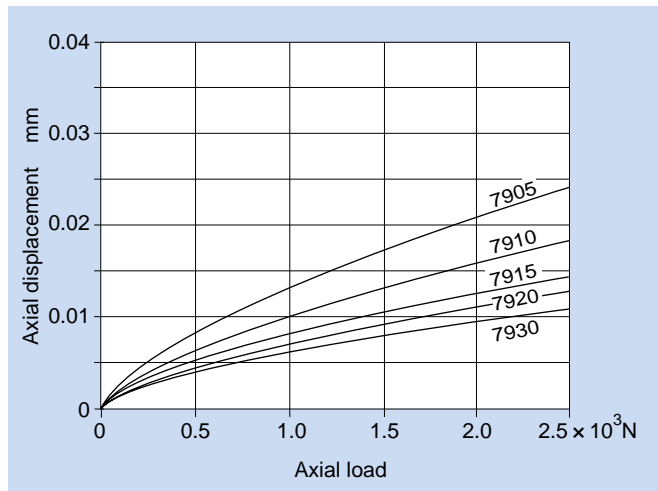


Fig. 17.2.2 Series 79 axial load and axial displacement

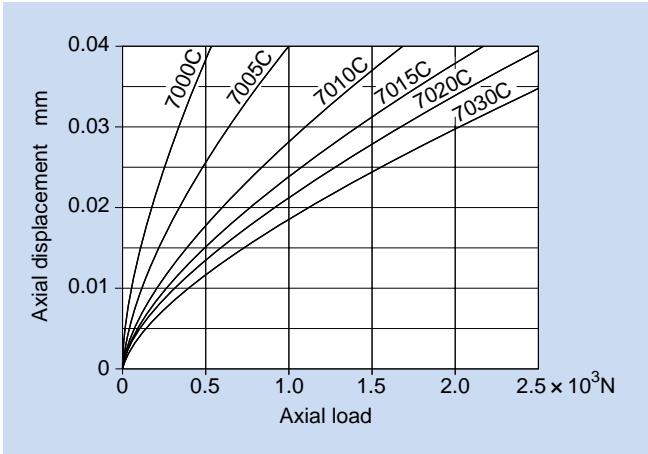


Fig. 17.2.3 Series 70 C axial load and axial displacement

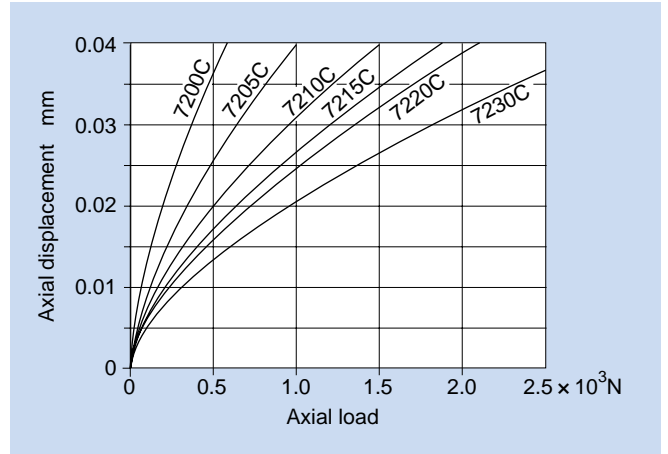


Fig. 17.2.6 Series 72 C axial load and axial displacement

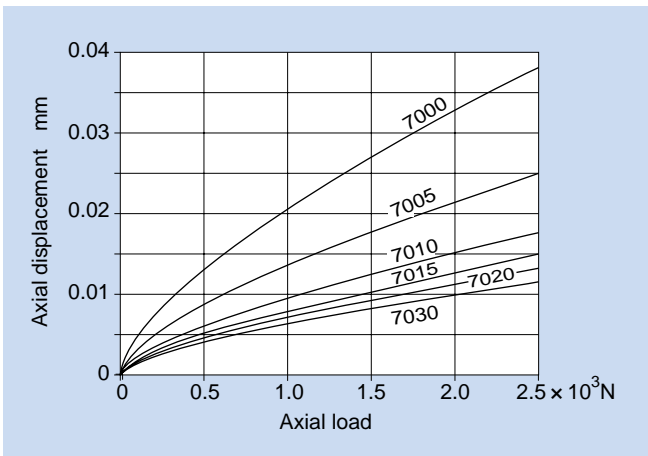


Fig. 17.2.4 Series 70 axial load and axial displacement

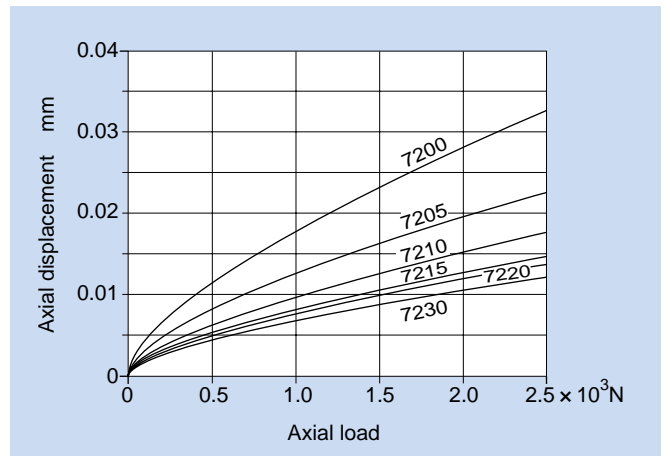


Fig. 17.2.7 Series 72 axial load and axial displacement

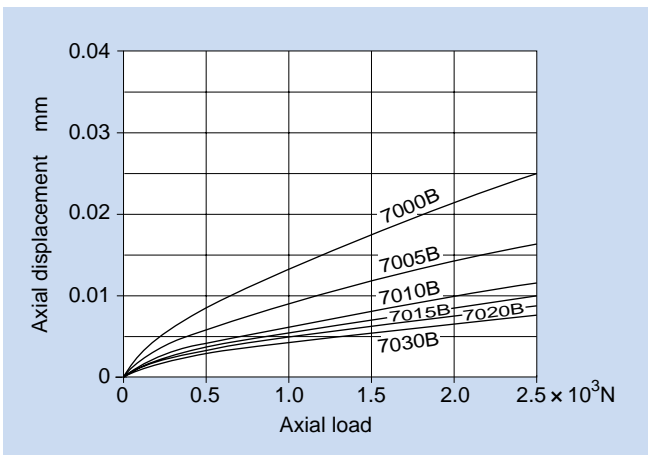


Fig. 17.2.5 Series 70 B axial load and axial displacement

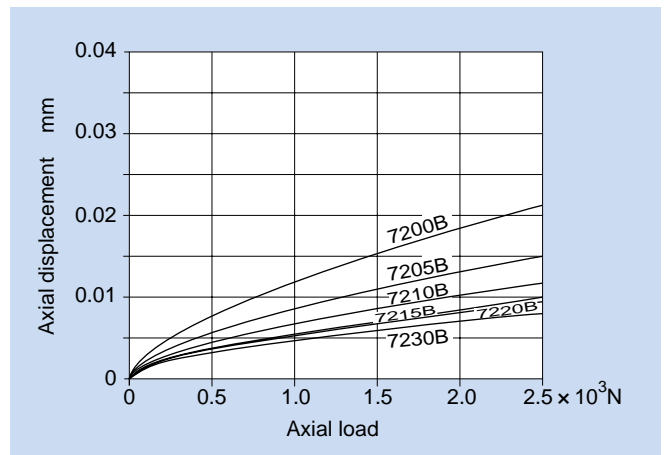


Fig. 17.2.8 Series 72 B axial load and axial displacement

17.3 Tapered roller bearing axial load and axial displacement

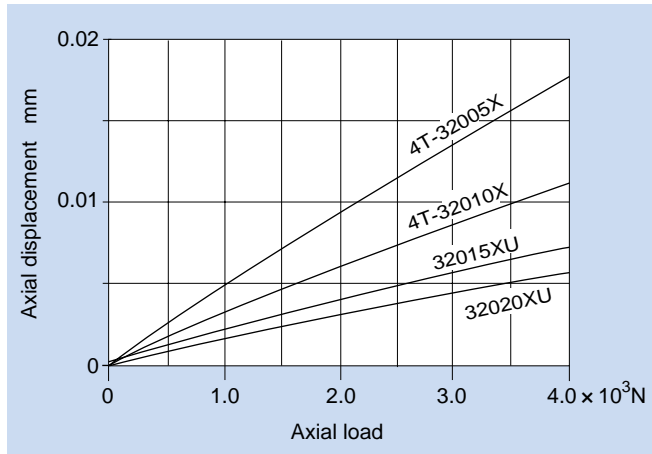


Fig. 17.3.1 Series 320 axial load and axial displacement

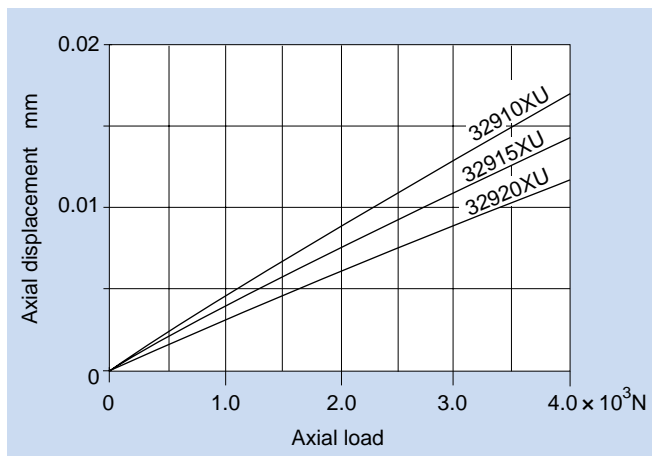


Fig. 17.3.2 Series 329 axial load and axial displacement

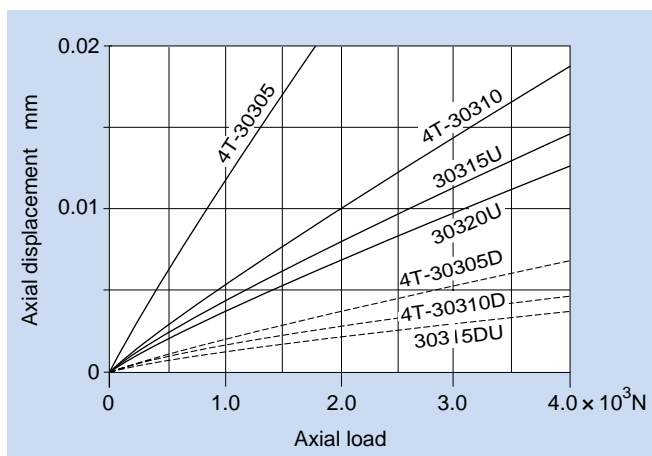


Fig. 17.3.3 Series 303/303 D axial load and axial displacement

17.4 Fitting surface pressure

Table 17.4.1 lists equations for calculating the pressure and maximum allowable stress between fitting surfaces.

Table 17.4.2 can be used to determine the approximate average groove diameter for bearing inner and outer rings.

The effective interference, in other words the actual interference after fitting, is smaller than the apparent

interference derived from the measured value for the bearing bore diameter and shaft. This difference is due to the roughness or variations of the finished surfaces to be fitted, and therefore it is necessary to assume the following reductions in effective interference:

- For ground shafts: 1.0 ~ 2.5 μm
- For lathed shafts : 5.0 ~ 7.0 μm

Table 17.4.1 Fitted surface pressure and maximum allowable stress

Fit conditions		Equation	Codes (units: N{ kgf }, mm)
Fitted surface pressure	Solid steel shaft/ inner ring fit	$P = \frac{E}{2} \frac{\Delta_{i\text{eff}}}{d} \left[1 - \left(\frac{d}{D_i} \right)^2 \right]$	d : Shaft diameter, inner ring bore diameter d_o : Hollow shaft inner diameter D_i : Inner ring average groove diameter $\Delta_{i\text{eff}}$: Effective interference E : Elasticity factor = 208,000 MPa { 21,200 kgf / mm ² }
	Hollow steel shaft/ inner ring fit	$P = \frac{E}{2} \frac{\Delta_{i\text{eff}}}{\Delta_{i1}} \frac{[1 - (d / D_i)^2] [1 - (d_o / d)^2]}{[1 - (d_o / D_i)^2]}$	
MPa { kgf / mm ² }	Steel housing/ outer ring fit	$P = \frac{E}{2} \frac{\Delta_{o\text{eff}}}{D} \frac{[1 - (D_o / D)^2] [1 - (D / D_i)^2]}{[1 - (D_o / D_i)^2]}$	D : Housing inner diameter, bearing outer diameter D_o : Outer ring average groove diameter D_h : Housing outer diameter $\Delta_{o\text{eff}}$: Effective interference
Maximum allowable stress	Shaft / inner ring fit	$\sigma_{\text{max}} = P \frac{1 + (d / D_i)^2}{1 - (d / D_i)^2}$	Inner ring bore diameter face maximum allowable stress
MPa { kgf / mm ² }	Housing/ outer ring fit	$\sigma_{\text{max}} = P \frac{2}{1 - (D_o / D)^2}$	Outer ring inner diameter face maximum allowable stress

Table 17.4.2 Average groove diameter

Bearing type		Average groove diameter	
		Inner ring (D_i)	Outer ring (D_o)
Deep groove ball bearings	All types	1.05 $\frac{4d + D}{5}$	0.95 $\frac{d + 4D}{5}$
Cylindrical roller bearings	All types	1.05 $\frac{3d + D}{4}$	0.98 $\frac{d + 3D}{4}$
Spherical roller bearings	All types	$\frac{2d + D}{3}$	0.97 $\frac{d + 4D}{5}$

d : Inner ring bore diameter mm D : Outer ring outer diameter mm

① Average groove diameter values shown for double rib type.

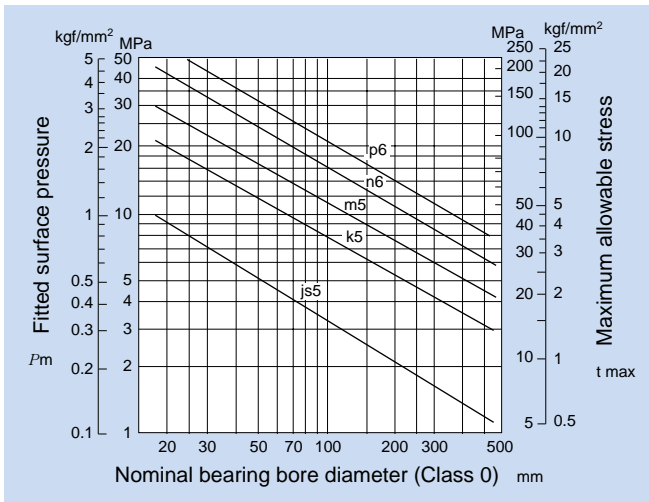


Fig. 17.4.1 Average fit interference as it relates to surface pressure and max. allowable stress

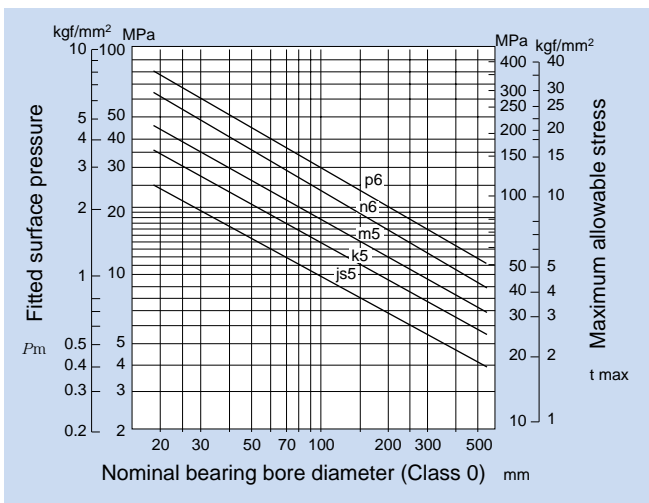


Fig. 17.4.2 Maximum fit interference as it relates to surface pressure and max. allowable stress

17.5 Necessary press fit and pullout force

Equations (7.1) and (7.2) below can be used to calculate the necessary pullout force for press fit for inner rings and shafts or outer rings and housings.

For shaft and inner rings:

$$K_d = \mu \cdot P \cdot d \cdot B \dots\dots\dots(7.1)$$

$$K_D = \mu \cdot P \cdot D \cdot B \dots\dots\dots(7.2)$$

Where,

K_d : Inner ring press fit or pullout force N { kgf }

K_D : Outer ring press fit or pullout force N { kgf }

P : Fitted surface pressure MPa { kgf/mm² }

(Refer to **Table 17.4.1**)

d : Shaft diameter, inner ring bore diameter mm

D : Housing inner diameter, outer ring outer diameter mm

B : Inner or outer ring width

μ : Sliding friction coefficient (Refer to **Table 17.5.1**)

Table 17.5.1 Press fit and pullout sliding friction coefficient

Type	μ
Inner (outer) ring press fit onto cylindrical shaft (bore)	0.12
Inner (outer) ring pullout from cylindrical shaft (bore)	0.18
Inner ring press fit onto tapered shaft or sleeve	0.17
Inner ring pullout from tapered shaft	0.14
Sleeve press fit onto shaft/bearing	0.30
Sleeve pullout from shaft/bearing	0.33

Ball and Roller Bearings



INDEX OF BEARING TABLES

Deep Groove Ball Bearings	B-5
Deep groove ball bearings 67,68,69,160,60,62,63,64	B-8
Expansion compensating bearings EC-60,EC-62,EC-63.....	B-26
Miniature and Extra Small Ball Bearings	B-29
Metric system sizes 67,68,69,60,62,63,BC	B-32
Inch system sizes R,RA	B-36
With ring grooves, snap rings SC	B-38
Angular Contact Ball Bearings	B-41
Single and duplex arrangements 79,70,72,72B,73,73B	B-44
High speed single and duplex arrangements 78C,79C,70C,72C,73C	B-56
Ultra-high speed angular contact ball bearings BNT0,BNT2,HSB9C,HSB0C	B-64
Ceramic ball angular contact ball bearings 5S-BNT,5S-HSB	B-68
Four-point contact ball bearings QJ2,QJ3	B-70
Double row angular contact ball bearings 52,53	B-72
Self-Aligning Ball Bearings	B-77
12(K), 22(K), 13(K), 23(K)	B-78
Adapters for self-aligning ball bearings	B-84
Cylindrical Roller Bearings	B-89
NU,NJ,NUP,N,NF10,2,22,3,23,4	B-92
L type loose rib HJ2,22,3,23,4	B-110
Multi-row cylindrical roller bearings NN49(K),NNU49(K),NN30(K),NNU30(K)	B-114
Four-row cylindrical roller bearings 4R	B-120

Tapered Roller Bearings B-131

Metric system sizes

329X,320X,330,331,302,322,322C,332,303,303D,313X,323,323C B-138

Inch system sizes B-156

Multi-row tapered roller bearings (outward facing type)

4130,4230,4131,4231,4302,4322,4303,4303D,4323 B-194

Multi-row tapered roller bearings (inward facing type) 3230,3231 B-208

Four-row tapered roller bearings CR0 B-212

Spherical Roller Bearings B-229

239(K),230(K),240(K30),231(K),241(K30),222(K),232(K),213(K),223(K) B-232

Adapters for spherical roller bearings B-252

Withdrawal sleeves for spherical roller bearings B-257

Thrust Bearings B-265

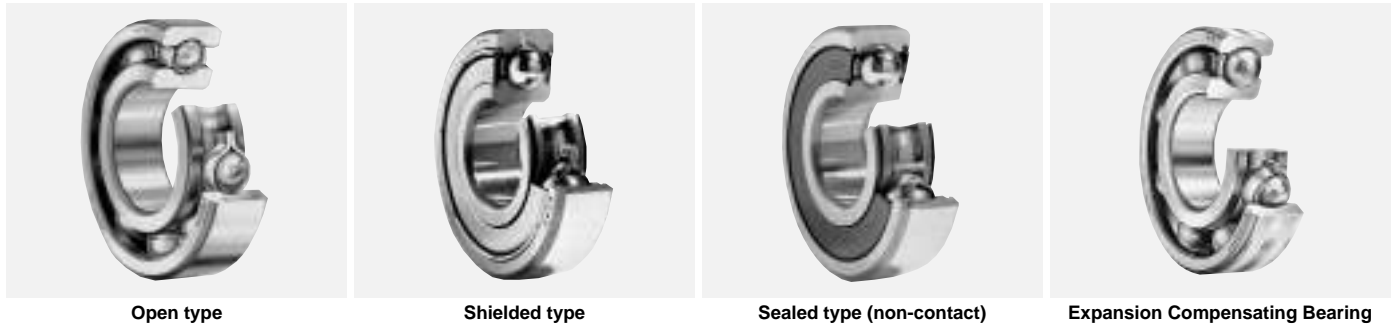
Single direction type 511,512,513,514 B-270

Double row angular contact thrust ball bearings 5629(M),5620(M) B-274

High speed duplex angular contact thrust ball bearings HTA9DB,HTA0DB B-278

Self-aligning roller thrust bearings 292,293,294 B-282





1. Design features and special characteristics

Deep groove ball bearings are very widely used. A deep groove is formed on each inner and outer ring of the bearing enabling them to sustain radial and axial loads in either direction as well as the complex loads which result from the combination of these forces. Deep groove ball bearings are suitable for high speed applications.

In addition to the open type, deep groove ball bearings come in a number of varieties, including prelubricated bearings, bearings with one or both sides sealed or shielded, bearings with snap rings and high capacity specification, etc.

Table 1 shows the construction and special characteristics of various sealed deep groove ball bearings.

Table 1 Sealed ball bearings: construction and characteristics

Type, code no.	Shielded type	Sealed type			
	Non-contact type ZZ	Non-contact type LLB	Contact type LLU	Low torque type LLH	
Construction					
	<ul style="list-style-type: none"> • Metal shield plate is affixed to outside ring; inner ring incorporates a V-groove and labyrinth clearance. 	<ul style="list-style-type: none"> • Outer ring incorporates synthetic rubber molded to a steel plate; seal edge is aligned with V-groove along inner ring surface with labyrinth clearance. 	<ul style="list-style-type: none"> • Outer ring incorporates synthetic rubber molded to a steel plate; seal edge contacts V-groove along inner ring surface. 	<ul style="list-style-type: none"> • Basic construction the same as LU type, but specially designed lip on edge of seal prevents penetration by foreign matter; low torque construction. 	
Performance comparison	Torque	Low	Low	Rather high	Medium
	Dust proofing	Very good	Better than ZZ-type	Excellent	Much better than LLB-type
	Water proofing	Poor	Poor	Very good	Very good
	High speed capacity	Same as open type	Same as open type	Limited by contact seals	Much better than LLU-type
	Allowable temp.range ①	Depends on lubricant	-25 ~ 120	-25 ~ 110	-25 ~ 120

① Please consult NTN Engineering about applications which exceed the allowable temperature range of products listed on this table.
 Note : This chart lists double shielded and double sealed bearings, but single shielded (Z) and single sealed (LB, LU, LH) are also available.
 Grease lubrication should be used with single shielded and single sealed bearings.

2. Standard cage types

As shown in **Table 2**, pressed cages are generally used in deep groove ball bearings. However, machined cages are also used in larger sized bearings designed for high speed applications.

Table 2 Standard cages for deep groove ball bearings

Bearing series	Pressed cage	Machined cage
67	6700 ~ 6706	
68	6800 ~ 6834	6836 ~ 68 / 600
69	6900 ~ 6934	6936 ~ 69 / 500
160	16001 ~ 16052	16056 ~ 16072
60	6000 ~ 6052	6056 ~ 6084
62	6200 ~ 6244	
63	6300 ~ 6344	
64	6403 ~ 6416	

3. Other bearing types

3.1 Bearings with snap rings

Some bearings accommodate a snap ring which is attached along the outer diameter of the outer ring. By using snap rings, positioning in the axial direction is possible and housing installation is simplified. In addition to open type, shielded and sealed types are also manufactured. Consult NTN Engineering.

3.2 Expansion compensating bearings

Expansion compensating bearings have the same boundary dimensions as standard bearings, except that a high polymer material with a large coefficient of thermal expansion has been inserted along the outer circumference of the outer ring.

Due to the extremely small difference of thermal expansion attained between the fitted surfaces of the high polymer

equipped outer ring and the light alloy bearing housing, a good interference fit can be achieved with stable performance across a wide temperature range. Another advantage is a large reduction in the occurrence of outer ring creeping.

(1) Allowable load

Maximum allowable load C_p (refer to the table of boundary dimensions) has been determined in accordance with outer ring strength; therefore, it is necessary to select a bearing with a maximum allowable load greater than the largest anticipated bearing load.

(2) Housing and bearing fit

Table 3 shows the recommended fits for bearings with light metal alloy housings.

In cases where the bearing is going to be interference fit with the housing, it is very important not to damage the high polymer material. Therefore it is essential that the lip of the housing diameter be given a 10° – 15° chamfer as shown in **Diagram 2**.

Furthermore, as shown in **Diagram 2**, it is also advisable to apply the interference fit using a press in order not force the

Table 3 Recommended fits for outer ring and housing bore

Load type, etc.	Housing material	Suitable bearing	Housing bore tolerance class
Rotating outer ring load Rotating inner ring load; light load Direction indeterminate load; ordinary load	Al alloy Mg alloy Other light alloys	Deep groove ball bearing Cylindrical roller bearing	H6
Rotating outer ring load; heavy load Direction indeterminate load; shock load	Al alloy Mg alloy Other light alloys	Thick-walled type deep groove ball bearing	N6

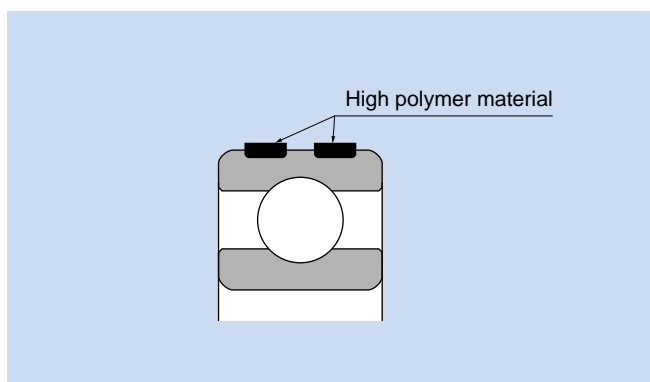


Diagram 1. Expansion compensating bearings

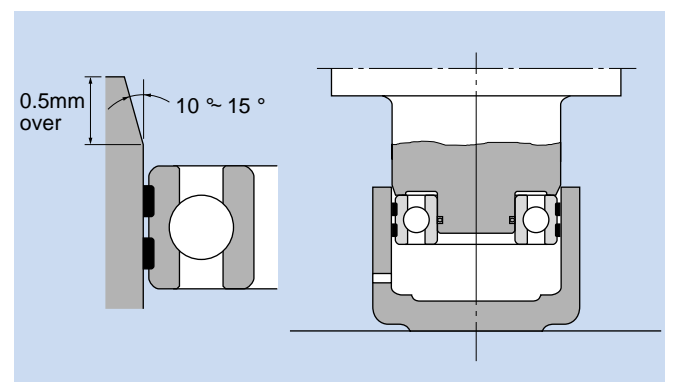


Diagram 2. Fitting method and housing inner diameter chamfer

bearing into the housing in a misaligned position. (Diagram 2)

(3) Radial internal clearance

Regulations for radial internal clearance are the same as those for standard deep groove ball bearings. For standard fit and application conditions, a C3 clearance is used with this bearing.

For more detailed information concerning this bearing and the availability of roller bearings contact NTN Engineering.

3.3 TMB ball bearings

TMB ball bearings have the same boundary dimensions as standard deep groove ball bearings, but have undergone a special heat treatment that considerably extends wear life.

These bearings are especially effective in countering reduced wear life due to the effects of infiltration by dust and other foreign matter.

- TMB ball bearings' special characteristics are identical to standard bearings at rated loads, but with a bearing characterization factor of $a_2 = 2.2$
- TMB 62 series bearings can be used in place of standard 63 series bearings enabling lighter weight, more compact designs
- Greater resistance to reduced wear life due to infiltration by dust and other foreign matter

For dimensional specifications and other detailed information about TMB ball bearings, contact NTN Engineering.

3.4 AC bearings (creep prevention bearings)

AC bearings have the same boundary dimensions as standard bearings with the addition of two O-rings imbedded in the outside circumference of the outer ring. (Diagram 3)

This bearing has a steel housing, can withstand rotating outer ring loads, and is suitable for applications where a "tight fit" is not possible but the fear of creeping exists. With its capacity for axial load displacement, an AC bearing can also be installed as a floating side bearing to accommodate shaft fluctuations. Before installing the bearing into the housing, high viscosity oil (base oil viscosity, 100 mm²/s or more) or grease should be applied to the space between the two O-rings. This lubricant forms a thin oil layer inside the bearing which prevents contact between the outer ring and housing, lowers the coefficient of friction, and is still able to prevent creeping by utilizing the friction force of the O-rings.

For dimensional specifications, handling procedures, and other detailed information concerning AC bearings, contact NTN Engineering.

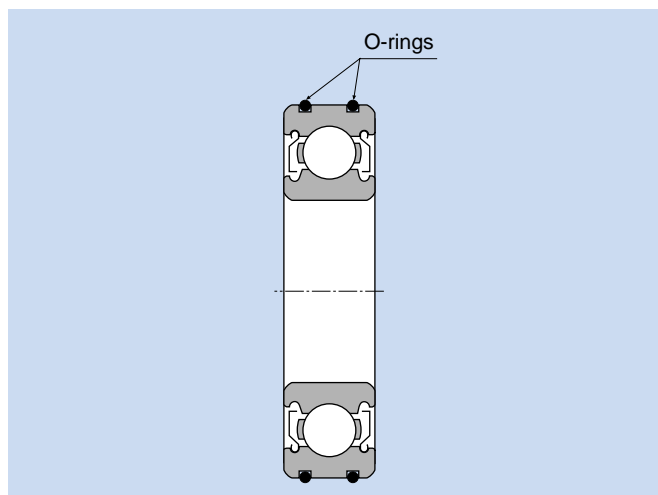
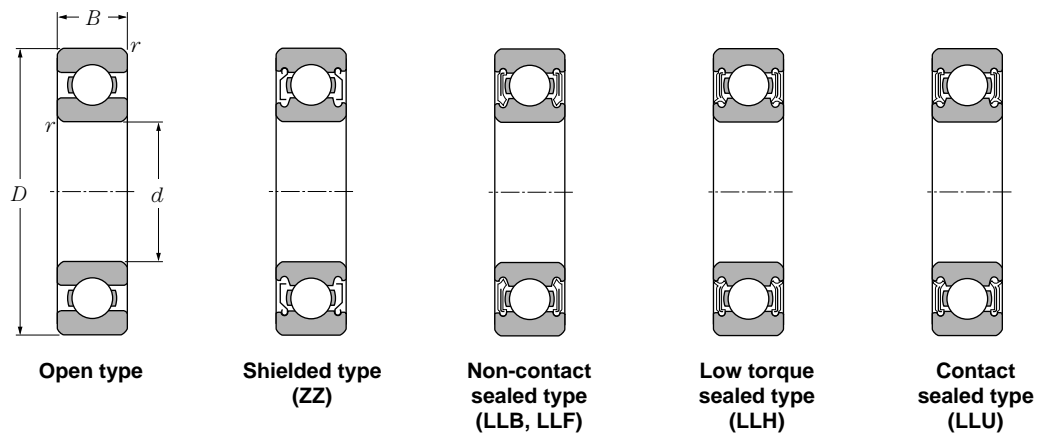


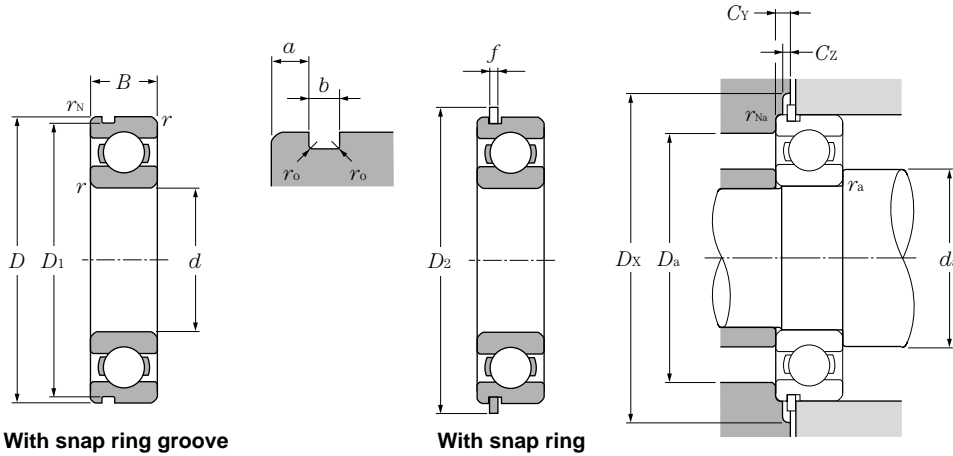
Diagram 3. AC bearing



d 10 ~ 20mm

d	Boundary dimensions				Basic load ratings				Limiting speeds				Bearing numbers				
	mm				dynamic		static		rpm				open type	sealed type	non-contact type	low torque type	contact type
	D	B	r _{s min}	r _{NS min}	C _r	C _{or}	C _r	C _{or}	grease open type ZZ	oil open type Z LB	LLH	LLU					
10	15	3	0.1		0.855	0.435	87	44	10,000	12,000			6700				
	19	5	0.3		1.83	0.925	187	94	32,000	38,000		24,000	6800	ZZ	LLB		LLU
	22	6	0.3	0.3	2.7	1.27	275	129	30,000	36,000		21,000	6900	ZZ	LLB		LLU
	26	8	0.3		4.55	1.96	465	200	29,000	34,000	25,000	21,000	6000	ZZ	LLB	LLH	LLU
	30	9	0.6	0.5	5.10	2.39	520	244	25,000	30,000	21,000	18,000	6200	ZZ	LLB	LLH	LLU
	35	11	0.6	0.5	8.20	3.50	835	355	23,000	27,000	20,000	16,000	6300	ZZ	LLB	LLH	LLU
12	18	4	0.2		0.930	0.530	95	54	8,300	9,500			6701		LLF		
	21	5	0.3		1.92	1.04	195	106	29,000	35,000		20,000	6801	ZZ	LLB		LLU
	24	6	0.3	0.3	2.89	1.46	295	149	27,000	32,000		19,000	6901	ZZ	LLB		LLU
	28	7	0.3		5.10	2.39	520	244	26,000	30,000			16001				
	28	8	0.3		5.10	2.39	520	244	26,000	30,000	21,000	18,000	6001	ZZ	LLB	LLH	LLU
	32	10	0.6	0.5	6.10	2.75	620	280	22,000	26,000	20,000	16,000	6201	ZZ	LLB	LLH	LLU
	37	12	1	0.5	9.70	4.20	990	425	20,000	24,000	19,000	15,000	6301	ZZ	LLB	LLH	LLU
15	21	4	0.2		0.940	0.585	96	59	6,600	7,600			6702		LLF		
	24	5	0.3		2.08	1.26	212	128	26,000	31,000		17,000	6802	ZZ	LLB		LLU
	28	7	0.3	0.3	3.65	2.00	375	204	24,000	28,000		16,000	6902	ZZ	LLB		LLU
	32	8	0.3		5.60	2.83	570	289	22,000	26,000			16002				
	32	9	0.3	0.3	5.60	2.83	570	289	22,000	26,000	18,000	15,000	6002	ZZ	LLB	LLH	LLU
	35	11	0.6	0.5	7.75	3.60	790	365	19,000	23,000	18,000	15,000	6202	ZZ	LLB	LLH	LLU
	42	13	1	0.5	11.4	5.45	1,170	555	17,000	21,000	15,000	12,000	6302	ZZ	LLB	LLH	LLU
17	23	4	0.2		1.00	0.660	102	67	5,000	6,700			6703		LLF		
	26	5	0.3		2.23	1.46	227	149	24,000	28,000		15,000	6803	ZZ	LLB		LLU
	30	7	0.3	0.3	4.65	2.58	475	263	22,000	26,000		14,000	6903	ZZ	LLB		LLU
	35	8	0.3		6.80	3.35	695	345	20,000	24,000			16003				
	35	10	0.3	0.3	6.80	3.35	695	345	20,000	24,000	16,000	14,000	6003	ZZ	LLB	LLH	LLU
	40	12	0.6	0.5	9.60	4.60	980	465	18,000	21,000	15,000	12,000	6203	ZZ	LLB	LLH	LLU
	47	14	1	0.5	13.5	6.55	1,380	665	16,000	19,000	14,000	11,000	6303	ZZ	LLB	LLH	LLU
	62	17	1.1		22.7	10.8	2,320	1,100	14,000	16,000			6403				
20	27	4	0.2		1.04	0.730	106	74	5,000	5,700			6704		LLF		
	32	7	0.3	0.3	4.00	2.47	410	252	21,000	25,000		13,000	6804	ZZ	LLB		LLU
	37	9	0.3	0.3	6.40	3.70	650	375	19,000	23,000		12,000	6904	ZZ	LLB		LLU
	42	8	0.3		7.90	4.50	810	455	18,000	21,000			16004				
	42	12	0.6	0.5	9.40	5.05	955	515	18,000	21,000	13,000	11,000	6004	ZZ	LLB	LLH	LLU
	47	14	1	0.5	12.8	6.65	1,310	680	16,000	18,000	12,000	10,000	6204	ZZ	LLB	LLH	LLU
	52	15	1.1	0.5	15.9	7.90	1,620	805	14,000	17,000	12,000	10,000	6304	ZZ	LLB	LLH	LLU

① Smallest allowable dimension for chamfer dimension r.



Equivalent bearing load

dynamic

$$P_r = XF_r + YF_a$$

$\frac{F_a}{C_{or}}$	e	$\frac{F_a}{F_r} \leq e$		$\frac{F_a}{F_r} > e$	
		X	Y	X	Y
0.010	0.18				2.46
0.020	0.20				2.14
0.040	0.24				1.83
0.070	0.27				1.61
0.10	0.29				1.48
0.15	0.32	1	0	0.56	1.35
0.20	0.35				1.25
0.30	0.38				1.13
0.40	0.41				1.05
0.50	0.44				1.00

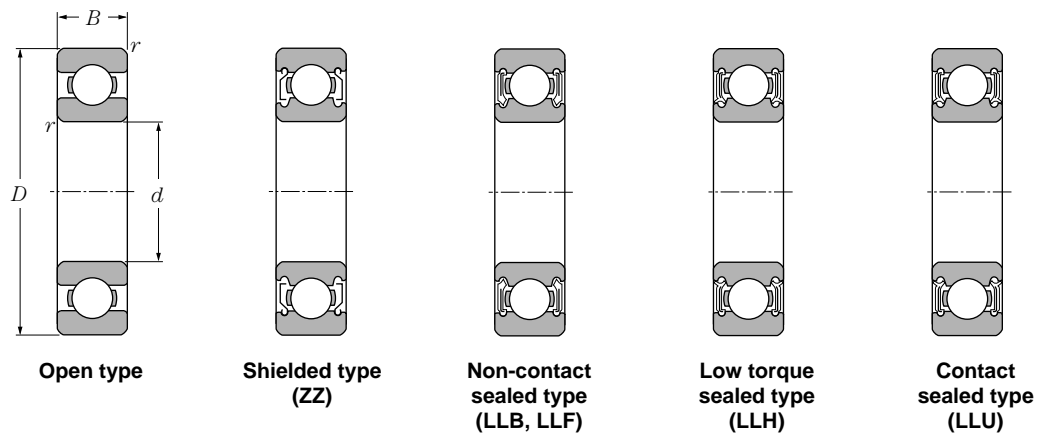
static

$$P_{or} = 0.6F_r + 0.5F_a$$

When $P_{or} < F_r$ use $P_{or} = F_r$

Bearing numbers		Snap ring groove dimensions mm				Snap ring dimensions mm		Abutment and fillet dimensions mm								Mass ^④ kg
snap ring groove	snap ring	D_1 max	a max	b min	r_o max	D_2 max	f max	d_a min	d_a max	D_a max	D_X (approx.)	C_Y max	C_Z min	r_{as} max	r_{Na} max	(approx.)
N	NR	20.8	1.05	0.8	0.2	24.8	0.7	10.8	12	14.2	25.5	1.5	0.7	0.3	0.3	0.0015
								12	12.5	17						0.005
								12	13.5	24						0.009
								12	13.5	24						0.019
N	NR	28.17	2.06	1.35	0.4	34.7	1.12	14	16	26	35.5	2.9	1.2	0.6	0.5	0.032
N	NR	33.17	2.06	1.35	0.4	39.7	1.12	14	17	31	40.5	2.9	1.2	0.6	0.5	0.053
N	NR	22.8	1.05	0.8	0.2	26.8	0.7	13.6	13.8	16.4	27.5	1.5	0.7	0.3	0.3	0.002
								14	14.5	19						0.006
								14	15	22						0.011
								14	16	26						0.019
N	NR	30.15	2.06	1.35	0.4	36.7	1.12	16	17	28	37.5	2.9	1.2	0.6	0.5	0.037
N	NR	34.77	2.06	1.35	0.4	41.3	1.12	17	18.5	32	42	2.9	1.2	1	0.5	0.06
N	NR	26.7	1.3	0.95	0.25	30.8	0.85	16.6	16.8	19.4	31.5	1.9	0.9	0.3	0.3	0.0025
								17	17.5	22						0.007
								17	17.5	26						0.016
								17	30	30						0.025
N	NR	30.15	2.06	1.35	0.4	36.7	1.12	17	19	30	37.5	2.9	1.2	0.3	0.3	0.03
N	NR	33.17	2.06	1.35	0.4	39.7	1.12	19	20	31	40.5	2.9	1.2	0.6	0.5	0.045
N	NR	39.75	2.06	1.35	0.4	46.3	1.12	20	23	37	47	2.9	1.2	1	0.5	0.082
N	NR	28.7	1.3	0.95	0.25	32.8	0.85	18.6	18.8	21.4	33.5	1.9	0.9	0.3	0.3	0.0025
								19	19.5	24						0.008
								19	20	28						0.018
								19	33	33						0.032
N	NR	33.17	2.06	1.35	0.4	39.7	1.12	19	21	33	40.5	2.9	1.2	0.3	0.3	0.039
N	NR	38.1	2.06	1.35	0.4	44.6	1.12	21	23	36	45.5	2.9	1.2	0.6	0.5	0.066
N	NR	44.6	2.46	1.35	0.4	52.7	1.12	22	25	42	53.5	3.3	1.2	1	0.5	0.115
								23.5		55.5				1		0.27
N	NR	30.7	1.3	0.95	0.25	34.8	0.85	21.6	22.3	25.4	35.5	1.9	0.9	0.3	0.3	0.0045
								22	22.5	30						0.019
								22	24	35						0.036
								22	40	40						0.051
N	NR	39.75	2.06	1.35	0.4	46.3	1.12	24	26	38	47	2.9	1.2	0.6	0.5	0.069
N	NR	44.6	2.46	1.35	0.4	52.7	1.12	25	28	42	53.5	3.3	1.2	1	0.5	0.106
N	NR	49.73	2.46	1.35	0.4	57.9	1.12	26.5	28.5	45.5	58.5	3.3	1.2	1	0.5	0.144

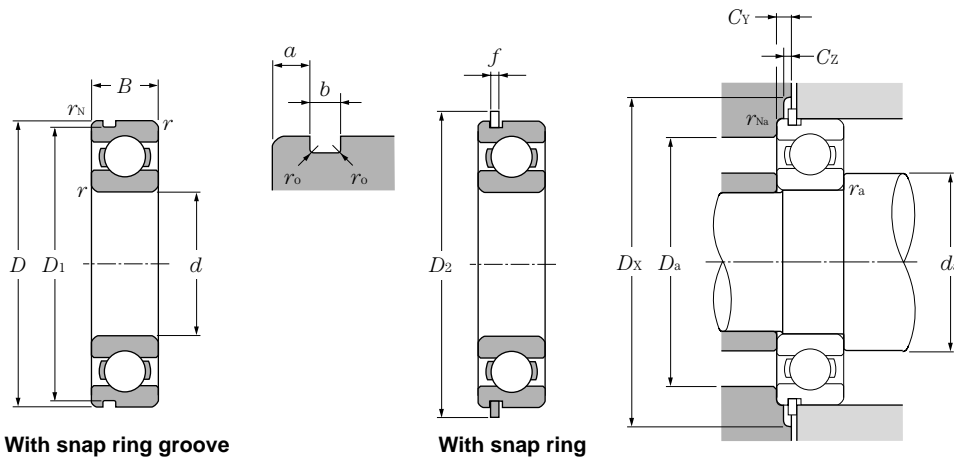
② Sealed and shielded bearings are also available. ③ This dimension applies to sealed and shielded bearings. ④ Does not include bearings with snap rings. ⑤ See page B-38.



d 20 ~ 35mm

d	Boundary dimensions				Basic load ratings				Limiting speeds				Bearing numbers						
	mm				dynamic		static		rpm				open type	sealed type	non-contact type	low torque type	contact type		
	D	B	r _{s min} ❶	r _{NS min}	C _r	C _{or}	C _r	C _{or}	grease open type ZZ	grease open type LLB	oil open type Z	oil open type LB						LLH	LLU
20	72	19	1.1		28.5	13.9	2,900	1,420	12,000	14,000					6404				
22	44	12	0.6	0.5	9.40	5.05	955	515	17,000	20,000	13,000	10,000	60/22	ZZ	LLB	LLH	LLU		
	50	14	1	0.5	12.9	6.80	1,320	690	14,000	17,000	12,000	9,700	62/22	ZZ	LLB	LLH	LLU		
	56	16	1.1	0.5	18.4	9.25	1,880	945	13,000	15,000	11,000	9,200	63/22	ZZ	LLB	LLH	LLU		
25	32	4	0.2		1.10	0.840	112	86	4,000	4,600			6705		LLF				
	37	7	0.3	0.3	4.30	2.95	435	300	18,000	21,000		10,000	6805	ZZ	LLB		LLU		
	42	9	0.3	0.3	7.05	4.55	715	460	16,000	19,000		9,800	6905	ZZ	LLB		LLU		
	47	8	0.3		8.35	5.10	855	520	15,000	18,000			16005						
	47	12	0.6	0.5	10.1	5.85	1,030	595	15,000	18,000	11,000	9,400	6005	ZZ	LLB	LLH	LLU		
	52	15	1	0.5	14.0	7.85	1,430	800	13,000	15,000	11,000	8,900	6205	ZZ	LLB	LLH	LLU		
	62	17	1.1	0.5	21.2	10.9	2,160	1,110	12,000	14,000	9,700	8,100	6305	ZZ	LLB	LLH	LLU		
80	21	1.5		34.5	17.5	3,550	1,780	10,000	12,000			6405							
28	52	12	0.6	0.5	12.5	7.40	1,270	755	14,000	16,000	10,000	8,400	60/28	ZZ	LLB	LLH	LLU		
	58	16	1	0.5	17.9	9.75	1,830	995	12,000	14,000	9,700	8,100	62/28	ZZ	LLB	LLH	LLU		
	68	18	1.1	0.5	26.7	14.0	2,730	1,430	11,000	13,000	8,900	7,400	63/28	ZZ	LLB	LLH	LLU		
30	37	4	0.2		1.14	0.950	117	97	3,300	3,800			6706		LLF				
	42	7	0.3	0.3	4.70	3.65	480	370	15,000	18,000		8,800	6806	ZZ	LLB		LLU		
	47	9	0.3	0.3	7.25	5.00	740	510	14,000	17,000		8,400	6906	ZZ	LLB		LLU		
	55	9	0.3		11.2	7.35	1,150	750	13,000	15,000			16006						
	55	13	1	0.5	13.2	8.3	1,350	845	13,000	15,000	9,200	7,700	6006	ZZ	LLB	LLH	LLU		
	62	16	1	0.5	19.5	11.3	1,980	1,150	11,000	13,000	8,800	7,300	6206	ZZ	LLB	LLH	LLU		
	72	19	1.1	0.5	26.7	15.0	2,720	1,530	10,000	12,000	7,900	6,600	6306	ZZ	LLB	LLH	LLU		
	90	23	1.5		43.5	23.9	4,400	2,440	8,800	10,000			6406						
32	58	13	1	0.5	11.8	8.05	1,200	820	12,000	15,000	8,700	7,200	60/32	ZZ	LLB	LLH	LLU		
	65	17	1	0.5	20.7	11.6	2,110	1,190	11,000	12,000	8,400	7,100	62/32	ZZ	LLB	LLH	LLU		
	75	20	1.1	0.5	29.8	16.9	3,050	1,730	9,500	11,000	7,700	6,500	63/32	ZZ	LLB	LLH	LLU		
35	47	7	0.3	0.3	4.90	4.05	500	410	13,000	16,000		7,600	6807	ZZ	LLB		LLU		
	55	10	0.6	0.5	9.55	6.85	975	695	12,000	15,000		7,100	6907	ZZ	LLB		LLU		
	62	9	0.3		11.7	8.20	1,190	835	12,000	14,000			16007						
	62	14	1	0.5	16.0	10.3	1,630	1,050	12,000	14,000	8,200	6,800	6007	ZZ	LLB	LLH	LLU		
	72	17	1.1	0.5	25.7	15.3	2,620	1,560	9,800	11,000	7,600	6,300	6207	ZZ	LLB	LLH	LLU		
	80	21	1.5	0.5	33.5	19.1	3,400	1,950	8,800	10,000	7,300	6,000	6307	ZZ	LLB	LLH	LLU		
100	25	1.5		55.0	31.0	5,600	3,150	7,800	9,100			6407							

❶ Smallest allowable dimension for chamfer dimension r.



Equivalent bearing load

dynamic

$$P_r = XF_r + YF_a$$

$\frac{F_a}{C_{or}}$	e	$\frac{F_a}{F_r} \leq e$		$\frac{F_a}{F_r} > e$	
		X	Y	X	Y
0.010	0.18				2.46
0.020	0.20				2.14
0.040	0.24				1.83
0.070	0.27				1.61
0.10	0.29	1	0	0.56	1.48
0.15	0.32				1.35
0.20	0.35				1.25
0.30	0.38				1.13
0.40	0.41				1.05
0.50	0.44				1.00

static

$$P_{or} = 0.6F_r + 0.5F_a$$

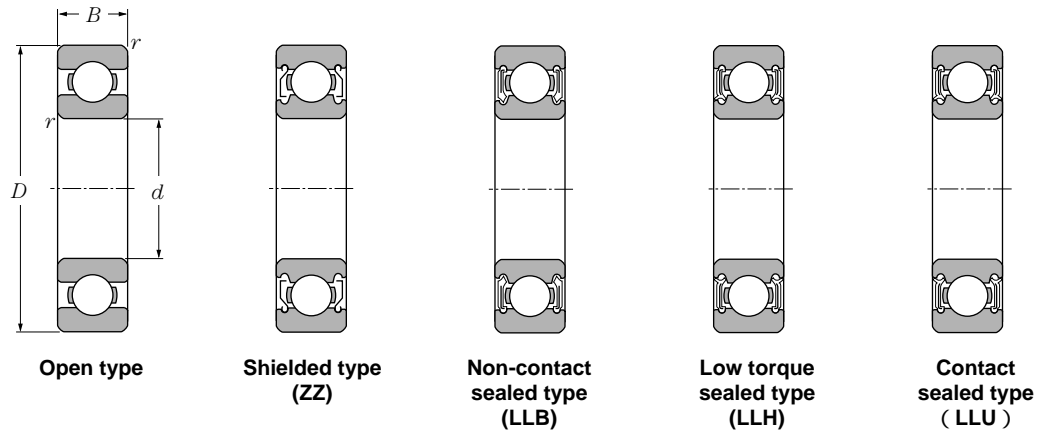
When $P_{or} < F_r$ use $P_{or} = F_r$

Bearing numbers		Snap ring groove dimensions mm				Snap ring dimensions mm		Abutment and fillet dimensions mm								Mass ^④ kg	
snap ring groove	snap ring	D_1 max	a max	b min	r_o max	D_2 max	f max	d_a min	d_a max	D_a max	D_X (approx.)	C_Y max	C_Z min	r_{as} max	r_{Na} max	(approx.)	
								26.5		65.5							0.4
N	NR	41.75	2.06	1.35	0.4	48.3	1.12	26	26.5	40	49	2.9	1.2	0.6	0.5		0.074
N	NR	47.6	2.46	1.35	0.4	55.7	1.12	27	29.5	45	56.5	3.3	1.2	1	0.5		0.117
N	NR	53.6	2.46	1.35	0.4	61.7	1.12	28.5	31	49.5	62.5	3.3	1.2	1	0.5		0.176
								26.6	27.3	30.4							0.005
N	NR	35.7	1.3	0.95	0.25	39.8	0.85	27	28	35	40.5	1.9	0.9	0.3	0.3		0.022
N	NR	40.7	1.7	0.95	0.25	44.8	0.85	27	29	40	45.5	2.3	0.9	0.3	0.3		0.042
								27		45.0				0.3			0.06
N	NR	44.6	2.06	1.35	0.4	52.7	1.12	29	30.5	43	53.5	2.9	1.2	0.6	0.5		0.08
N	NR	49.73	2.46	1.35	0.4	57.9	1.12	30	32	47	58.5	3.3	1.2	1	0.5		0.128
N	NR	59.61	3.28	1.9	0.6	67.7	1.7	31.5	35	55.5	68.5	4.6	1.7	1	0.5		0.232
								33		72				1.5			0.53
N	NR	49.73	2.06	1.35	0.4	57.9	1.12	32	34	48	58.5	2.9	1.2	0.6	0.5		0.098
N	NR	55.6	2.46	1.35	0.4	63.7	1.12	33	35.5	53	64.5	3.3	1.2	1	0.5		0.171
N	NR	64.82	3.28	1.9	0.6	74.6	1.7	34.5	38.5	61.5	76	4.6	1.7	1	0.5		0.284
								31.6	32.3	35.4							0.006
N	NR	40.7	1.3	0.95	0.25	44.8	0.85	32	33	40	45.5	1.9	0.9	0.3	0.3		0.026
N	NR	45.7	1.7	0.95	0.25	49.8	0.85	32	34	45	50.5	2.3	0.9	0.3	0.3		0.048
								32		53				0.3			0.091
N	NR	52.6	2.08	1.35	0.4	60.7	1.12	35	37	50	61.5	2.9	1.2	1	0.5		0.116
N	NR	59.61	3.28	1.9	0.6	67.7	1.7	35	39	57	68.5	4.6	1.7	1	0.5		0.199
N	NR	68.81	3.28	1.9	0.6	78.6	1.7	36.5	43	65.5	80	4.6	1.7	1	0.5		0.36
								38		82				1.5			0.735
N	NR	55.6	2.08	1.35	0.4	63.7	1.12	37	39	53	64.5	2.9	1.2	1	0.5		0.129
N	NR	62.6	3.28	1.9	0.6	70.7	1.7	37	40	60	71.5	4.6	1.7	1	0.5		0.226
N	NR	71.83	3.28	1.9	0.6	81.6	1.7	38.5	43.5	68.5	83	4.6	1.7	1	0.5		0.382
N	NR	45.7	1.3	0.95	0.25	49.8	0.85	37	38	45	50.5	1.9	0.9	0.3	0.3		0.029
N	NR	53.7	1.7	0.95	0.25	57.8	0.85	39	40	51	58.5	2.3	0.9	0.6	0.5		0.074
								37		60				0.3			0.11
N	NR	59.61	2.08	1.9	0.6	67.7	1.7	40	42	57	68.5	3.4	1.7	1	0.5		0.155
N	NR	68.81	3.28	1.9	0.6	78.6	1.7	41.5	45	65.5	80	4.6	1.7	1	0.5		0.288
N	NR	76.81	3.28	1.9	0.6	86.6	1.7	43	47	72	88	4.6	1.7	1.5	0.5		0.457
								43		92				1.5			0.952

② Sealed and shielded bearings are also available.

③ This dimension applies to sealed and shielded bearings.

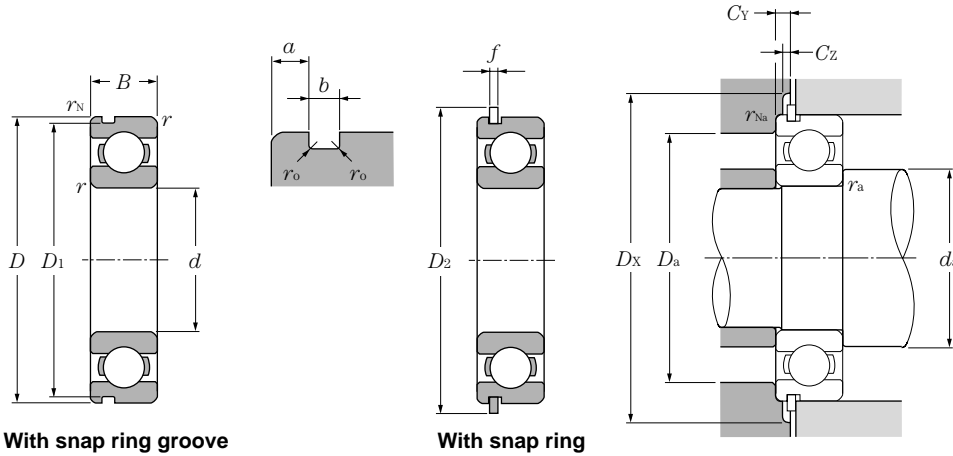
④ Does not include bearings with snap rings.



d 40 ~ 60mm

d	Boundary dimensions				Basic load ratings				Limiting speeds				Bearing numbers				
	mm				dynamic		static		rpm				open type	sealed type	non-contact type	low torque type	contact type
	D	B	r _{s min} ^①	r _{NS min}	C _r	C _{or}	C _r	C _{or}	grease open type ZZ	oil open type Z	LLB	LB					
40	52	7	0.3	0.3	5.10	4.40	520	445	12,000	14,000			6,700	6808	ZZ	LLB	LLU
	62	12	0.6	0.5	12.2	8.90	1,240	910	11,000	13,000			6,300	6908	ZZ	LLB	LLU
	68	9	0.3		12.6	9.65	1,290	985	10,000	12,000				16008			
	68	15	1	0.5	16.8	11.5	1,710	1,170	10,000	12,000	7,300	6,100	6008	ZZ	LLB	LLH	LLU
	80	18	1.1	0.5	29.1	17.8	2,970	1,820	8,700	10,000	6,700	5,600	6208	ZZ	LLB	LLH	LLU
	90	23	1.5	0.5	40.5	24.0	4,150	2,450	7,800	9,200	6,400	5,300	6308	ZZ	LLB	LLH	LLU
	110	27	2		63.5	36.5	6,500	3,750	7,000	8,200				6408			
45	58	7	0.3	0.3	5.35	4.95	550	500	11,000	12,000			5,900	6809	ZZ	LLB	LLU
	68	12	0.6	0.5	13.1	10.4	1,330	1,060	9,800	12,000			5,600	6909	ZZ	LLB	LLU
	75	10	0.6		12.9	10.5	1,320	1,070	9,200	11,000				16009			
	75	16	1	0.5	21.0	15.1	2,140	1,540	9,200	11,000	6,500	5,400	6009	ZZ	LLB	LLH	LLU
	85	19	1.1	0.5	32.5	20.4	3,350	2,080	7,800	9,200	6,200	5,200	6209	ZZ	LLB	LLH	LLU
	100	25	1.5	0.5	53.0	32.0	5,400	3,250	7,000	8,200	5,600	4,700	6309	ZZ	LLB	LLH	LLU
50	120	29	2		77.0	45.0	7,850	4,600	6,300	7,400				6409			
	65	7	0.3	0.3	6.60	6.10	670	620	9,600	11,000			5,300	6810	ZZ	LLB	LLU
	72	12	0.6	0.5	13.4	11.2	1,370	1,140	8,900	11,000			5,100	6910	ZZ	LLB	LLU
	80	10	0.6		13.2	11.3	1,350	1,150	8,400	9,800				16010			
	80	16	1	0.5	21.8	16.6	2,230	1,690	8,400	9,800	6,000	5,000	6010	ZZ	LLB	LLH	LLU
	90	20	1.1	0.5	35.0	23.2	3,600	2,370	7,100	8,300	5,700	4,700	6210	ZZ	LLB	LLH	LLU
	110	27	2	0.5	62.0	38.5	6,300	3,900	6,400	7,500	5,000	4,200	6310	ZZ	LLB	LLH	LLU
55	130	31	2.1		83.0	49.5	8,450	5,050	5,700	6,700				6410			
	72	9	0.3	0.3	8.80	8.10	900	825	8,700	10,000			4,800	6811	ZZ	LLB	LLU
	80	13	1	0.5	16.0	13.3	1,630	1,350	8,200	9,600			4,600	6911	ZZ	LLB	LLU
	90	11	0.6		18.6	15.3	1,900	1,560	7,700	9,000				16011			
	90	18	1.1	0.5	28.3	21.2	2,880	2,170	7,700	9,000		4,500	6011	ZZ	LLB	LLU	
	100	21	1.5	0.5	43.5	29.2	4,450	2,980	6,400	7,600		4,300	6211	ZZ	LLB	LLU	
60	120	29	2	0.5	71.5	45.0	7,300	4,600	5,800	6,800		3,900	6311	ZZ	LLB	LLU	
	140	33	2.1		89.0	54.0	9,050	5,500	5,200	6,100				6411			
	78	10	0.3	0.3	11.5	10.6	1,170	1,080	8,000	9,400			4,400	6812	ZZ	LLB	LLU
	85	13	1	0.5	16.4	14.3	1,670	1,450	7,600	8,900		4,300	6912	ZZ	LLB	LLU	
	95	11	0.6		20.0	17.5	2,040	1,780	7,000	8,300				16012			
	95	18	1.1	0.5	29.5	23.2	3,000	2,370	7,000	8,300		4,100	6012	ZZ	LLB	LLU	
60	110	22	1.5	0.5	52.5	36.0	5,350	3,700	6,000	7,000		3,800	6212	ZZ	LLB	LLU	
	130	31	2.1	0.5	82.0	52.0	8,350	5,300	5,400	6,300		3,600	6312	ZZ	LLB	LLU	
	150	35	2.1		102	64.5	10,400	6,550	4,800	5,700				6412			

① Smallest allowable dimension for chamfer dimension r.



Equivalent bearing load dynamic

$$P_r = XF_r + YF_a$$

$\frac{F_a}{C_{or}}$	e	$\frac{F_a}{F_r} \leq e$		$\frac{F_a}{F_r} > e$	
		X	Y	X	Y
0.010	0.18				2.46
0.020	0.20				2.14
0.040	0.24				1.83
0.070	0.27				1.61
0.10	0.29	1	0	0.56	1.48
0.15	0.32				1.35
0.20	0.35				1.25
0.30	0.38				1.13
0.40	0.41				1.05
0.50	0.44				1.00

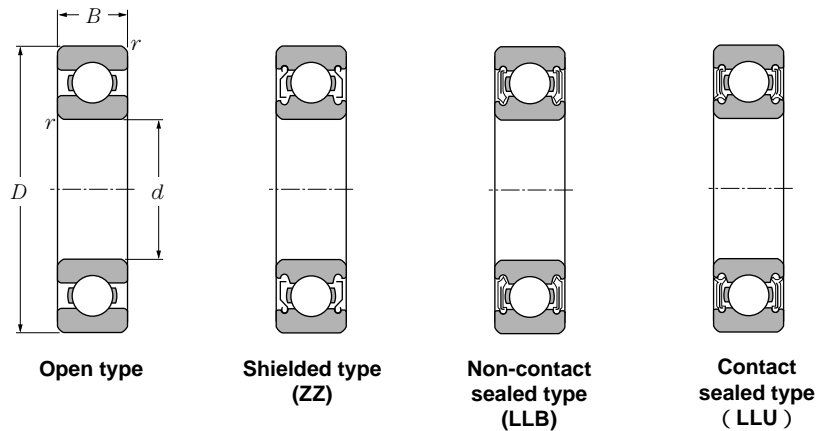
static

$$P_{or} = 0.6F_r + 0.5F_a$$

When $P_{or} < F_r$ use $P_{or} = F_r$

Bearing numbers		Snap ring groove dimensions mm				Snap ring dimensions mm		Abutment and fillet dimensions mm								Mass ^④ kg
snap ring groove	snap ring	D_1 max	a max	b min	r_0 max	D_2 max	f max	d_a min	d_a max ^③	D_a max	D_X (approx.)	C_Y max	C_Z min	r_{as} max	r_{Na} max	(approx.)
N	NR	50.7	1.3	0.95	0.25	54.8	0.85	42	43	50	55.5	1.9	0.9	0.3	0.3	0.033
N	NR	60.7	1.7	0.95	0.25	64.8	0.85	44	45	58	65.5	2.3	0.9	0.6	0.5	0.11
N	NR	64.82	2.49	1.9	0.6	74.6	1.7	42	66					0.3		0.125
N	NR	64.82	2.49	1.9	0.6	74.6	1.7	45	47	63	76	3.8	1.7	1	0.5	0.19
N	NR	76.81	3.28	1.9	0.6	86.6	1.7	46.5	51	73.5	88	4.6	1.7	1	0.5	0.366
N	NR	86.79	3.28	2.7	0.6	96.5	2.46	48	54	82	98	5.4	2.5	1.5	0.5	0.63
								49	101					2.0		1.23
N	NR	56.7	1.3	0.95	0.25	60.8	0.85	47	48	56	61.5	1.9	0.9	0.3	0.3	0.04
N	NR	66.7	1.7	0.95	0.25	70.8	0.85	49	51	64	72	2.3	0.9	0.6	0.5	0.128
								49	71					0.6		0.171
N	NR	71.83	2.49	1.9	0.6	81.6	1.7	50	52.5	70	83	3.8	1.7	1	0.5	0.237
N	NR	81.81	3.28	1.9	0.6	91.6	1.7	51.5	55.5	78.5	93	4.6	1.7	1	0.5	0.398
N	NR	96.8	3.28	2.7	0.6	106.5	2.46	53	61.5	92	108	5.4	2.5	1.5	0.5	0.814
								54	111					2		1.53
N	NR	63.7	1.3	0.95	0.25	67.8	0.85	52	54	63	68.5	1.9	0.9	0.3	0.3	0.052
N	NR	70.7	1.7	0.95	0.25	74.8	0.85	54	55.5	68	76	2.3	0.9	0.6	0.5	0.132
								54	76					0.6		0.18
N	NR	76.81	2.49	1.9	0.6	86.6	1.7	55	57.5	75	88	3.8	1.7	1	0.5	0.261
N	NR	86.79	3.28	2.7	0.6	96.5	2.46	56.5	60	83.5	98	5.4	2.5	1	0.5	0.454
N	NR	106.81	3.28	2.7	0.6	116.6	2.46	59	68.5	101	118	5.4	2.5	2	0.5	1.07
								61	119					2		1.88
N	NR	70.7	1.7	0.95	0.25	74.8	0.85	57	59	70	76	2.3	0.9	0.3	0.3	0.083
N	NR	77.9	2.1	1.3	0.4	84.4	1.12	60	61.5	75	86	2.9	1.2	1	0.5	0.18
								59	86					0.6		0.258
N	NR	86.79	2.87	2.7	0.6	96.5	2.46	61.5	64	83.5	98	5	2.5	1	0.5	0.388
N	NR	96.8	3.28	2.7	0.6	106.5	2.46	63	67	92	108	5.4	2.5	1.5	0.5	0.601
N	NR	115.21	4.06	3.1	0.6	129.7	2.82	64	74	111	131.5	6.5	2.9	2	0.5	1.37
								66	129					2		2.29
N	NR	76.2	1.7	1.3	0.4	82.7	1.12	62	64.5	76	84	2.5	1.2	0.3	0.3	0.106
N	NR	82.9	2.1	1.3	0.4	89.4	1.12	65	66.5	80	91	2.9	1.2	1	0.5	0.193
								64	91					0.6		0.283
N	NR	91.82	2.87	2.7	0.6	101.6	2.46	66.5	69	88.5	103	5	2.5	1	0.5	0.414
N	NR	106.81	3.28	2.7	0.6	116.6	2.46	68	75	102	118	5.4	2.5	1.5	0.5	0.783
N	NR	125.22	4.06	3.1	0.6	139.7	2.82	71	80.5	119	141.5	6.5	2.9	2	0.5	1.73
								71	139					2		2.77

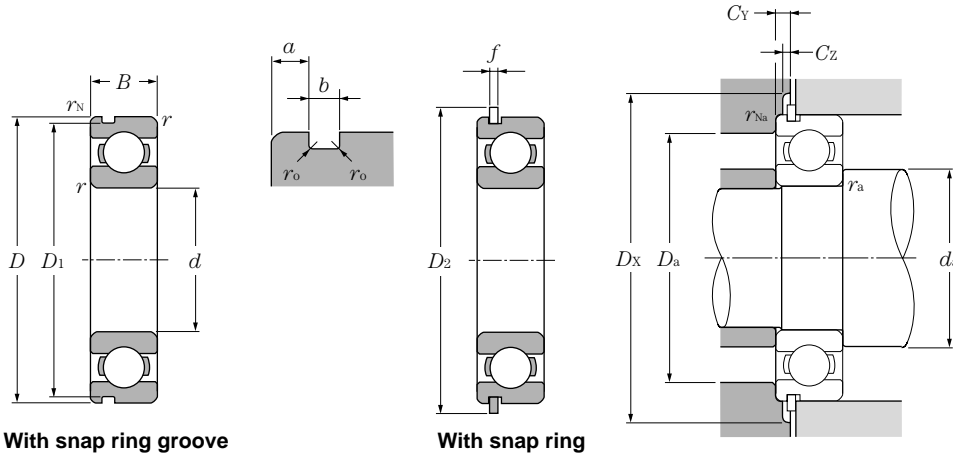
② Sealed and shielded bearings are also available. ③ This dimension applies to sealed and shielded bearings. ④ Does not include bearings with snap rings.



d 65 ~ 85mm

d	Boundary dimensions				Basic load ratings				Limiting speeds			Bearing numbers			
	mm				dynamic		static		rpm			open type	sealed type	non-contact type	contact type
	D	B	$r_{s\ min}^{\text{①}}$	$r_{NS\ min}$	C_r	C_{or}	C_r	C_{or}	grease open type ZZ	oil open type LB	LLU				
65	85	10	0.6	0.5	11.6	11.0	1,180	1,120	7,400	8,700	4,100	6813	ZZ	LLB	LLU
	90	13	1	0.5	17.4	16.1	1,770	1,640	7,000	8,200	4,000	6913	ZZ	LLB	LLU
	100	11	0.6		20.5	18.7	2,090	1,910	6,500	7,700		16013			
	100	18	1.1	0.5	30.5	25.2	3,100	2,570	6,500	7,700	3,900	6013	ZZ	LLB	LLU
	120	23	1.5	0.5	57.5	40.0	5,850	4,100	5,500	6,500	3,600	6213	ZZ	LLB	LLU
	140	33	2.1	0.5	92.5	60.0	9,450	6,100	4,900	5,800	3,300	6313	ZZ	LLB	LLU
	160	37	2.1		111	72.5	11,300	7,400	4,400	5,200		6413			
70	90	10	0.6	0.5	12.1	11.9	1,230	1,220	6,900	8,100	3,800	6814	ZZ	LLB	LLU
	100	16	1	0.5	23.7	21.2	2,420	2,160	6,500	7,700	3,700	6914	ZZ	LLB	LLU
	110	13	0.6		24.4	22.6	2,480	2,300	6,100	7,100		16014			
	110	20	1.1	0.5	38.0	31.0	3,900	3,150	6,100	7,100	3,600	6014	ZZ	LLB	LLU
	125	24	1.5	0.5	62.0	44.0	6,350	4,500	5,100	6,000	3,400	6214	ZZ	LLB	LLU
	150	35	2.1	0.5	104	68.0	10,600	6,950	4,600	5,400	3,100	6314	ZZ	LLB	LLU
	180	42	3		128	89.5	13,100	9,100	4,100	4,800		6414			
75	95	10	0.6	0.5	12.5	12.9	1,280	1,310	6,400	7,600	3,600	6815	ZZ	LLB	LLU
	105	16	1	0.5	24.4	22.6	2,480	2,300	6,100	7,200	3,500	6915	ZZ	LLB	LLU
	115	13	0.6		25.0	24.0	2,540	2,450	5,700	6,700		16015			
	115	20	1.1	0.5	39.5	33.5	4,050	3,400	5,700	6,700	3,300	6015	ZZ	LLB	LLU
	130	25	1.5	0.5	66.0	49.5	6,750	5,050	4,800	5,600	3,200	6215	ZZ	LLB	LLU
	160	37	2.1	0.5	113	77.0	11,600	7,850	4,300	5,000	2,900	6315	ZZ	LLB	LLU
	190	45	3		138	99.0	14,000	10,100	3,800	4,500		6415			
80	100	10	0.6	0.5	12.7	13.3	1,290	1,360	6,000	7,100	3,400	6816	ZZ	LLB	LLU
	110	16	1	0.5	24.9	24.0	2,540	2,450	5,700	6,700	3,200	6916	ZZ	LLB	LLU
	125	14	0.6		25.4	25.1	2,590	2,560	5,300	6,200		16016			
	125	22	1.1	0.5	47.5	40.0	4,850	4,050	5,300	6,200	3,100	6016	ZZ	LLB	LLU
	140	26	2	0.5	72.5	53.0	7,400	5,400	4,500	5,300	3,000	6216	ZZ	LLB	LLU
	170	39	2.1	0.5	123	86.5	12,500	8,850	4,000	4,700	2,700	6316	ZZ	LLB	LLU
	200	48	3		164	125	16,700	12,800	3,600	4,200		6416			
85	110	13	1	0.5	18.7	19.0	1,910	1,940	5,700	6,700	3,100	6817	ZZ	LLB	LLU
	120	18	1.1	0.5	32.0	29.6	3,250	3,000	5,400	6,300	3,000	6917	ZZ	LLB	LLU
	130	14	0.6		25.9	26.2	2,640	2,670	5,000	5,900		16017			
	130	22	1.1	0.5	49.5	43.0	5,050	4,400	5,000	5,900	2,900	6017	ZZ	LLB	LLU
	150	28	2	0.5	83.5	64.0	8,500	6,500	4,200	5,000	2,800	6217	ZZ	LLB	LLU
	180	41	3	0.5	133	97.0	13,500	9,850	3,800	4,500	2,600	6317	ZZ	LLB	LLU

① Smallest allowable dimension for chamfer dimension r .



Equivalent bearing load dynamic

$$P_r = XF_r + YF_a$$

$\frac{F_a}{C_{or}}$	e	$\frac{F_a}{F_r} \leq e$		$\frac{F_a}{F_r} > e$	
		X	Y	X	Y
0.010	0.18	1	0	0.56	2.46
0.020	0.20				2.14
0.040	0.24				1.83
0.070	0.27				1.61
0.10	0.29				1.48
0.15	0.32				1.35
0.20	0.35				1.25
0.30	0.38				1.13
0.40	0.41				1.05
0.50	0.44				1.00

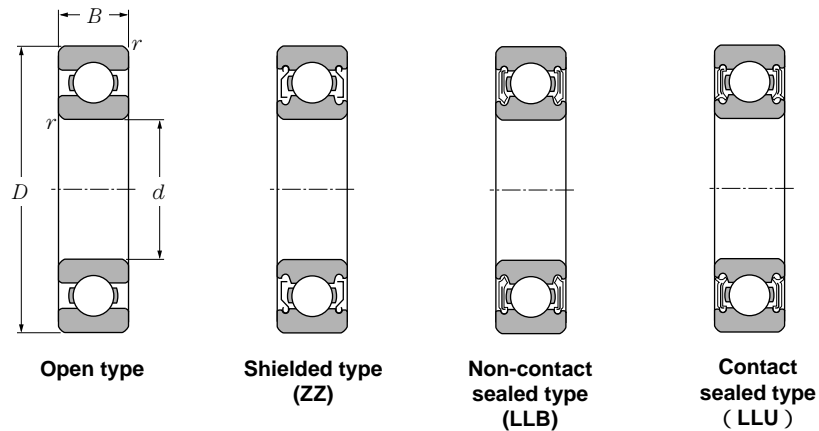
static

$$P_{or} = 0.6F_r + 0.5F_a$$

When $P_{or} < F_r$ use $P_{or} = F_r$

Bearing numbers		Snap ring groove dimensions mm				Snap ring dimensions mm		Abutment and fillet dimensions mm								Mass ^④ kg
snap ring groove	snap ring	D ₁ max	a max	b min	r ₀ max	D ₂ max	f max	d _a min	d _a max ^③	D _a max	D _X (approx.)	C _Y max	C _Z min	r _{as} max	r _{Nas} max	(approx.)
N	NR	82.9	1.7	1.3	0.4	89.4	1.12	69	70	81	91	2.5	1.2	0.6	0.5	0.128
N	NR	87.9	2.1	1.3	0.4	94.4	1.12	70	71.5	85	96	2.9	1.2	1	0.5	0.206
								69		96				0.6		0.307
N	NR	96.8	2.87	2.7	0.6	106.5	2.46	71.5	74	93.5	108	5	2.5	1	0.5	0.421
N	NR	115.21	4.06	3.1	0.6	129.7	2.82	73	80.5	112	131.5	6.5	2.9	1.5	0.5	0.99
N	NR	135.23	4.9	3.1	0.6	149.7	2.82	76	86	129	152	7.3	2.9	2	0.5	2.08
								76		149				2		3.3
N	NR	87.9	1.7	1.3	0.4	94.4	1.12	74	75.5	86	96	2.5	1.2	0.6	0.5	0.137
N	NR	97.9	2.5	1.3	0.4	104.4	1.12	75	77.5	95	106	3.3	1.2	1	0.5	0.334
								74		106				0.6		0.441
N	NR	106.81	2.87	2.7	0.6	116.6	2.46	76.5	80.5	103.5	118	5	2.5	1	0.5	0.604
N	NR	120.22	4.06	3.1	0.6	134.7	2.82	78	85	117	136.5	6.5	2.9	1.5	0.5	1.07
N	NR	145.24	4.9	3.1	0.6	159.7	2.82	81	92.5	139	162	7.3	2.9	2	0.5	2.52
								83		167				2.5		4.83
N	NR	92.9	1.7	1.3	0.4	99.4	1.12	79	80	91	101	2.5	1.2	0.6	0.5	0.145
N	NR	102.6	2.5	1.3	0.4	110.7	1.12	80	82.5	100	112	3.3	1.2	1	0.5	0.353
								79		111				0.6		0.464
N	NR	111.81	2.87	2.7	0.6	121.6	2.46	81.5	85.5	108.5	123	5	2.5	1	0.5	0.649
N	NR	125.22	4.06	3.1	0.6	139.7	2.82	83	90.5	122	141.5	6.5	2.9	1.5	0.5	1.18
N	NR	155.22	4.9	3.1	0.6	169.7	2.82	86	99	149	172	7.3	2.9	2	0.5	3.02
								88		177				2.5		5.72
N	NR	97.9	1.7	1.3	0.4	104.4	1.12	84	85	96	106	2.5	1.2	0.6	0.5	0.154
N	NR	107.6	2.5	1.3	0.4	115.7	1.12	85	88	105	117	3.3	1.2	1	0.5	0.373
								84		121				0.6		0.597
N	NR	120.22	2.87	3.1	0.6	134.7	2.82	86.5	91.5	118.5	136.5	5.3	2.9	1	0.5	0.854
N	NR	135.23	4.9	3.1	0.6	149.7	2.82	89	95.5	131	152	7.3	2.9	2	0.5	1.4
N	NR	163.65	5.69	3.5	0.6	182.9	3.1	91	105	159	185	8.4	3.1	2	0.5	3.59
								93		187				2.5		6.76
N	NR	107.6	2.1	1.3	0.4	115.7	1.12	90	91	105	117	2.9	1.2	1	0.5	0.27
N	NR	117.6	3.3	1.3	0.4	125.7	1.12	91.5	94	113.5	127	4.1	1.2	1	0.5	0.536
								89		126				0.6		0.626
N	NR	125.22	2.87	3.1	0.6	139.7	2.82	91.5	97	123.5	141.5	5.3	2.9	1	0.5	0.89
N	NR	145.24	4.9	3.1	0.6	159.7	2.82	94	103	141	162	7.3	2.9	2	0.5	1.79
N	NR	173.66	5.69	3.5	0.6	192.9	3.1	98	112	167	195	8.4	3.1	2.5	0.5	4.23

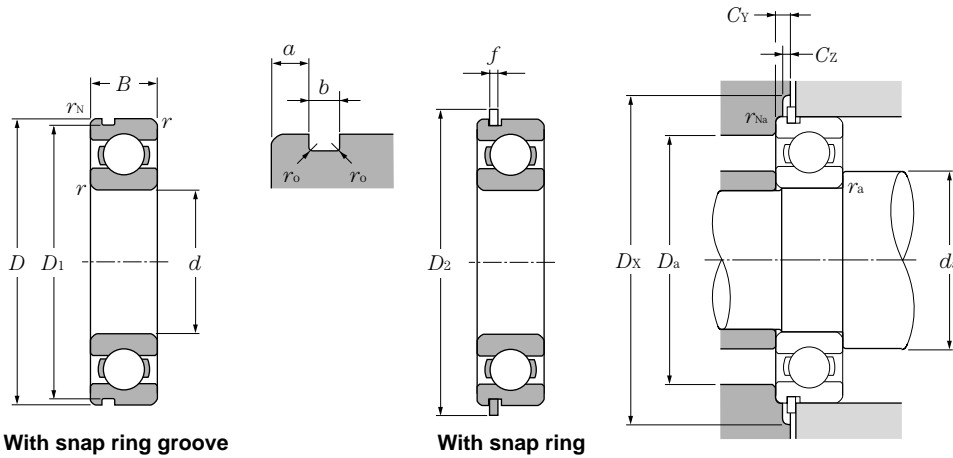
② Sealed and shielded bearings are also available. ③ This dimension applies to sealed and shielded bearings. ④ Does not include bearings with snap rings.



d 90 ~ 120mm

d	Boundary dimensions				Basic load ratings				Limiting speeds			Bearing numbers			
	mm				dynamic		static		rpm			open type	sealed type	non-contact type	contact type
	D	B	r _{s min} ①	r _{NS min}	C _r	C _{or}	C _r	C _{or}	grease open type ZZ	oil open type LB	LLU				
90	115	13	1	0.5	19.0	19.7	1,940	2,010	5,400	6,300	3,000	6818	ZZ	LLB	LLU
	125	18	1.1	0.5	33.0	31.5	3,350	3,200	5,100	6,000	2,900	6918	ZZ	LLB	LLU
	140	16	1		33.5	33.5	3,400	3,400	4,700	5,600		16018			
	140	24	1.5	0.5	58.0	49.5	5,950	5,050	4,700	5,600	2,800	6018	ZZ	LLB	LLU
	160	30	2	0.5	96.0	71.5	9,800	7,300	4,000	4,700	2,600	6218	ZZ	LLB	LLU
	190	43	3	0.5	143	107	14,500	10,900	3,600	4,200	2,400	6318	ZZ	LLB	LLU
95	120	13	1	0.5	19.3	20.5	1,970	2,090	5,000	5,900	2,800	6819	ZZ	LLB	LLU
	130	18	1.1	0.5	33.5	33.5	3,450	3,400	4,800	5,700	2,800	6919	ZZ	LLB	LLU
	145	16	1		34.5	35.0	3,500	3,550	4,500	5,300		16019			
	145	24	1.5	0.5	60.5	54.0	6,150	5,500	4,500	5,300	2,600	6019	ZZ	LLB	LLU
	170	32	2.1	0.5	109	82.0	11,100	8,350	3,700	4,400	2,500	6219	ZZ	LLB	LLU
	200	45	3	0.5	153	119	15,600	12,100	3,300	3,900	2,300	6319	ZZ		LLU
100	125	13	1	0.5	19.6	21.2	2,000	2,160	4,800	5,600	2,700	6820	ZZ	LLB	LLU
	140	20	1.1	0.5	41.0	39.5	4,200	4,050	4,500	5,300	2,600	6920	ZZ	LLB	LLU
	150	16	1		35.0	36.5	3,600	3,750	4,200	5,000		16020			
	150	24	1.5	0.5	60.0	54.0	6,150	5,500	4,200	5,000	2,600	6020	ZZ	LLB	LLU
	180	34	2.1	0.5	122	93.0	12,500	9,450	3,500	4,200	2,300	6220	ZZ	LLB	LLU
	215	47	3		173	141	17,600	14,400	3,200	3,700	2,200	6320	ZZ		LLU
105	130	13	1	0.5	19.8	22.0	2,020	2,240	4,600	5,400		6821			
	145	20	1.1	0.5	42.5	42.0	4,300	4,300	4,300	5,100	2,500	6921	ZZ	LLB	LLU
	160	18	1		52.0	50.5	5,300	5,150	4,000	4,700		16021			
	160	26	2	0.5	72.5	65.5	7,400	6,700	4,000	4,700	2,400	6021	ZZ	LLB	LLU
	190	36	2.1	0.5	133	105	13,600	10,700	3,400	4,000	2,300	6221	ZZ		LLU
	225	49	3		184	153	18,700	15,700	3,000	3,600	2,100	6321	ZZ		LLU
110	140	16	1	0.5	24.9	28.2	2,540	2,880	4,300	5,100		6822			
	150	20	1.1	0.5	43.5	44.5	4,450	4,550	4,100	4,800	2,400	6922	ZZ	LLB	LLU
	170	19	1		57.5	56.5	5,850	5,800	3,800	4,500		16022			
	170	28	2	0.5	82.0	73.0	8,350	7,450	3,800	4,500	2,300	6022	ZZ	LLB	LLU
	200	38	2.1	0.5	144	117	14,700	11,900	3,200	3,800	2,200	6222	ZZ		LLU
	240	50	3		205	179	20,900	18,300	2,900	3,400	1,900	6322	ZZ		LLU
120	150	16	1	0.5	28.9	33.0	2,950	3,350	4,000	4,700		6824			
	165	22	1.1	0.5	53.0	54.0	5,400	5,500	3,800	4,400		6924			
	180	19	1		63.0	63.5	6,450	6,450	3,500	4,100		16024			
	180	28	2	0.5	85.0	79.5	8,650	8,100	3,500	4,100	2,100	6024	ZZ	LLB	LLU

① Smallest allowable dimension for chamfer dimension r.



Equivalent bearing load

dynamic

$$P_r = X F_r + Y F_a$$

$\frac{F_a}{C_{or}}$	e	$\frac{F_a}{F_r}$		$\frac{F_a}{F_r} > e$	
		X	Y	X	Y
0.010	0.18	1	0	0.56	2.46
0.020	0.20				2.14
0.040	0.24				1.83
0.070	0.27				1.61
0.10	0.29				1.48
0.15	0.32				1.35
0.20	0.35				1.25
0.30	0.38				1.13
0.40	0.41				1.05
0.50	0.44				1.00

static

$$P_{or} = 0.6 F_r + 0.5 F_a$$

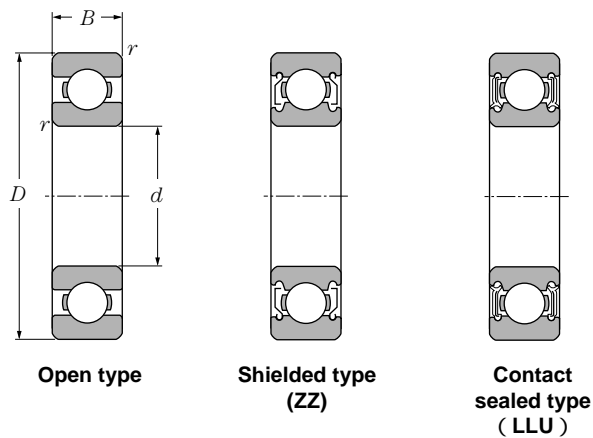
When $P_{or} < F_r$ use $P_{or} = F_r$

Bearing numbers		Snap ring groove dimensions mm				Snap ring dimensions mm		Abutment and fillet dimensions mm								Mass ^④ kg
snap ring groove	snap ring	D_1 max	a max	b min	r_0 max	D_2 max	f max	d_a min	d_a max	D_a max	D_X (approx.)	C_Y max	C_Z min	r_{as} max	r_{Na} max	(approx.)
N	NR	112.6	2.1	1.3	0.4	120.7	1.12	95	96	110	122	2.9	1.2	1	0.5	0.285
N	NR	122.6	3.3	1.3	0.4	130.7	1.12	96.5	99	118.5	132	4.1	1.2	1	0.5	0.554
								95		135				1		0.848
N	NR	135.23	3.71	3.1	0.6	149.7	2.82	98	102	132	152	6.1	2.9	1.5	0.5	1.02
N	NR	155.22	4.9	3.1	0.6	169.7	2.82	99	109	151	172	7.3	2.9	2	0.5	2.15
N	NR	183.64	5.69	3.5	0.6	202.9	3.1	103	118	177	205	8.4	3.1	2.5	0.5	4.91
N	NR	117.6	2.1	1.3	0.4	125.7	1.12	100	101	115	127	2.9	1.2	1	0.5	0.3
N	NR	127.6	3.3	1.3	0.4	135.7	1.12	101.5	104	123.5	137	4.1	1.2	1	0.5	0.579
								100		140				1		0.885
N	NR	140.23	3.71	3.1	0.6	154.7	2.82	103	109	137	157	6.1	2.9	1.5	0.5	1.08
N	NR	163.65	5.69	3.5	0.6	182.9	3.1	106	116	159	185	8.4	3.1	2	0.5	2.62
N	NR	193.65	5.69	3.5	0.6	212.9	3.1	108	125	187	215	8.4	3.1	2.5	0.5	5.67
N	NR	122.6	2.1	1.3	0.4	130.7	1.12	105	106	120	132	2.9	1.2	1	0.5	0.313
N	NR	137.6	3.3	1.9	0.6	145.7	1.7	106.5	110	133.5	147	4.7	1.7	1	0.5	0.785
								105		145				1		0.91
N	NR	145.24	3.71	3.1	0.6	159.7	2.82	108	110	142	162	6.1	2.9	1.5	0.5	1.15
N	NR	173.66	5.69	3.5	0.6	192.9	3.1	111	122	169	195	8.4	3.1	2	0.5	3.14
								113	133	202				2.5		7
N	NR	127.6	2.1	1.3	0.4	135.7	1.12	110		125	137	2.9	1.2	1	0.5	0.33
N	NR	142.6	3.3	1.9	0.6	150.7	1.7	111.5	115	138.5	152	4.7	1.7	1	0.5	0.816
								110		155				1		1.2
N	NR	155.22	3.71	3.1	0.6	169.7	2.82	114	119	151	172	6.1	2.9	2	0.5	1.59
N	NR	183.64	5.69	3.5	0.6	202.9	3.1	116	125	179	205	8.4	3.1	2	0.5	3.7
								118	134	212				2.5		8.05
N	NR	137.6	2.5	1.9	0.6	145.7	1.7	115		135	147	3.9	1.7	1	0.5	0.515
N	NR	147.6	3.3	1.9	0.6	155.7	1.7	116.5	120	143.5	157	4.7	1.7	1	0.5	0.849
								115		165				1		1.46
N	NR	163.65	3.71	3.5	0.6	182.9	3.1	119	126	161	185	6.4	3.1	2	0.5	1.96
N	NR	193.65	5.69	3.5	0.6	212.9	3.1	121	132	189	215	8.4	3.1	2	0.5	4.36
								123	149	227				2.5		9.54
N	NR	147.6	2.5	1.9	0.6	155.7	1.7	125		145	157	3.9	1.7	1	0.5	0.555
N	NR	161.8	3.7	1.9	0.6	171.5	1.7	126.5		158.5	173	5.1	1.7	1	0.5	1.15
								125		175				1		1.56
N	NR	173.66	3.71	3.5	0.6	192.9	3.1	129	136	171	195	6.4	3.1	2	0.5	2.07

② Sealed and shielded bearings are also available.

③ This dimension applies to sealed and shielded bearings.

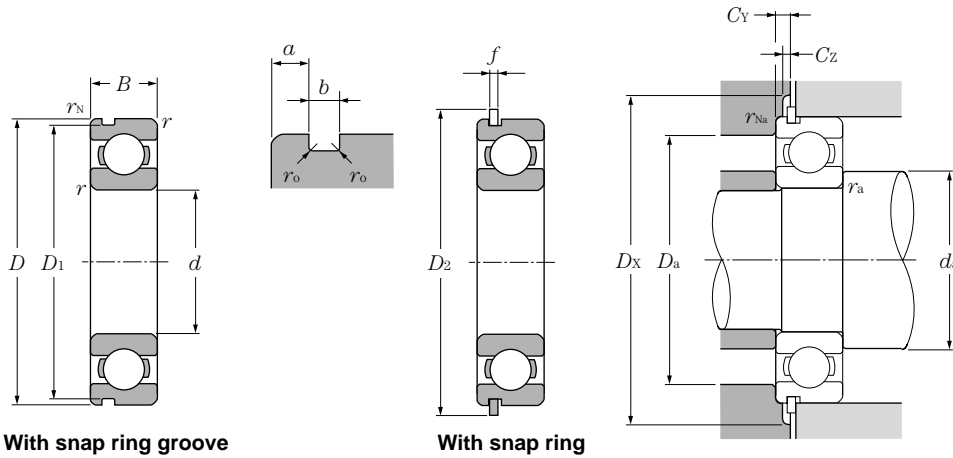
④ Does not include bearings with snap rings.



d 120 ~ 170mm

d	Boundary dimensions					Basic load ratings				Limiting speeds			Bearing numbers		
	D	B	r _{s min} ①	r _{NS min}	dynamic		static		rpm grease open type ZZ	rpm oil open type Z	rpm LLU	open type	sealed type	contact type	
					C _r	C _{or}	C _r	C _{or}							kN
120	215	40	2.1		155	131	15,900	13,400	2,900	3,400	2,000	6224	ZZ	LLU	
	260	55	3		207	185	21,100	18,800	2,600	3,100		6324			
130	165	18	1.1	0.5	37.0	41.0	3,750	4,200	3,700	4,300		6826			
	180	24	1.5	0.5	65.0	67.5	6,650	6,850	3,500	4,100		6926			
	200	22	1.1		80.0	79.5	8,150	8,100	3,200	3,800		16026			
	200	33	2	0.5	106	101	10,800	10,300	3,200	3,800	1,900	6026	ZZ	LLU	
	230	40	3		167	146	17,000	14,900	2,700	3,100		6226			
	280	58	4		229	214	23,400	21,800	2,400	2,800		6326			
140	175	18	1.1	0.5	38.5	44.5	3,900	4,550	3,400	4,000		6828			
	190	24	1.5	0.5	66.5	71.5	6,800	7,300	3,200	3,800		6928			
	210	22	1.1		82.0	85.0	8,350	8,650	3,000	3,500		16028			
	210	33	2		110	109	11,200	11,100	3,000	3,500	1,800	6028	ZZ	LLU	
	250	42	3		166	150	17,000	15,300	2,500	2,900		6228			
	300	62	4		253	246	25,800	25,100	2,200	2,600		6328			
150	190	20	1.1	0.5	47.5	55.0	4,850	5,600	3,100	3,700		6830			
	210	28	2		85.0	90.5	8,650	9,200	3,000	3,500		6930			
	225	24	1.1		96.5	101	9,850	10,300	2,800	3,200		16030			
	225	35	2.1		126	126	12,800	12,800	2,800	3,200	1,700	6030	ZZ	LLU	
	270	45	3		176	168	18,000	17,100	2,300	2,700		6230			
	320	65	4		274	284	28,000	28,900	2,100	2,400		6330			
160	200	20	1.1	0.5	48.5	57.0	4,950	5,800	2,900	3,400		6832			
	220	28	2		87.0	96.0	8,850	9,800	2,800	3,300		6932			
	240	25	1.5		99.0	108	10,100	11,000	2,600	3,000		16032			
	240	38	2.1		143	144	14,500	14,700	2,600	3,000	1,600	6032	ZZ	LLU	
	290	48	3		185	186	18,900	19,000	2,100	2,500		6232			
	340	68	4		278	286	28,300	29,200	1,900	2,300		6332			
170	215	22	1.1		60.0	70.5	6,100	7,200	2,700	3,200		6834			
	230	28	2		86.0	95.5	8,750	9,750	2,600	3,100		6934			
	260	28	1.5		119	128	12,100	13,100	2,400	2,800		16034			
	260	42	2.1		168	172	17,200	17,600	2,400	2,800		6034			
	310	52	4		212	223	21,700	22,800	2,000	2,400		6234			
	360	72	4		325	355	33,500	36,000	1,800	2,100		6334			

① Smallest allowable dimension for chamfer dimension r.



Equivalent bearing load

dynamic

$$P_r = XF_r + YF_a$$

$\frac{F_a}{C_{or}}$	e	$\frac{F_a}{F_r} \leq e$		$\frac{F_a}{F_r} > e$	
		X	Y	X	Y
0.010	0.18				2.46
0.020	0.20				2.14
0.040	0.24				1.83
0.070	0.27				1.61
0.10	0.29				1.48
0.15	0.32	1	0	0.56	1.35
0.20	0.35				1.25
0.30	0.38				1.13
0.40	0.41				1.05
0.50	0.44				1.00

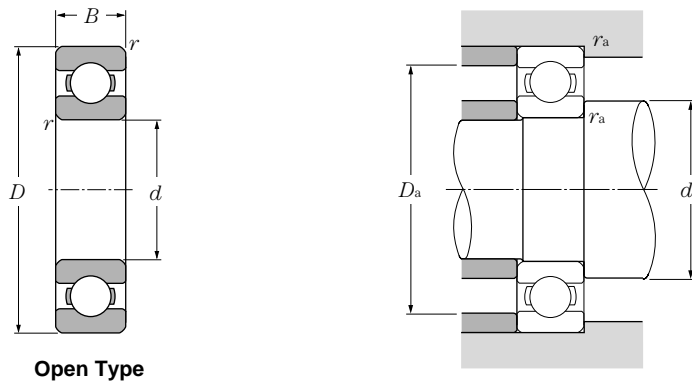
static

$$P_{or} = 0.6F_r + 0.5F_a$$

When $P_{or} < F_r$ use $P_{or} = F_r$

Bearing numbers		Snap ring groove dimensions mm				Snap ring dimensions mm		Abutment and fillet dimensions mm								Mass ^④ kg
snap ring groove	snap ring	D_1 max	a max	b min	r_o max	D_2 max	f max	d_a min	d_a max	D_a max	D_X (approx.)	C_Y max	C_Z min	r_{as} max	r_{Nas} max	(approx.)
								131	143	204				2		5.15
								133		247				2.5		12.4
N	NR	161.8	3.3	1.9	0.6	171.5	1.7	136.5		158.5	173	4.7	1.7	1	0.5	0.8
N	NR	176.8	3.7	1.9	0.6	186.5	1.7	138		172	188	5.1	1.7	1.5	0.5	1.52
								136.5		193.5				1		2.31
N	NR	193.65	5.69	3.5	0.6	212.9	3.1	139	148	191	215	8.4	3.1	2	0.5	3.16
								143		217				2.5		5.82
								146		264				3		15.3
N	NR	171.8	3.3	1.9	0.6	181.5	1.7	146.5		168.5	183	4.7	1.7	1	0.5	0.85
N	NR	186.8	3.7	1.9	0.6	196.5	1.7	148		182	198	5.1	1.7	1.5	0.5	1.62
								146.5		203.5				1		2.45
								149	158	201				2		3.35
								153		237				2.5		7.57
								156		284				3		18.5
N	NR	186.8	3.3	1.9	0.6	196.5	1.7	156.5		183.5	198	4.7	1.7	1	0.5	1.16
								159		201				2		2.47
								156.5		218.5				1		3.07
								161	169	214				2		4.08
								163		257				2.5		9.41
								166		304				3		22
N	NR	196.8	3.3	1.9	0.6	206.5	1.7	166.5		193.5	208	4.7	1.7	1	0.5	1.23
								169		211				2		2.61
								168		232				1.5		3.64
								171	183	229				2		5.05
								173		277				2.5		11.7
								176		324				3		26
								176.5		208.5				1		1.63
								179		221				2		2.74
								178		252				1.5		4.93
								181		249				2		6.76
								186		294				3		14.5
								186		344				3		30.7

② Sealed and shielded bearings are also available. ③ This dimension applies to sealed and shielded bearings. ④ Does not include bearings with snap rings.



Open Type

d 180 ~ 260mm

d	Boundary dimensions			Basic load ratings				Limiting speeds		Bearing numbers
	mm			dynamic	static	dynamic	static	rpm		
	D	B	r _{s min} ^①	C _r	C _{or}	C _r	C _{or}	grease open type	oil open type	
180	225	22	1.1	60.5	73.0	6,200	7,450	2,600	3,000	6836
	250	33	2	110	119	11,200	12,200	2,400	2,900	6936
	280	31	2	117	134	11,900	13,600	2,300	2,700	16036
	280	46	2.1	189	199	19,300	20,300	2,300	2,700	6036
	320	52	4	227	241	23,200	24,600	1,900	2,200	6236
	380	75	4	355	405	36,000	41,500	1,700	2,000	6336
190	240	24	1.5	73.0	88.0	7,450	9,000	2,400	2,900	6838
	260	33	2	113	127	11,500	13,000	2,300	2,700	6938
	290	31	2	134	156	13,700	15,900	2,100	2,500	16038
	290	46	2.1	197	215	20,100	21,900	2,100	2,500	6038
	340	55	4	255	281	26,000	28,700	1,800	2,100	6238
	400	78	5	355	415	36,000	42,500	1,600	1,900	6338
200	250	24	1.5	74.0	91.5	7,550	9,300	2,300	2,700	6840
	280	38	2.1	157	168	16,000	17,100	2,200	2,600	6940
	310	34	2	142	160	14,400	16,300	2,000	2,400	16040
	310	51	2.1	218	243	22,200	24,800	2,000	2,400	6040
	360	58	4	269	310	27,400	31,500	1,700	2,000	6240
	420	80	5	410	500	42,000	51,000	1,500	1,800	6340
220	270	24	1.5	76.5	98.0	7,800	10,000	2,100	2,400	6844
	300	38	2.1	160	180	16,400	18,400	2,000	2,300	6944
	340	37	2.1	181	216	18,500	22,000	1,800	2,200	16044
	340	56	3	241	289	24,600	29,400	1,800	2,200	6044
	400	65	4	297	365	30,500	37,000	1,500	1,800	6244
	460	88	5	410	520	42,000	53,000	1,400	1,600	6344
240	300	28	2	85.0	112	8,650	11,400	1,900	2,200	6848
	320	38	2.1	170	203	17,300	20,700	1,800	2,100	6948
	360	37	2.1	178	217	18,200	22,100	1,700	2,000	16048
	360	56	3	249	310	25,400	32,000	1,700	2,000	6048
260	320	28	2	87.0	120	8,900	12,200	1,700	2,000	6852
	360	46	2.1	222	280	22,600	28,500	1,600	1,900	6952
	400	44	3	227	299	23,200	30,500	1,500	1,800	16052
	400	65	4	291	375	29,700	38,500	1,500	1,800	6052

① Smallest allowable dimension for chamfer dimension r.

Equivalent bearing load dynamic

$$P_r = XF_r + YF_a$$

$\frac{F_a}{C_{or}}$	e	$\frac{F_a}{F_r} \leq e$		$\frac{F_a}{F_r} > e$	
		X	Y	X	Y
0.010	0.18				2.46
0.020	0.20				2.14
0.040	0.24				1.83
0.070	0.27				1.61
0.10	0.29	1	0	0.56	1.48
0.15	0.32				1.35
0.20	0.35				1.25
0.30	0.38				1.13
0.40	0.41				1.05
0.50	0.44				1.00

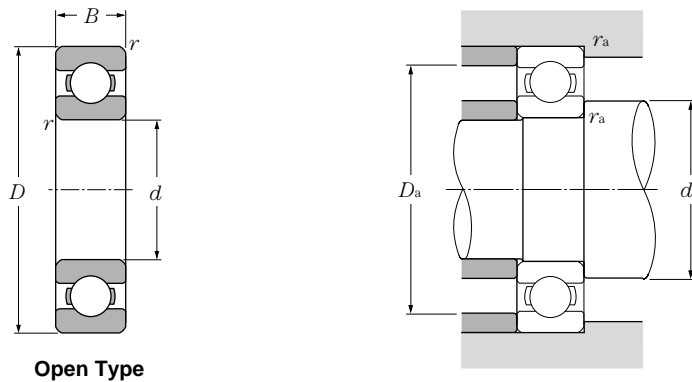
static

$$P_{or} = 0.6F_r + 0.5F_a$$

When $P_{or} < F_r$ use $P_{or} = F_r$

Abutment and fillet dimensions			Mass
mm			kg
d_a min	D_a max	r_{as} max	(approx.)
186.5	218.5	1	2.03
189	241	2	4.76
189	271	2	6.49
191	269	2	8.8
196	304	3	15.1
196	364	3	35.6
<hr/>			
198	232	1.5	2.62
199	251	2	4.98
199	281	2	6.77
201	279	2	9.18
206	324	3	18.2
210	380	4	41
<hr/>			
208	242	1.5	2.73
211	269	2	7.1
209	301	2	8.68
211	299	2	11.9
216	344	3	21.6
220	400	4	46.3
<hr/>			
228	262	1.5	3
231	289	2	7.69
231	329	2	11.3
233	327	2.5	15.7
236	384	3	30.2
240	440	4	60.8
<hr/>			
249	291	2	4.6
251	309	2	8.28
251	349	2	12.1
253	347	2.5	16.8
<hr/>			
269	311	2	5
271	349	2	13.9
273	387	2.5	18.5
276	384	3	25





Open Type

d 280 ~ 440mm

d	Boundary dimensions			Basic load ratings				Limiting speeds		Bearing numbers
	mm			dynamic	static	dynamic	static	rpm		
	D	B	r _{s min} ^①	C _r	C _{or}	C _r	C _{or}	grease open type	oil open type	
280	350	33	2	137	177	13,900	18,100	1,600	1,900	6856
	380	46	2.1	227	299	23,200	30,500	1,500	1,800	6956
	420	44	3	232	315	23,700	32,500	1,400	1,600	16056
	420	65	4	325	420	33,000	43,000	1,400	1,600	6056
300	380	38	2.1	162	210	16,500	21,500	1,500	1,700	6860
	420	56	3	276	375	28,200	38,500	1,400	1,600	6960
	460	50	4	292	410	29,800	42,000	1,300	1,500	16060
	460	74	4	355	480	36,000	49,000	1,300	1,500	6060
320	400	38	2.1	168	228	17,200	23,200	1,400	1,600	6864
	440	56	3	285	405	29,000	41,000	1,300	1,500	6964
	480	50	4	300	440	30,500	45,000	1,200	1,400	16064
	480	74	4	370	530	38,000	54,000	1,200	1,400	6064
340	420	38	2.1	170	236	17,400	24,000	1,300	1,500	6868
	460	56	3	293	430	29,800	44,000	1,200	1,400	6968
	520	57	4	340	515	35,000	52,500	1,100	1,300	16068
	520	82	5	420	610	42,500	62,500	1,100	1,300	6068
360	440	38	2.1	187	258	19,100	26,300	1,200	1,400	6872
	480	56	3	300	455	30,500	46,500	1,100	1,300	6972
	540	57	4	350	550	36,000	56,000	1,100	1,200	16072
	540	82	5	440	670	44,500	68,000	1,100	1,200	6072
380	480	46	2.1	231	340	23,600	34,500	1,100	1,300	6876
	520	65	4	325	510	33,000	52,000	1,100	1,200	6976
	560	82	5	455	725	46,500	74,000	990	1,200	6076
400	500	46	2.1	226	340	23,100	34,500	1,100	1,200	6880
	540	65	4	335	535	34,000	54,500	990	1,200	6980
	600	90	5	510	825	52,000	84,000	930	1,100	6080
420	520	46	2.1	260	405	26,500	41,500	1,000	1,200	6884
	560	65	4	340	560	35,000	57,000	940	1,100	6984
	620	90	5	530	895	54,000	91,000	880	1,000	6084
440	540	46	2.1	264	420	26,900	43,000	950	1,100	6888
	600	74	4	365	615	37,500	63,000	890	1,000	6988

① Smallest allowable dimension for chamfer dimension r.

Equivalent bearing load dynamic

$$P_r = XF_r + YF_a$$

$\frac{F_a}{C_{or}}$	e	$\frac{F_a}{F_r} \leq e$		$\frac{F_a}{F_r} > e$	
		X	Y	X	Y
		0.010	0.18		
0.020	0.20				2.14
0.040	0.24				1.83
0.070	0.27				1.61
0.10	0.29	1	0	0.56	1.48
0.15	0.32				1.35
0.20	0.35				1.25
0.30	0.38				1.13
0.40	0.41				1.05
0.50	0.44				1.00

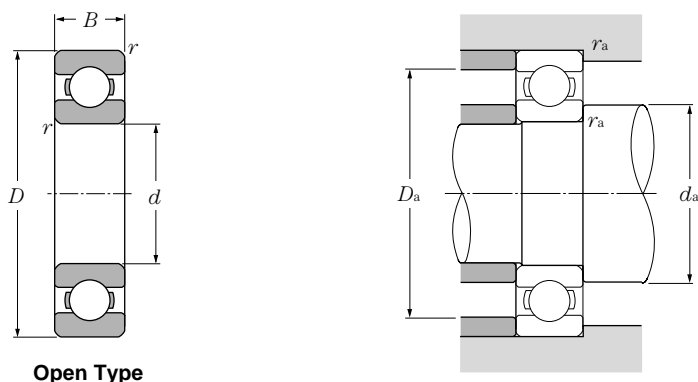
static

$$P_{or} = 0.6F_r + 0.5F_a$$

When $P_{or} < F_r$ use $P_{or} = F_r$

Abutment and fillet dimensions			Mass
mm			kg
d_a min	D_a max	r_{as} max	(approx.)
289	341	2	7.4
291	369	2	14.8
293	407	2.5	23
296	404	3	31
<hr/>			
311	369	2	10.5
313	407	2.5	23.5
316	444	3	32.5
316	444	3	43.8
<hr/>			
331	389	2	10.9
333	427	2.5	24.8
336	464	3	34.2
336	464	3	46.1
<hr/>			
351	409	2	11.5
353	447	2.5	26.2
356	504	3	47.1
360	500	4	61.8
<hr/>			
371	429	2	12.3
373	467	2.5	27.5
376	524	3	49.3
380	520	4	64.7
<hr/>			
391	469	2	19.7
396	504	3	39.8
400	540	4	67.5
<hr/>			
411	489	2	20.6
416	524	3	41.6
420	580	4	87.6
<hr/>			
431	509	2	21.6
436	544	3	43.4
440	600	4	91.1
<hr/>			
451	529	2	22.5
456	584	3	60





Open Type

d 460 ~ 600mm

d	Boundary dimensions			Basic load ratings				Limiting speeds		Bearing numbers
	mm			dynamic	static	dynamic	static	rpm		
	D	B	$r_{s\ min}^{\text{①}}$	C_r	C_{or}	C_r	C_{or}	grease open type	oil open type	
460	580	56	3	315	515	32,000	52,500	900	1,100	6892
	620	74	4	375	645	38,500	66,000	850	1,000	
480	600	56	3	320	540	32,500	55,000	860	1,000	6896
	650	78	5	430	770	44,000	78,500	810	950	
500	620	56	3	325	560	33,500	57,000	820	970	68/500
	670	78	5	445	805	45,500	82,500	770	910	
530	650	56	3	330	580	34,000	59,500	770	900	68/530
560	680	56	3	335	600	34,000	61,500	710	840	68/560
600	730	60	3	375	705	38,500	72,000	660	780	68/600

① Smallest allowable dimension for chamfer dimension r .

Equivalent bearing load dynamic

$$P_r = XF_r + YF_a$$

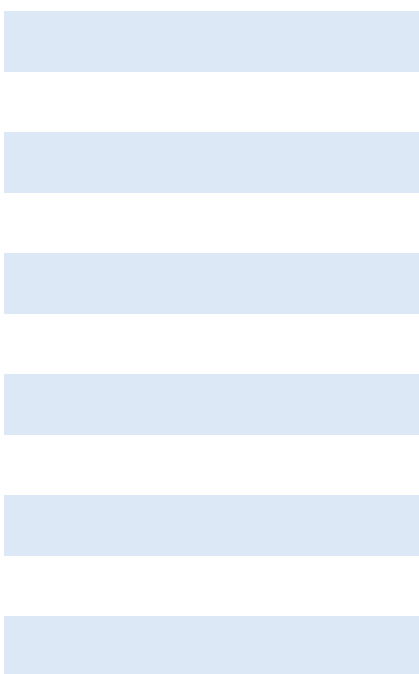
$\frac{F_a}{C_{or}}$	e	$\frac{F_a}{F_r} \leq e$		$\frac{F_a}{F_r} > e$	
		X	Y	X	Y
		0.010	0.18		
0.020	0.20				2.14
0.040	0.24				1.83
0.070	0.27				1.61
0.10	0.29	1	0	0.56	1.48
0.15	0.32				1.35
0.20	0.35				1.25
0.30	0.38				1.13
0.40	0.41				1.05
0.50	0.44				1.00

static

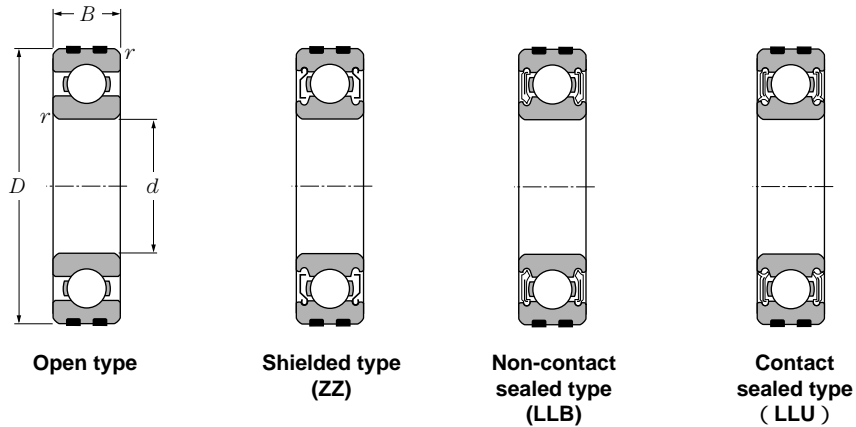
$$P_{or} = 0.6F_r + 0.5F_a$$

When $P_{or} < F_r$ use $P_{or} = F_r$

Abutment and fillet dimensions			Mass
mm			kg
d_a min	D_a max	r_{as} max	(approx.)
473	567	2.5	34.8
476	604	3	62.2
493	587	2.5	36.2
500	630	4	73.0
513	607	2.5	37.5
520	650	4	75.5
543	637	2.5	39.5
573	667	2.5	41.5
613	717	2.5	51.7



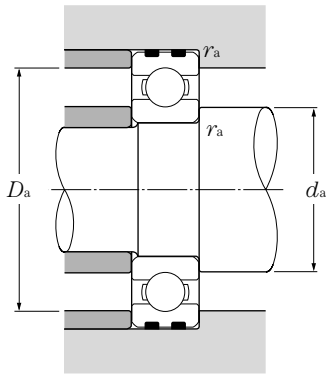
Expansion Compensating Bearings



d 10 ~50mm

d	Boundary dimensions			Basic load ratings				Allowable load		Limiting speeds			Bearing numbers			
	mm			dynamic	static	dynamic	static	kN	kgf	rpm	rpm	LU,LLU	open	sealed	non-	contact
	D	B	r _{s min} ^②	C _r	C _{or}	C _r	C _{or}	C _p	C _p	grease open type ZZ,LLB	oil open type Z,LB		type	type ^①	contact type	type ^①
10	26	8	0.3	4.55	1.96	465	200	1.65	168	29,000	34,000	21,000	EC-6000	ZZ	LLB	LLU
	30	9	0.6	5.10	2.39	520	244	2.39	244	25,000	30,000	18,000	EC-6200	ZZ	LLB	LLU
	35	11	0.6	8.20	3.50	835	355	3.45	355	23,000	27,000	16,000	EC-6300	ZZ	LLB	LLU
12	28	8	0.3	5.10	2.39	520	244	1.78	181	26,000	30,000	18,000	EC-6001	ZZ	LLB	LLU
	32	10	0.6	6.10	2.75	620	280	2.29	233	22,000	26,000	16,000	EC-6201	ZZ	LLB	LLU
	37	12	1	9.70	4.20	990	425	3.65	375	20,000	24,000	15,000	EC-6301	ZZ	LLB	LLU
15	32	9	0.3	5.60	2.83	570	289	2.83	289	22,000	26,000	15,000	EC-6002	ZZ	LLB	LLU
	35	11	0.6	7.75	3.60	790	365	2.78	284	19,000	23,000	15,000	EC-6202	ZZ	LLB	LLU
	42	13	1	11.4	5.45	1,170	555	4.40	450	17,000	21,000	12,000	EC-6302	ZZ	LLB	LLU
17	35	10	0.3	6.80	3.35	695	345	2.88	294	20,000	24,000	14,000	EC-6003	ZZ	LLB	LLU
	40	12	0.6	9.60	4.60	980	465	3.45	350	18,000	21,000	12,000	EC-6203	ZZ	LLB	LLU
	47	14	1	13.5	6.55	1,380	665	6.55	665	16,000	19,000	11,000	EC-6303	ZZ	LLB	LLU
20	42	12	0.6	9.40	5.05	955	515	5.05	515	18,000	21,000	11,000	EC-6004	ZZ	LLB	LLU
	47	14	1	12.8	6.65	1,310	680	6.55	515	16,000	18,000	10,000	EC-6204	ZZ	LLB	LLU
	52	15	1.1	15.9	7.90	1,620	805	7.90	805	14,000	17,000	10,000	EC-6304	ZZ	LLB	LLU
25	47	12	0.6	10.1	5.85	1,030	595	5.85	595	15,000	18,000	9,400	EC-6005	ZZ	LLB	LLU
	52	15	1	14.0	7.85	1,430	800	6.55	665	13,000	15,000	8,900	EC-6205	ZZ	LLB	LLU
	62	17	1.1	21.2	10.9	2,160	1,110	10.9	1,110	12,000	14,000	8,100	EC-6305	ZZ	LLB	LLU
30	55	13	1	13.2	8.30	1,350	845	8.30	845	13,000	15,000	7,700	EC-6006	ZZ	LLB	LLU
	62	16	1	19.5	11.3	1,980	1,150	9.85	1,000	11,000	13,000	7,300	EC-6206	ZZ	LLB	LLU
	72	19	1.1	26.7	15.0	2,720	1,530	15.0	1,530	10,000	12,000	6,600	EC-6306	ZZ	LLB	LLU
35	62	14	1	16.0	10.3	1,630	1,050	10.3	1,050	12,000	14,000	6,800	EC-6007	ZZ	LLB	LLU
	72	17	1.1	25.7	15.3	2,620	1,560	14.5	1,480	9,800	11,000	6,300	EC-6207	ZZ	LLB	LLU
	80	21	1.5	33.5	19.1	3,400	1,950	18.5	1,890	8,800	10,000	6,000	EC-6307	ZZ	LLB	LLU
40	68	15	1	16.8	11.5	1,710	1,170	11.5	1,170	10,000	12,000	6,100	EC-6008	ZZ	LLB	LLU
	80	18	1.1	29.1	17.8	2,970	1,820	17.5	1,780	8,700	10,000	5,600	EC-6208	ZZ	LLB	LLU
	90	23	1.5	40.5	24.0	4,150	2,450	23.4	2,380	7,800	9,200	5,300	EC-6308	ZZ	LLB	LLU
45	75	16	1	21.0	15.1	2,140	1,540	15.1	1,540	9,200	11,000	5,400	EC-6009	ZZ	LLB	LLU
	85	19	1.1	32.5	20.4	3,350	2,080	16.2	1,660	7,800	9,200	5,200	EC-6209	ZZ	LLB	LLU
	100	25	1.5	53.0	32.0	5,400	3,250	27.4	2,790	7,000	8,200	4,700	EC-6309	ZZ	LLB	LLU
50	80	16	1	21.8	16.6	2,230	1,690	16.6	1,690	8,400	9,800	5,000	EC-6010	ZZ	LLB	LLU
	90	20	1.1	35.0	23.2	3,600	2,370	22.2	2,270	7,100	8,300	4,700	EC-6210	ZZ	LLB	LLU
	110	27	2	62.0	38.5	6,300	3,900	33.0	3,350	6,400	7,500	4,200	EC-6310	ZZ	LLB	LLU

① This bearing number is for double sealed and double shielded type bearings, but single sealed and single shielded type are also available. ② Smallest allowable dimension for chamfer dimension r.



Equivalent bearing load

dynamic

$$P_r = X F_r + Y F_a$$

$\frac{F_a}{C_{or}}$	e	$\frac{F_a}{F_r}$		$\frac{F_a}{F_r} > e$	
		X	Y	X	Y
0.010	0.18				2.46
0.020	0.20				2.14
0.040	0.24				1.83
0.070	0.27				1.61
0.10	0.29				1.48
0.15	0.32	1	0	0.56	1.35
0.20	0.35				1.25
0.30	0.38				1.13
0.40	0.41				1.05
0.50	0.44				1.00

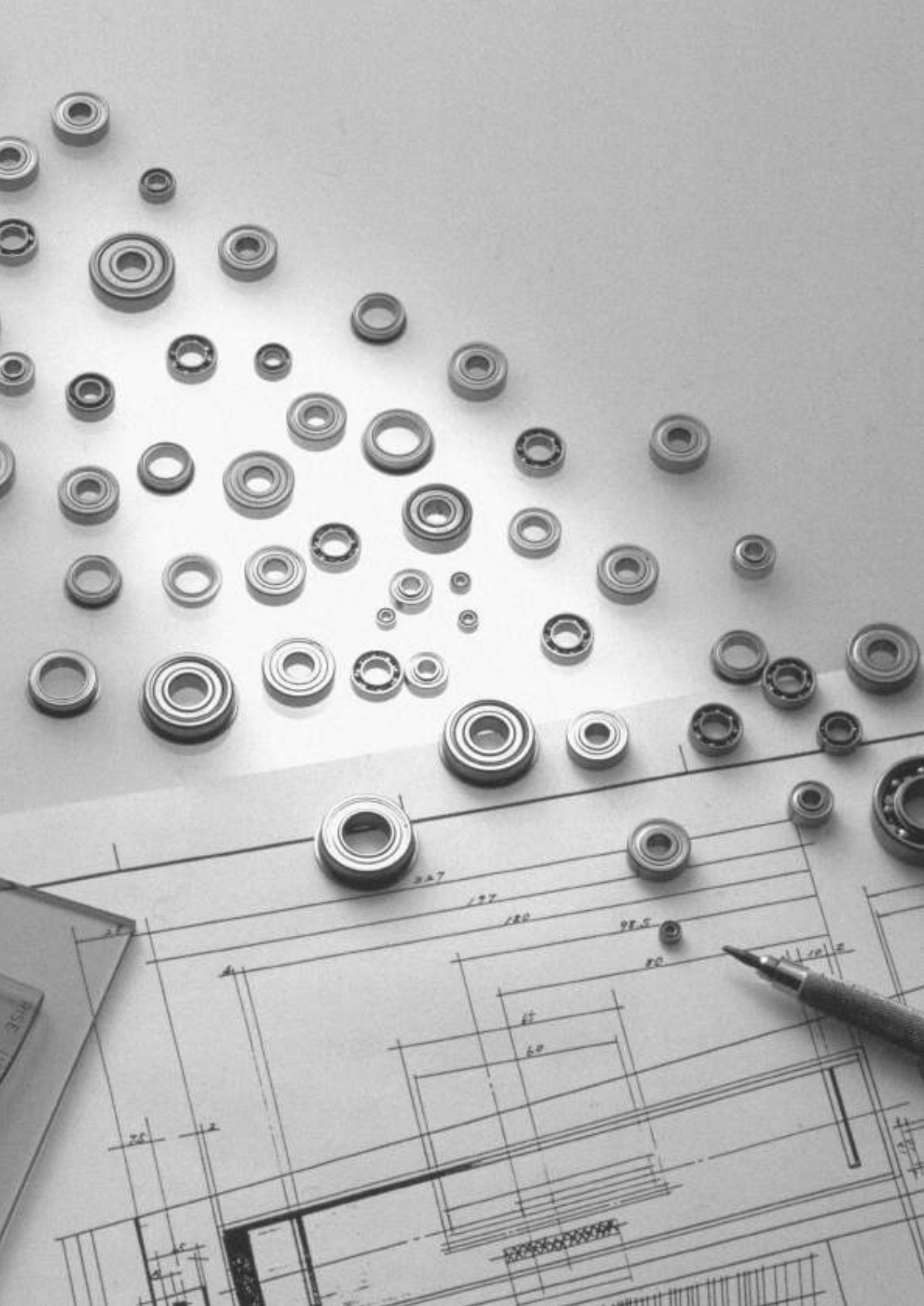
static

$$P_{or} = 0.6 F_r + 0.5 F_a$$

When $P_{or} < F_r$ use $P_{or} = F_r$

Abutment and fillet dimensions mm				Mass kg
d_a min	d_a max ^③	D_a max	r_{as} max	open type i approx. j
12	13.5	24	0.3	0.019
14	16	26	0.6	0.031
14	17	31	0.6	0.051
14	16	26	0.3	0.021
16	17.5	28	0.6	0.036
17	18.5	32	1	0.058
17	19	30	0.3	0.029
19	20.5	31	0.6	0.043
20	23	37	1	0.079
19	21	33	0.3	0.037
21	23	36	0.6	0.062
22	25	42	1	0.11
24	26	38	0.6	0.066
25	28	42	1	0.101
26.5	28.5	45.5	1	0.139
29	30.5	43	0.6	0.075
30	32	47	1	0.122
31.5	35	55.5	1	0.223
35	37	50	1	0.11
35	39	57	1	0.191
36.5	43	65.5	1	0.334
40	42	57	1	0.148
41.5	45	65.5	1	0.277
43	47	72	1.5	0.44
45	47	63	1	0.183
46.5	51	73.5	1	0.352
48	54	82	1.5	0.609
50	52.5	70	1	0.233
51.5	55.5	78.5	1	0.391
53	61.5	92	1.5	0.80
55	57.5	75	1	0.246
56.5	60	83.5	1	0.444
59	68.5	101	2	1.03

③ This dimension applies to sealed and shielded bearings.





1. Design features and special characteristics

The dimensional range of miniature and extra small ball bearings is given in **Table 1**. Boundary dimensions for both metric and inch systems are in accordance with the internationally specified ISO and ANSI/ABMA standards. The most widely used sealed and shielded type ball bearings have a 1–2 mm wider width dimension than open type bearings.

The main variations of these bearings are shown in **Table 2**. Bearings with snap rings, which simplify the bearing housing construction and design, have also been serialized and are listed in dimension tables. Among the most generally used sealed and shielded bearings are standard ZZ and ZZA type which incorporate non-contact steel shield plates.

Diagram 1 also shows non-contact type rubber sealed LLB and resin sealed SSA type bearings, and the contact-type rubber sealed LLU bearing.

Table 1 Dimensional range

Bearing	Dimensional range
Miniature ball bearings	Nominal outer diameter $D < 9\text{mm}$
Extra small ball bearings	Nominal bore diameter $d < 10\text{mm}$ Nominal outer diameter $D \geq 9\text{mm}$

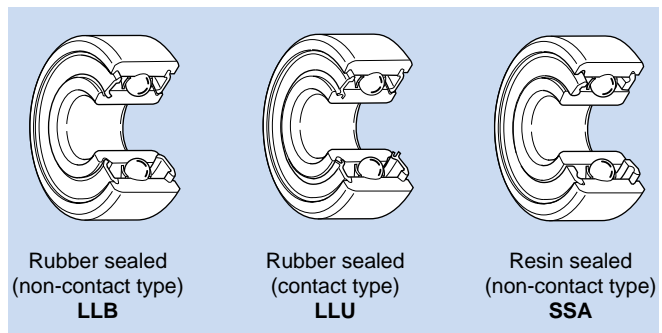


Diagram 1.

Table 2 Main types and construction

Type	Standard type code			Flange-attached type code		
	Construction	Metric system	Inch system	Construction	Metric system	Inch system
Open type		6 BC	R		FL6 FLBC	FLR
Shielded type		6 x x ZZ W6 x x ZZ WBC x x x ZZ	RA x x ZZ		FL6 x x x ZZ FLW6 x x x ZZ FLWBC x x ZZ	FLRA x x ZZ

Note: 1. Representative type codes are shown. For further details, please refer to dimension tables.

2. For shielded type bearings, there are instances where ZA may change to SA depending on the bearing number.

2. Standard cage types

Pressed cages are standard for these bearings. However, molded resin cages are used for some bearings depending on the application.

3. Dimensional and rotational accuracy

The accuracy of miniature and small ball bearings complies with JIS standards. Accuracy standards are listed in the Bearings Accuracy clause on page A-31. Flange accuracies are listed in **Table 3**.

Table 3 Accuracy of outer ring flanges

Units μm

Accuracy class		Outer diameter dimensional tolerance		Outside cylindrical surface runout relative to back face S_{D1} Max.	Back face axial runout S_{ea1} Max.	Width dimension tolerance		Width unevenness V_{C1S} or V_{C2S} Max.
		Δ_{D1S} or Δ_{D2S} Above	Below			Δ_{C1S} or Δ_{C2S} Above	Below	
ISO standard	Class 0	*	(see table below)			Identical to same bearing's inner ring V_{BS}	Identical to same bearing's inner ring V_{BS}	
	Class 6						Identical to same bearing's inner ring V_{BS}	
	Class 5			8	11		Identical to same bearing's inner ring V_{BS}	
	Class 4			4	7		Identical to same bearing's inner ring V_{BS}	
	Class 2			1.5	3 ^① 4		Identical to same bearing's inner ring V_{BS}	

① Nominal outer diameter, 18 mm or less.

* Units μm

Flange nominal outer diameter D_1 or D_2 mm		Outer diameter dimensional tolerance Δ_{D1S} or Δ_{D2S}	
over up to	incl.	Above	Below
	10	+ 220	- 36
10	18	+ 270	- 43
18	30	+ 330	- 52
30	50	+ 390	- 62

4. Radial internal clearance

Radial internal clearance values should be applied as listed in the table regarding the Bearing Internal Clearance and Preload clause on page A-54.

However, for miniature and extra small bearings, the radial clearance values for high precision bearings given in **Table 4**

are applied in many cases.

For more specific selection information, please refer to the **NTN Miniature and Extra Small Ball Bearings Catalog**, or contact **NTN Engineering**.

Table 4 Radial internal clearance for high precision bearings

Units μm

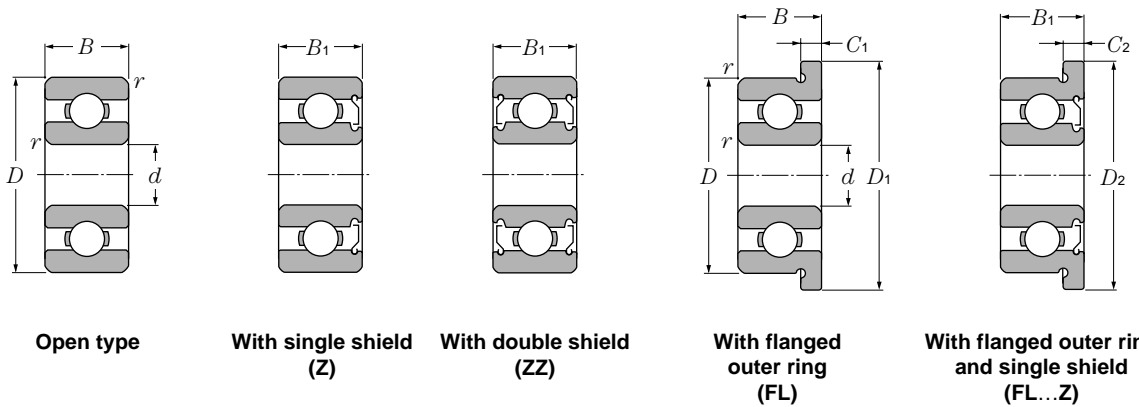
MIL Standard	Tight				Standard						Loose		Extra Loose	
	C2S		CNS		CNM		CNL		C3S		C3M		C3L	
Code	Min.	Max.	Min.	Max.	Min.	Max.	Min.	Max.	Min.	Max.	Min.	Max.	Min.	Max.
Internal clearance	0	5	3	8	5	10	8	13	10	15	13	20	20	28

Note: 1. These standards are specified in accordance with MIL 23063. However, **NTN** codes are shown.
 2. Clearance values do not include compensation for measuring load.



Miniature and Extra Small Ball Bearings

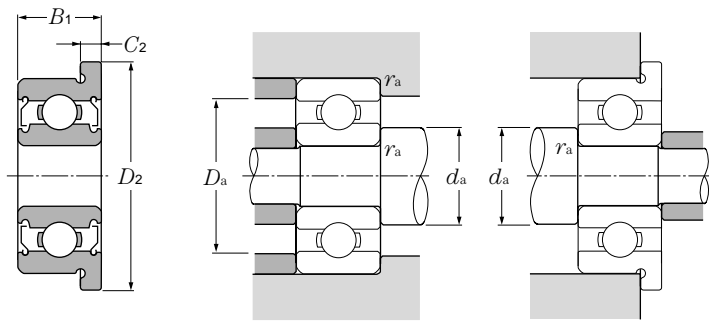
Metric system sizes



d 1.5 ~ 5mm

d	Boundary dimensions								Basic load ratings				Limiting speeds	
	D	B	B ₁	mm		C ₁	C ₂	r _{s min} ^①	dynamic	static	dynamic	static	rpm	rpm
				D ₁	D ₂				N	C _{or}	kgf	C _{or}		
1.5	4	1.2	2	5	5	0.4	0.6	0.15	102	29.0	10.0	3.00	88,000	100,000
	5	2	2.6	6.5	6.5	0.6	0.8	0.15	171	51.0	17.0	5.00	79,000	93,000
	6	2.5	3	7.5	7.5	0.6	0.8	0.15	274	86.0	28.0	9.00	71,000	84,000
2	4	1.2	2					0.05	104	37.0	11.0	4.00	83,000	98,000
	5	1.5	2.3	6.1	6.1	0.5	0.6	0.08	171	51.0	17.0	5.00	74,000	87,000
	5	2	2.5					0.1	171	51.0	17.0	5.00	74,000	87,000
	6	2.3	3	7.5	7.5	0.6	0.8	0.15	279	89.0	28.0	9.00	67,000	79,000
	6	2.5		7.2		0.6		0.15	279	89.0	28.0	9.00	67,000	79,000
	7	2.5						0.15	390	120	40.0	12.0	59,000	70,000
2.5	7	2.8	3.5	8.5	8.5	0.7	0.9	0.15	380	125	39.0	13.0	62,000	73,000
	5	1.5	2.3					0.08	153	59.0	16.0	6.00	70,000	82,000
	6	1.8	2.6	7.1	7.1	0.5	0.8	0.08	209	73.0	21.0	7.50	65,000	76,000
	7	3	3		8.2		0.6	0.15	284	96.0	29.0	10.0	59,000	70,000
	7	2.5	3.5	8.5	8.5	0.7	0.9	0.15	284	96.0	29.0	10.0	59,000	70,000
	8	2.5	2.8	9.2		0.6		0.15	430	152	44.0	16.0	56,000	66,000
3	8	2.8	4	9.5	9.5	0.7	0.9	0.15	550	174	56.0	18.0	56,000	66,000
	6	2	2.5	7.2	7.2	0.6	0.6	0.08	242	94.0	25.0	9.50	60,000	71,000
	7	2	3	8.1	8.1	0.5	0.8	0.1	390	130	40.0	13.0	58,000	68,000
	8	2.5		9.2		0.6		0.15	560	180	57.0	18.0	54,000	63,000
	8	3	4	9.5	9.5	0.7	0.9	0.15	560	180	57.0	18.0	54,000	63,000
	9	2.5	4	10.2	10.6	0.6	0.8	0.15	635	219	65.0	22.0	50,000	59,000
4	9	3	5	10.5	10.5	0.7	1	0.15	635	219	65.0	22.0	50,000	59,000
	10	4	4	11.5	11.5	1	1	0.15	640	224	65.0	23.0	50,000	58,000
	7	2	2.5	8.2	8.2	0.6	0.6	0.08	222	88.0	23.0	9.00	54,000	63,000
	8	2	3	9.2	9.2	0.6	0.6	0.08	395	140	40.0	14.0	52,000	61,000
	9	2.5	4	10.3	10.3	0.6	1	0.15	640	224	65.0	23.0	49,000	57,000
	10	3	4	11.2	11.6	0.6	0.8	0.15	650	235	66.0	24.0	46,000	55,000
5	11	4	4	12.5	12.5	1	1	0.15	715	276	73.0	28.0	45,000	52,000
	12	4	4	13.5	13.5	1	1	0.2	970	360	99.0	36.0	43,000	51,000
	13	5	5	15	15	1	1	0.2	1,310	490	134	50.0	42,000	49,000
	16	5	5					0.3	1,760	680	179	69.0	37,000	44,000
	8	2	2.5	9.2	9.2	0.6	0.6	0.08	217	91.0	22.0	9.50	49,000	57,000
	9	2.5	3	10.2	10.2	0.6	0.6	0.15	500	211	51.0	21.0	46,000	55,000
5	10	3	4	11.2	11.6	0.6	0.8	0.15	715	276	73.0	28.0	45,000	52,000

① Smallest allowable dimension for chamfer dimension r.



With flanged outer ring and double shield (FL...ZZ)

Equivalent bearing load dynamic

$$P_r = XF_r + YF_a$$

$\frac{F_a}{C_{or}}$	e	$\frac{F_a}{F_r} \leq e$		$\frac{F_a}{F_r} > e$	
		X	Y	X	Y
0.010	0.18				2.46
0.020	0.20				2.14
0.040	0.24				1.83
0.070	0.27	1	0	0.56	1.61
0.10	0.29				1.48
0.15	0.32				1.35
0.20	0.35				1.25
0.30	0.38				1.13

static

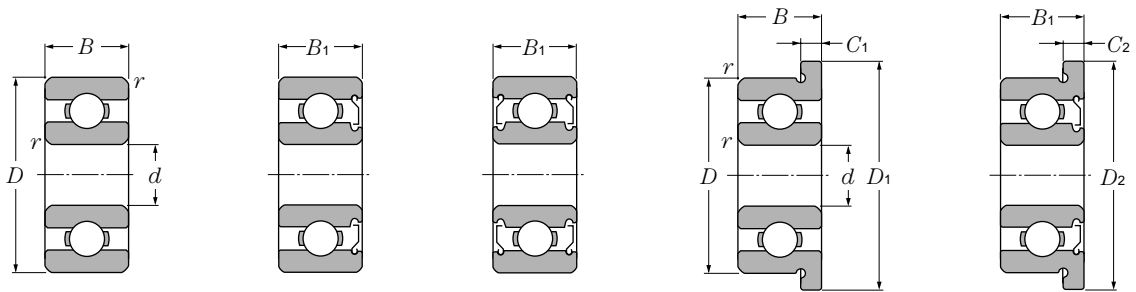
$$P_{or} = 0.6F_r + 0.5F_a$$

When $P_{or} < F_r$ use $P_{or} = F_r$

Bearing numbers						Abutment and fillet dimensions				Mass (approx.)	
open	with single shield	with double shield	with flanged outer ring	with flanged OR and single shield	with flanged OR and double shield	mm				g	
						d_a min	d_a max ^②	D_a max	r_{as} max	open	with flanged outer ring
68/1.5	W68/1.5SA	SSA	FL68/1.5	FLW68/1.5SA	SSA	2.3	2.4	3.2	0.05	0.07	0.09
69/1.5A	W69/1.5ASA	SSA	FL69/1.5A	FLW69/1.5ASA	SSA	2.7	2.9	3.8	0.15	0.18	0.24
60/1.5	W60/1.5ZA	ZZA	FL60/1.5	FLW60/1.5ZA	ZZA	2.7	3.0	4.8	0.15	0.35	0.42
672						2.5	2.6	3.5	0.05	0.06	
682	W682SA	SSA	FL682	FLW682SA	SSA	2.8	2.9	4.2	0.08	0.13	0.17
BC2-5	WBC2-5SA	SSA				2.8	2.9	4.2	0.10	0.16	
692	W692SA	SSA	FL692	FLW692SA	SSA	3.2	3.3	4.8	0.15	0.31	0.38
BC2-6			FLBC2-6			3.2	3.3	4.8	0.15	0.32	0.38
BC2-7A						3.2	3.6	5.8	0.15	0.44	
602	W602ZA	ZZA	FL602	FLW602ZA	ZZA	3.2	3.7	5.8	0.15	0.54	0.64
67/2.5	W67/2.5ZA	ZZA				3.1	3.3	4.4	0.08	0.11	
68/2.5	W68/2.5ZA	ZZA	FL68/2.5	FLW68/2.5ZA	ZZA	3.1	3.6	4.8	0.08	0.22	0.26
	WBC2.5-7ZA	ZZA		FLWBC2.5-7ZA	ZZA	3.7	4.0	5.8	0.15	0.6 ^③	0.67 ^③
69/2.5	W69/2.5SA	SSA	FL69/2.5	FLW69/2.5SA	SSA	3.7	4.0	5.8	0.15	0.43	0.53
BC2.5-8	WBC2.5-8ZA	ZZA	FLBC2.5-8			3.7	4.3	6.8	0.15	0.57	0.65
60/2.5	W60/2.5ZA	ZZA	FL60/2.5	FLW60/2.5ZA	ZZA	3.7	4.1	6.8	0.15	0.72	0.83
673	WA673SA	SSA	FL673	FLWA673SA	SSA	3.6	4.1	5.4	0.08	0.2	0.26
683	W683ZA	ZZA	FL683	FLW683ZA	ZZA	3.9	4.1	5.8	0.1	0.33	0.38
BC3-8			FLBC3-8			4.2	4.4	6.8	0.15	0.52	0.6
693	W693Z	ZZ	FL693	FLW693Z	ZZ	4.2	4.4	6.8	0.15	0.61	0.72
BC3-9	WBC3-9ZA	ZZA	FLBC3-9	FLAWBC3-9ZA	ZZA	4.2	5.0	7.8	0.15	0.71	0.79
603	W603ZA	ZZA	FL603	FLW603ZA	ZZA	4.2	5.0	7.8	0.15	0.92	1
623	623ZA	ZZA	FL623	FL623ZA	ZZA	4.2	5.2	8.8	0.15	1.6	1.8
674A	WA674ASA	SSA	FL674A	FLWA674ASA	SSA	4.6	5.0	6.4	0.08	0.28	0.35
BC4-8	WBC4-8Z	ZZ	FLBC4-8	FLWBC4-8Z	ZZ	4.8	5.0	6.8	0.08	0.38	0.46
684AX50	W684AX50Z	ZZ	FL684AX50	FLW684AX50Z	ZZ	5.0	5.2	7.8	0.1	0.67	0.76
BC4-10	WBC4-10Z	ZZ	FLBC4-10	FLAWBC4-10Z	ZZ	5.2	6.0	8.8	0.15	1	1.1
694	694Z	ZZ	FL694	FL694Z	ZZ	5.2	6.4	9.8	0.15	1.8	2
604	604Z	ZZ	FL604	FL604Z	ZZ	5.6	6.6	10.4	0.2	2.1	2.3
624	624Z	ZZ	FL624	FL624Z	ZZ	5.6	6.2	11.4	0.2	3.2	3.5
634	634Z	ZZ				6	7.6	14	0.3	5.1	
675	WA675Z	ZZ	FL675	FLWA675Z	ZZ	5.6	6.0	7.4	0.08	0.32	0.4
BC5-9	WBC5-9ZA	ZZA	FLBC5-9	FLWBC5-9ZA	ZZA	5.2	6.1	7.8	0.15	0.55	0.63
BC5-10	WBC5-10Z	ZZ	FLBC5-10	FLAWBC5-10Z	ZZ	6.2	6.4	8.8	0.15	0.88	0.97

② This dimension applies to sealed and shielded bearings.

③ Values for double shielded bearings shown



Open type

With single shield (Z)

With double shield (ZZ)

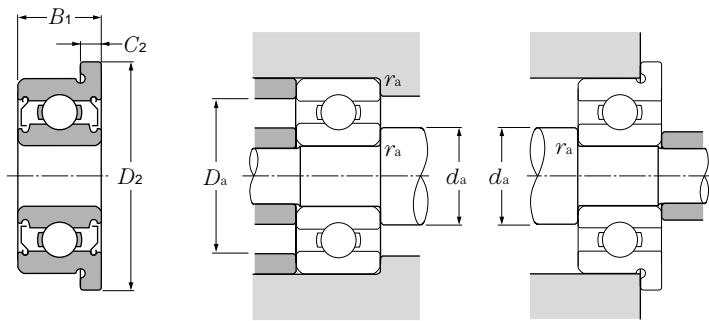
With flanged outer ring (FL)

With flanged outer ring and single shield (FL...Z)

d 5 ~ 9mm

d	Boundary dimensions								Basic load ratings				Limiting speeds	
	D	B	B ₁	mm		C ₁	C ₂	r _{s min} ^①	dynamic	static	dynamic	static	rpm	
				D ₁	D ₂				C _r	C _{or}	C _r	C _{or}	grease	oil
5	11	4	4		12.6		0.8	0.15	715	282	73.0	29.0	43,000	51,000
	11	3	5	12.5	12.5	0.8	1	0.15	715	282	73.0	29.0	43,000	51,000
	13	4	4	15	15.2	1	1	0.2	1,080	430	110	44.0	40,000	47,000
	13	5	5		15		1	0.2	1,080	430	110	44.0	40,000	47,000
	14	5	5	16	16	1	1	0.2	1,330	505	135	52.0	39,000	46,000
	16	5	5	18	18	1	1	0.3	1,760	680	179	69.0	37,000	44,000
	19	6	6					0.3	2,340	885	238	90.0	34,000	40,000
6	10	2.5	3	11.2	11.2	0.6	0.6	0.1	465	196	47.0	20.0	43,000	51,000
	12	3	4	13.2	13.6	0.6	0.8	0.15	830	365	85.0	37.0	40,000	47,000
	13	3.5	5	15	15.2	1.0	1.1	0.15	1,080	440	110	45.0	39,000	46,000
	15	5	5	17	17	1.2	1.2	0.2	1,350	530	137	54.0	37,000	44,000
	16	6	6					0.2	1,770	695	181	71.0	36,000	42,000
	17	6	6	19	19	1.2	1.2	0.3	2,190	865	224	88.0	35,000	42,000
	19	6	6	22	22	1.5	1.5	0.3	2,340	885	238	90.0	34,000	40,000
7	11	2.5	3	12.2	12.2	0.6	0.6	0.1	555	269	56.0	27.0	40,000	47,000
	13	3	4	14.2	14.6	0.6	0.8	0.15	825	375	84.0	38.0	38,000	45,000
	14	3.5	5	16	16	1	1.1	0.15	1,170	505	120	51.0	37,000	44,000
	17	5	5	19	19	1.2	1.2	0.3	1,610	715	164	73.0	35,000	41,000
	19	6	6					0.3	2,240	910	228	93.0	34,000	40,000
	22	7	7					0.3	3,350	1,400	340	142	32,000	37,000
8	12	2.5	3.5	13.2	13.6	0.6	0.8	0.1	515	252	52.0	26.0	38,000	45,000
	14	3.5	4	15.6	15.6	0.8	0.8	0.15	820	385	84.0	39.0	36,000	43,000
	16	4	5	18	18	1	1.1	0.2	1,610	715	164	73.0	35,000	41,000
	19	6	6	22	22	1.5	1.50	0.3	1,990	865	202	88.0	33,000	39,000
	22	7	7	25	25	1.5	1.50	0.3	3,350	1,400	340	142	32,000	37,000
	24	8	8					0.3	4,000	1,590	410	162	31,000	36,000
9	14	3	4.5					0.1	920	465	94.0	48.0	36,000	42,000
	17	4	5	19	19	1	1.1	0.2	1,720	820	176	83.0	33,000	39,000
	20	6	6					0.3	2,480	1,090	253	111	32,000	38,000
	24	7	7					0.3	3,400	1,450	345	148	31,000	36,000
	26	8	8					0.6	4,550	1,960	465	200	30,000	35,000

① Smallest allowable dimension for chamfer dimension r.



With flanged outer ring and double shield (FL...ZZ)

Equivalent bearing load dynamic

$$P_r = XF_r + YF_a$$

$\frac{F_a}{C_{or}}$	e	$\frac{F_a}{F_r} \leq e$		$\frac{F_a}{F_r} > e$	
		X	Y	X	Y
0.010	0.18	1	0	0.56	2.46
0.020	0.20				2.14
0.040	0.24				1.83
0.070	0.27				1.61
0.10	0.29				1.48
0.15	0.32				1.35
0.20	0.35				1.25
0.30	0.38				1.13

static

$$P_{or} = 0.6F_r + 0.5F_a$$

When $P_{or} < F_r$ use $P_{or} = F_r$

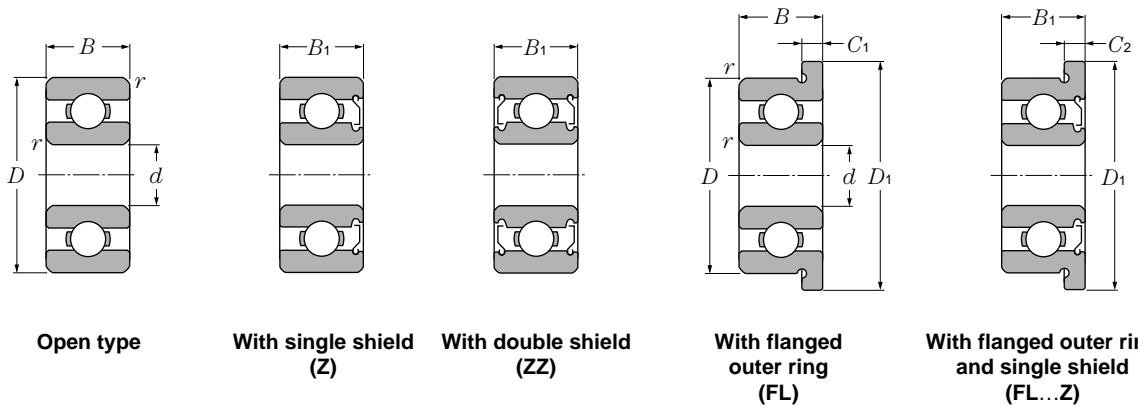
Bearing numbers						Abutment and fillet dimensions				Mass (approx.)	
open	with single shield	with double shield	with flanged outer ring	with flanged OR and single shield	with flanged OR and double shield	mm				open	with flanged outer ring
						d_a min	d_a max ^②	D_a max	r_{as} max		
-	WBC5-11Z	ZZ		FLWBC5-11Z	ZZ	6.2	6.8	9.8	0.2	1.8	2
685	W685Z	ZZ	FL685	FLW685Z	ZZ	6.2	6.8	9.8	0.15	1.1	1.3
695	695Z	ZZ	FL695	FL695Z	ZZ	6.6	6.9	11.4	0.2	2.4	2.7
-	WBC5-13Z	ZZ		FLWBC5-13Z	ZZ	6.6	6.9	11.4	0.2	3.4 ^③	3.7 ^③
605	605Z	ZZ	FL605	FL605Z	ZZ	6.6	7.4	12.4	0.2	3.5	3.9
625	625Z	ZZ	FL625	FL625Z	ZZ	7	7.6	14	0.3	4.8	5.2
635	635Z	ZZ				7	9.5	17	0.3	8	
676A	WA676AZ	ZZ	FL676A	FLWA676AZ	ZZ	6.6	6.7	9.2	0.1	0.65	0.74
BC6-12	WBC6-12Z	ZZ	FLBC6-12	FLAWBC6-12Z	ZZ	7.2	7.9	10.8	0.15	1.3	1.4
686	W686Z	ZZ	FL686	FLW686Z	ZZ	7.0	7.2	11.8	0.15	1.9	2.2
696	696Z	ZZ	FL696	FL696Z	ZZ	7.6	7.8	13.4	0.2	3.8	4.3
BC6-16A	BC6-16AZ	ZZ				7.6	8.0	14.4	0.2	5.2	
606	606Z	ZZ	FL606	FL606Z	ZZ	8	8.6	15	0.3	6	6.5
626	626Z	ZZ	FL626	FL626Z	ZZ	8	9.5	17	0.3	8.1	9.2
677	WA677ZA	ZZA	FL677	FLWA677ZA	ZZA	7.8	8.1	10.2	0.1	0.67	0.77
BC7-13	WBC7-13ZA	ZZA	FLBC7-13	FLAWBC7-13ZA	ZZA	8.2	8.9	11.8	0.15	1.4	1.5
687A	W687AZ	ZZ	FL687A	FLW687AZ	ZZ	8.2	8.7	12.8	0.15	2.1	2.4
697	697Z	ZZ	FL697	FL697Z	ZZ	9	10.0	15	0.3	5.2	5.7
607	607Z	ZZ				9	10.4	17	0.3	8	
627	627Z	ZZ				9	12.2	20	0.3	13	
678A	W678AZ	ZZ	FL678A	FLAW678AZ	ZZ	8.8	9.1	11.2	0.1	0.75	0.86
BC8-14	WBC8-14Z	ZZ	FLBC8-14	FLWBC8-14Z	ZZ	9.2	9.5	12.8	0.15	1.8	1.9
688A	W688AZ	ZZ	FL688A	FLW688AZ	ZZ	9.6	10.0	14.4	0.2	3.1	3.5
698	698Z	ZZ	FL698	FL698Z	ZZ	10	10.6	17	0.3	7.3	8.4
608	608Z	ZZ	FL608	FL608Z	ZZ	10	12.2	20	0.3	12	13
628	628Z	ZZ				10	12.1	22	0.3	17	
679	W679ZA	ZZA				9.8	10.4	13.2	0.1	1.4	
689	W689Z	ZZ	FL689	FLW689Z	ZZ	10.6	10.7	15.4	0.2	3.2	3.6
699	699Z	ZZ	-	-	-	11	11.6	18	0.3	8.2	
609	609Z	ZZ	-	-	-	11	13.1	22	0.3	14	
629X50	629X50Z	ZZ	-	-	-	13	13.9	22	0.3	20	

② This dimension applies to sealed and shielded bearings.

③ Values for double shielded bearings shown.

Miniature and Extra Small Ball Bearings

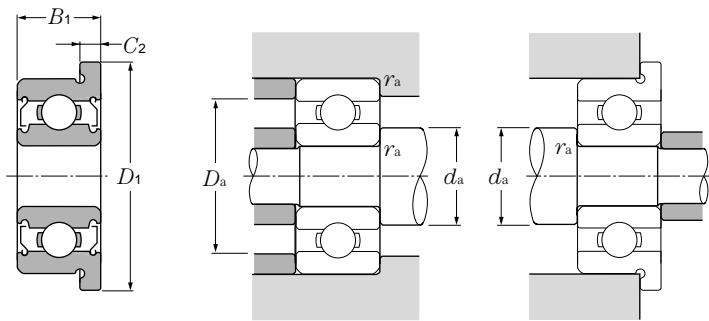
Inch system sizes



d 1.984 ~ 9.525mm

d	Boundary dimensions							Basic load ratings				Limiting speeds	
	D	B	B ₁	mm			r _{s min} ^①	dynamic	static	dynamic	static	rpm	
				D ₁	C ₁	C ₂		N	C _{or}	C _r	C _{or}	kgf	grease
1.984	6.35	2.38	3.571	7.52	0.58	0.79	0.08	279	89.0	28	9	67,000	79,000
2.380	4.762	1.588	2.38	5.94	0.46	0.79	0.08	124	42.0	13	4.5	73,000	85,000
	7.938	2.779	3.571	9.12	0.58	0.79	0.13	430	152	44	16	56,000	66,000
3.175	6.35	2.38	2.779	7.52	0.58	0.79	0.08	284	96.0	29	10	59,000	70,000
	7.938	2.779	3.571	9.12	0.58	0.79	0.08	560	180	57	18	54,000	63,000
	9.525	2.779	3.571	10.72	0.53	0.79	0.13	640	224	65	23	49,000	58,000
	9.525	3.967	3.967	11.18	0.76	0.76	0.3	640	224	65	23	49,000	58,000
	12.7	4.366	4.366				0.3	1,150	395	117	40	43,000	51,000
3.967	7.938	2.779	3.175	9.12	0.58	0.91	0.08	335	133	34	14	51,000	60,000
4.762	7.938	2.779	3.175	9.12	0.58	0.91	0.08	395	143	40	15	49,000	58,000
	9.525	3.175	3.175	10.72	0.58	0.79	0.08	710	268	72	27	46,000	55,000
	12.7	3.967					0.3	1,310	490	134	50	41,000	48,000
	12.7	4.978	4.978	14.35	1.07	1.07	0.3	1,310	490	134	50	41,000	48,000
6.350	9.525	3.175	3.175	10.72	0.58	0.91	0.08	210	94.0	21	9.5	43,000	51,000
	12.7	3.175	4.762	13.89	0.58	1.14	0.13	830	370	84	38	39,000	46,000
	15.875	4.978	4.978	17.53	1.07	1.07	0.3	1,480	615	151	63	36,000	43,000
	19.05		7.142				0.41	2,340	885	238	90	34,000	40,000
9.525	22.225		7.142	24.61		1.57	0.41	3,300	1,400	340	142	31,000	37,000

① Smallest allowable dimension for chamfer dimension r.



With flanged outer ring and double shield (FL...ZZ)

Equivalent bearing load dynamic

$$P_r = XF_r + YF_a$$

$\frac{F_a}{C_{or}}$	e	$\frac{F_a}{F_r} \leq e$		$\frac{F_a}{F_r} > e$	
		X	Y	X	Y
0.010	0.18	1	0	0.56	2.46
0.020	0.20				2.14
0.040	0.24				1.83
0.070	0.27				1.61
0.10	0.29				1.48
0.15	0.32				1.35
0.20	0.35				1.25
0.30	0.38				1.13

static

$$P_{or} = 0.6F_r + 0.5F_a$$

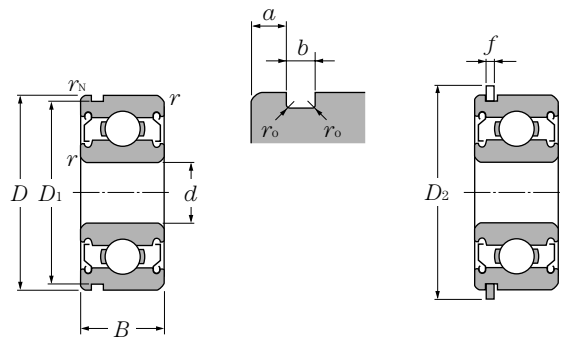
When $P_{or} < F_r$ use $P_{or} = F_r$

Bearing numbers						Abutment and fillet dimensions				Mass (approx. j g)	
open	with single shield	with double shield	with flanged outer ring	with flanged OR and single shield	with flanged OR and double shield	mm				open	with flanged outer ring
						d_a min	d_a max ^②	D_a max	r_{as} max		
R1-4	RA1-4ZA	ZZA	FLR1-4	FLRA1-4ZA	ZZA	2.8	3.3	5.5	0.08	0.35	0.41
R133	RA133ZA	ZZA	FLR133	FLRA133ZA	ZZA	2.9	3.1	4	0.08	0.12	0.16
R1-5	RA1-5ZA	ZZA	FLR1-5	FLRA1-5ZA	ZZA	3.2	4.3	7.1	0.1	0.69	0.76
R144	RA144ZA	ZZA	FLR144	FLRA144ZA	ZZA	3.9	4.0	5.5	0.08	0.27	0.33
R2-5	RA2-5Z	ZZ	FLR2-5	FLRA2-5Z	ZZ	4	4.4	7	0.08	0.61	0.68
R2-6	RA2-6ZA	ZZA	FLR2-6	FLRA2-6ZA	ZZA	4	5.2	8.7	0.1	0.88	0.96
R2	RA2ZA	ZZA	FLR2	FLRA2ZA	ZZA	4.8	5.2	7.8	0.3	1.3	1.5
RA2	RA2Z	ZZ				4.8	5.4	11	0.3	2.5	
R155	RA155ZA	ZZA	FLR155	FLRA155ZA	ZZA	4.8	5.3	7	0.08	0.54	0.61
R156	RA156Z	ZZ	FLR156	FLRA156Z	ZZ	5.5	5.6	7	0.08	0.44	0.51
R166	R166Z	ZZ	FLR166	FLRA166Z	ZZ	5.6	5.9	8.7	0.08	0.8	0.89
R3						6.4	7.2	11	0.3	2.2	
RA3	RA3Z	ZZ	FLRA3	FLRA3Z	ZZ	6.0	6.4	11	0.3	2.4	2.7
R168A	R168AZ	AZZ		FLRA168AZ	ZZ	7.1	7.3	8.7	0.08	0.6	0.69
R188	RA188ZA	ZZA	FLR188	FLRA188ZA	ZZA	7.2	8.2	11.8	0.1	1.6	1.7
R4	R4Z	ZZ	FLR4	FLR4Z	ZZ	8	8.6	14.2	0.3	4.4	4.8
	RA4Z	ZZ				8.4	9.5	17	0.4	11 ^③	
	R6Z	ZZ		FLR6Z	ZZ	11.5	11.9	20.2	0.4	14 ^③	15 ^③

② This dimension applies to sealed and shielded bearings.

③ Values for double shielded bearings shown.

With Ring Grooves, Snap Rings



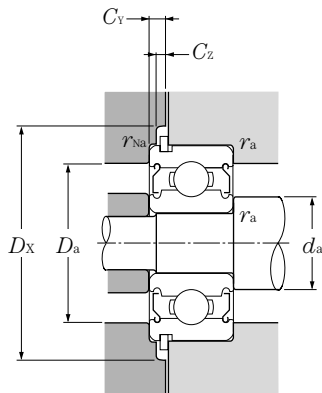
Snap ring groove
Shielded type
(ZZ)

Snap ring
Shielded type
(ZZ)

d 5 ~ 12mm

d	Boundary dimensions				Basic load ratings				Limiting speeds		Bearing numbers	
	D	B	$r_{s\ min}$ ^①	$r_{Na\ min}$	dynamic N	static N	dynamic kgf	static kgf	grease	oil	with snap ring groove shielded type	with snap ring shielded type
5	13	4	0.2	0.1	1,080	430	110	44	40,000	47,000	SC559ZZN	ZZNR
	14	5	0.2	0.2	1,330	505	135	52	39,000	46,000	SC571ZZN	ZZNR
6	12	4	0.15	0.1	640	365	65	37	40,000	47,000	*F-SC6A06ZZ1N	ZZ1NR
	13	5	0.15	0.1	1,080	440	110	45	39,000	46,000	SC6A04ZZN	ZZNR
	15	5	0.2	0.2	1,350	530	137	54	37,000	44,000	SC6A17ZZN	ZZNR
	19	6	0.3	0.3	2,340	885	238	90	34,000	40,000	SC669ZZN	ZZNR
8	16	5	0.2	0.1	1,260	585	128	60	35,000	41,000	SC890ZZN	ZZNR
	22	7	0.3	0.4	3,350	1,400	340	142	32,000	37,000	SC850ZZN	ZZNR
10	26	8	0.3	0.3	4,550	1,960	465	200	29,000	34,000	SC0039ZZN	ZZNR
12	28	8	0.3	0.3	5,100	2,390	520	204	26,000	30,000	SC0142ZZN	ZZNR

① Smallest allowable dimension for chamfer dimension r.
Note: "*" mark indicates stainless steel is used.



Equivalent bearing load dynamic

$$P_r = XF_r + YF_a$$

$\frac{F_a}{C_{or}}$	e	$\frac{F_a}{F_r} \leq e$		$\frac{F_a}{F_r} > e$	
		X	Y	X	Y
0.010	0.18				2.46
0.020	0.20				2.14
0.040	0.24				1.83
0.070	0.27	1	0	0.56	1.61
0.10	0.29				1.48
0.15	0.32				1.35
0.20	0.35				1.25
0.30	0.38				1.13

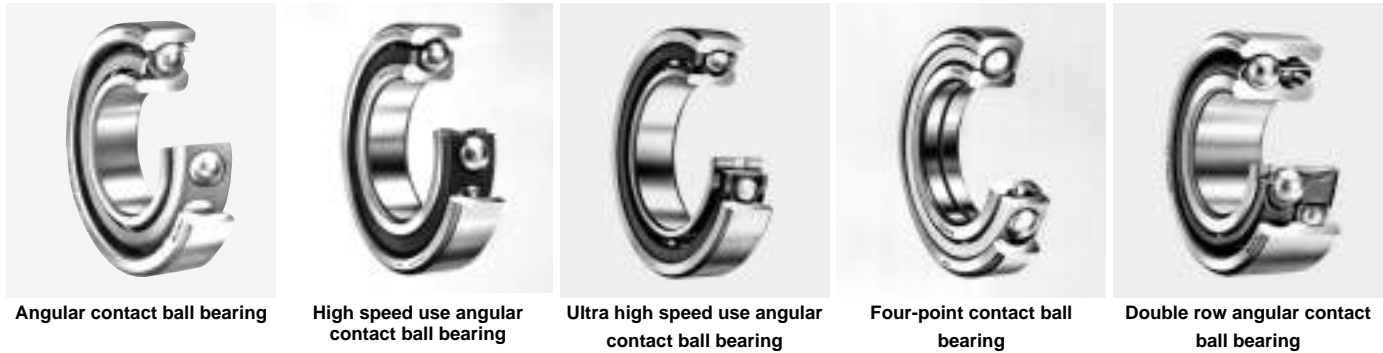
static

$$P_{or} = 0.6F_r + 0.5F_a$$

When $P_{or} < F_r$ use $P_{or} = F_r$

Snap ring groove dimensions				Snap ring dimensions				Abutment and fillet dimensions						Mass
mm				mm				mm						kg
D_1 max	a max	b min	r_o max	D_2 max	f max	d_a min max		D_a max	D_X (approx.)	C_Y max	C_Z min	r_{as} max	r_{Nas} max	with snap ring (approx.)
12.15	0.88	0.55	0.2	15.2	0.55	6.6	6.9	11.4	15.9	1.2	0.6	0.2	0.1	0.002
13.03	1.28	0.65	0.06	16.13	0.54	6.6	7.4	12.4	16.9	1.6	0.6	0.2	0.2	0.004
11.15	0.78	0.60	0.02	14.2	0.55	7.2	7.9	10.8	14.9	1.1	0.6	0.15	0.1	0.001
12.15	1.08	0.55	0.2	15.2	0.55	7.0	7.2	11.8	15.9	1.4	0.6	0.15	0.1	0.002
14.03	1.03	0.65	0.06	17.2	0.60	7.6	7.8	13.4	17.9	1.4	0.7	0.2	0.2	0.004
17.9	0.93	0.80	0.2	22.0	0.70	8.0	9.5	17.0	22.8	1.4	0.7	0.3	0.3	0.008
14.95	0.53	0.65	0.05	18.2	0.54	9.6	10.0	14.4	18.9	0.9	0.6	0.2	0.1	0.003
20.8	2.35	0.80	0.2	24.8	0.70	10.0	12.7	20	25.5	2.8	0.7	0.3	0.4	0.013
24.5	2.20	0.90	0.3	28.8	0.85	12	13.5	24	29.5	2.8	0.9	0.3	0.3	0.02
26.44	2.20	0.90	0.3	32.7	0.85	14	16	26	33.4	2.8	0.9	0.3	0.3	0.022





1. Design features and special characteristics

1.1 Angular contact ball bearing

Angular contact ball bearings are non-separable type bearings. The line connecting the contact points of the ball and inner ring and the ball and outer ring creates an angle with the line drawn in the radial direction called the contact angle.

In addition to radial loads, single direction axial loads can also be accommodated by angular contact ball bearings.

Furthermore, since an axial load is generated from a radial force, these bearings are generally used in pairs facing each other. Standard type, high speed use type and ultra high speed varieties of angular contact ball bearings are available through **NTN**, and there are also many duplex varieties. A bearing accuracy of JIS Class 5 or higher is applied to duplex type angular contact ball bearings, and in many cases they are given a preload, in compliance with standard preload levels, before being used in an application. **Table 2** shows information concerning angular contact ball bearings, and **Table 3** shows similar information for duplex angular contact ball bearings.

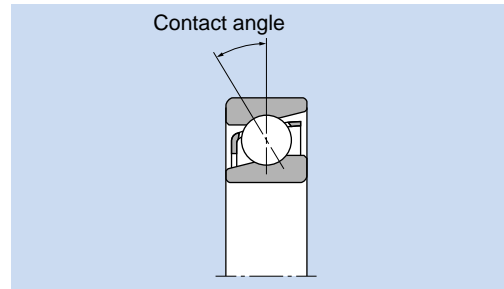


Diagram 1.

Table 1 Contact angle and contact angle codes

Contact angle	15°	30°	40°
Code	C	A ^①	B

① A 30° contact angle is standard, and therefore the code "A" will usually be omitted.

Table 2 Angular contact ball bearing types and characteristics

Type	Design	Characteristics
Standard type		<ul style="list-style-type: none"> Available in bearing series 79, 70, 72, 72B, 73, and 73B. Contact angles: 30° and 40° (with B) available. Standard bearing cage type differs depending on bearing no. (Refer to Table 4)
High speed use		<ul style="list-style-type: none"> Available in bearing series 78C, 79C, 70C, 72C, and 73C. Contact angles: 15° All bearing accuracies JIS Class 5 or higher. Standard bearing cage type differs depending on bearing no. (Refer to Table 4)
Ultra high speed use	 BNT type HSB type	<ul style="list-style-type: none"> Available in bearing series HSB9C, HSB0C, BNT0, and BNT2; all boundary dimensions agree with JIS series dimensions. Contact angles: 15°; HSB type HSB9 and HSB0: 15° and 30°. All bearing accuracies JIS Class 5 or higher. BNT type internal design can be altered; suitable for higher speed applications than high speed use bearings. HSB series bearings have smaller diameter of balls than high speed use type bearings, so benefit by less torque for high precision, high speed applications. The inner ring bore diameter and outer ring inner diameter of the HSB series have a ground undercut on one side enabling easy oil flow. For even higher speed applications, there is a bearing in this series equipped with ceramic ball bearings. For standard cage types refer to Table 4; molded resin cages are also available for some varieties.

Table 3 Duplex angular contact ball bearings types and characteristics

Duplex type		Characteristics
Back-to-back duplex (DB)		<ul style="list-style-type: none"> • Can accommodate radial loads and axial loads in either direction. • Has a large distance l between the acting load center of the bearing, and therefore a large momentary force load capacity. • Allowable misalignment angle is small.
Face-to-face duplex (DF)		<ul style="list-style-type: none"> • Can accommodate radial loads and axial loads in either direction. • Has a smaller distance l between the acting load center of the bearing, and therefore a smaller momentary force load capacity. • Has a larger allowable misalignment angle than back-to-back duplex type.
Tandem duplex (DT)		<ul style="list-style-type: none"> • Can accommodate radial loads and single direction axial loads. • Axial loads are received by both bearings as a set, and therefore heavy axial loads can be accommodated.

Note: 1. Duplex bearings are manufactured in a set to specified clearance and preload values, therefore they must be assembled together with identically numbered bearings and not mixed with other arrangements.

2. Triplex arrangements of angular contact bearings are also available. Consult NTN Engineering for details.

1.2 Four-point angular contact ball bearings

Four-point angular contact ball bearings have a contact angle of 30° and inner rings which are separated in half. As shown in **Diagram 2**, when the inner and outer rings receive a radial load the ball bearings contact the inner and outer rings at four points. This construction enables a single bearing to accommodate axial loads from either direction, and when generally under a simple axial load or heavy axial load, the bearing functions in reliance on two contact points like ordinary bearings.

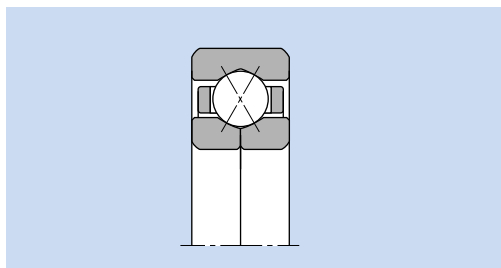


Diagram 2.

1.3 Double row angular contact ball bearings

The structure of double row angular contact ball bearings is designed by arranging two single row angular contact bearings back-to-back in duplex (DB) to form one united bearing with a contact angle of 30° .

These bearings are capable of accommodating radial

loads, axial loads in either direction, and have a high capacity for momentary loads as well.

As shown in **Diagram 3**, sealed and shielded type double row angular contact ball bearings are also available. Standard loads vary from those of open type bearings.

Flush ground

"Flush ground" is the name given to the finishing method shown in **Diagram 4** where the offset of the front and back faces of the bearing are ground to the same value. By doing this, a stated clearance or preload value can be achieved by using bearings with identical codes for these values, in other words by combining either DB or DF series bearings. DT series bearings can also be used in various arrangements to achieve uniform load distribution.

All BNT type bearings are flush ground, but other angular contact ball bearing series are not. If it is necessary to flush grind any of these other bearings, please consult NTN Engineering.

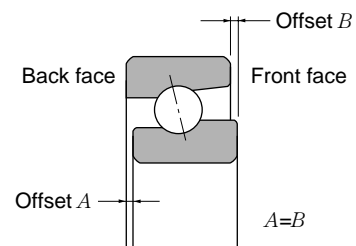


Diagram 4.

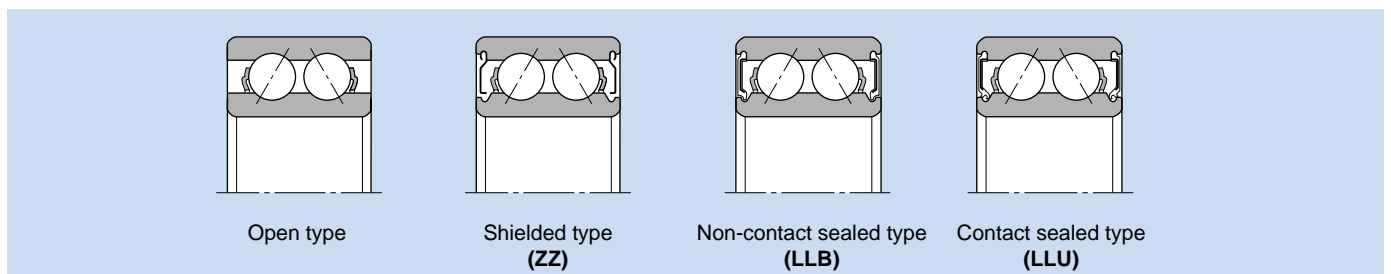


Diagram 3.

2. Standard cage types

Table 4 lists the standard cage types for angular contact ball bearings. For high speed use angular contact ball bearings, molded resin cages and machined cages are widely used.

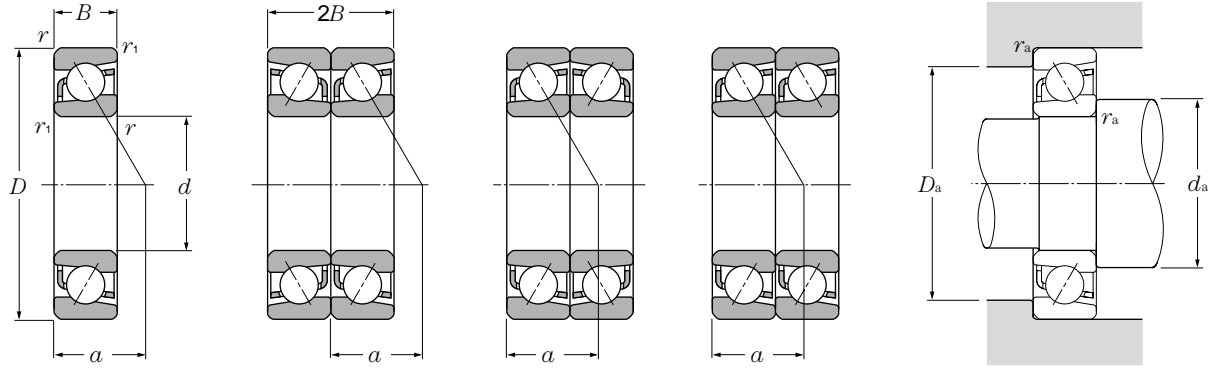
Table 4 Standard cages for angular contact ball bearings

Type	Bearing series	Molded resin cage	Pressed cage	Machined cage
Standard	79	7904 ~ 7913 7000 ~ 7024	7200 ~ 7222 7300 ~ 7322 7200B ~ 7222B 7300B ~ 7322B	7914 ~ 7960
	70			7026 ~ 7040
	72	7224 ~ 7240		
	73	7324 ~ 7340		
	72B	7224B ~ 7240B		
	73B	7324B ~ 7340B		
High speed use	78C	7904C ~ 7913C 7000C ~ 7024C 7200C ~ 7220C 7303C ~ 7312C		7805C ~ 7834C
	79C			7914C ~ 7934C
	70C			7026C ~ 7040C
	72C			7221C ~ 7240C
	73C			7300C ~ 7302C 7313C ~ 7340C
Ultra high speed use	BNT0	HSB010C ~ HSB032C		BNT000 ~ BNT009
	BNT2			BNT200 ~ BNT209
	HSB9C			HSB910C ~ HSB934C
	HSB0C			HSB034C
4-point contact	QJ2			QJ208 ~ QJ224
	QJ3			QJ306 ~ QJ324
Double row	52		5200 ~ 5218 5302 ~ 5315	5219 , 5220
	53			

Note: 1. Standard cages for 5S-BNT and 5S-HSB type bearings are the same as cages for BNT and HSB type bearings.

2. Due to the material characteristics of molded resin cages, use at application temperatures in excess of 120 is not possible.

Single and Duplex Arrangements



Single

Back-to-back arrangement (DB)

Face-to-face arrangement (DF)

Tandem arrangement (DT)

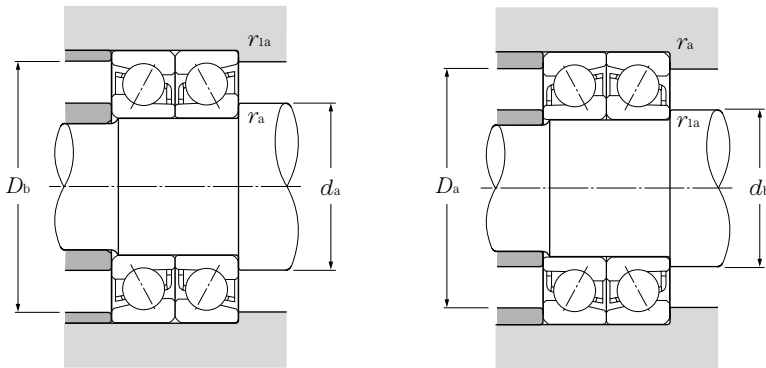
d 10 ~ 30mm

d	Boundary dimensions					Basic load ratings				Limiting speeds ^①		Bearing numbers ^②	Load center mm a	Mass kg single (approx.)
	D	B	$2B$	$r_{s\ min}$ ^③	$r_{is\ min}$ ^③	dynamic	static	dynamic	static	grease	oil			
	mm	mm	mm	mm	mm	kN	kN	kgf	kgf	rpm	rpm			
10	26	8	16	0.3	0.15	4.65	2.07	470	212	29,000	39,000	7000	9	0.023
	30	9	18	0.6	0.3	5.45	2.74	555	279	28,000	37,000	7200	10.5	0.029
	30	9	18	0.6	0.3	5.00	2.52	510	257	24,000	32,000	7200B	13	0.029
	35	11	22	0.6	0.3	10.1	4.95	1,030	500	26,000	34,000	7300	12	0.04
	35	11	22	0.6	0.3	9.50	4.60	970	470	22,000	29,000	7300B	15	0.041
12	28	8	16	0.3	0.15	5.05	2.46	515	251	26,000	35,000	7001	10	0.025
	32	10	20	0.6	0.3	7.60	3.95	775	405	25,000	33,000	7201	11.5	0.035
	32	10	20	0.6	0.3	7.00	3.65	715	375	21,000	28,000	7201B	14	0.036
	37	12	24	1	0.6	11.2	5.25	1,140	535	23,000	30,000	7301	13	0.044
	37	12	24	1	0.6	10.5	4.95	1,080	505	19,000	26,000	7301B	16.5	0.045
15	32	9	18	0.3	0.15	5.80	3.15	590	320	23,000	31,000	7002	11.5	0.035
	35	11	22	0.6	0.3	9.05	4.70	925	480	22,000	29,000	7202	12.5	0.046
	35	11	22	0.6	0.3	8.35	4.35	855	445	18,000	25,000	7202B	16	0.046
	42	13	26	1	0.6	13.5	7.20	1,370	735	19,000	26,000	7302	15	0.055
	42	13	26	1	0.6	12.5	6.65	1,270	680	17,000	22,000	7302B	19	0.057
17	35	10	20	0.3	0.15	7.15	3.85	730	390	21,000	28,000	7003	12.5	0.046
	40	12	24	0.6	0.3	12.0	6.60	1,220	675	19,000	26,000	7203	14.5	0.064
	40	12	24	0.6	0.3	11.0	6.10	1,120	625	17,000	22,000	7203B	18	0.066
	47	14	28	1	0.6	15.9	8.65	1,630	880	18,000	24,000	7303	16	0.107
	47	14	28	1	0.6	14.8	8.00	1,510	820	15,000	20,000	7303B	20.5	0.109
20	42	12	24	0.6	0.3	9.70	5.60	990	570	19,000	25,000	7004	15	0.08
	47	14	28	1	0.6	14.5	8.40	1,480	855	17,000	23,000	7204	17	0.1
	47	14	28	1	0.6	13.3	7.70	1,360	785	15,000	20,000	7204B	21.5	0.102
	52	15	30	1.1	0.6	18.7	10.4	1,910	1,060	16,000	21,000	7304	18	0.138
	52	15	30	1.1	0.6	17.3	9.65	1,770	985	13,000	18,000	7304B	22.5	0.141
25	42	9	18	0.3	0.15	7.15	4.95	730	505	17,000	22,000	7905	14	0.05
	47	12	24	0.6	0.3	10.7	6.85	1,100	700	16,000	21,000	7005	16.5	0.093
	52	15	30	1	0.6	16.2	10.3	1,650	1,050	14,000	19,000	7205	19	0.125
	52	15	30	1	0.6	14.8	9.40	1,510	960	12,000	16,000	7205B	24	0.129
	62	17	34	1.1	0.6	26.4	15.8	2,690	1,610	13,000	17,000	7305	21	0.23
	62	17	34	1.1	0.6	24.4	14.6	2,490	1,490	11,000	15,000	7305B	27	0.234
30	47	9	18	0.3	0.15	7.55	5.75	770	585	14,000	19,000	7906	15.5	0.058
	55	13	26	1	0.6	13.9	9.45	1,410	965	13,000	18,000	7006	19	0.135

① This value achieved with machined cages; when pressed cages are used, 80% of this value is acceptable.

② Bearing numbers appended with the code "B" have a contact angle of 40°; bearings with this code have a contact angle of 30°.

③ Smallest allowable dimension for chamfer dimension r or r_1 .



Equivalent bearing load

dynamic

$$P_r = XF_r + YF_a$$

Contact angle	e	Single, DT				DB, DF			
		$F_a/F_r \leq e$		$F_a/F_r > e$		$F_a/F_r \leq e$		$F_a/F_r > e$	
		X	Y	X	Y	X	Y	X	Y
30°	0.80	1	0	0.39	0.76	1	0.78	0.63	1.24
40°	1.14	1	0	0.35	0.57	1	0.55	0.57	0.93

static

$$P_{or} = X_o F_r + Y_o F_a$$

Contact angle	Single, DT		DB, DF	
	X_o	Y_o	X_o	Y_o
30°	0.5	0.33	1	0.66
40°	0.5	0.26	1	0.52

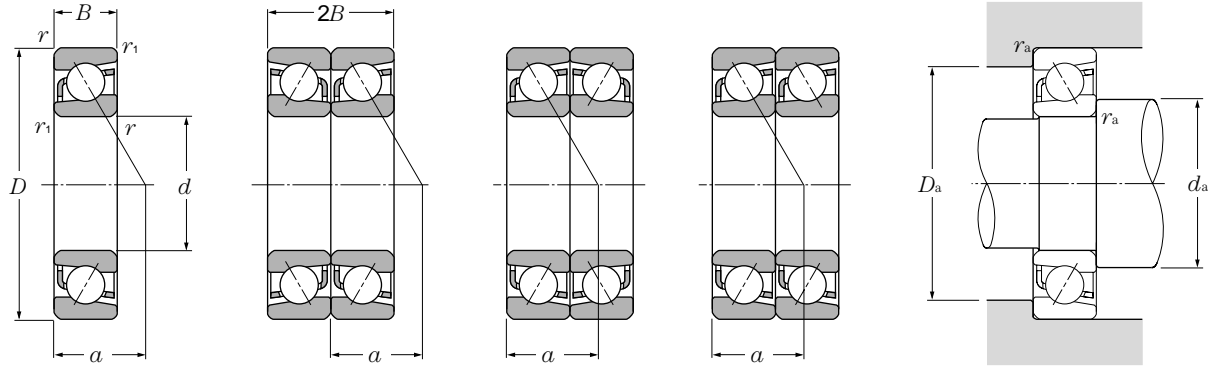
For single and DT arrangement,

When $P_{or} < F_r$ use $P_{or} = F_r$

Basic load ratings				Limiting speeds ^①		Bearing numbers ^②			Abutment and fillet dimensions					
dynamic (duplex) C_r	static C_{or}	dynamic (duplex) C_r	static C_{or}	(duplex) rpm		DB	DF	DT	mm					
kN		kgf		grease	oil				d_a min	d_b min	D_a max	D_b max	r_{as} max	r_{ias} max
7.50	4.15	765	425	23,000	31,000	DB	DF	DT	12.5	12.5	23.5	24.8	0.3	0.15
8.80	5.45	900	560	22,000	30,000	DB	DF	DT	14.5	12.5	25.5	27.5	0.6	0.3
8.10	5.05	825	515	19,000	26,000	DB	DF	DT	14.5	12.5	25.5	27.5	0.6	0.3
16.5	9.85	1,680	1,000	20,000	27,000	DB	DF	DT	14.5	12.5	30.5	32.5	0.6	0.3
15.4	9.20	1,570	940	18,000	24,000	DB	DF	DT	14.5	12.5	30.5	32.5	0.6	0.3
8.20	4.90	840	500	21,000	28,000	DB	DF	DT	14.5	14.5	25.5	26.8	0.3	0.15
12.3	7.95	1,260	810	20,000	26,000	DB	DF	DT	16.5	14.5	27.5	29.5	0.6	0.3
11.4	7.35	1,160	750	17,000	23,000	DB	DF	DT	16.5	14.5	27.5	29.5	0.6	0.3
18.2	10.5	1,850	1,070	18,000	24,000	DB	DF	DT	17.5	16.5	31.5	32.5	1	0.6
17.1	9.90	1,750	1,010	16,000	21,000	DB	DF	DT	17.5	16.5	31.5	32.5	1	0.6
9.40	6.30	960	640	18,000	24,000	DB	DF	DT	17.5	17.5	29.5	30.8	0.3	0.15
14.7	9.40	1,500	960	17,000	23,000	DB	DF	DT	19.5	17.5	30.5	32.5	0.6	0.3
13.6	8.70	1,390	885	15,000	20,000	DB	DF	DT	19.5	17.5	30.5	32.5	0.6	0.3
21.9	14.4	2,230	1,470	15,000	21,000	DB	DF	DT	20.5	19.5	36.5	37.5	1	0.6
20.3	13.3	2,070	1,360	13,000	18,000	DB	DF	DT	20.5	19.5	36.5	37.5	1	0.6
11.6	7.65	1,190	780	17,000	22,000	DB	DF	DT	19.5	19.5	32.5	33.8	0.3	0.15
19.4	13.2	1,980	1,350	15,000	21,000	DB	DF	DT	21.5	19.5	35.5	37.5	0.6	0.3
17.9	12.2	1,830	1,250	13,000	18,000	DB	DF	DT	21.5	19.5	35.5	37.5	0.6	0.3
25.9	17.3	2,640	1,760	14,000	19,000	DB	DF	DT	22.5	21.5	41.5	42.5	1	0.6
24.0	16.0	2,450	1,640	12,000	16,000	DB	DF	DT	22.5	21.5	41.5	42.5	1	0.6
15.8	11.2	1,610	1,140	15,000	20,000	DB	DF	DT	24.5	24.5	37.5	39.5	0.6	0.3
23.6	16.8	2,400	1,710	14,000	18,000	DB	DF	DT	25.5	24.5	41.5	42.5	1	0.6
21.6	15.4	2,200	1,570	12,000	16,000	DB	DF	DT	25.5	24.5	41.5	42.5	1	0.6
30.5	20.8	3,100	2,130	12,000	17,000	DB	DF	DT	27	24.5	45	47.5	1	0.6
28.2	19.3	2,870	1,970	11,000	14,000	DB	DF	DT	27	24.5	45	47.5	1	0.6
11.6	9.95	1,180	1,010	13,000	18,000	DB	DF	DT	27.5	27.5	39.5	40.8	0.3	0.15
17.5	13.7	1,780	1,400	12,000	17,000	DB	DF	DT	29.5	29.5	42.5	44.5	0.6	0.3
26.3	20.6	2,690	2,100	11,000	15,000	DB	DF	DT	30.5	29.5	46.5	47.5	1	0.6
24.0	18.8	2,450	1,920	10,000	13,000	DB	DF	DT	30.5	29.5	46.5	47.5	1	0.6
43.0	31.5	4,400	3,250	10,000	14,000	DB	DF	DT	32	29.5	55	57.5	1	0.6
39.5	29.3	4,050	2,980	9,100	12,000	DB	DF	DT	32	29.5	55	57.5	1	0.6
12.3	11.5	1,250	1,170	12,000	15,000	DB	DF	DT	32.5	32.5	44.5	45.8	0.3	0.15
22.5	18.9	2,300	1,930	11,000	14,000	DB	DF	DT	35.5	35.5	49.5	50.5	1	0.6

Note: For bearing series 79 and 70, inner rings are constructed with groove abutments on both sides. Therefore, the inner ring chamfer dimension r_i is identical to dimension r . Furthermore, the radius r_{is} of the shaft corner roundness is likewise identical to r_s .

Single and Duplex Arrangements



Single

Back-to-back arrangement (DB)

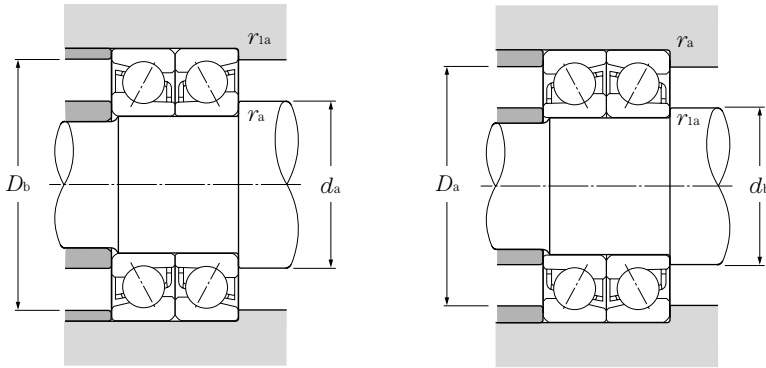
Face-to-face arrangement (DF)

Tandem arrangement (DT)

d 30 ~ 55mm

d	Boundary dimensions					Basic load ratings				Limiting speeds ^①		Bearing numbers ^②	Load center mm a	Mass kg single (approx.)
	D	B	2B	r _{s min} ^③	r _{1s min} ^③	dynamic		static		grease	oil			
	mm	mm	mm	mm	mm	kN	kN	kgf	kgf	rpm	rpm			
30	62	16	32	1	0.6	22.5	14.8	2,300	1,510	12,000	16,000	7206	21.5	0.193
	62	16	32	1	0.6	20.5	13.5	2,090	1,380	11,000	14,000	7206B	27.5	0.197
	72	19	38	1.1	0.6	33.5	22.3	3,450	2,280	11,000	15,000	7306	24.5	0.345
	72	19	38	1.1	0.6	31.0	20.5	3,150	2,090	9,600	13,000	7306B	31.5	0.352
35	55	10	20	0.6	0.3	12.0	8.85	1,220	905	13,000	17,000	7907	18	0.088
	62	14	28	1	0.6	17.5	12.6	1,790	1,280	12,000	16,000	7007	21	0.18
	72	17	34	1.1	0.6	29.7	20.1	3,050	2,050	11,000	14,000	7207	24	0.281
	72	17	34	1.1	0.6	27.1	18.4	2,760	1,870	9,300	12,000	7207B	31	0.287
	80	21	42	1.5	1	40.0	26.3	4,050	2,680	9,800	13,000	7307	27	0.462
	80	21	42	1.5	1	36.5	24.2	3,750	2,470	8,400	11,000	7307B	34.5	0.469
40	62	12	24	0.6	0.3	12.7	10.2	1,290	1,040	11,000	15,000	7908	20.5	0.13
	68	15	30	1	0.6	18.8	14.6	1,910	1,490	10,000	14,000	7008	23	0.222
	80	18	36	1.1	0.6	35.5	25.1	3,600	2,560	9,600	13,000	7208	26.5	0.355
	80	18	36	1.1	0.6	32.0	23.0	3,250	2,340	8,300	11,000	7208B	34	0.375
	90	23	46	1.5	1	49.0	33.0	5,000	3,350	8,600	12,000	7308	30.5	0.625
	90	23	46	1.5	1	45.0	30.5	4,550	3,100	7,400	9,900	7308B	39	0.636
45	68	12	24	0.6	0.3	15.7	12.9	1,600	1,310	10,000	14,000	7909	22.5	0.15
	75	16	32	1	0.6	22.3	17.7	2,270	1,800	9,500	13,000	7009	25.5	0.282
	85	19	38	1.1	0.6	39.5	28.7	4,050	2,930	8,700	12,000	7209	28.5	0.404
	85	19	38	1.1	0.6	36.0	26.2	3,650	2,680	7,400	9,900	7209B	37	0.41
	100	25	50	1.5	1	63.5	44.0	6,450	4,500	7,800	10,000	7309	33.5	0.837
	100	25	50	1.5	1	58.5	40.0	5,950	4,100	6,600	8,900	7309B	43.0	0.854
50	72	12	24	0.6	0.3	16.6	14.5	1,690	1,470	9,200	12,000	7910	23.5	0.157
	80	16	32	1	0.6	23.7	20.1	2,410	2,050	8,600	11,000	7010	27	0.306
	90	20	40	1.1	0.6	41.5	31.5	4,200	3,200	7,900	10,000	7210	30	0.457
	90	20	40	1.1	0.6	37.5	28.6	3,800	2,920	6,700	9,000	7210B	39.5	0.466
	110	27	54	2	1	74.0	52.0	7,600	5,350	7,100	9,400	7310	36.5	1.09
	110	27	54	2	1	68.0	48.0	6,950	4,950	6,000	8,100	7310B	47	1.11
55	80	13	26	1	0.6	17.3	16.1	1,770	1,640	8,400	11,000	7911	26	0.214
	90	18	36	1.1	0.6	31.0	26.3	3,150	2,680	7,900	11,000	7011	30	0.447
	100	21	42	1.5	1	51.0	39.5	5,200	4,050	7,100	9,500	7211	33	0.6
	100	21	42	1.5	1	46.5	36.0	4,700	3,700	6,100	8,200	7211B	43	0.612
	120	29	58	2	1	86.0	61.5	8,750	6,300	6,400	8,600	7311	40	1.39
	120	29	58	2	1	79.0	56.5	8,050	5,800	5,500	7,300	7311B	52	1.42

① This value achieved with machined cages; when pressed cages are used, 80% of this value is acceptable.
 ② Bearing numbers appended with the code "B" have a contact angle of 40°; bearings with this code have a contact angle of 30°.
 ③ Minimal allowable dimension for chamfer dimension r or r₁.



Equivalent bearing load

dynamic

$$P_r = XF_r + YF_a$$

Contact angle	e	Single, DT				DB, DF			
		$F_a/F_r \leq e$		$F_a/F_r > e$		$F_a/F_r \leq e$		$F_a/F_r > e$	
		X	Y	X	Y	X	Y	X	Y
30°	0.80	1	0	0.39	0.76	1	0.78	0.63	1.24
40°	1.14	1	0	0.35	0.57	1	0.55	0.57	0.93

static

$$P_{or} = X_o F_r + Y_o F_a$$

Contact angle	Single, DT		DB, DF	
	X_o	Y_o	X_o	Y_o
30°	0.5	0.33	1	0.66
40°	0.5	0.26	1	0.52

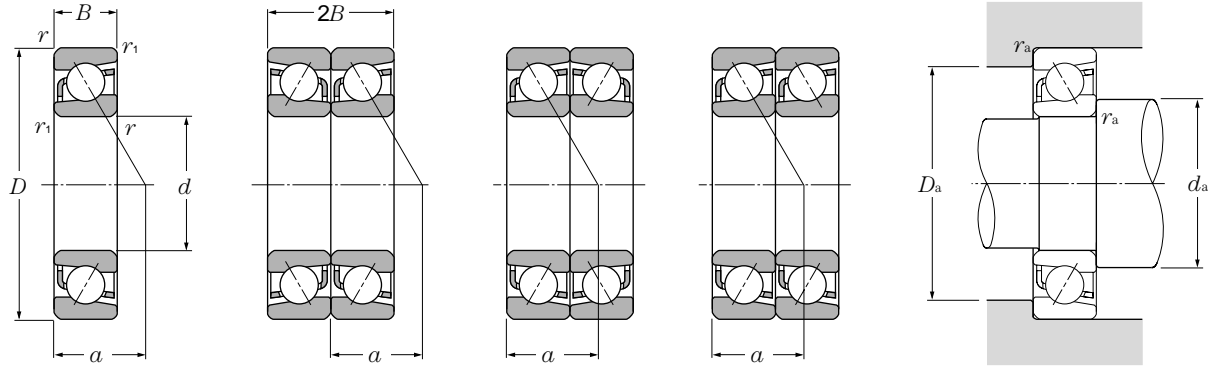
For single and DT arrangement,

When $P_{or} < F_r$ use $P_{or} = F_r$

Basic load ratings				Limiting speeds ^①		Bearing numbers ^②			Abutment and fillet dimensions					
dynamic (duplex) kN	static C _{or}	dynamic (duplex) kgf	static C _{or}	(duplex) rpm		DB	DF	DT	mm					
C _r	C _{or}	C _r	C _{or}	grease	oil				d _a min	d _b min	D _a max	D _b max	r _{as} max	r _{ias} max
36.5	29.6	3,750	3,000	9,800	13,000	DB	DF	DT	35.5	34.5	56.5	57.5	1	0.6
33.5	27.1	3,400	2,760	8,600	11,000	DB	DF	DT	35.5	34.5	56.5	57.5	1	0.6
54.5	44.5	5,550	4,550	8,900	12,000	DB	DF	DT	37	34.5	65	67.5	1	0.6
50.0	41.0	5,100	4,200	7,700	10,000	DB	DF	DT	37	34.5	65	67.5	1	0.6
19.5	17.7	1,990	1,810	10,000	13,000	DB	DF	DT	39.5	39.5	50.5	52.5	0.6	0.3
28.5	25.1	2,900	2,560	9,400	13,000	DB	DF	DT	40.5	40.5	56.5	57.5	1	0.6
48.5	40.0	4,900	4,100	8,600	11,000	DB	DF	DT	42	39.5	65	67.5	1	0.6
44.0	36.5	4,500	3,750	7,500	10,000	DB	DF	DT	42	39.5	65	67.5	1	0.6
65.0	52.5	6,600	5,350	7,800	10,000	DB	DF	DT	43.5	40.5	71.5	74.5	1.5	1
59.5	48.5	6,100	4,950	6,800	9,000	DB	DF	DT	43.5	40.5	71.5	74.5	1.5	1
20.6	20.4	2,100	2,080	9,000	12,000	DB	DF	DT	44.5	44.5	57.5	59.5	0.6	0.3
30.5	29.2	3,100	2,970	8,300	11,000	DB	DF	DT	45.5	45.5	62.5	63.5	1	0.6
57.5	50.5	5,850	5,150	7,700	10,000	DB	DF	DT	47	44.5	73.0	75.5	1	0.6
52.0	46.0	5,300	4,700	6,700	8,900	DB	DF	DT	47	44.5	73	75.5	1	0.6
79.5	66.0	8,100	6,700	6,900	9,200	DB	DF	DT	48.5	45.5	81.5	84.5	1.5	1
73.0	60.5	7,400	6,200	6,000	8,000	DB	DF	DT	48.5	45.5	81.5	84.5	1.5	1
25.5	25.7	2,600	2,620	8,100	11,000	DB	DF	DT	49.5	49.5	63.5	65.5	0.6	0.3
36.0	35.5	3,700	3,600	7,500	10,000	DB	DF	DT	50.5	50.5	69.5	70.5	1	0.6
64.5	57.5	6,550	5,850	6,900	9,200	DB	DF	DT	52	49.5	78	80.5	1	0.6
58.5	52.5	5,950	5,350	6,000	8,000	DB	DF	DT	52	49.5	78	80.5	1	0.6
103	88.0	10,500	8,950	6,200	8,200	DB	DF	DT	53.5	50.5	91.5	94.5	1.5	1
95.0	80.5	9,650	8,250	5,400	7,200	DB	DF	DT	53.5	50.5	91.5	94.5	1.5	1
27.0	28.9	2,750	2,950	7,300	9,800	DB	DF	DT	54.5	54.5	67.5	69.5	0.6	0.3
38.5	40.0	3,900	4,100	6,800	9,100	DB	DF	DT	55.5	55.5	74.5	75.5	1	0.6
67.0	63.0	6,850	6,400	6,300	8,300	DB	DF	DT	57	54.5	83	85.5	1	0.6
60.5	57.0	6,200	5,850	5,500	7,300	DB	DF	DT	57	54.5	83	85.5	1	0.6
121	105	12,300	10,700	5,600	7,500	DB	DF	DT	60	55.5	100	104.5	2	1
111	96.0	11,300	9,850	4,900	6,500	DB	DF	DT	60	55.5	100	104.5	2	1
28.1	32.0	2,870	3,300	6,700	8,900	DB	DF	DT	60.5	60.5	74.5	75.5	1	0.6
50.5	52.5	5,150	5,350	6,300	8,400	DB	DF	DT	62	62	83	85.5	1	0.6
83.0	79.0	8,450	8,050	5,700	7,600	DB	DF	DT	63.5	60.5	91.5	94.5	1.5	1
75.0	72.0	7,650	7,350	5,000	6,600	DB	DF	DT	63.5	60.5	91.5	94.5	1.5	1
139	123	14,200	12,600	5,100	6,800	DB	DF	DT	65	60.5	110	114.5	2	1
128	113	13,000	11,600	4,500	5,900	DB	DF	DT	65	60.5	110	114.5	2	1

Note: For bearing series 79 and 70, inner rings are constructed with groove abutments on both sides. Therefore, the inner ring chamfer dimension r_i is identical to dimension r . Furthermore, the radius r_{is} of the shaft corner roundness is, likewise, identical to r_s .

Single and Duplex Arrangements



Single

Back-to-back arrangement (DB)

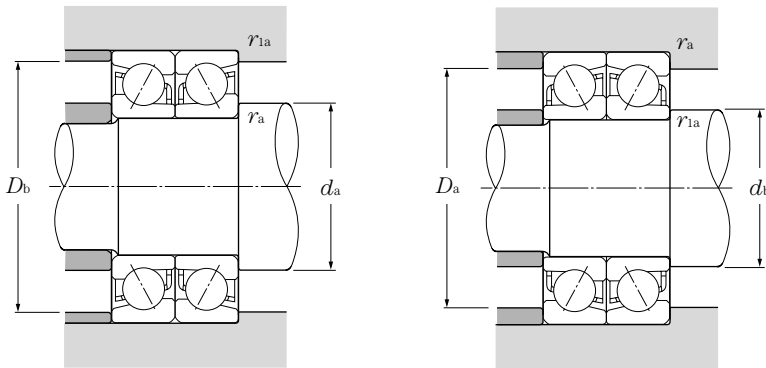
Face-to-face arrangement (DF)

Tandem arrangement (DT)

d 60 ~ 85mm

d	Boundary dimensions					Basic load ratings				Limiting speeds ^①		Bearing numbers ^②	Load center mm a	Mass kg single (approx.)
	D	B	$2B$	$r_{s\ min}$ ^③	$r_{1s\ min}$ ^③	dynamic	static	dynamic	static	rpm				
	mm	mm	mm	mm	mm	kN	kN	kgf	kgf	grease	oil			
60	85	13	26	1	0.6	18.1	17.4	1,840	1,780	7,800	10,000	7912	27.5	0.23
	95	18	36	1.1	0.6	32.0	28.1	3,250	2,860	7,200	9,600	7012	31.5	0.478
	110	22	44	1.5	1	61.5	49.0	6,300	5,000	6,600	8,800	7212	36	0.765
	110	22	44	1.5	1	56.0	44.5	5,700	4,550	5,700	7,600	7212B	47.5	0.78
	130	31	62	2.1	1.1	98.0	71.5	10,000	7,300	5,900	7,900	7312	43	1.74
	130	31	62	2.1	1.1	90.0	66.0	9,200	6,700	5,100	6,800	7312B	56	1.77
65	90	13	26	1	0.6	18.3	18.0	1,860	1,840	7,200	9,600	7913	29	0.245
	100	18	36	1.1	0.6	33.5	31.5	3,450	3,200	6,700	9,000	7013	33	0.509
	120	23	46	1.5	1	70.5	58.0	7,150	5,900	6,100	8,100	7213	38	0.962
	120	23	46	1.5	1	63.5	52.5	6,500	5,350	5,200	7,000	7213B	50.5	0.981
	140	33	66	2.1	1.1	111	82.0	11,300	8,350	5,500	7,300	7313	46	2.11
	140	33	66	2.1	1.1	102	75.0	10,400	7,700	4,700	6,300	7313B	59.5	2.15
70	100	16	32	1	0.6	26.2	26.2	2,670	2,670	6,700	9,000	7914	32.5	0.397
	110	20	40	1.1	0.6	42.5	39.5	4,350	4,000	6,200	8,300	7014	36	0.705
	125	24	48	1.5	1	76.5	63.5	7,800	6,500	5,700	7,600	7214	40	1.09
	125	24	48	1.5	1	69.0	58.0	7,050	5,900	4,900	6,500	7214B	53	1.11
	150	35	70	2.1	1.1	125	93.5	12,700	9,550	5,100	6,800	7314	49.5	2.56
	150	35	70	2.1	1.1	114	86	11,700	8,800	4,400	5,800	7314B	63.5	2.61
75	105	16	32	1	0.6	26.50	27.1	2,710	2,760	6,300	8,400	7915	34	0.42
	115	20	40	1.1	0.6	43.50	41.5	4,450	4,250	5,800	7,800	7015	37.5	0.745
	130	25	50	1.5	1	79.0	68.5	8,050	7,000	5,300	7,100	7215	42.5	1.17
	130	25	50	1.5	1	71.5	62.0	7,300	6,350	4,500	6,000	7215B	56	1.19
	160	37	74	2.1	1.1	136	106	13,800	10,800	4,800	6,300	7315	52.5	3.07
	160	37	74	2.1	1.1	125.	97.5	12,700	9,900	4,100	5,400	7315B	68	3.13
80	110	16	32	1	0.6	26.9	28.0	2,740	2,860	5,900	7,800	7916	35.5	0.444
	125	22	44	1.1	0.6	53.5	50.5	5,450	5,150	5,500	7,300	7016	40.5	0.994
	140	26	52	2	1	89.0	76.0	9,100	7,750	5,000	6,600	7216	45	1.39
	140	26	52	2	1	80.5	69.5	8,200	7,050	4,300	5,700	7216B	59	1.42
	170	39	78	2.1	1.1	147	119	15,000	12,100	4,500	5,900	7316	55.5	3.65
	170	39	78	2.1	1.1	135	109	13,800	11,100	3,800	5,100	7316B	72	3.72
85	120	18	36	1.1	0.6	36.0	38.0	3,700	3,850	5,500	7,400	7917	38.5	0.628
	130	22	44	1.1	0.6	54.5	53.5	5,600	5,450	5,100	6,900	7017	42	1.04
	150	28	56	2	1	99.5	88.5	10,100	9,050	4,700	6,200	7217	48	1.78
	150	28	56	2	1	90.0	80.5	9,150	8,200	4,000	5,300	7217B	63.5	1.82

① This value achieved with machined cages; when pressed cages are used, 80% of this value is acceptable.
 ② Bearing numbers appended with the code "B" have a contact angle of 40°; bearings with this code have a contact angle of 30°.
 ③ Minimal allowable dimension for chamfer dimension r or r_1 . B-48



Equivalent bearing load

dynamic

$$P_r = XF_r + YF_a$$

Contact angle	e	Single, DT				DB, DF			
		$F_a/F_r \leq e$		$F_a/F_r > e$		$F_a/F_r \leq e$		$F_a/F_r > e$	
		X	Y	X	Y	X	Y	X	Y
30°	0.80	1	0	0.39	0.76	1	0.78	0.63	1.24
40°	1.14	1	0	0.35	0.57	1	0.55	0.57	0.93

static

$$P_{or} = X_o F_r + Y_o F_a$$

Contact angle	Single, DT		DB, DF	
	X_o	Y_o	X_o	Y_o
30°	0.5	0.33	1	0.66
40°	0.5	0.26	1	0.52

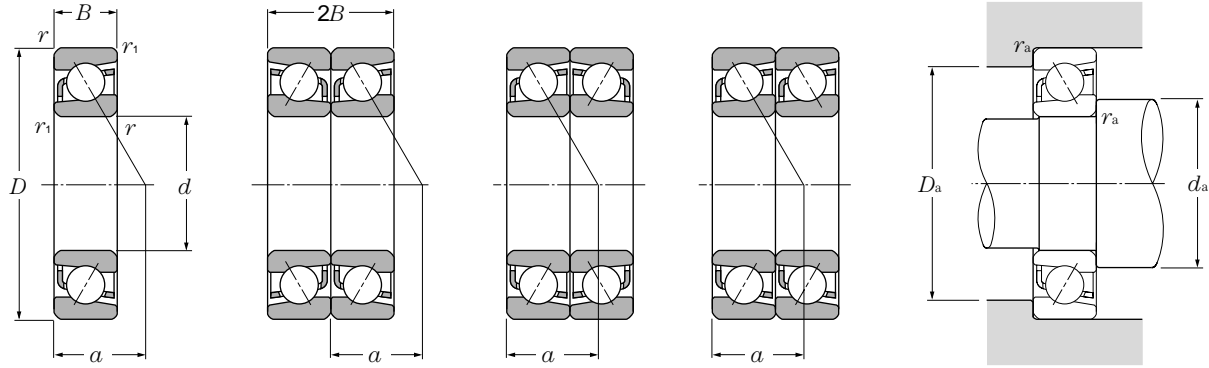
For single and DT arrangement,

When $P_{or} < F_r$ use $P_{or} = F_r$

Basic load ratings				Limiting speeds ^①		Bearing numbers ^②			Abutment and fillet dimensions						
dynamic (duplex) C_r	static C_{or}	dynamic (duplex) C_r	static C_{or}	(duplex) rpm		DB	DF	DT	mm						
kN		kgf		grease	oil				d_a min	d_b min	D_a max	D_b max	r_{as} max	r_{ias} max	
29.3	35.0	2,990	3,550	6,200	8,300	DB	DF	DT	65.5	65.5	79.5	80.5	1	0.6	
52.0	56.0	5,300	5,700	5,800	7,700	DB	DF	DT	67	67	88	90.5	1	0.6	
100	98.0	10,200	10,000	5,300	7,000	DB	DF	DT	68.5	65.5	101.5	104.5	1.5	1	
91.0	89.0	9,250	9,100	4,600	6,100	DB	DF	DT	68.5	65.5	101.5	104.5	1.5	1	
159	143	16,200	14,600	4,700	6,300	DB	DF	DT	72	67	118	123	2	1	
146	132	14,900	13,400	4,100	5,500	DB	DF	DT	72	67	118	123	2	1	
29.7	36.0	3,050	3,700	5,700	7,600	DB	DF	DT	70.5	70.5	84.5	85.5	1	0.6	
55.0	62.5	5,600	6,400	5,400	7,100	DB	DF	DT	72	72	93	95.5	1	0.6	
114	116	11,600	11,800	4,900	6,500	DB	DF	DT	73.5	70.5	111.5	114.5	1.5	1	
103	105	10,500	10,700	4,200	5,600	DB	DF	DT	73.5	70.5	111.5	114.5	1.5	1	
180	164	18,400	16,700	4,400	5,800	DB	DF	DT	77	72	128	133	2	1	
166	151	16,900	15,400	3,800	5,100	DB	DF	DT	77	72	128	133	2	1	
42.5	52.5	4,350	5,350	5,300	7,100	DB	DF	DT	75.5	75.5	94.5	95.5	1	0.6	
69.5	78.5	7,050	8,050	5,000	6,600	DB	DF	DT	77	77	103	105.5	1	0.6	
124	127	12,600	13,000	4,500	6,000	DB	DF	DT	78.5	75.5	116.5	119.5	1.5	1	
112	116	11,500	11,800	3,900	5,200	DB	DF	DT	78.5	75.5	116.5	119.5	1.5	1	
203	187	20,700	19,100	4,100	5,400	DB	DF	DT	82	77	138	143	2	1	
186	172	19,000	17,600	3,500	4,700	DB	DF	DT	82	77	138	143	2	1	
43.0	54.0	4,400	5,500	5,000	6,700	DB	DF	DT	80.5	80.5	99.5	100.5	1	0.6	
71.0	83.5	7,250	8,500	4,600	6,200	DB	DF	DT	82	82	108	110.5	1	0.6	
128	137	13,100	14,000	4,200	5,600	DB	DF	DT	83.5	80.5	121.5	124.5	1.5	1	
116	124	11,800	12,700	3,700	4,900	DB	DF	DT	83.5	80.5	121.5	124.5	1.5	1	
221	212	22,500	21,600	3,800	5,000	DB	DF	DT	87	82	148	153	2	1	
202	195	20,600	19,800	3,300	4,400	DB	DF	DT	87	82	148	153	2	1	
43.5	56.0	4,450	5,700	4,700	6,200	DB	DF	DT	85.5	85.5	104.5	105.5	1	0.6	
86.5	101	8,850	10,300	4,400	5,800	DB	DF	DT	87	87	118	120.5	1	0.6	
145	152	14,700	15,500	3,900	5,300	DB	DF	DT	90	85.5	130	134.5	2	1	
131	139	13,300	14,100	3,400	4,600	DB	DF	DT	90	85.5	130	134.5	2	1	
239	238	24,400	24,200	3,500	4,700	DB	DF	DT	92	87	158	163	2	1	
219	218	22,300	22,300	3,100	4,100	DB	DF	DT	92	87	158	163	2	1	
59.0	76.0	6,000	7,750	4,400	5,900	DB	DF	DT	92	92	113	115.5	1	0.6	
89.0	107	9,050	10,900	4,100	5,500	DB	DF	DT	92	92	123	125.5	1	0.6	
162	177	16,500	18,100	3,700	5,000	DB	DF	DT	95	90.5	140	144.5	2	1	
146	161	14,900	16,400	3,200	4,300	DB	DF	DT	95	90.5	140	144.5	2	1	

Note: For bearing series 79 and 70, inner rings are constructed with groove abutments on both sides. Therefore, the inner ring chamfer dimension r_i is identical to dimension r . Furthermore, the radius r_{is} of the shaft corner roundness is, likewise, identical to r_s .

Single and Duplex Arrangements



Single

Back-to-back arrangement (DB)

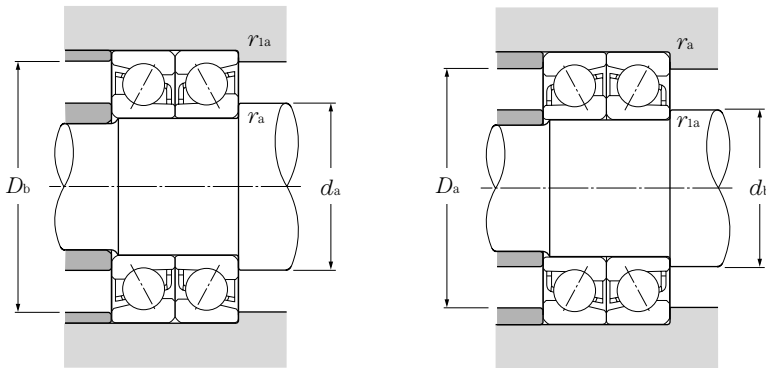
Face-to-face arrangement (DF)

Tandem arrangement (DT)

d 85 ~ 120mm

d	Boundary dimensions					Basic load ratings				Limiting speeds ^①		Bearing numbers ^②	Load center mm a	Mass kg single (approx.)
	D	B	2B	r _{s min} ^③	r _{is min} ^③	dynamic		static		grease	oil			
	mm	mm	mm	mm	mm	C _r	C _{or}	C _r	C _{or}	rpm	rpm			
85	180	41	82	3	1.1	159	133	16,200	13,500	4,200	5,600	7317	59	4.34
	180	41	82	3	1.1	146	122	14,800	12,400	3,600	4,800	7317B	76	4.43
90	125	18	36	1.1	0.6	36.0	38.0	3,650	3,850	5,200	7,000	7918	40	0.658
	140	24	48	1.5	1	65.0	63.5	6,650	6,450	4,900	6,500	7018	45	1.35
	160	30	60	2.0	1	118	103	12,000	10,500	4,400	5,900	7218	51	2.18
	160	30	60	2.0	1	107	94.0	10,900	9,550	3,800	5,000	7218B	67.5	2.22
	190	43	86	3.0	1.1	171	147	17,400	15,000	4,000	5,300	7318	62	5.06
190	43	86	3.0	1.1	156	135	15,900	13,800	3,400	4,500	7318B	80.5	5.16	
95	130	18	36	1.1	0.6	37.0	40.5	3,800	4,150	5,000	6,600	7919	41.5	0.688
	145	24	48	1.5	1	67.0	67.0	6,800	6,800	4,600	6,100	7019	46.5	1.41
	170	32	64	2.1	1.1	133	118	13,600	12,000	4,100	5,500	7219	54.5	2.67
	170	32	64	2.1	1.1	121	107	12,300	11,000	3,500	4,700	7219B	71.5	2.72
	200	45	90	3	1.1	183	162	18,600	16,600	3,700	5,000	7319	65	5.89
200	45	90	3	1.1	167	149	17,100	15,200	3,200	4,200	7319B	84.5	6	
100	140	20	40	1.1	0.6	48.0	52.5	4,900	5,350	4,700	6,200	7920	44.5	0.934
	150	24	48	1.5	1	68.5	70.5	6,950	7,200	4,400	5,800	7020	48	1.47
	180	34	68	2.1	1.1	144	126	14,700	12,800	3,900	5,200	7220	57.5	3.2
	180	34	68	2.1	1.1	130	114	13,300	11,700	3,400	4,500	7220B	76	3.26
	215	47	94	3	1.1	207	193	21,100	19,700	3,500	4,700	7320	69	7.18
215	47	94	3	1.1	190	178	19,400	18,100	3,000	4,000	7320B	89.5	7.32	
105	145	20	40	1.1	0.6	48.5	54.5	4,950	5,550	4,400	5,900	7921	46	0.972
	160	26	52	2	1	80.0	81.5	8,150	8,350	4,100	5,500	7021	51.5	1.86
	190	36	72	2.1	1.1	157	142	16,000	14,400	3,700	5,000	7221	60.5	3.79
	190	36	72	2.1	1.1	142	129	14,500	13,100	3,200	4,300	7221B	80	3.87
	225	49	98	3	1.1	220	210	22,400	21,500	3,400	4,500	7321	72	8.2
225	49	98	3	1.1	202	194	20,600	19,700	2,900	3,800	7321B	93.5	8.36	
110	150	20	40	1.1	0.6	49.5	56.0	5,050	5,700	4,200	5,700	7922	47.5	1.01
	170	28	56	2	1	92.0	93.0	9,350	9,450	3,900	5,300	7022	54.5	2.3
	200	38	76	2.1	1.1	170	158	17,300	16,100	3,500	4,700	7222	64	4.45
	200	38	76	2.1	1.1	154	144	15,700	14,700	3,000	4,000	7222B	84	4.54
	240	50	100	3	1.1	246	246	25,100	25,100	3,200	4,300	7322	76	9.6
240	50	100	3	1.1	226	226	23,000	23,100	2,700	3,700	7322B	99	9.8	
120	165	22	44	1.1	0.6	61.0	69.5	6,200	7,100	3,900	5,200	7924	52	1.66

① This value achieved with machined cages; when pressed cages are used, 80% of this value is acceptable.
 ② Bearing numbers appended with the code "B" have a contact angle of 40°; bearings with this code have a contact angle of 30°.
 ③ Minimal allowable dimension for chamfer dimension r or r_i. B-50



Equivalent bearing load

dynamic

$$P_r = XF_r + YF_a$$

Contact angle	e	Single, DT				DB, DF			
		$F_a/F_r \leq e$		$F_a/F_r > e$		$F_a/F_r \leq e$		$F_a/F_r > e$	
		X	Y	X	Y	X	Y	X	Y
30°	0.80	1	0	0.39	0.76	1	0.78	0.63	1.24
40°	1.14	1	0	0.35	0.57	1	0.55	0.57	0.93

static

$$P_{or} = X_o F_r + Y_o F_a$$

Contact angle	Single, DT		DB, DF	
	X_o	Y_o	X_o	Y_o
30°	0.5	0.33	1	0.66
40°	0.5	0.26	1	0.52

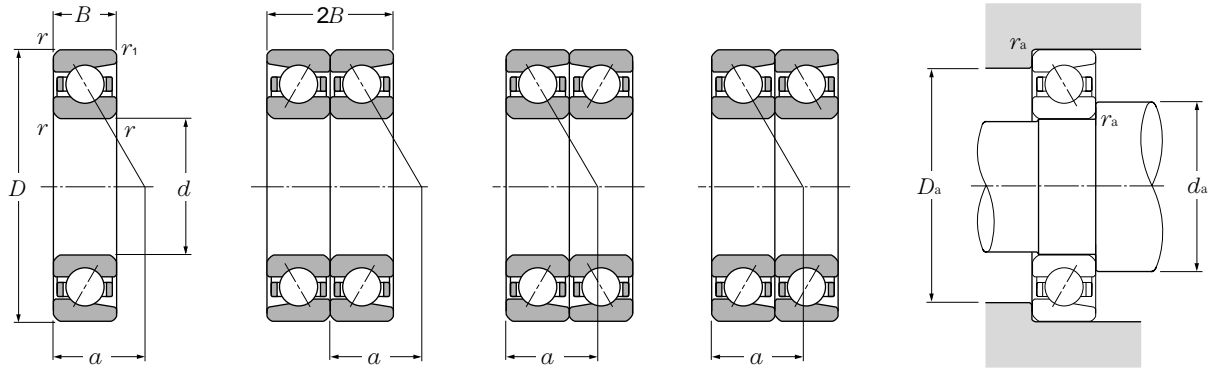
For single and DT arrangement,

When $P_{or} < F_r$ use $P_{or} = F_r$

Basic load ratings				Limiting speeds ^①		Bearing numbers ^②			Abutment and fillet dimensions					
dynamic (duplex) C_r	static C_{or}	dynamic (duplex) C_r	static C_{or}	(duplex) rpm		DB	DF	DT	mm					
kN		kgf		grease	oil				d_a min	d_b min	D_a max	D_b max	r_{as} max	r_{ias} max
258	265	26,300	27,000	3,300	4,500	DB	DF	DT	99	92	166	173	2.5	1
236	244	24,100	24,900	2,900	3,900	DB	DF	DT	99	92	166	173	2.5	1
58.0	75.5	5,900	7,700	4,200	5,500	DB	DF	DT	97	97	118	120.5	1	0.6
106	127	10,800	12,900	3,900	5,200	DB	DF	DT	98.5	98.5	131.5	134.5	1.5	1
191	206	19,500	21,000	3,500	4,700	DB	DF	DT	100	95.5	150	154.5	2	1
173	188	17,700	19,100	3,100	4,100	DB	DF	DT	100	95.5	150	154.5	2	1
277	294	28,300	30,000	3,200	4,200	DB	DF	DT	104	97	176	183	2.5	1
254	270	25,900	27,600	2,700	3,700	DB	DF	DT	104	97	176	183	2.5	1
60.5	81.5	6,150	8,300	3,900	5,300	DB	DF	DT	102	102	123	125.5	1	0.6
109	134	11,100	13,600	3,700	4,900	DB	DF	DT	103.5	103.5	136.5	139.5	1.5	1
217	236	22,100	24,100	3,300	4,400	DB	DF	DT	107	102	158	163	2	1
196	215	20,000	21,900	2,900	3,800	DB	DF	DT	107	102	158	163	2	1
297	325	30,500	33,000	3,000	3,900	DB	DF	DT	109	102	186	193	2.5	1
272	298	27,700	30,500	2,600	3,400	DB	DF	DT	109	102	186	193	2.5	1
78.0	105	7,950	10,700	3,700	5,000	DB	DF	DT	107	107	133	135.5	1	0.6
111	141	11,300	14,400	3,500	4,600	DB	DF	DT	108.5	108.5	141.5	144.5	1.5	1
233	251	23,800	25,600	3,100	4,200	DB	DF	DT	112	107	168	173	2	1
212	229	21,600	23,300	2,700	3,600	DB	DF	DT	112	107	168	173	2	1
335	385	34,500	39,500	2,800	3,700	DB	DF	DT	114	107	201	208	2.5	1
310	355	31,500	36,000	2,400	3,300	DB	DF	DT	114	107	201	208	2.5	1
79.0	109	8,050	11,100	3,500	4,700	DB	DF	DT	112	112	138	140.5	1	0.6
130	163	13,300	16,700	3,300	4,400	DB	DF	DT	115	115	150	154.5	2	1
254	283	25,900	28,900	3,000	4,000	DB	DF	DT	117	112	178	183	2	1
231	258	23,500	26,300	2,600	3,500	DB	DF	DT	117	112	178	183	2	1
355	420	36,500	43,000	2,700	3,600	DB	DF	DT	119	112	211	218	2.5	1
330	385	33,500	39,500	2,300	3,100	DB	DF	DT	119	112	211	218	2.5	1
80.0	112	8,150	11,400	3,400	4,500	DB	DF	DT	117	117	143	145.5	1	0.6
149	186	15,200	18,900	3,100	4,200	DB	DF	DT	120	120	160	164.5	2	1
276	315	28,100	32,500	2,800	3,800	DB	DF	DT	122	117	188	193	2	1
250	289	25,500	29,400	2,500	3,300	DB	DF	DT	122	117	188	193	2	1
400	490	41,000	50,000	2,600	3,400	DB	DF	DT	124	117	226	233	2.5	1
365	455	37,500	46,000	2,200	3,000	DB	DF	DT	124	117	226	233	2.5	1
99.0	139	10,100	14,200	3,100	4,100	DB	DF	DT	127	127	158	160.5	1	0.6

Note: For bearing series 79 and 70, inner rings are constructed with groove abutments on both sides. Therefore, the inner ring chamfer dimension r_i is identical to dimension r . Furthermore, the radius r_{is} of the shaft corner roundness is, likewise, identical to r_s .

Single and Duplex Arrangements



Single

Back-to-back arrangement (DB)

Face-to-face arrangement (DF)

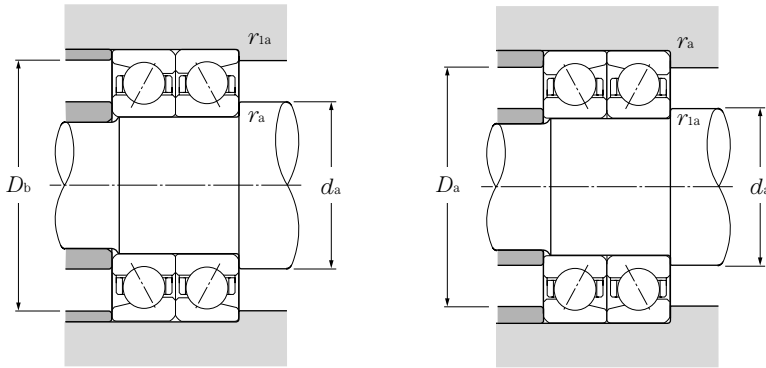
Tandem arrangement (DT)

d 120 ~ 170mm

d	Boundary dimensions					Basic load ratings				Limiting speeds		Bearing numbers	Load center mm a	Mass kg single (approx.)
	D	B	2B	r _{s min} ②	r _{is min} ②	dynamic	static	dynamic	static	grease	oil			
	mm					kN		kgf		rpm				
120	180	28	56	2	1	93.5	98.5	9,550	10,000	3,600	4,800	7024	57.5	2.47
	215	40	80	2.1	1.1	183	177	18,600	18,100	3,200	4,300	7224	68.5	6.26
	215	40	80	2.1	1.1	165	162	16,900	16,500	2,800	3,700	7224B	90.5	6.26
	260	55	110	3	1.1	246	252	25,100	25,700	2,900	3,900	7324	82.5	14.7
	260	55	110	3	1.1	225	231	23,000	23,600	2,500	3,300	7324B	107	14.7
130	180	24	48	1.5	1	75.0	87.5	7,650	8,900	3,600	4,700	7926	56.5	1.82
	200	33	66	2	1	117	125	12,000	12,800	3,300	4,400	7026	64	3.73
	230	40	80	3	1.1	196	198	20,000	20,200	3,000	4,000	7226	72	7.15
	230	40	80	3	1.1	177	180	18,100	18,300	2,500	3,400	7226B	95.5	7.15
	280	58	116	4	1.5	273	293	27,900	29,800	2,700	3,600	7326	88	17.6
	280	58	116	4	1.5	250	268	25,500	27,400	2,300	3,100	7326B	115	17.6
140	190	24	48	1.5	1	75.5	90.0	7,700	9,150	3,300	4,400	7928	59.5	1.94
	210	33	66	2	1	120	133	12,200	13,500	3,100	4,100	7028	67	3.96
	250	42	84	3	1.1	203	215	20,700	21,900	2,700	3,600	7228	77.5	8.78
	250	42	84	3	1.1	183	195	18,700	19,900	2,300	3,100	7228B	103	8.78
	300	62	124	4	1.5	300	335	30,500	34,500	2,500	3,300	7328	94.5	21.5
	300	62	124	4	1.5	275	310	28,100	31,500	2,100	2,800	7328B	123	21.5
150	210	28	56	2	1	97.5	117	9,900	11,900	3,100	4,100	7930	66	2.96
	225	35	70	2.1	1.1	137	154	14,000	15,700	2,800	3,800	7030	71.5	4.82
	270	45	90	3	1.1	232	259	23,700	26,400	2,500	3,400	7230	83	11
	270	45	90	3	1.1	210	235	21,400	24,000	2,200	2,900	7230B	111	11
	320	65	130	4	1.5	330	380	33,500	39,000	2,300	3,100	7330	100	25.1
	320	65	130	4	1.5	300	350	30,500	36,000	2,000	2,600	7330B	131	25.1
160	220	28	56	2	1	98.5	121	10,000	12,300	2,800	3,800	7932	69	3.13
	240	38	76	2.1	1.1	155	176	15,800	18,000	2,700	3,600	7032	77	5.96
	290	48	96	3	1.1	263	305	26,800	31,500	2,400	3,200	7232	89	13.7
	290	48	96	3	1.1	238	279	24,200	28,400	2,000	2,700	7232B	118	13.7
	340	68	136	4	1.5	345	420	35,500	43,000	2,100	2,800	7332	106	29.8
	340	68	136	4	1.5	315	385	32,000	39,500	1,800	2,400	7332B	139	29.8
170	230	28	56	2	1	102	129	10,400	13,100	2,700	3,600	7934	71.5	3.29
	260	42	84	2.1	1.1	186	214	18,900	21,900	2,500	3,300	7034	83	7.96
	310	52	104	4	1.5	295	360	30,000	36,500	2,200	3,000	7234	95.5	17
	310	52	104	4	1.5	266	325	27,200	33,000	1,900	2,500	7234B	127	17
	360	72	144	4	1.5	390	485	39,500	49,500	2,000	2,700	7334	113	35.3

① Bearing numbers appended with the code "B" have a contact angle of 40°; bearings with this code have a contact angle of 30°.

② Smallest allowable dimension for chamfer dimension r.



Equivalent bearing load

dynamic

$$P_r = X F_r + Y F_a$$

Contact angle	e	Single, DT				DB, DF			
		$F_a/F_r \leq e$		$F_a/F_r > e$		$F_a/F_r \leq e$		$F_a/F_r > e$	
		X	Y	X	Y	X	Y	X	Y
30°	0.80	1	0	0.39	0.76	1	0.78	0.63	1.24
40°	1.14	1	0	0.35	0.57	1	0.55	0.57	0.93

static

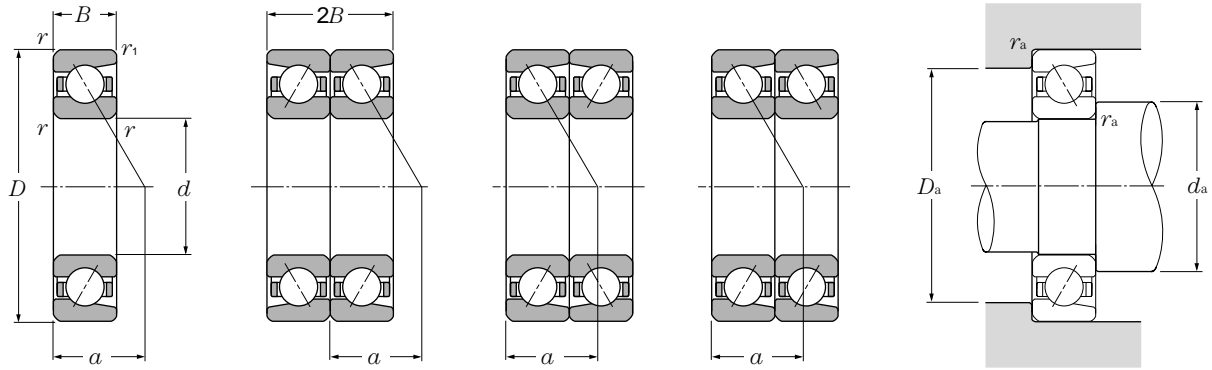
$$P_{or} = X_o F_r + Y_o F_a$$

Contact angle	Single, DT		DB, DF	
	X_o	Y_o	X_o	Y_o
30°	0.5	0.33	1	0.66
40°	0.5	0.26	1	0.52

For single and DT arrangement,

When $P_{or} < F_r$ use $P_{or} = F_r$

Basic load ratings				Limiting speeds		Bearing numbers ①			Abutment and fillet dimensions				
dynamic (duplex) kN	static C_{or}	dynamic (duplex) kgf	static C_{or}	(duplex) rpm		DB	DF	DT	mm				
C_r	C_{or}	C_r	C_{or}	grease	oil				d_a min	D_a max	D_b max	r_{as} max	r_{1as} max
152	197	15,500	20,100	2,900	3,800	DB	DF	DT	130	170	174.5	2	1
297	355	30,500	36,000	2,600	3,400	DB	DF	DT	132	203	208	2	1
269	325	27,400	33,000	2,300	3,000	DB	DF	DT	132	203	208	2	1
400	505	41,000	51,500	2,300	3,100	DB	DF	DT	134	246	253	2.5	1
365	460	37,500	47,000	2,000	2,700	DB	DF	DT	134	246	253	2.5	1
121	175	12,400	17,800	2,800	3,800	DB	DF	DT	138.5	171.5	174.5	1.5	1
191	251	19,400	25,600	2,600	3,500	DB	DF	DT	140	190	194.5	2	1
320	395	32,500	40,500	2,400	3,100	DB	DF	DT	144	216	223	2.5	1
288	360	29,400	36,500	2,100	2,700	DB	DF	DT	144	216	223	2.5	1
445	585	45,500	59,500	2,100	2,800	DB	DF	DT	148	262	271.5	3	1.5
405	535	41,500	54,500	1,900	2,500	DB	DF	DT	148	262	271.5	3	1.5
123	180	12,500	18,300	2,600	3,500	DB	DF	DT	148.5	181.5	184.5	1.5	1
194	265	19,800	27,000	2,400	3,300	DB	DF	DT	150	200	204.5	2	1
330	430	33,500	44,000	2,200	2,900	DB	DF	DT	154	236	243	2.5	1
297	390	30,500	40,000	1,900	2,500	DB	DF	DT	154	236	243	2.5	1
490	670	50,000	68,500	2,000	2,600	DB	DF	DT	158	282	291.5	3	1.5
445	615	45,500	63,000	1,700	2,300	DB	DF	DT	158	282	291.5	3	1.5
158	234	16,100	23,900	2,400	3,300	DB	DF	DT	160	200	204.5	2	1
222	305	22,700	31,500	2,300	3,000	DB	DF	DT	162	213	218	2	1
375	515	38,500	53,000	2,000	2,700	DB	DF	DT	164	256	263	2.5	1
340	470	34,500	48,000	1,800	2,400	DB	DF	DT	164	256	263	2.5	1
535	765	54,500	78,000	1,800	2,400	DB	DF	DT	168	302	311.5	3	1.5
490	700	50,000	71,500	1,600	2,100	DB	DF	DT	168	302	311.5	3	1.5
160	241	16,300	24,600	2,300	3,000	DB	DF	DT	170	210	214.5	2	1
252	355	25,700	36,000	2,100	2,800	DB	DF	DT	172	228	233	2	1
425	615	43,500	62,500	1,900	2,500	DB	DF	DT	174	276	283	2.5	1
385	555	39,500	57,000	1,600	2,200	DB	DF	DT	174	276	283	2.5	1
565	845	57,500	86,000	1,700	2,300	DB	DF	DT	178	322	331.5	3	1.5
515	770	52,500	79,000	1,500	2,000	DB	DF	DT	178	322	331.5	3	1.5
165	257	16,900	26,200	2,100	2,800	DB	DF	DT	180	220	224.5	2	1
300	430	31,000	43,500	2,000	2,600	DB	DF	DT	182	248	253	2	1
480	715	49,000	73,000	1,800	2,400	DB	DF	DT	188	292	301.5	3	1.5
435	650	44,000	66,500	1,500	2,100	DB	DF	DT	188	292	301.5	3	1.5
630	970	64,500	99,000	1,600	2,100	DB	DF	DT	188	342	351.5	3	1.5



Single

Back-to-back arrangement (DB)

Face-to-face arrangement (DF)

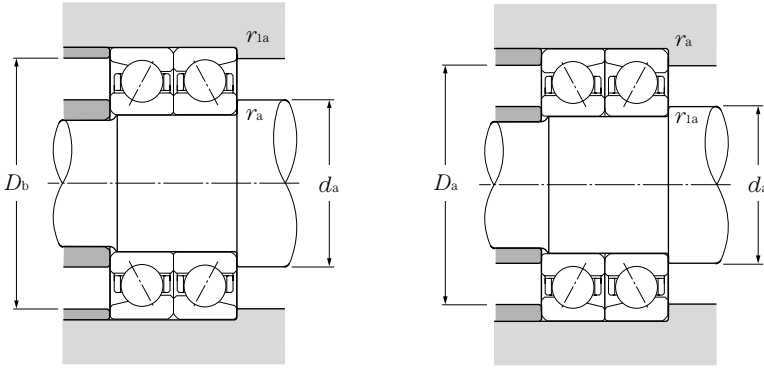
Tandem arrangement (DT)

d 170 ~ 300mm

d	Boundary dimensions					Basic load ratings				Limiting speeds		Bearing numbers	Load center mm a	Mass kg single (approx.)
	D	B	$2B$	$r_{s \min}$ ②	$r_{is \min}$ ②	dynamic	static	dynamic	static	grease	oil			
	mm					kN		kgf		rpm				
170	360	72	144	4	1.5	355	445	36,000	45,500	1,700	2,300	7334B	147	35.3
180	250	33	66	2	1	131	163	13,400	16,600	2,500	3,300	7936	78.5	4.87
	280	46	92	2.1	1.1	219	266	22,300	27,100	2,300	3,100	7036	89.5	10.4
	320	52	104	4	1.5	305	385	31,000	39,000	2,100	2,800	7236	98	17.7
	320	52	104	4	1.5	276	350	28,100	35,500	1,800	2,400	7236B	131	17.7
	380	75	150	4	1.5	410	535	41,500	54,500	1,900	2,500	7336	118	40.9
	380	75	150	4	1.5	375	490	38,000	50,000	1,600	2,100	7336B	155	40.9
190	260	33	66	2	1	133	169	13,500	17,200	2,400	3,200	7938	81.5	5.1
	290	46	92	2.1	1.1	224	280	22,800	28,600	2,200	2,900	7038	92.5	10.8
	340	55	110	4	1.5	305	390	31,000	39,500	2,000	2,600	7238	104	21.3
	340	55	110	4	1.5	273	355	27,800	36,000	1,700	2,200	7238B	139	21.3
	400	78	156	5	2	430	585	44,000	59,500	1,800	2,300	7338	124	47
	400	78	156	5	2	390	535	40,000	54,500	1,500	2,000	7338B	163	47
200	280	38	76	2.1	1.1	185	231	18,900	23,600	2,200	3,000	7940	88.5	7.15
	310	51	102	2.1	1.1	252	325	25,700	33,000	2,100	2,800	7040	99	14
	360	58	116	4	1.5	335	450	34,500	46,000	1,900	2,500	7240	110	25.3
	360	58	116	4	1.5	305	410	31,000	41,500	1,600	2,100	7240B	146	25.3
	420	80	160	5	2	450	605	46,000	62,000	1,700	2,200	7340	130	53.1
	420	80	160	5	2	410	555	42,000	56,500	1,400	1,900	7340B	170	53.1
220	300	38	76	2.1	1.1	187	239	19,000	24,300	2,000	2,700	7944	94	7.74
240	320	38	76	2.1	1.1	197	264	20,100	26,900	1,800	2,400	7948	100	8.34
260	360	46	92	2.1	1.1	258	375	26,300	38,000	1,700	2,200	7952	112	14
280	380	46	92	2.1	1.1	261	385	26,600	39,500	1,500	2,100	7956	118	14.8
300	420	56	112	3	1.1	325	520	33,500	53,000	1,400	1,900	7960	132	23.7

① Bearing numbers appended with the code "B" have a contact angle of 40°; bearings with this code have a contact angle of 30°.

② Minimal allowable dimension for chamfer dimension r or r_1 .



Equivalent bearing load

dynamic

$$P_r = X F_r + Y F_a$$

Contact angle	e	Single, DT				DB, DF				
		$F_a/F_r < e$	X	Y	$F_a/F_r > e$	X	Y	$F_a/F_r > e$	X	Y
30°	0.80	1	0	0.39	0.76	1	0.78	0.63	1.24	
40°	1.14	1	0	0.35	0.57	1	0.55	0.57	0.93	

static

$$P_{or} = X_o F_r + Y_o F_a$$

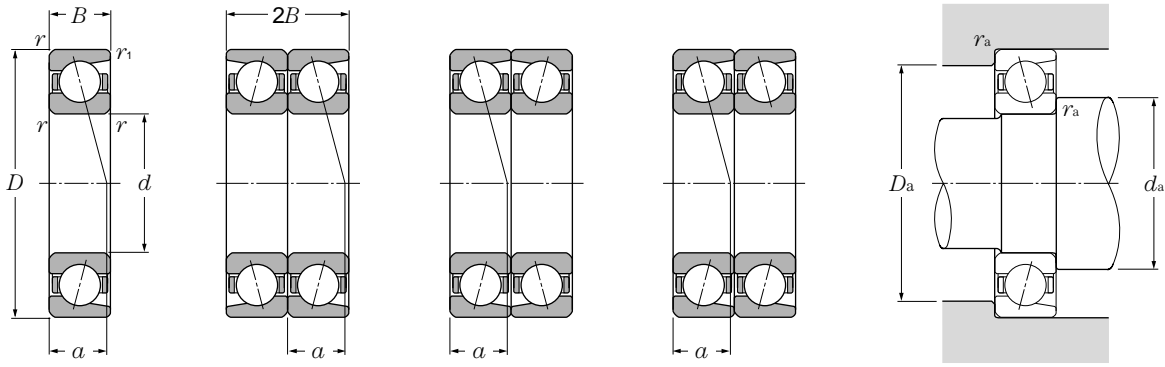
Contact angle	Single, DT		DB, DF	
	X_o	Y_o	X_o	Y_o
30°	0.5	0.33	1	0.66
40°	0.5	0.26	1	0.52

For single and DT arrangement,

When $P_{or} < F_r$ use $P_{or} = F_r$

Basic load ratings				Limiting speeds		Bearing numbers ①			Abutment and fillet dimensions				
dynamic (duplex) kN	static C _{or}	dynamic (duplex) kgf	static C _{or}	(duplex) rpm		DB	DF	DT	mm				
C _r	C _{or}	C _r	C _{or}	grease	oil				d _a min	D _a max	D _b max	r _{as} max	r _{1as} max
575	890	59,000	90,500	1,400	1,800	DB	DF	DT	188	342	351.5	3	1.5
213	325	21,700	33,500	2,000	2,700	DB	DF	DT	190	240	244.5	2	1
355	530	36,500	54,000	1,900	2,500	DB	DF	DT	192	268	273	2	1
495	770	50,500	78,500	1,700	2,200	DB	DF	DT	198	302	311.5	3	1.5
450	700	45,500	71,000	1,400	1,900	DB	DF	DT	198	302	311.5	3	1.5
665	1 070	68,000	109,000	1,500	2,000	DB	DF	DT	198	362	371.5	3	1.5
605	975	62,000	99,500	1,300	1,700	DB	DF	DT	198	362	371.5	3	1.5
216	335	22,000	34,500	1,900	2,500	DB	DF	DT	200	250	254.5	2	1
365	560	37,000	57,000	1,800	2,300	DB	DF	DT	202	278	283	2	1
495	780	50,000	79,500	1,600	2,100	DB	DF	DT	208	322	331.5	3	1.5
445	705	45,000	72,000	1,400	1,800	DB	DF	DT	208	322	331.5	3	1.5
695	1 170	71,000	119,000	1,400	1,900	DB	DF	DT	212	378	390	4	2
635	1 070	64,500	109,000	1,200	1,600	DB	DF	DT	212	378	390	4	2
300	465	30,500	47,000	1,800	2,400	DB	DF	DT	212	268	273	2	1
410	650	41,500	66,000	1,700	2,200	DB	DF	DT	212	298	303	2	1
550	900	56,000	92,000	1,500	2,000	DB	DF	DT	218	342	351.5	3	1.5
495	815	50,500	83,000	1,300	1,700	DB	DF	DT	218	342	351.5	3	1.5
730	1 210	74,500	124,000	1,300	1,800	DB	DF	DT	222	398	410	4	2
665	1 110	68,000	113,000	1,200	1,500	DB	DF	DT	222	398	410	4	2
305	475	31,000	48,500	1,600	2,100	DB	DF	DT	232	288	293	2	1
320	530	32,500	54,000	1,500	1,900	DB	DF	DT	252	308	313	2	1
420	750	42,500	76,500	1,300	1,800	DB	DF	DT	272	348	353	2	1
425	775	43,000	79,000	1,200	1,600	DB	DF	DT	292	368	373	2	1
530	1 040	54,000	106,000	1,100	1,500	DB	DF	DT	314	406	413	2.5	1

High Speed Single and Duplex Arrangements



Single

Back-to-back arrangement (DB)

Face-to-face arrangement (DF)

Tandem arrangement (DT)

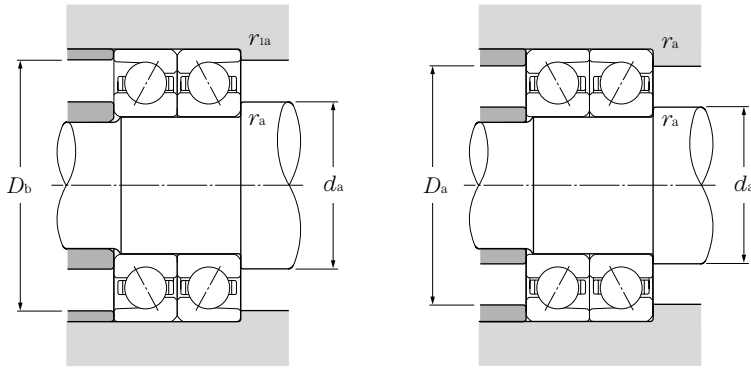
d 10 ~ 40mm

d	Boundary dimensions					Basic load ratings				Limiting speeds ^①		Bearing numbers	Load center a	Mass kg single (approx.)
	D	B	$2B$	$r_{s \min}$ ^②	$r_{is \min}$ ^②	dynamic	static	dynamic	static	rpm	rpm			
	mm	mm	mm	mm	mm	kN	kN	kgf	kgf	grease	oil			
10	26	8	16	0.3	0.15	4.90	2.20	500	225	43,000	58,000	7000C	6.5	0.019
	30	9	18	0.6	0.3	5.40	2.64	555	269	41,000	55,000	7200C	7	0.029
12	28	8	16	0.3	0.15	5.40	2.64	555	269	39,000	52,000	7001C	6.5	0.021
	32	10	20	0.6	0.3	7.10	3.45	720	355	36,000	49,000	7201C	8	0.036
15	32	9	18	0.3	0.15	6.25	3.40	635	345	34,000	45,000	7002C	7.5	0.029
	35	11	22	0.6	0.3	9.00	4.50	915	460	32,000	42,000	7202C	9	0.045
	42	13	26	1	0.6	13.30	6.85	1,360	700	28,000	38,000	7302C	10.5	0.081
17	35	10	20	0.3	0.15	7.70	4.10	785	420	31,000	41,000	7003C	8.5	0.038
	40	12	24	0.6	0.3	11.2	5.75	1,140	590	29,000	38,000	7203C	10	0.062
	47	14	28	1	0.6	15.7	8.25	1,600	840	26,000	35,000	7303C	11.5	0.109
20	42	12	24	0.6	0.3	10.5	6.05	1,070	615	27,000	36,000	7004C	10	0.066
	47	14	28	1	0.6	14.6	8.15	1,490	835	25,000	34,000	7204C	11.5	0.1
	52	15	30	1.1	0.6	18.5	9.95	1,890	1,020	23,000	31,000	7304C	12.5	0.14
25	37	7	14	0.3	0.15	5.05	3.85	515	390	27,000	36,000	7805C	7.5	0.021
	42	9	18	0.3	0.15	7.85	5.40	800	555	25,000	33,000	7905C	9	0.042
	47	12	24	0.6	0.3	11.7	7.45	1,190	755	23,000	31,000	7005C	11	0.078
	52	15	30	1	0.6	16.6	10.2	1,690	1,050	21,000	28,000	7205C	12.5	0.121
	62	17	34	1.1	0.6	26.4	15.3	2,690	1,560	19,000	26,000	7305C	14.5	0.222
30	42	7	14	0.3	0.15	5.35	4.50	545	460	23,000	31,000	7806C	8.5	0.025
	47	9	18	0.3	0.15	8.30	6.25	845	640	21,000	28,000	7906C	9.5	0.048
	55	13	26	1	0.6	15.1	10.3	1,540	1,050	20,000	26,000	7006C	12.5	0.112
	62	16	32	1	0.6	23.0	14.7	2,350	1,500	18,000	24,000	7206C	14	0.191
	72	19	38	1.1	0.6	32.5	20.3	3,300	2,070	16,000	22,000	7306C	16.5	0.33
35	47	7	14	0.3	0.15	5.80	5.25	590	535	20,000	27,000	7807C	9	0.028
	55	10	20	0.6	0.3	13.2	9.65	1,340	985	19,000	25,000	7907C	11	0.073
	62	14	28	1	0.6	19.1	13.7	1,950	1,390	17,000	23,000	7007C	13.5	0.149
	72	17	34	1.1	0.6	30.5	19.9	3,100	2,030	16,000	21,000	7207C	15.5	0.273
	80	21	42	1.5	1	40.5	25.8	4,100	2,630	14,000	19,000	7307C	18	0.44
40	52	7	14	0.3	0.15	6.05	5.75	615	585	18,000	24,000	7808C	9.5	0.031
	62	12	24	0.6	0.3	14.0	11.1	1,420	1,140	17,000	22,000	7908C	13	0.109
	68	15	30	1	0.6	20.6	15.9	2,100	1,620	15,000	21,000	7008C	14.5	0.184
	80	18	36	1.1	0.6	36.5	25.2	3,700	2,570	14,000	19,000	7208C	17	0.35

① This value was achieved with laminated phenol resin machined cages; in the case of molded resin cages, with oil lubricant, the value will be 75% of this.
 ② Minimal allowable dimension for chamfer dimension r or r_1 .

High Speed Single and Duplex Arrangements

NTN



Equivalent bearing load dynamic

$$P_r = XF_r + YF_a$$

$\frac{F_a}{C_{or}}$	e	Single, DT				DB, DF			
		$F_a/F_r \leq e$		$F_a/F_r > e$		$F_a/F_r \leq e$		$F_a/F_r > e$	
		X	Y	X	Y	X	Y	X	Y
0.010	0.37				1.51			1.70	2.46
0.020	0.39				1.45			1.62	2.35
0.040	0.41				1.36			1.52	2.21
0.070	0.44				1.28			1.43	2.08
0.10	0.46	1	0	0.44	1.22	1		1.37	1.98
0.15	0.49				1.15			1.29	1.87
0.20	0.51				1.10			1.23	1.78
0.30	0.55				1.02			1.15	1.66
0.40	0.56				1.00			1.12	1.63
0.50	0.56				1.00			1.12	1.63

static

$$P_{or} = X_o F_r + Y_o F_a$$

Single, DT		DB, DF	
X_o	Y_o	X_o	Y_o
0.5	0.46	1	0.92

For single and DT arrangement,

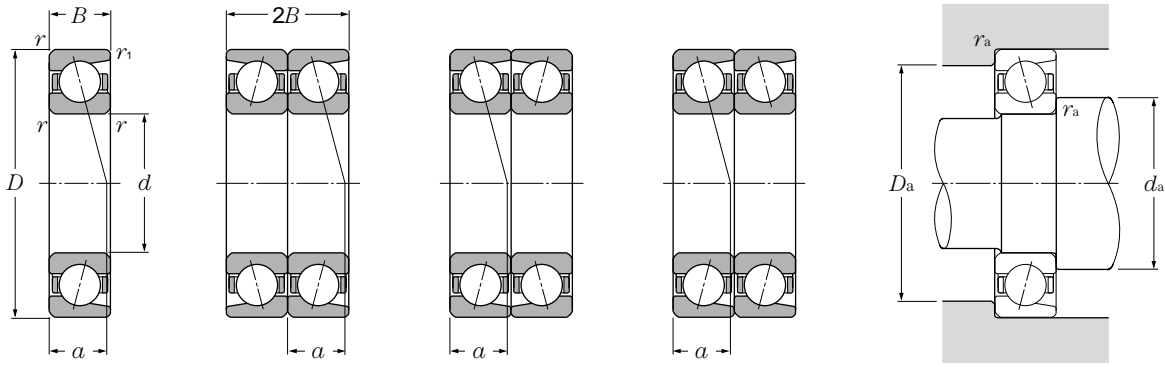
When $P_{or} < F_r$ use $P_{or} = F_r$

Basic load ratings				Limiting speeds ^①		Bearing numbers			Abutment and fillet dimensions				
dynamic (duplex) kN	static C_{or}	dynamic (duplex) kgf	static C_{or}	(duplex) rpm		DB	DF	DT	mm				
C_r	C_{or}	C_r	C_{or}	grease	oil				d_a min	D_a max	D_b max	r_{as} max	r_{ias} max
7.95	4.40	815	450	34,000	46,000	DB	DF	DT	12.5	23.5	24.8	0.3	0.15
8.80	5.25	900	540	32,000	43,000	DB	DF	DT	14.5	25.5	27.5	0.6	0.3
8.80	5.25	900	540	31,000	41,000	DB	DF	DT	14.5	25.5	26.8	0.3	0.15
11.5	6.95	1,170	705	29,000	38,000	DB	DF	DT	16.5	27.5	29.5	0.6	0.3
10.1	6.75	1,030	690	27,000	36,000	DB	DF	DT	17.5	29.5	30.8	0.3	0.15
14.6	9.05	1,490	920	25,000	33,000	DB	DF	DT	19.5	30.5	32.5	0.6	0.3
21.6	13.7	2,200	1,400	23,000	30,000	DB	DF	DT	20.5	36.5	37.5	1	0.6
12.5	8.25	1,280	840	24,000	33,000	DB	DF	DT	19.5	32.5	33.8	0.3	0.15
18.1	11.5	1,850	1,180	23,000	30,000	DB	DF	DT	21.5	35.5	37.5	0.6	0.3
25.6	16.5	2,610	1,680	21,000	27,000	DB	DF	DT	22.5	41.5	42.5	1	0.6
17.0	12.1	1,740	1,230	22,000	29,000	DB	DF	DT	24.5	37.5	39.5	0.6	0.3
23.7	16.3	2,420	1,670	20,000	27,000	DB	DF	DT	25.5	41.5	42.5	1	0.6
30.0	19.9	3,050	2,030	18,000	24,000	DB	DF	DT	27	45	47.5	1	0.6
8.20	7.65	835	780	21,000	28,000	DB	DF	DT	27.5	34.5	35.8	0.3	0.15
12.7	10.8	1,300	1,110	19,000	26,000	DB	DF	DT	27.5	39.5	40.8	0.3	0.15
19.0	14.9	1,940	1,510	18,000	24,000	DB	DF	DT	29.5	42.5	44.5	0.6	0.3
27.0	20.5	2,750	2,090	17,000	22,000	DB	DF	DT	30.5	46.5	47.5	1	0.6
43.0	30.5	4,350	3,100	15,000	20,000	DB	DF	DT	32	55	57.5	1	0.6
8.70	9.00	890	920	18,000	24,000	DB	DF	DT	32.5	39.5	40.8	0.3	0.15
13.5	12.5	1,380	1,280	17,000	22,000	DB	DF	DT	32.5	44.5	45.8	0.3	0.15
24.6	20.6	2,510	2,100	16,000	21,000	DB	DF	DT	35.5	49.5	50.5	1	0.6
37.5	29.5	3,800	3,000	14,000	19,000	DB	DF	DT	35.5	56.5	57.5	1	0.6
52.5	40.5	5,350	4,150	13,000	17,000	DB	DF	DT	37	65	67.5	1	0.6
9.40	10.5	960	1,070	16,000	21,000	DB	DF	DT	37.5	44.5	45.8	0.3	0.15
21.4	19.3	2,180	1,970	15,000	20,000	DB	DF	DT	39.5	50.5	52.5	0.6	0.3
31.0	27.3	3,150	2,790	14,000	18,000	DB	DF	DT	40.5	56.5	57.5	1	0.6
49.5	40.0	5,050	4,050	13,000	17,000	DB	DF	DT	42	65	67.5	1	0.6
65.5	51.5	6,700	5,250	11,000	15,000	DB	DF	DT	43.5	71.5	74.5	1.5	1
9.80	11.5	1,000	1,170	14,000	19,000	DB	DF	DT	42.5	49.5	50.8	0.3	0.15
22.7	22.3	2,310	2,270	13,000	18,000	DB	DF	DT	44.5	57.5	59.5	0.6	0.3
33.5	32.0	3,400	3,250	12,000	16,000	DB	DF	DT	45.5	62.5	63.5	1	0.6
59.0	50.5	6,000	5,150	11,000	15,000	DB	DF	DT	47	73	75.5	1	0.6

① For back-to-back and face-to-face duplex arrangements, find with the formula $2F_a / C_{or}$.

Note: This bearing has a contact angle of 15 °and is manufactured with accuracies of JIS Class 5 or higher.

High Speed Single and Duplex Arrangements

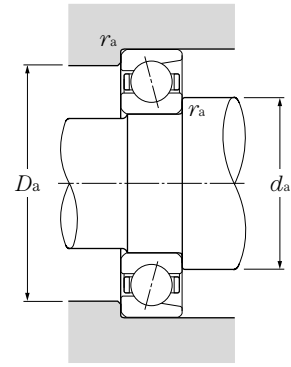


Single

Back-to-back arrangement (DB)

Face-to-face arrangement (DF)

Tandem arrangement (DT)



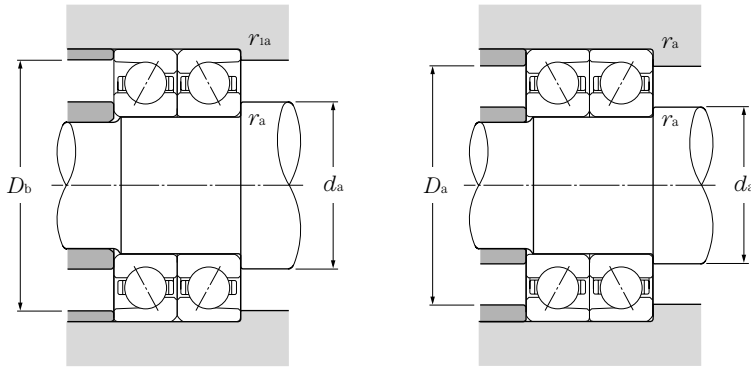
d 40 ~ 75mm

d	Boundary dimensions					Basic load ratings				Limiting speeds ^①		Bearing numbers	Load center mm a	Mass kg single (approx.)	
	D	B	2B	r _{s min} ^②	r _{is min} ^②	dynamic		static		grease	oil				
	mm	mm	mm	mm	mm	C _r	C _{or}	C _r	C _{or}	rpm	rpm				
40	90	23	46	1.5	1	49.5	32.5	5,050	3,300	13,000	17,000	7308C	20	0.606	
	45	58	7	14	0.3	0.15	7.60	7.40	775	755	16,000	21,000	7809C	10.5	0.038
		68	12	24	0.6	0.3	17.3	14.1	1,760	1,430	15,000	20,000	7909C	13.5	0.126
		75	16	32	1	0.6	24.4	19.3	2,490	1,960	14,000	19,000	7009C	16	0.233
		85	19	38	1.1	0.6	41.0	28.8	4,150	2,940	13,000	17,000	7209C	18	0.4
100	25	50	1.5	1	64.0	43.0	6,550	4,400	11,000	15,000	7309C	22.5	0.83		
50	65	7	14	0.3	0.15	7.90	8.05	805	820	14,000	19,000	7810C	11	0.049	
	72	12	24	0.6	0.3	18.3	15.8	1,870	1,620	14,000	18,000	7910C	14	0.131	
	80	16	32	1	0.6	26.0	21.9	2,650	2,230	13,000	17,000	7010C	16.5	0.253	
	90	20	40	1.1	0.6	43.0	31.5	4,350	3,250	12,000	15,000	7210C	19.5	0.454	
	110	27	54	2	1	75.0	51.5	7,650	5,250	10,000	14,000	7310C	24.5	1.05	
55	72	9	18	0.3	0.15	13.1	12.7	1,330	1,300	13,000	18,000	7811C	13	0.079	
	80	13	26	1.0	0.6	19.1	17.7	1,950	1,810	12,000	16,000	7911C	15.5	0.178	
	90	18	36	1.1	0.6	34.0	28.6	3,500	2,920	12,000	15,000	7011C	18.5	0.37	
	100	21	42	1.5	1	53.0	40.0	5,400	4,100	11,000	14,000	7211C	21	0.593	
	120	29	58	2.0	1	87.0	60.5	8,850	6,200	9,400	13,000	7311C	26.5	1.34	
60	78	10	20	0.3	0.15	13.4	13.6	1,370	1,390	12,000	16,000	7812C	14	0.101	
	85	13	26	1	0.6	20.0	19.5	2,040	1,990	11,000	15,000	7912C	16	0.191	
	95	18	36	1.1	0.6	35.0	30.5	3,550	3,150	11,000	14,000	7012C	19.5	0.387	
	110	22	44	1.5	1	64.0	49.5	6,550	5,050	9,700	13,000	7212C	22.5	0.757	
	130	31	62	2.1	1.1	99.0	70.5	10,100	7,150	8,700	12,000	7312C	28.5	1.68	
65	85	10	20	0.6	0.3	14.1	14.9	1,440	1,520	11,000	15,000	7813C	15	0.122	
	90	13	26	1	0.6	20.2	20.4	2,060	2,080	11,000	14,000	7913C	17	0.204	
	100	18	36	1.1	0.6	37.0	34.5	3,800	3,500	9,900	13,000	7013C	20	0.421	
	120	23	46	1.5	1	70.0	55.0	7,100	5,600	9,000	12,000	7213C	24	0.948	
	140	33	66	2.1	1.1	112	80.5	11,400	8,200	8,100	11,000	7313C	30	2.06	
70	90	10	20	0.6	0.3	14.5	15.8	1,470	1,610	10,000	14,000	7814C	15.5	0.13	
	100	16	32	1	0.6	28.9	29.0	2,950	2,960	9,900	13,000	7914C	19.5	0.331	
	110	20	40	1.1	0.6	47.0	43.0	4,800	4,400	9,200	12,000	7014C	22	0.583	
	125	24	48	1.5	1	76.0	60.0	7,750	6,150	8,300	11,000	7214C	25	1.04	
	150	35	70	2.1	1.1	126	92.0	12,900	9,350	7,500	10,000	7314C	32	2.5	
75	95	10	20	0.6	0.3	14.8	16.7	1,510	1,700	9,700	13,000	7815C	16.5	0.138	
	105	16	32	1	0.6	29.4	30.5	3,000	3,100	9,200	12,000	7915C	20	0.35	

① This value was achieved with laminated phenol resin machined cages; in the case of molded resin cages, with oil lubricant, the value will be 75% of this.
 ② Minimal allowable dimension for chamfer dimension r or r_s.

High Speed Single and Duplex Arrangements

NTN



Equivalent bearing load dynamic

$$P_r = XF_r + YF_a$$

$\frac{F_a}{C_{or}}$ ³⁾	e	Single, DT				DB, DF			
		$F_a/F_r \leq e$		$F_a/F_r > e$		$F_a/F_r \leq e$		$F_a/F_r > e$	
		X	Y	X	Y	X	Y	X	Y
0.010	0.37				1.51			1.70	2.46
0.020	0.39				1.45			1.62	2.35
0.040	0.41				1.36			1.52	2.21
0.070	0.44				1.28			1.43	2.08
0.10	0.46				1.22			1.37	1.98
0.15	0.49	1	0	0.44	1.15	1	0.72	1.29	1.87
0.20	0.51				1.10			1.23	1.78
0.30	0.55				1.02			1.15	1.66
0.40	0.56				1.00			1.12	1.63
0.50	0.56				1.00			1.12	1.63

static

$$P_{or} = X_o F_r + Y_o F_a$$

Single, DT		DB, DF	
X_o	Y_o	X_o	Y_o
0.5	0.46	1	0.92

For single and DT arrangement,

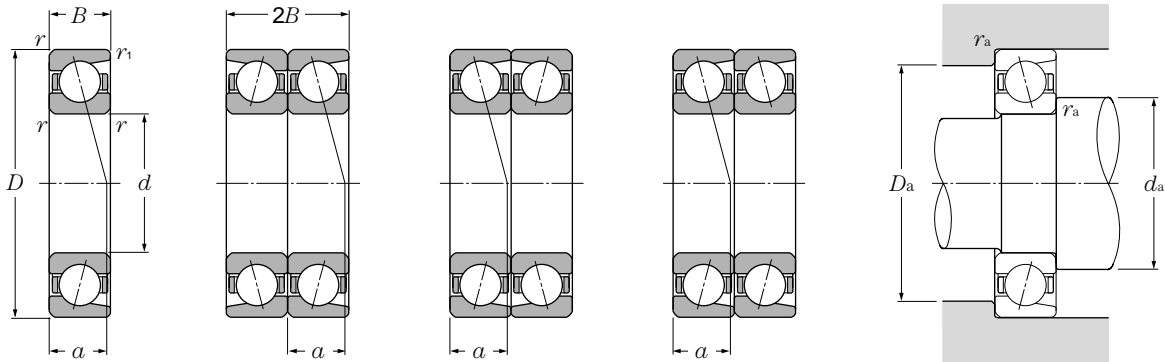
When $P_{or} < F_r$ use $P_{or} = F_r$

Basic load ratings				Limiting speeds ¹⁾		Bearing numbers			Abutment and fillet dimensions				
dynamic (duplex)	static	dynamic (duplex)	static	(duplex)		DB	DF	DT	mm				
C_r	C_{or}	C_r	C_{or}	grease	rpm oil				d_a min	D_a max	D_b max	r_{as} max	r_{ias} max
80.0	64.5	8,150	6,600	10,000	13,000	DB	DF	DT	48.5	81.5	84.5	1.5	1
12.3	14.8	1,260	1,510	13,000	17,000	DB	DF	DT	47.5	55.5	56.8	0.3	0.15
28.1	28.1	2,870	2,870	12,000	16,000	DB	DF	DT	49.5	63.5	65.5	0.6	0.3
39.5	38.5	4,050	3,950	11,000	15,000	DB	DF	DT	50.5	69.5	70.5	1	0.6
66.5	57.5	6,750	5,850	10,000	13,000	DB	DF	DT	52	78	80.5	1	0.6
104	86.0	10,600	8,800	9,000	12,000	DB	DF	DT	53.5	91.5	94.5	1.5	1
12.8	16.1	1,300	1,640	11,000	15,000	DB	DF	DT	52.5	62.5	63.8	0.3	0.15
29.8	31.5	3,050	3,250	11,000	14,000	DB	DF	DT	54.5	67.5	69.5	0.6	0.3
42.0	44.0	4,300	4,450	10,000	13,000	DB	DF	DT	55.5	74.5	75.5	1	0.6
69.5	63.5	7,100	6,450	9,100	12,000	DB	DF	DT	57	83	85.5	1	0.6
122	103	12,400	10,500	8,200	11,000	DB	DF	DT	60	100	104.5	2	1
21.2	25.5	2,160	2,600	10,000	14,000	DB	DF	DT	57.5	69.5	70.8	0.3	0.15
31.0	35.5	3,150	3,600	9,800	13,000	DB	DF	DT	60.5	74.5	75.5	1	0.6
55.5	57.5	5,650	5,850	9,200	12,000	DB	DF	DT	62	83	85.5	1	0.6
86.0	80.0	8,750	8,150	8,300	11,000	DB	DF	DT	63.5	91.5	94.5	1.5	1
141	121	14,400	12,400	7,500	9,900	DB	DF	DT	65	110	114.5	2	1
21.8	27.2	2,230	2,770	9,600	13,000	DB	DF	DT	62.5	75.5	76.8	0.3	0.15
32.5	39.0	3,300	4,000	9,000	12,000	DB	DF	DT	65.5	79.5	80.5	1	0.6
57.0	61.5	5,800	6,250	8,400	11,000	DB	DF	DT	67	88	90.5	1	0.6
104	99.0	10,600	10,100	7,700	10,000	DB	DF	DT	68.5	101.5	104.5	1.5	1
161	141	16,400	14,300	6,900	9,200	DB	DF	DT	72	118	123	2	1
22.9	29.9	2,340	3,050	8,900	12,000	DB	DF	DT	69.5	80.5	82.5	0.6	0.3
33.0	40.5	3,350	4,150	8,400	11,000	DB	DF	DT	70.5	84.5	85.5	1	0.6
60.5	68.5	6,150	7,000	7,800	10,000	DB	DF	DT	72	93	95.5	1	0.6
113	110	11,600	11,200	7,100	9,500	DB	DF	DT	73.5	111.5	114.5	1.5	1
182	161	18,600	16,400	6,400	8,500	DB	DF	DT	77	128	133	2	1
23.5	31.5	2,390	3,250	8,200	11,000	DB	DF	DT	74.5	85.5	87.5	0.6	0.3
47.0	58.0	4,800	5,900	7,800	10,000	DB	DF	DT	75.5	94.5	95.5	1	0.6
76.0	86.0	7,750	8,750	7,300	9,700	DB	DF	DT	77	103	105.5	1	0.6
123	120	12,600	12,300	6,600	8,800	DB	DF	DT	78.5	116.5	119.5	1.5	1
205	184	20,900	18,700	5,900	7,900	DB	DF	DT	82	138	143	2	1
24.0	33.5	2,450	3,400	7,700	10,000	DB	DF	DT	79.5	90.5	92.5	0.6	0.3
47.5	61.0	4,850	6,200	7,300	9,700	DB	DF	DT	80.5	99.5	100.5	1	0.6

³⁾ For back-to-back and face-to-face duplex arrangements, find with the formula $2F_a / C_{or}$.

Note: This bearing has a contact angle of 15 °and is manufactured with accuracies of JIS Class 5 or higher.

High Speed Single and Duplex Arrangements



Single

Back-to-back arrangement (DB)

Face-to-face arrangement (DF)

Tandem arrangement (DT)

d 75 ~ 105mm

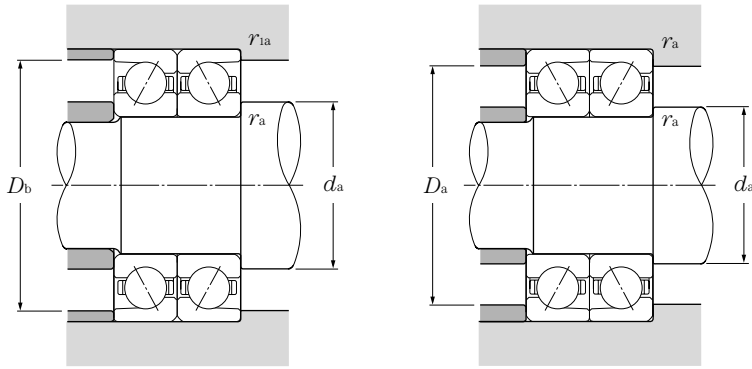
d	Boundary dimensions					Basic load ratings				Limiting speeds ^①		Bearing numbers	Load center a	Mass kg single (approx.)
	D	B	$2B$	$r_{s \min}$ ^②	$r_{is \min}$ ^②	dynamic	static	dynamic	static	grease	oil			
	mm	mm	mm	mm	mm	kN	kN	kgf	kgf	rpm	rpm			
75	115	20	40	1.1	0.6	48.0	45.5	4,900	4,650	8,600	11,000	7015C	22.5	0.63
	130	25	50	1.5	1	79.5	65.5	8,100	6,700	7,800	10,000	7215C	26.5	1.14
	160	37	74	2.1	1.1	137	104	14,000	10,600	7,000	9,300	7315C	34	3.09
80	100	10	20	0.6	0.3	15.1	17.6	1,540	1,790	9,100	12,000	7816C	17	0.146
	110	16	32	1	0.6	29.8	31.5	3,050	3,200	8,600	12,000	7916C	21	0.37
	125	22	44	1.1	0.6	58.5	55.5	6,000	5,650	8,000	11,000	7016C	24.5	0.822
	140	26	52	2	1	93.0	77.5	9,450	7,900	7,300	9,700	7216C	27.5	1.39
	170	39	78	2.1	1.1	149	117	15,200	11,900	6,500	8,700	7316C	36	3.55
85	110	13	26	1	0.6	22.1	24.7	2,250	2,520	8,600	11,000	7817C	19.5	0.257
	120	18	36	1.1	0.6	40.0	42.5	4,100	4,300	8,100	11,000	7917C	22.5	0.523
	130	22	44	1.1	0.6	60.0	58.5	6,150	6,000	7,600	10,000	7017C	25.5	0.862
	150	28	56	2	1	104	90.5	10,600	9,200	6,900	9,100	7217C	30	1.73
	180	41	82	3	1.1	161	130	16,400	13,300	6,200	8,200	7317C	38.5	4.18
90	115	13	26	1	0.6	22.7	26.1	2,320	2,670	8,100	11,000	7818C	20	0.27
	125	18	36	1.1	0.6	39.5	42.5	4,050	4,350	7,700	10,000	7918C	23.5	0.549
	140	24	48	1.5	1	71.5	69.0	7,300	7,050	7,100	9,500	7018C	27.5	1.12
	160	30	60	2	1	123	105	12,500	10,700	6,500	8,600	7218C	31.5	2.13
	190	43	86	3	1.1	183	158	18,700	16,100	5,800	7,800	7318C	40.5	4.88
95	120	13	26	1	0.6	23.4	27.6	2,380	2,820	7,600	10,000	7819C	21	0.283
	130	18	36	1.1	0.6	41.0	46.0	4,200	4,650	7,300	9,700	7919C	24	0.574
	145	24	48	1.5	1	73.5	73.0	7,500	7,450	6,800	9,000	7019C	28	1.17
	170	32	64	2.1	1.1	139	120	14,200	12,200	6,100	8,100	7219C	34	2.58
	200	45	90	3	1.1	196	174	20,000	17,800	5,500	7,300	7319C	42.5	5.65
100	125	13	26	1	0.6	23.5	28.3	2,400	2,890	7,200	9,600	7820C	21.5	0.296
	140	20	40	1.1	0.6	53.0	58.5	5,400	6,000	6,900	9,100	7920C	26	0.778
	150	24	48	1.5	1	75.5	77.0	7,700	7,900	6,400	8,600	7020C	28.5	1.25
	180	34	68	2.1	1.1	149	127	15,200	12,900	5,800	7,700	7220C	36	3.08
	215	47	94	3	1.1	222	207	22,700	21,100	5,200	6,900	7320C	44.5	6.9
105	130	13	26	1	0.6	24.1	29.8	2,460	3,050	6,900	9,200	7821C	22	0.31
	145	20	40	1.1	0.6	54.0	61.5	5,500	6,250	6,500	8,700	7921C	26.5	0.81
	160	26	52	2	1	88.0	89.5	9,000	9,100	6,100	8,100	7021C	31	1.53
	190	36	72	2.1	1.1	162	143	16,600	14,600	5,500	7,300	7221C	38	3.66
	225	49	98	3	1.1	236	226	24,100	23,000	4,900	6,600	7321C	46.5	7.86

① This value was achieved with laminated phenol resin machined cages; in the case of molded resin cages, with oil lubricant, the value will be 75% of this.

② Minimal allowable dimension for chamfer dimension r or r_1 .

High Speed Single and Duplex Arrangements

NTN



Equivalent bearing load dynamic

$$P_r = XF_r + YF_a$$

$\frac{F_a}{C_{or}}$	e	Single, DT				DB, DF			
		$F_a/F_r \leq e$		$F_a/F_r > e$		$F_a/F_r \leq e$		$F_a/F_r > e$	
		X	Y	X	Y	X	Y	X	Y
0.010	0.37				1.51		1.70		2.46
0.020	0.39				1.45		1.62		2.35
0.040	0.41				1.36		1.52		2.21
0.070	0.44				1.28		1.43		2.08
0.10	0.46	1	0	0.44	1.22	1	1.37	0.72	1.98
0.15	0.49				1.15		1.29		1.87
0.20	0.51				1.10		1.23		1.78
0.30	0.55				1.02		1.15		1.66
0.40	0.56				1.00		1.12		1.63
0.50	0.56				1.00		1.12		1.63

static

$$P_{or} = X_o F_r + Y_o F_a$$

Single, DT		DB, DF	
X_o	Y_o	X_o	Y_o
0.5	0.46	1	0.92

For single and DT arrangement,

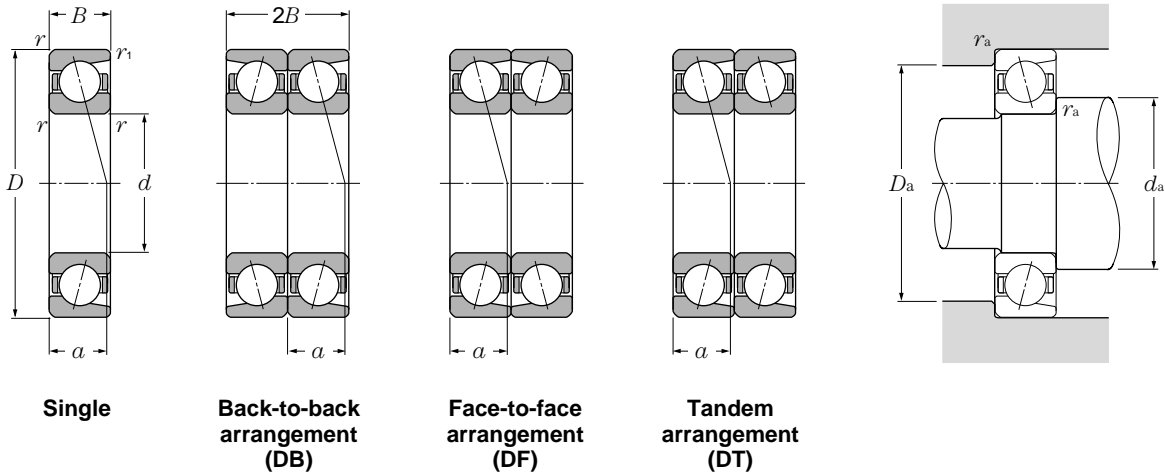
When $P_{or} < F_r$ use $P_{or} = F_r$

Basic load ratings				Limiting speeds ^①		Bearing numbers			Abutment and fillet dimensions				
dynamic (duplex)		static (duplex)		(duplex)		DB	DF	DT	mm				
C_r	C_{or}	C_r	C_{or}	grease	rpm oil				d_a min	D_a max	D_b max	r_{as} max	r_{ias} max
78.0	91.5	7,950	9,300	6,800	9,000	DB	DF	DT	82	108	110.5	1	0.6
129	131	13,100	13,400	6,200	8,200	DB	DF	DT	83.5	121.5	124.5	1.5	1
223	208	22,800	21,200	5,500	7,400	DB	DF	DT	87	148	153	2	1
24.6	35.0	2,510	3,600	7,200	9,600	DB	DF	DT	84.5	95.5	97.5	0.6	0.3
48.5	63.0	4,950	6,450	6,800	9,100	DB	DF	DT	85.5	104.5	105.5	1	0.6
95.5	111	9,700	11,300	6,400	8,500	DB	DF	DT	87	118	120.5	1	0.6
151	155	15,400	15,800	5,800	7,700	DB	DF	DT	90	130	134.5	2	1
242	234	24,700	23,800	5,200	6,900	DB	DF	DT	92	158	163	2	1
36.0	49.5	3,650	5,050	6,800	9,100	DB	DF	DT	90.5	104.5	105.5	1	0.6
65.0	84.5	6,650	8,650	6,400	8,600	DB	DF	DT	92	113	115.5	1	0.6
98.0	117	9,950	12,000	6,000	8,000	DB	DF	DT	92	123	125.5	1	0.6
169	181	17,200	18,400	5,400	7,200	DB	DF	DT	95	140	144.5	2	1
261	261	26,600	26,600	4,900	6,500	DB	DF	DT	99	166	173	2.5	1
37.0	52.5	3,750	5,350	6,400	8,500	DB	DF	DT	95.5	109.5	110.5	1	0.6
64.5	85.0	6,550	8,700	6,100	8,100	DB	DF	DT	97	118	120.5	1	0.6
116	138	11,900	14,100	5,700	7,500	DB	DF	DT	98.5	131.5	134.5	1.5	1
199	209	20,300	21,400	5,100	6,800	DB	DF	DT	100	150	154.5	2	1
297	315	30,500	32,000	4,600	6,100	DB	DF	DT	104	176	183	2.5	1
38.0	55.5	3,850	5,650	6,000	8,000	DB	DF	DT	100.5	114.5	115.5	1	0.6
67.0	91.5	6,850	9,350	5,800	7,700	DB	DF	DT	102	123	125.5	1	0.6
119	146	12,200	14,900	5,400	7,100	DB	DF	DT	103.5	136.5	139.5	1.5	1
226	240	23,000	24,400	4,800	6,400	DB	DF	DT	107	158	163	2	1
320	350	32,500	35,500	4,300	5,800	DB	DF	DT	109	186	193	2.5	1
38.0	56.5	3,900	5,750	5,700	7,600	DB	DF	DT	105.5	119.5	120.5	1	0.6
86.0	117	8,750	12,000	5,400	7,200	DB	DF	DT	107	133	135.5	1	0.6
122	154	12,500	15,800	5,100	6,800	DB	DF	DT	108.5	141.5	144.5	1.5	1
242	254	24,700	25,900	4,600	6,100	DB	DF	DT	112	168	173	2	1
360	415	37,000	42,000	4,100	5,500	DB	DF	DT	114	201	208	2.5	1
39.0	59.5	4,000	6,050	5,500	7,300	DB	DF	DT	110.5	124.5	125.5	1	0.6
87.5	123	8,900	12,500	5,200	6,900	DB	DF	DT	112	138	140.5	1	0.6
143	179	14,600	18,200	4,800	6,400	DB	DF	DT	115	150	154.5	2	1
264	286	26,900	29,100	4,400	5,800	DB	DF	DT	117	178	183	2	1
385	450	39,000	46,000	3,900	5,200	DB	DF	DT	119	211	218	2.5	1

① For back-to-back and face-to-face duplex arrangements, find with the formula $2F_a / C_{or}$.

Note: This bearing has a contact angle of 15 °and is manufactured with accuracies of JIS Class 5 or higher.

High Speed Single and Duplex Arrangements



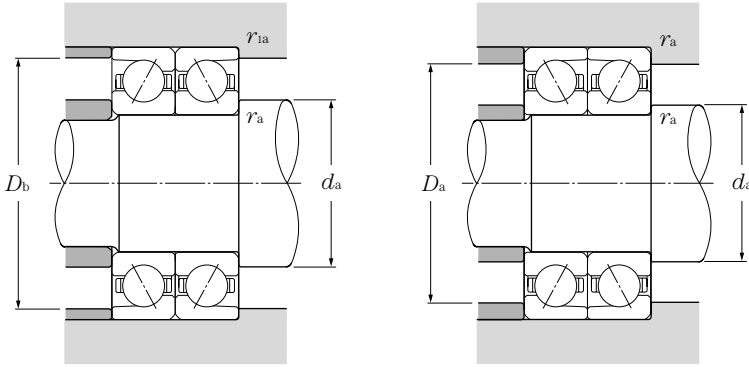
d 110 ~ 200mm

d	Boundary dimensions					Basic load ratings				Limiting speeds ^①		Bearing numbers	Load center mm a	Mass kg single (approx.)
	D	B	$2B$	$r_{s \min}$ ^②	$r_{is \min}$ ^②	dynamic	static	dynamic	static	rpm	rpm			
	mm	mm	mm	mm	mm	kN	kN	kgf	kgf	grease	oil			
110	140	16	32	1	0.6	34.5	42.5	3,550	4,350	6,500	8,700	7822C	24.5	0.486
	150	20	40	1.1	0.6	54.5	63.5	5,550	6,450	6,200	8,300	7922C	27.5	0.843
	170	28	56	2	1	101	101	10,300	10,300	5,800	7,700	7022C	33	1.91
	200	38	76	2.1	1.1	176	160	17,900	16,300	5,200	6,900	7222C	40	4.29
	240	50	100	3	1.1	249	241	25,400	24,600	4,700	6,300	7322C	48.5	9.22
120	150	16	32	1	0.6	35.0	44.5	3,600	4,550	6,000	8,000	7824C	26	0.525
	165	22	44	1.1	0.6	67.5	78.5	6,850	8,000	5,700	7,600	7924C	30	1.38
	180	28	56	2	1	103	108	10,500	11,000	5,300	7,100	7024C	34	2.04
	215	40	80	2.1	1.1	199	192	20,200	19,600	4,800	6,400	7224C	42.5	5.16
130	165	18	36	1.1	0.6	47.0	59.5	4,750	6,050	5,500	7,400	7826C	29	0.911
	180	24	48	1.5	1	82.5	98.0	8,450	10,000	5,200	7,000	7926C	33	1.82
	200	33	66	2	1	129	137	13,200	14,000	4,900	6,500	7026C	38.5	3.73
	230	40	80	3	1.1	213	214	21,700	21,800	4,400	5,800	7226C	44	5.83
140	175	18	36	1.1	0.6	47.5	62.5	4,850	6,350	5,100	6,800	7828C	30	0.973
	190	24	48	1.5	1	83.5	101	8,500	10,300	4,800	6,400	7928C	34	1.94
	210	33	66	2	1	132	145	13,500	14,800	4,500	6,000	7028C	40	3.96
	250	42	84	3	1.1	221	233	22,600	23,800	4,000	5,300	7228C	47	7.3
150	190	20	40	1.1	0.6	60.5	79.5	6,150	8,100	4,700	6,300	7830C	33	1.33
	210	28	56	2	1	108	132	11,000	13,400	4,500	6,000	7930C	38	2.96
	225	35	70	2.1	1.1	151	168	15,400	17,200	4,200	5,600	7030C	42.5	4.82
	270	45	90	3	1.1	253	281	25,800	28,600	3,700	5,000	7230C	50.5	11
160	200	20	40	1.1	0.6	62.0	83.5	6,300	8,500	4,400	5,900	7832C	34	1.41
	220	28	56	2	1	109	136	11,100	13,900	4,200	5,600	7932C	39.5	3.13
	240	38	76	2.1	1.1	171	193	17,400	19,700	3,900	5,200	7032C	46	5.96
170	215	22	44	1.1	0.6	76.0	102	7,750	10,400	4,100	5,500	7834C	37	1.87
	230	28	56	2	1	113	145	11,500	14,800	3,900	5,300	7934C	41	3.29
	260	42	84	2.1	1.1	205	234	20,900	23,900	3,700	4,900	7034C	50	7.96
180	280	46	92	2.1	1.1	241	290	24,500	29,600	3,400	4,600	7036C	54	10.4
190	290	46	92	2.1	1.1	247	305	25,100	31,500	3,200	4,300	7038C	55	10.8
200	310	51	102	2.1	1.1	277	355	28,200	36,000	3,100	4,100	7040C	59.5	14

① This value was achieved with laminated phenol resin machined cages; in the case of molded resin cages, with oil lubricant, the value will be 75% of this.
 ② Minimal allowable dimension for chamfer dimension r or r_1 .

High Speed Single and Duplex Arrangements

NTN



Equivalent bearing load dynamic

$$P_r = XF_r + YF_a$$

$\frac{F_a}{C_{or}}$ ³⁾	e	Single, DT				DB, DF			
		$F_a/F_r < e$		$F_a/F_r > e$		$F_a/F_r < e$		$F_a/F_r > e$	
		X	Y	X	Y	X	Y	X	Y
0.010	0.37				1.51		1.70		2.46
0.020	0.39				1.45		1.62		2.35
0.040	0.41				1.36		1.52		2.21
0.070	0.44				1.28		1.43		2.08
0.10	0.46	1	0	0.44	1.22	1	1.37	0.72	1.98
0.15	0.49				1.15		1.29		1.87
0.20	0.51				1.10		1.23		1.78
0.30	0.55				1.02		1.15		1.66
0.40	0.56				1.00		1.12		1.63
0.50	0.56				1.00		1.12		1.63

static

$$P_{or} = X_o F_r + Y_o F_a$$

Single, DT		DB, DF	
X_o	Y_o	X_o	Y_o
0.5	0.46	1	0.92

For single and DT arrangement,

When $P_{or} < F_r$ use $P_{or} = F_r$

Basic load ratings				Limiting speeds ^①		Bearing numbers			Abutment and fillet dimensions				
dynamic (duplex) kN	static C_{or}	dynamic (duplex) kgf	static C_{or}	(duplex) rpm		DB	DF	DT	mm				
C_r	C_{or}	C_r	C_{or}	grease	oil				d_a min	D_a max	D_b max	r_{as} max	r_{1as} max
56.0	85.0	5,750	8,700	5,200	6,900	DB	DF	DT	115.5	134.5	135.5	1	0.6
89.0	127	9,050	12,900	4,900	6,600	DB	DF	DT	117	143	145.5	1	0.6
164	203	16,700	20,700	4,600	6,100	DB	DF	DT	120	160	164.5	2	1
286	320	29,200	32,500	4,100	5,500	DB	DF	DT	122	188	193	2	1
405	485	41,000	49,000	3,700	5,000	DB	DF	DT	124	226	233	2.5	1
57.0	89.5	5,800	9,100	4,700	6,300	DB	DF	DT	125.5	144.5	145.5	1	0.6
109	157	11,200	16,000	4,500	6,000	DB	DF	DT	127	158	160.5	1	0.6
168	216	17,100	22,000	4,200	5,600	DB	DF	DT	130	170	174.5	2	1
325	385	33,000	39,000	3,800	5,000	DB	DF	DT	132	203	208	2	1
76.0	119	7,750	12,100	4,400	5,800	DB	DF	DT	137	158	160.5	1	0.60
134	196	13,700	20,000	4,100	5,500	DB	DF	DT	138.5	171.5	174.5	1.5	1
210	274	21,400	28,000	3,800	5,100	DB	DF	DT	140	190	194.5	2	1
345	430	35,500	43,500	3,500	4,600	DB	DF	DT	144	216	223	2.5	1
77.5	125	7,900	12,700	4,000	5,400	DB	DF	DT	147	168	170.5	1	0.6
136	203	13,800	20,700	3,800	5,100	DB	DF	DT	148.5	181.5	184.5	1.5	1
214	290	21,900	29,600	3,600	4,800	DB	DF	DT	150	200	204.5	2	1
360	465	36,500	47,500	3,200	4,200	DB	DF	DT	154	236	243	2.5	1
98.5	159	10,000	16,200	3,700	5,000	DB	DF	DT	157	183	185.5	1	0.6
175	263	17,800	26,800	3,600	4,800	DB	DF	DT	160	200	204.5	2	1
245	335	25,000	34,500	3,300	4,400	DB	DF	DT	162	213	218	2	1
410	560	42,000	57,500	3,000	4,000	DB	DF	DT	164	256	263	2.5	1
100	167	10,200	17,000	3,500	4,700	DB	DF	DT	167	193	195.5	1	0.6
177	272	18,100	27,800	3,300	4,400	DB	DF	DT	170	210	214.5	2	1
278	385	28,300	39,500	3,100	4,100	DB	DF	DT	172	228	233	2	1
123	204	12,600	20,800	3,300	4,400	DB	DF	DT	177	208	210.5	1	0.6
183	290	18,700	29,600	3,100	4,200	DB	DF	DT	180	220	224.5	2	1
330	470	34,000	48,000	2,900	3,900	DB	DF	DT	182	248	253	2	1
390	580	40,000	59,000	2,700	3,600	DB	DF	DT	192	268	273	2	1
400	615	41,000	62,500	2,600	3,400	DB	DF	DT	202	278	283	2	1
450	710	46,000	72,500	2,400	3,200	DB	DF	DT	212	298	303	2	1

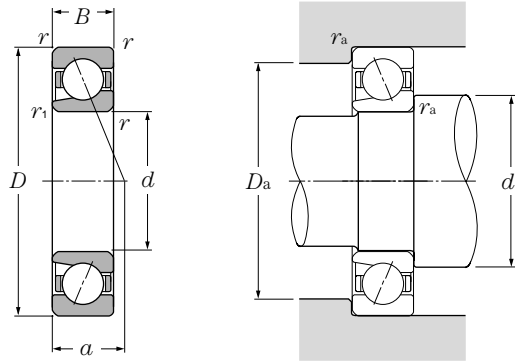
① For back-to-back and face-to-face duplex arrangements, find with the formula $2F_a / C_{or}$.

Note: This bearing has a contact angle of 15 °and is manufactured with accuracies of JIS Class 5 or higher.

Ultra-High Speed Angular Contact Ball Bearings

NTN

BNT type



Equivalent bearing load dynamic

$$P_r = X F_r + Y F_a$$

$\frac{F_a}{C_{or}}$	e	$\frac{F_a}{F_r} \leq e$		$\frac{F_a}{F_r} > e$	
		X	Y	X	Y
0.010	0.35				1.58
0.020	0.36				1.54
0.040	0.38				1.48
0.070	0.40				1.41
0.10	0.41				1.37
0.15	0.43	1	0	0.44	1.31
0.20	0.44				1.26
0.30	0.47				1.20
0.40	0.49				1.15
0.50	0.50				1.11

static

$$P_{or} = 0.52 F_r + 0.54 F_a$$

When $P_{or} < F_r$ use $P_{or} = F_r$

d 10 ~ 45mm

d	Boundary dimensions				Basic load ratings				Limiting speeds		Bearing numbers	Abutment and fillet dimensions			Load center	Mass
	mm				dynamic	static	dynamic	static	rpm			mm				
	D	B	$r_{s \min}$ ①	$r_{1s \min}$ ①	C_r	C_{or}	C_r	C_{or}	grease	oil		d_a min	D_a max	r_{as} max		
10	26	8	0.3	0.15	3.75	1.45	385	148	48,000	64,000	BNT000	12.5	23.5	0.3	6.5	0.015
	30	9	0.6	0.3	4.15	1.71	420	175	46,000	61,000	BNT200	14.5	25.5	0.6	7	0.019
12	28	8	0.3	0.15	4.15	1.73	420	176	43,000	57,000	BNT001	14.5	25.5	0.3	6.5	0.020
	32	10	0.6	0.3	5.40	2.28	550	232	40,000	54,000	BNT201	16.5	27.5	0.6	8	0.025
15	32	9	0.3	0.15	4.75	2.22	485	226	38,000	50,000	BNT002	17.5	29.5	0.3	7.5	0.029
	35	11	0.6	0.3	6.85	2.97	700	300	35,000	47,000	BNT202	19.5	30.5	0.6	9	0.035
17	35	10	0.3	0.15	5.90	2.70	600	275	34,000	46,000	BNT003	19.5	32.5	0.3	8.5	0.033
	40	12	0.6	0.3	8.55	3.80	870	385	32,000	42,000	BNT203	21.5	35.5	0.6	10	0.054
20	42	12	0.6	0.3	8.00	3.95	815	405	30,000	40,000	BNT004	24.5	37.5	0.6	10	0.057
	47	14	1	0.6	11.2	5.35	1,140	545	28,000	38,000	BNT204	25.5	41.5	1	11.5	0.092
25	47	12	0.6	0.3	8.95	4.85	910	495	25,000	34,000	BNT005	29.5	42.5	0.6	11	0.067
	52	15	1	0.6	12.7	6.70	1,290	685	24,000	31,000	BNT205	30.5	46.5	1	12.5	0.127
30	55	13	1	0.6	11.6	6.75	1,180	685	22,000	29,000	BNT006	35.5	49.5	1	12.5	0.109
	62	16	1	0.6	17.6	9.60	1,800	980	20,000	27,000	BNT206	35.5	56.5	1	14	0.201
35	62	14	1	0.6	14.6	8.95	1,490	910	19,000	26,000	BNT007	40.5	56.5	1	13.5	0.146
	72	17	1.1	0.6	23.2	13.1	2,370	1,330	18,000	24,000	BNT207	42	65	1	15.5	0.294
40	68	15	1	0.6	15.7	10.4	1,600	1,060	17,000	23,000	BNT008	45.5	62.5	1	14.5	0.182
	80	18	1.1	0.6	27.8	16.5	2,830	1,680	16,000	21,000	BNT208	47	73	1	17	0.383
45	75	16	1	0.6	18.6	12.6	1,900	1,290	15,000	21,000	BNT009	50.5	69.5	1	16	0.235
	85	19	1.1	0.6	31.0	18.9	3,200	1,920	14,000	19,000	BNT209	52	78	1	18	0.437

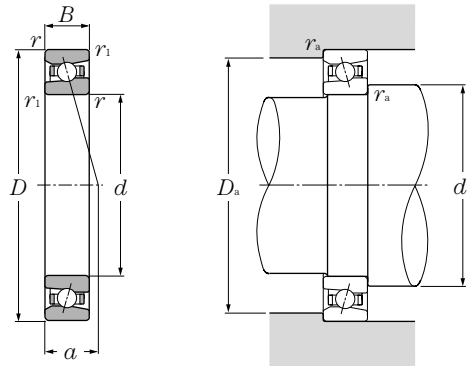
① Minimal allowable dimension for chamfer dimension r or r_1 .

Note: This bearing is manufactured with accuracies of JIS Class 5 or higher.

Ultra-High Speed Angular Contact Ball Bearings

NTN

HSB type



Equivalent bearing load
dynamic

$$P_r = XF_r + YF_a$$

$\frac{F_a}{C_{or}}$	e	$\frac{F_a}{F_r} \leq e$		$\frac{F_a}{F_r} > e$	
		X	Y	X	Y
0.010	0.35				1.58
0.020	0.36				1.54
0.040	0.38				1.48
0.070	0.40				1.41
0.10	0.41				1.37
0.15	0.43	1	0	0.44	1.31
0.20	0.44				1.26
0.30	0.47				1.20
0.40	0.49				1.15
0.50	0.50				1.11

static

$$P_{or} = 0.52F_r + 0.54F_a$$

When $P_{or} < F_r$ use $P_{or} = F_r$

d 50 ~ 110mm

d	Boundary dimensions				Basic load ratings				Limiting speeds		Bearing numbers	Abutment and fillet dimensions			Load center	Mass
	mm				dynamic	static	dynamic	static	rpm			mm				
	D	B	$r_{s \min}$ ①	$r_{1s \min}$ ①	C_r	C_{or}	C_r	C_{or}	grease	oil		d_a min	D_a max	r_{as} max		
50	72	12	0.6	0.3	10.6	7.30	1,080	745	15,000	20,000	HSB910C	54.5	67.5	0.6	14	0.141
	80	16	1	0.6	20.8	11.4	2,120	1,160	14,000	19,000	HSB010C	55.5	74.5	1	16.5	0.256
55	80	13	1	0.6	13.5	9.20	1,380	940	14,000	18,000	HSB911C	60.5	74.5	1	15.5	0.192
	90	18	1.1	0.6	22.6	13.6	2,300	1,380	13,000	17,000	HSB011C	62	83	1	18.5	0.397
60	85	13	1	0.6	13.9	9.95	1,420	1,010	13,000	17,000	HSB912C	65.5	79.5	1	16	0.206
	95	18	1.1	0.6	23.7	15.0	2,410	1,530	12,000	16,000	HSB012C	67	88	1	19.5	0.425
65	90	13	1	0.6	14.3	10.7	1,460	1,090	12,000	16,000	HSB913C	70.5	84.5	1	17	0.22
	100	18	1.1	0.6	24	15.8	2,450	1,610	11,000	15,000	HSB013C	72	93	1	20	0.452
70	100	16	1	0.6	18	13.5	1,830	1,370	11,000	15,000	HSB914C	75.5	94.5	1	19.5	0.362
	110	20	1.1	0.6	29.4	19.9	3,000	2,030	10,000	14,000	HSB014C	77	103	1	22	0.64
75	105	16	1	0.6	18.5	14.4	1,880	1,470	10,000	14,000	HSB915C	80.5	99.5	1	20	0.383
	115	20	1.1	0.6	31.5	22.4	3,200	2,290	9,500	13,000	HSB015C	82	108	1	22.5	0.68
80	110	16	1	0.6	18.9	15.4	1,930	1,570	9,600	13,000	HSB916C	85.5	104.5	1	20.5	0.405
	125	22	1.1	0.6	36	25.7	3,650	2,620	8,900	12,000	HSB016C	87	118	1	24.5	0.915
85	120	18	1.1	0.6	22.7	18.3	2,320	1,860	9,000	12,000	HSB917C	92	113	1	22.5	0.578
	130	22	1.1	0.6	36.5	26.8	3,700	2,740	8,400	11,000	HSB017C	92	123	1	25.5	0.959
90	125	18	1.1	0.6	23.4	19.5	2,380	1,980	8,500	11,000	HSB918C	97	118	1	23.5	0.607
	140	24	1.5	1	42	31.5	4,300	3,200	7,900	11,000	HSB018C	98.5	131.5	1.5	27.5	1.25
95	130	18	1.1	0.6	24	20.6	2,440	2,110	8,100	11,000	HSB919C	102	123	1	24	0.636
	145	24	1.5	1	42.5	32.5	4,350	3,350	7,500	10,000	HSB019C	103.5	136.5	1.5	28	1.3
100	140	20	1.1	0.6	33.5	28	3,450	2,850	7,600	10,000	HSB920C	107	133	1	26	0.856
	150	24	1.5	1	44	35	4,500	3,600	7,100	9,500	HSB020C	108.5	141.5	1.5	28.5	1.36
105	145	20	1.1	0.6	34.5	29.7	3,550	3,050	7,300	9,700	HSB921C	112	138	1	26.5	0.893
	160	26	2	1	50.5	40.5	5,150	4,150	6,700	9,000	HSB021C	115	150	2	31	1.73
110	150	20	1.1	0.6	35	30.5	3,550	3,150	6,900	9,200	HSB922C	117	143	1	27.5	0.928
	170	28	2	1	62.5	49.5	6,400	5,000	6,400	8,600	HSB022C	120	160	2	33	2.13

① Minimal allowable dimension for chamfer dimension r or r_1 .

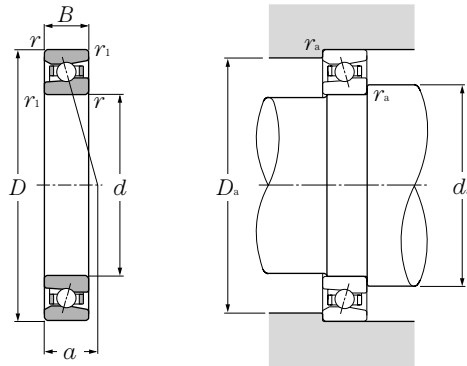
Note: This bearing is manufactured with accuracies of JIS Class 5 or higher.



Ultra-High Speed Angular Contact Ball Bearings

NTN

HSB type



Equivalent bearing load

dynamic

$$P_r = X F_r + Y F_a$$

$\frac{F_a}{C_{or}}$	e	$\frac{F_a}{F_r} \leq e$		$\frac{F_a}{F_r} > e$	
		X	Y	X	Y
0.010	0.35				1.58
0.020	0.36				1.54
0.040	0.38				1.48
0.070	0.40				1.41
0.10	0.41				1.37
0.15	0.43	1	0	0.44	1.31
0.20	0.44				1.26
0.30	0.47				1.20
0.40	0.49				1.15
0.50	0.50				1.11

static

$$P_{or} = 0.52 F_r + 0.54 F_a$$

When $P_{or} < F_r$ use $P_{or} = F_r$

d 120 ~ 170mm

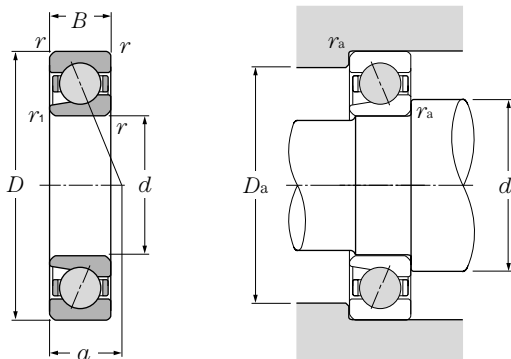
d	Boundary dimensions					Basic load ratings				Limiting speeds		Bearing numbers	Abutment and fillet dimensions			Load center	Mass
	mm					dynamic	static	dynamic	static	rpm			mm				
	D	B	r _s min	r _{1s} min	r ₁	C _r	C _{or}	C _r	C _{or}	grease	oil		d _a min	D _a max	r _{as} max		
120	165	22	1.1	0.60	41	36.5	4,150	3,750	6,300	8,500	HSB924C	127	158	1	30	1.27	
	180	28	2	1	63	51.5	6,450	5,250	5,900	7,900	HSB024C	130	170	2	34	2.28	
130	180	24	1.5	1	48.5	45	4,950	4,600	5,800	7,800	HSB926C	138.5	171.5	1.5	33	1.69	
	200	33	2	1	90.5	71	9,250	7,250	5,400	7,200	HSB026C	140	190	2	38.5	3.40	
140	190	24	1.5	1	48.5	46.5	4,950	4,750	5,400	7,100	HSB928C	148.5	181.5	1.5	34	1.8	
	210	33	2	1	93.5	77	9,550	7,850	5,000	6,700	HSB028C	150	200	2	40	3.68	
150	210	28	2	1	68	63	6,950	6,400	5,000	6,700	HSB930C	160	200	2	38	2.74	
	225	35	2.1	1.1	96.5	83	9,850	8,450	4,600	6,200	HSB030C	162	213	2	42.5	4.46	
160	220	28	2	1	69.5	66.5	7,100	6,800	4,600	6,200	HSB932C	170	210	2	39.5	2.89	
	240	38	2.1	1.1	113	97	11,500	9,850	4,300	5,800	HSB032C	172	228	2	46	5.46	
170	230	28	2	1	71	70.5	7,250	7,200	4,400	5,800	HSB934C	180	220	2	41	3.04	
	260	42	2.1	1.1	129	111	13,200	11,300	4,100	5,400	HSB034C	182	248	2	50	7.37	

① Minimal allowable dimension for chamfer dimension r or r₁.

Note: This bearing is manufactured with accuracies of JIS Class 5 or higher.



5S-BNT type



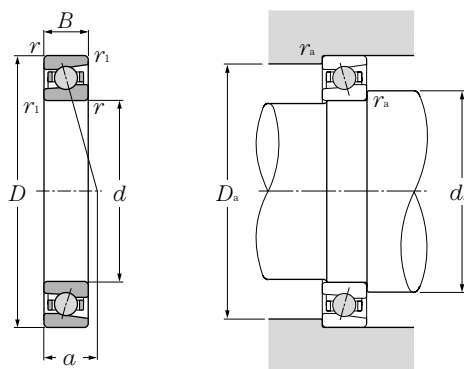
d 10 ~ 45mm

d	Boundary dimensions mm				Basic load ratings ^② dynamic (approx.) kN kgf		Bearing numbers	Abutment and fillet dimensions mm			Load center mm	Mass kg (approx.)
	D	B	r _{s min} ^①	r _{ls min} ^①	C _r	C _r		d _a min	D _a max	r _{as} max		
10	26	8	0.3	0.15	3.75	385	5S-BNT000	12.5	23.5	0.3	6.5	0.013
	30	9	0.6	0.3	4.95	500	5S-BNT200	14.5	25.5	0.6	7	0.016
12	28	8	0.3	0.15	4.15	420	5S-BNT001	14.5	25.5	0.3	6.5	0.018
	32	10	0.6	0.3	5.40	550	5S-BNT201	16.5	27.5	0.6	8	0.021
15	32	9	0.3	0.15	4.75	485	5S-BNT002	17.5	29.5	0.3	7.5	0.026
	35	11	0.6	0.3	6.85	700	5S-BNT202	19.5	30.5	0.6	9	0.03
17	35	10	0.3	0.15	5.90	600	5S-BNT003	19.5	32.5	0.3	8.5	0.029
	40	12	0.6	0.3	8.55	870	5S-BNT203	21.5	35.5	0.6	10	0.046
20	42	12	0.6	0.3	8.00	815	5S-BNT004	24.5	37.5	0.6	10	0.05
	47	14	1	0.6	11.2	1,140	5S-BNT204	25.5	41.5	1	11.5	0.08
25	47	12	0.6	0.3	8.95	910	5S-BNT005	29.5	42.5	0.6	11	0.059
	52	15	1	0.6	12.7	1,290	5S-BNT205	30.5	46.5	1	12.5	0.113
30	55	13	1	0.6	11.6	1,180	5S-BNT006	35.5	49.5	1	12.5	0.097
	62	16	1	0.6	17.6	1,800	5S-BNT206	35.5	56.5	1	14	0.113
35	62	14	1	0.6	14.6	1,490	5S-BNT007	40.5	56.5	1	13.5	0.128
	72	17	1.1	0.6	23.2	2,370	5S-BNT207	42	65	1	15.5	0.255
40	68	15	1	0.6	15.7	1,600	5S-BNT008	45.5	62.5	1	14.5	0.162
	80	18	1.1	0.6	27.8	2,830	5S-BNT208	47	73	1	17	0.331
45	75	16	1	0.6	18.6	1,900	5S-BNT009	50.5	69.5	1	16	0.208
	85	19	1.1	0.6	31.0	3,200	5S-BNT209	52	78	1	18	0.374

① Minimal allowable dimension for chamfer dimension r or r_1 .

② There is no JIS regulation table concerning basic rated loads for ceramic ball angular contact ball bearings. In NTN wear life testing, these bearings displayed the same wear life as steel angular contact ball bearings; therefore, the values for steel bearings have been given as reference.

5S-HSB type



d 50 ~ 120mm

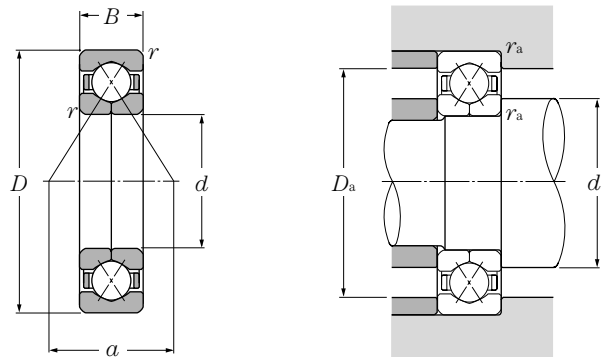
d	Boundary dimensions					Basic load ratings ^②		Bearing numbers	Abutment and fillet dimensions			Load center	Mass
	D	B	r _{s min} ^①	r _{ls min} ^①	C _r	C _r	d _{a min}		D _{a max}	r _{as max}	a		
50	72	12	0.6	0.3	10.6	1,080	5S-HSB910C 5S-HSB010C	54.5	67.5	0.6	14	0.134	
	80	16	1	0.6	20.8	2,120		55.5	74.5	1	16.5	0.234	
55	80	13	1	0.6	13.5	1,380	5S-HSB911C 5S-HSB011C	60.5	74.5	1	15.5	0.18	
	90	18	1.1	0.6	22.6	2,300		62	83	1	18.5	0.372	
60	85	13	1	0.6	13.9	1,420	5S-HSB912C 5S-HSB012C	65.5	79.5	1	16	0.194	
	95	18	1.1	0.6	23.7	2,410		67	88	1	19.5	0.398	
65	90	13	1	0.6	14.3	1,460	5S-HSB913C 5S-HSB103C	70.5	84.5	1	17	0.207	
	100	18	1.1	0.6	24.0	2,450		72	93	1	20	0.423	
70	100	16	1	0.6	18.0	1,830	5S-HSB914C 5S-HSB014C	75.5	94.5	1	19.5	0.343	
	110	20	1.1	0.6	29.4	3,000		77	103	1	22	0.601	
75	105	16	1	0.6	18.5	1,880	5S-HSB915C 5S-HSB015C	80.5	99.5	1	20	0.363	
	115	20	1.1	0.6	31.5	3,200		82	108	1	22.5	0.636	
80	110	16	1	0.6	18.9	1,930	5S-HSB916C 5S-HSB016C	85.5	104.5	1	20.5	0.384	
	125	22	1.1	0.6	36.0	3,650		87	118	1	24.5	0.86	
85	120	18	1.1	0.6	22.7	2,320	5S-HSB917C 5S-HSB017C	92	113	1	22.5	0.55	
	130	22	1.1	0.6	36.5	3,700		92	123	1	25.5	0.901	
90	125	18	1.1	0.6	23.4	2,380	5S-HSB918C 5S-HSB018C	97	118	1	23.5	0.577	
	140	24	1.5	1	42.0	4,300		98.5	131.5	1.5	27.5	1.18	
95	130	18	1.1	0.6	24.0	2,440	5S-HSB919C 5S-HSB019C	102	123	1	24	0.604	
	145	24	1.5	1	42.5	4,350		103.5	136.5	1.5	28	1.23	
100	140	20	1.1	0.6	33.5	3,450	5S-HSB920C 5S-HSB020C	107	133	1	26	0.837	
	150	24	1.5	1	44.0	4,500		108.5	141.5	1.5	28.5	1.28	
105	145	20	1.1	0.6	34.5	3,550	5S-HSB921C 5S-HSB021C	112	138	1	26.5	0.837	
	160	26	2	1	50.5	5,150		115	150	2	31	1.63	
110	150	20	1.1	0.6	35.0	3,550	5S-HSB922C 5S-HSB022C	117	143	1	27.5	0.87	
	170	28	2	1	62.5	6,400		120	160	2	33	1.99	
120	165	22	1.1	0.6	41.0	4,150	5S-HSB924C 5S-HSB024C	127	158	1	30	1.2	
	180	28	2	1	63.0	6,450		130	170	2	34	2.13	

① Minimal allowable dimension for chamfer dimension r or r_1 . ② There is no JIS formula concerning basic rated loads for ceramic ball angular contact ball bearings. In NTN fatigue life tests, these bearings achieved the same fatigue life as steel angular contact ball bearings; therefore, the values for steel bearings have been given as reference.

Note: For bearings with a bore diameter larger than 120mm, consult NTN Engineering.

Four-Point Contact Ball Bearings

QJ type



Equivalent bearing load
dynamic
 $P_a = F_a$
static
 $P_{oa} = F_a$

d 30 ~ 90mm

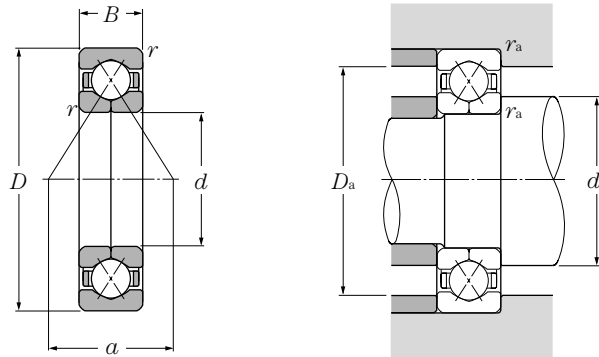
Boundary dimensions				Basic load ratings				Limiting speeds		Bearing numbers	Abutment and fillet dimensions			Load center	Mass
mm				dynamic	static	dynamic	static	rpm			mm				
d	D	B	r _{s min} ^①	C _a	C _{oa}	C _a	C _{oa}	grease	oil		d _{a min}	D _{a max}	r _{as max}	a	(approx.)
30	72	19	1.1	39.5	57.5	4,050	5,850	8,000	11,000	QJ306	37	65	1	30	0.42
	35	80	21	1.5	49.5	73.0	5,050	7,450	7,000		9,300	43.5	71.5	1.5	33
40	80	18	1.1	44.0	70.5	4,500	7,200	6,900	9,200	QJ208	47	73	1	34.5	0.45
	90	23	1.5	60.5	91.5	6,200	9,350	6,200	8,200		QJ308	48.5	81.5	1.5	37.5
45	85	19	1.1	49.5	81.0	5,050	8,250	6,200	8,200	QJ209	52	78	1	37.5	0.52
	100	25	1.5	79.0	121	8,050	12,300	5,500	7,400		QJ309	53.5	91.5	1.5	42
50	90	20	1.1	52.0	89.0	5,300	9,050	5,600	7,500	QJ210	57	83	1	40.5	0.603
	110	27	2	92.0	145	9,400	14,700	5,000	6,700		QJ310	60	100	2	46
55	100	21	1.5	64.0	112	6,550	11,400	5,100	6,800	QJ211	63.5	91.5	1.5	44.5	0.78
	120	29	2	106	170	10,900	17,400	4,600	6,100		QJ311	65	110	2	50.5
60	110	22	1.5	77.5	138	7,900	14,000	4,700	6,300	QJ212	68.5	101.5	1.5	49	0.98
	130	31	2.1	122	198	12,400	20,200	4,200	5,700		QJ312	72	118	2	55
65	120	23	1.5	84.5	153	8,600	15,600	4,400	5,800	QJ213	73.5	111.5	1.5	53.5	1.24
	140	33	2.1	138	228	14,100	23,200	3,900	5,200		QJ313	77	128	2	59
70	125	24	1.5	92.0	168	9,350	17,200	4,000	5,400	QJ214	78.5	116.5	1.5	56.5	1.36
	150	35	2.1	155	260	15,800	26,500	3,600	4,800		QJ314	82	138	2	63.5
75	130	25	1.5	96.0	183	9,750	18,600	3,800	5,000	QJ215	83.5	121.5	1.5	59	1.53
	160	37	2.1	169	294	17,200	30,000	3,400	4,500		QJ315	87	148	2	68
80	140	26	2	112	217	11,400	22,100	3,500	4,700	QJ216	90	130	2	63.5	1.83
	170	39	2.1	183	330	18,600	33,500	3,200	4,200		QJ316	92	158	2	72
85	150	28	2	126	252	12,800	25,700	3,300	4,400	QJ217	95	140	2	68	2.3
	180	41	3	197	370	20,100	37,500	3,000	4,000		QJ317	99	166	2.5	76.5
90	160	30	2	148	293	15,100	29,900	3,100	4,200	QJ218	100	150	2	72	2.76
	190	43	3	212	410	21,600	41,500	2,800	3,800		QJ318	104	176	2.5	81

① Smallest allowable dimension for chamfer dimension r.

Note: 1. These bearings are also manufactured with a slot in the chamfer section of the outer ring to stop whirling.

2. This bearing is widely used in applications where the only type of load is axial. When considering it for use where radial loads are applied, consult NTN Engineering.

QJ type



Equivalent bearing load

dynamic

$$P_a = F_a$$

static

$$P_{0a} = F_a$$

d 95 ~ 120mm

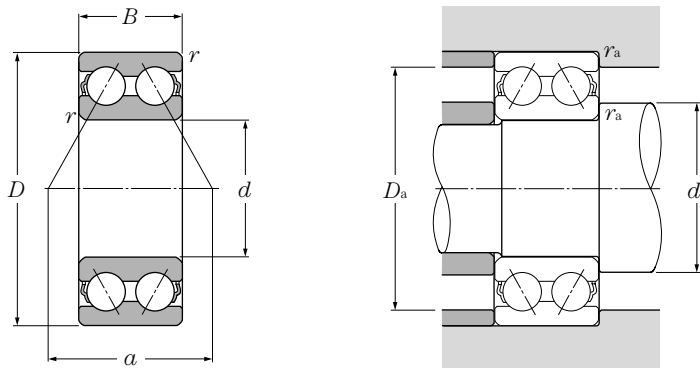
	Boundary dimensions				Basic load ratings				Limiting speeds		Bearing numbers	Abutment and fillet dimensions			Load center	Mass
	mm				dynamic	static	dynamic	static	rpm			mm				
d	D	B	r _{s min} ^①	C _a	C _{0a}	C _a	C _{0a}	grease	oil	d _{a min}	D _{a max}	r _{as max}	a	(approx.)		
95	170	32	2.1	168	335	17,200	34,000	3,000	3,900	QJ219	107	158	2	76.5	3.35	
	200	45	3	227	450	23,100	46,000	2,700	3,500	QJ319	109	186	2.5	85	7.41	
100	180	34	2.1	181	355	18,400	36,000	2,800	3,700	QJ220	112	168	2	81	4.02	
	215	47	3	273	585	27,800	59,500	2,500	3,400	QJ320	114	201	2.5	91	9.14	
105	190	36	2.1	197	400	20,100	41,000	2,700	3,600	QJ221	117	178	2	85	4.75	
	225	49	3	273	585	27,900	59,500	2,400	3,200	QJ321	119	211	2.5	95.5	10.4	
110	200	38	2.1	213	450	21,700	45,500	2,500	3,400	QJ222	122	188	2	89.5	5.62	
	240	50	3	305	680	31,000	69,500	2,300	3,100	QJ322	124	226	2.5	101	12	
120	215	40	2.1	240	540	24,500	55,000	2,300	3,100	QJ224	132	203	2	96.5	6.75	
	260	55	3	325	765	33,000	78,000	2,100	2,800	QJ324	134	246	2.5	110	15.9	

① Smallest allowable dimension for chamfer dimension r.

Note: 1. These bearings are also manufactured with a slot in the chamfer section of the outer ring to stop whirling.

2. This bearing is widely used in applications where the only type of load is axial. When considering it for use where radial loads are applied, consult NTN Engineering.

Double Row Angular Contact Ball Bearings



Equivalent bearing load

dynamic
 $P_r = XF_r + YF_a$

e	$\frac{F_a}{F_r} \leq e$		$\frac{F_a}{F_r} > e$	
	X	Y	X	Y
0.80	1	0.78	0.63	1.24

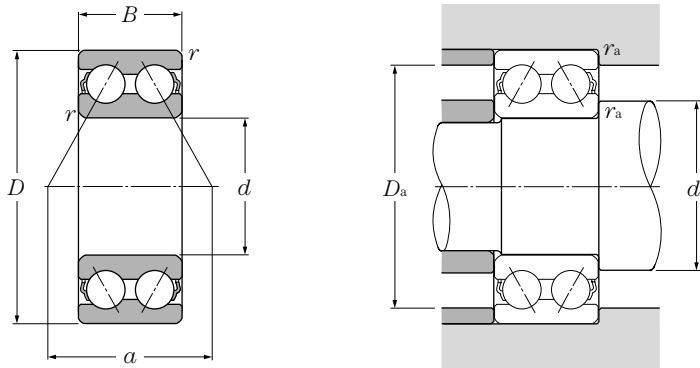
static

$P_{or} = F_r + 0.66F_a$

d 10 ~ 65mm

d	Boundary dimensions			Basic load ratings				Limiting speeds		Bearing numbers	Abutment and fillet dimensions			Load center	Mass
	mm			dynamic	static	dynamic	static	rpm			mm				
	D	B	$r_{s \min}$ ①	C_r	C_{or}	C_r	C_{or}	grease	oil		d_a	D_a	r_{as}		
10	30	14.3	0.6	6.95	3.80	710	385	14,000	19,000	5200	14.5	25.5	0.6	17.5	0.049
	12	32	15.9	0.6	9.15	5.05	930	515	13,000		17,000	5201	16.5	27.5	0.6
15	35	15.9	0.6	10.0	6.05	1,020	615	11,000	15,000	5202 5302	19.5	30.5	0.6	21	0.064
	42	19	1	17.2	10.1	1,760	1,030	9,900	13,000		5302	20.5	36.5	1	26
17	40	17.5	0.6	12.8	7.90	1,300	805	9,900	13,000	5203 5303	21.5	35.5	0.6	24	0.096
	47	22.2	1	20.4	12.1	2,080	1,230	9,000	12,000		5303	22.5	41.5	1	28.5
20	47	20.6	1	19.0	12.1	1,940	1,230	8,800	12,000	5204 5304	25.5	41.5	1	28	0.153
	52	22.2	1.1	20.6	12.7	2,110	1,290	8,000	11,000		5304	27	45	1	30.5
25	52	20.6	1	20.6	14.3	2,100	1,450	7,300	9,800	5205 5305	30.5	46.5	1	31.5	0.175
	62	25.4	1.1	30.5	20.5	3,100	2,090	6,700	8,900		5305	32	55	1	36.5
30	62	23.8	1	28.6	20.4	2,920	2,080	6,300	8,400	5206 5306	35.5	56.5	1	36.5	0.286
	72	30.2	1.1	39.5	27.5	4,050	2,800	5,700	7,600		5306	37	65	1	43
35	72	27	1.1	38.0	27.8	3,850	2,830	5,500	7,400	5207 5307	42	65	1	42.5	0.436
	80	34.9	1.5	49.5	35.0	5,050	3,550	5,000	6,600		5307	43.5	71.5	1.5	48.5
40	80	30.2	1.1	42.5	32.5	4,350	3,300	4,900	6,600	5208 5308	47	73	1	47.5	0.59
	90	36.5	1.5	60.5	44.0	6,150	4,500	4,400	5,900		5308	48.5	81.5	1.5	53.5
45	85	30.2	1.1	48.0	37.0	4,900	3,750	4,400	5,900	5209 5309	52	78	1	50.5	0.64
	100	39.7	1.5	72.5	54.0	7,400	5,500	4,000	5,300		5309	53.5	91.5	1.5	60
50	90	30.2	1.1	51.0	42.0	5,200	4,250	4,000	5,300	5210 5310	57	83	1	54	0.689
	110	44.4	2	85.5	64.5	8,700	6,600	3,600	4,800		5310	60	100	2	65.5
55	100	33.3	1.5	63.0	53.0	6,450	5,400	3,600	4,900	5211 5311	63.5	91.5	1.5	60.5	0.986
	120	49.2	2	106	82.0	10,800	8,400	3,300	4,400		5311	65	110	2	73
60	110	36.5	1.5	71.5	58.5	7,300	5,950	3,400	4,500	5212 5312	68.5	101.5	1.5	65.5	1.27
	130	54	2.1	122	95.5	12,400	9,750	3,000	4,000		5312	72	118	2	79.5
65	120	38.1	1.5	83.5	72.5	8,500	7,400	3,100	4,200	5213 5313	73.5	111.5	1.5	71	1.57
	140	58.7	2.1	138	109	14,000	11,200	2,800	3,700		5313	77	128	2	84.5

① Smallest allowable dimension for chamfer dimension r.



Equivalent bearing load dynamic

$$P_r = XF_r + YF_a$$

e	$\frac{F_a}{F_r} \leq e$		$\frac{F_a}{F_r} > e$	
	X	Y	X	Y
0.80	1	0.78	0.63	1.24

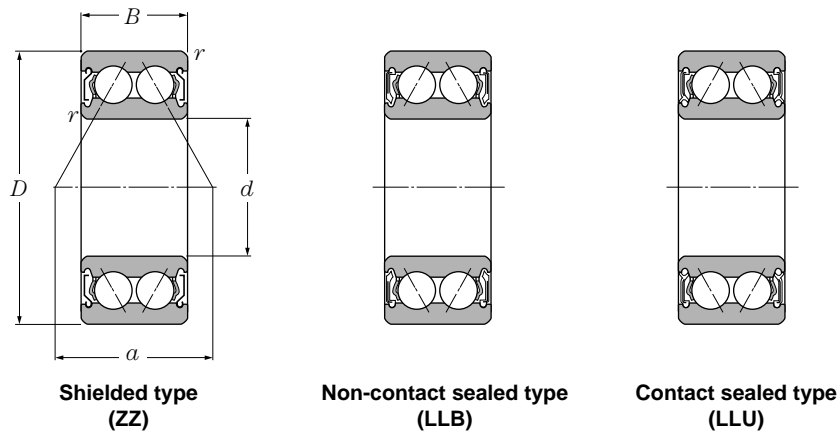
static

$$P_{or} = F_r + 0.66F_a$$

d 70 ~ 100mm

d	Boundary dimensions				Basic load ratings				Limiting speeds		Bearing numbers	Abutment and fillet dimensions			Load center	Mass
	mm				dynamic	static	dynamic	static	rpm			mm				
	D	B	$r_{s \min}$ ①	C_r	kN	C_{or}	kgf	C_{or}	grease	oil		d_a min	D_a max	r_{as} max		
70	125	39.7	1.5	90.5	79.5	9,250	8,100	2,900	3,900	5214	78.5	116.5	1.5	74.5	1.8	
	150	63.5	2.1	155	125	15,800	12,700	2,600	3,500	5314	82	138	2	93	4.74	
75	130	41.3	1.5	90.0	80.5	9,200	8,200	2,700	3,600	5215	83.5	121.5	1.5	78	1.9	
	160	68.3	2.1	168	141	17,200	14,400	2,400	3,200	5315	87	148	2	98	5.65	
80	140	44.4	2	106	95.5	10,800	9,700	2,500	3,400	5216	90	130	2	83.5	2.39	
85	150	49.2	2	112	106	11,400	10,900	2,400	3,200	5217	95	140	2	91	3.06	
90	160	52.4	2	140	129	14,300	13,100	2,200	3,000	5218	100	150	2	95.5	3.73	
95	170	55.6	2.1	159	148	16,200	15,000	2,100	2,800	5219	107	158	2	101	4.86	
100	180	60.3	2.1	178	167	18,200	17,100	2,000	2,700	5220	112	168	2	108	5.94	

① Smallest allowable dimension for chamfer dimension r.

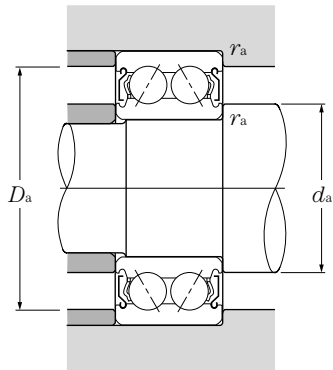


d 10 ~ 40mm

d	Boundary dimensions			Basic load ratings				Limiting speeds		Bearing numbers ^②		
	mm			dynamic	static	dynamic	static	rpm		sealed	non-contact type	contact type
	D	B	r _{s min} ^①	C _r	C _{or}	C _r	C _{or}	grease ZZ,LLB,LLU	oil Z,LB			
10	30	14.3	0.6	6.95	3.80	710	385	14,000	19,000	5200AZZ	LLB	LLU
12	32	15.9	0.6	7.60	4.50	775	455	13,000	17,000	5201AZZ	LLB	LLU
15	35	15.9	0.6	8.20	5.25	835	535	11,000	15,000	5202BZZ	LLB	LLU
	42	19	1	14.2	8.85	1,450	900	9,900	13,000	5302AZZ	LLB	LLU
17	40	17.5	0.6	10.8	7.10	1,100	720	9,900	13,000	5203BZZ	LLB	LLU
	47	22.2	1	17.4	10.4	1,770	1,060	9,000	12,000	5303CZZ	LLB	LLU
20	47	20.6	1	15.8	10.1	1,610	1,030	8,800	12,000	5204BZZ	LLB	LLU
	52	22.2	1.1	19.1	12.4	1,940	1,260	8,000	11,000	5304BZZ	LLB	LLU
25	52	20.6	1	18.2	13.2	1,850	1,350	7,300	9,800	5205BZZ	LLB	LLU
	62	25.4	1.1	26.5	17.9	2,700	1,830	6,700	8,900	5305CZZ	LLB	LLU
30	62	23.8	1	26.1	19.7	2,660	2,010	6,300	8,400	5206CZZ	LLB	LLU
	72	30.2	1.1	33.0	24.3	3,350	2,480	5,700	7,600	5306AZZ	LLB	LLU
35	72	27	1.1	33.0	24.5	3,350	2,500	5,500	7,400	5207AZZ	LLB	LLU
	80	34.9	1.5	49.5	35.0	5,050	3,550	5,000	6,600	5307AZZ	LLB	LLU
40	80	30.2	1.1	40.5	32.0	4,100	3,250	4,900	6,600	5208AZZ	LLB	LLU
	90	36.5	1.5	55.0	40.0	5,600	4,100	4,400	5,900	5308AZZ	LLB	LLU

① Smallest allowable dimension for chamfer dimension r.

② This bearing number is for double sealed and double shielded type bearings, but single sealed and single shielded type are also available.



Equivalent bearing load dynamic

$$P_r = XF_r + YF_a$$

e	$\frac{F_a}{F_r} \leq e$		$\frac{F_a}{F_r} > e$	
	X	Y	X	Y
0.80	1	0.78	0.63	1.24

static

$$P_{or} = F_r + 0.66F_a$$

Abutment and fillet dimensions				Load center mm a	Mass kg (approx.)
mm					
d_a		D_a	r_{as}		
min	max	max	max		
14.5	16	25.5	0.6	16.5	0.049
16.5	17	27.5	0.6	18.5	0.057
19.5	20	30.5	0.6	20.5	0.064
20.5	23	36.5	1	24	0.132
21.5	23	35.5	0.6	23	0.096
22.5	25	41.5	1	27	0.181
25.5	27	41.5	1	27.5	0.153
27	28.5	45	1	29.5	0.217
30.5	32	46.5	1	30.5	0.175
32	35	55	1	35.5	0.362
35.5	39	56.5	1	36.5	0.286
37	43	65	1	41	0.553
42	45	65	1	42	0.436
43.5	47	71.5	1.5	47.5	0.766
47	51	73	1	46	0.59
48.5	54	81.5	1.5	52.5	1.01





1. Design features and characteristics

The outer ring raceway of self-aligning ball bearings forms a spherical surface whose center is common to the bearing center. The inner ring of the bearing has two raceways. The balls, cage, and inner ring of these bearings are capable of a shifting in order to compensate for a certain degree of misalignment with the outer rings. As a result, the bearing is able to align itself and compensate for shaft / housing finishing unevenness, bearing fitting error, and other sources of misalignment as shown in **Diagram 1**.

However, **since axial load capacity is limited, self-aligning bearings are not suitable for applications with heavy axial loads.**

Furthermore, if an adapter is used on the tapered bore of the inner diameter, installation and disassembly are much simpler and for this reason adapters are often used on equipment with drive shafts.

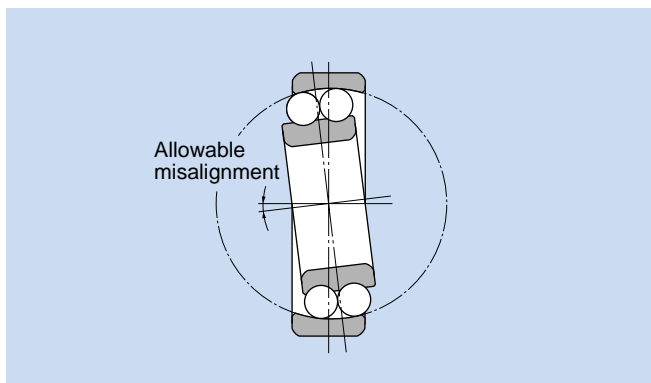


Diagram 1.

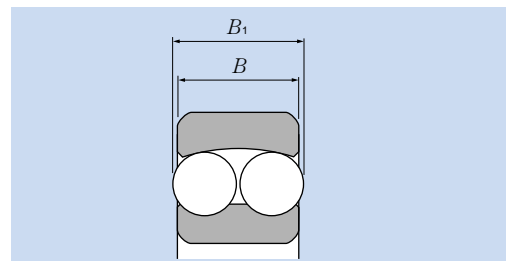
2. Standard cage types

Self-aligning ball bearings use pressed cages with the exception of the 1200-1206 series which use molded resin cages. The material characteristics of the resin cages make them unsuitable for use in applications where temperatures exceed 120°C.

3. Ball protrusion

Bearings with part numbers listed in **Diagram 2** below have balls which protrude slightly from the bearing face.

Their degree of protrusion is listed in **Diagram 2**.



Units mm

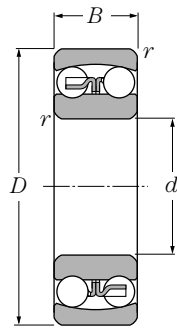
Bearing number	Width dimension B	Total width dimension B_1
1318 (K)	43	45
1319 (K)	45	48
1320 (K)	47	52
1321	49	54
1322 (K)	50	55

Diagram 2.

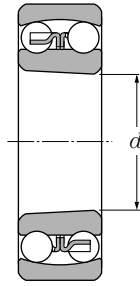
4. Allowable misalignment angle

Listed below are the allowable misalignment angles for bearings with self-aligning characteristics when placed under normal load conditions. This degree of allowable misalignment may be limited by the design of structures around the bearing.

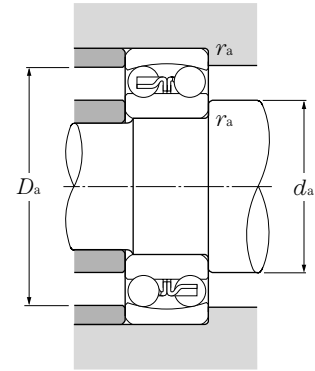
Allowable misalignment under normal loads (loads equivalent to $0.09 C_r$): 0.07 rad (4°)



Cylindrical bore



Tapered bore
taper 1:12



d 10 ~ 35mm

d	Boundary dimensions			Basic load ratings				Limiting speeds		Bearing numbers		Abutment and fillet dimensions		
	D	B	r _{s min} ^①	dynamic kN	static kgf	dynamic kgf	static	grease	oil	cylindrical bore	tapered bore ^②	d _{a min}	D _{a max}	r _{as max}
10	30	9	0.6	5.50	1.19	560	122	21,000	24,000	1200		14	26	0.6
	30	14	0.6	7.30	1.59	745	162	19,000	23,000	2200		14	26	0.6
	35	11	0.6	7.25	1.62	740	165	18,000	21,000	1300		14	31	0.6
	35	17	0.6	10.1	2.15	1,030	219	17,000	20,000	2300		14	31	0.6
12	32	10	0.6	5.60	1.27	570	130	18,000	22,000	1201		16	28	0.6
	32	14	0.6	7.60	1.73	775	177	17,000	20,000	2201		16	28	0.6
	37	12	1	9.45	2.16	965	221	16,000	18,000	1301		17	32	1
	37	17	1	11.8	2.71	1,200	277	15,000	17,000	2301		17	32	1
15	35	11	0.6	7.45	1.75	760	178	16,000	19,000	1202		19	31	0.6
	35	14	0.6	7.70	1.85	785	188	15,000	18,000	2202		19	31	0.6
	42	13	1	9.55	2.30	975	234	13,000	16,000	1302		20	37	1
	42	17	1	12.0	2.90	1,230	295	13,000	15,000	2302		20	37	1
17	40	12	0.6	7.90	2.01	805	205	14,000	17,000	1203		21	36	0.6
	40	16	0.6	9.80	2.41	995	246	13,000	16,000	2203		21	36	0.6
	47	14	1	12.5	3.20	1,280	325	12,000	14,000	1303		22	42	1
	47	19	1	14.4	3.55	1,470	365	11,000	14,000	2303		22	42	1
20	47	14	1	9.90	2.61	1,010	266	13,000	15,000	1204	1204K	25	42	1
	47	18	1	12.6	3.30	1,280	335	12,000	14,000	2204	2204K	25	42	1
	52	15	1.1	12.4	3.35	1,270	340	11,000	13,000	1304	1304K	26.5	45.5	1
	52	21	1.1	18.1	4.70	1,850	480	10,000	12,000	2304	2304K	26.5	45.5	1
25	52	15	1	12.1	3.30	1,230	335	11,000	13,000	1205	1205K	30	47	1
	52	18	1	12.3	3.45	1,250	350	10,000	12,000	2205	2205K	30	47	1
	62	17	1.1	18.0	5.00	1,830	510	9,100	11,000	1305	1305K	31.5	55.5	1
	62	24	1.1	24.4	6.60	2,490	670	8,500	10,000	2305	2305K	31.5	55.5	1
30	62	16	1	15.6	4.65	1,590	475	9,200	11,000	1206	1206K	35	57	1
	62	20	1	15.2	4.50	1,550	460	8,600	10,000	2206	2206K	35	57	1
	72	19	1.1	21.3	6.30	2,170	645	7,700	9,100	1306	1306K	36.5	65.5	1
	72	27	1.1	31.5	8.75	3,200	895	7,200	8,500	2306	2306K	36.5	65.5	1
35	72	17	1.1	15.8	5.10	1,610	520	8,000	9,400	1207	1207K	41.5	65.5	1
	72	23	1.1	21.5	6.60	2,190	670	7,500	8,800	2207	2207K	41.5	65.5	1
	80	21	1.5	25.1	7.85	2,560	800	6,800	8,000	1307	1307K	43	72	1.5
	80	31	1.5	39.5	11.3	4,000	1,150	6,300	7,400	2307	2307K	43	72	1.5

① Smallest allowable dimension for chamfer dimension r. ② "K" indicates bearings have tapered bore with a taper ratio of 1: 12.

Equivalent bearing load dynamic

$$P_r = XF_r + YF_a$$

$\frac{F_a}{F_r} \leq e$		$\frac{F_a}{F_r} > e$	
X	Y	X	Y
1	Y ₁	0.65	Y ₂

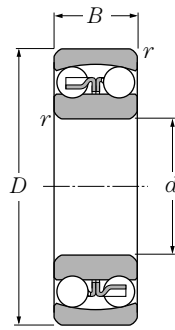
static

$$P_{or} = F_r + Y_o F_a$$

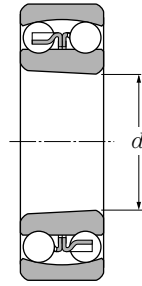
For values of e , Y_1 , Y_2 and Y_o see the table below.

Constant	Axial load factors			Mass	
	e	Y_1	Y_2	Y_o	kg cylindrical bore tapered bore (approx.)
0.32	2	3.09	2.09	0.033	
0.64	0.98	1.52	1.03	0.047	
0.34	1.85	2.87	1.94	0.058	
0.67	0.95	1.46	0.99	0.083	
0.36	1.76	2.73	1.85	0.04	
0.58	1.09	1.69	1.14	0.051	
0.33	1.91	2.95	2	0.066	
0.61	1.03	1.59	1.08	0.091	
0.33	1.91	2.95	2	0.049	
0.50	1.25	1.94	1.31	0.06	
0.34	1.86	2.88	1.95	0.092	
0.52	1.22	1.88	1.27	0.114	
0.31	2.03	3.14	2.12	0.072	
0.51	1.23	1.90	1.29	0.088	
0.32	1.97	3.06	2.07	0.128	
0.52	1.22	1.88	1.28	0.156	
0.29	2.2	3.4	2.3	0.116	0.114
0.49	1.3	2.01	1.36	0.14	0.137
0.29	2.16	3.34	2.26	0.16	0.158
0.51	1.23	1.9	1.29	0.206	0.201
0.28	2.28	3.53	2.39	0.138	0.135
0.41	1.55	2.39	1.62	0.157	0.153
0.28	2.28	3.53	2.39	0.255	0.251
0.48	1.32	2.05	1.39	0.334	0.326
0.25	2.55	3.94	2.67	0.217	0.213
0.38	1.64	2.53	1.72	0.256	0.25
0.26	2.40	3.72	2.52	0.383	0.377
0.44	1.42	2.2	1.49	0.496	0.485
0.23	2.71	4.2	2.84	0.317	0.312
0.37	1.69	2.61	1.77	0.392	0.382
0.25	2.48	3.84	2.60	0.5	0.492
0.46	1.37	2.13	1.44	0.671	0.653

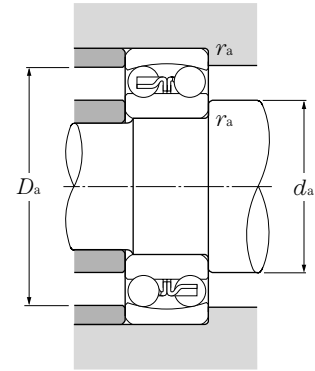




Cylindrical bore



Tapered bore
taper 1:12



d 40 ~ 75mm

d	Boundary dimensions			Basic load ratings				Limiting speeds		Bearing numbers		Abutment and fillet dimensions		
	D	B	r _{s min} ^①	dynamic kN	static kN	dynamic kgf	static kgf	grease	oil	cylindrical bore	tapered ^② bore	d _a min	D _a max	r _{as} max
40	80	18	1.1	19.3	6.55	1,970	665	7,100	8,400	1208	1208K	46.5	73.5	1
	80	23	1.1	22.3	7.35	2,270	750	6,700	7,900	2208	2208K	46.5	73.5	1
	90	23	1.5	29.6	9.70	3,000	990	6,000	7,000	1308	1308K	48	82	1.5
	90	33	1.5	45.0	13.5	4,600	1,380	5,600	6,600	2308	2308K	48	82	1.5
45	85	19	1.1	21.9	7.35	2,230	750	6,400	7,500	1209	1209K	51.5	78.5	1
	85	23	1.1	23.2	8.15	2,360	830	6,000	7,100	2209	2209K	51.5	78.5	1
	100	25	1.5	38.0	12.7	3,900	1,300	5,400	6,300	1309	1309K	53	92	1.5
	100	36	1.5	54.0	16.7	5,500	1,700	5,000	5,900	2309	2309K	53	92	1.5
50	90	20	1.1	22.7	8.10	2,320	830	5,800	6,800	1210	1210K	56.5	83.5	1
	90	23	1.1	23.2	8.45	2,370	865	5,500	6,400	2210	2210K	56.5	83.5	1
	110	27	2	43.5	14.1	4,400	1,440	4,900	5,800	1310	1310K	59	101	2
	110	40	2	64.5	20.2	6,550	2,060	4,600	5,400	2310	2310K	59	101	2
55	100	21	1.5	26.8	10.0	2,730	1,020	5,300	6,200	1211	1211K	63	92	1.5
	100	25	1.5	26.5	9.90	2,700	1,010	5,000	5,800	2211	2211K	63	92	1.5
	120	29	2	51.5	17.9	5,250	1,820	4,500	5,200	1311	1311K	64	111	2
	120	43	2	75.5	24.0	7,700	2,450	4,200	4,900	2311	2311K	64	111	2
60	110	22	1.5	30.0	11.5	3,100	1,180	4,900	5,800	1212	1212K	68	102	1.5
	110	28	1.5	34.0	12.6	3,450	1,290	4,600	5,400	2212	2212K	68	102	1.5
	130	31	2.1	57.0	20.8	5,850	2,130	4,100	4,800	1312	1312K	71	119	2
	130	46	2.1	87.0	28.2	8,850	2,880	3,800	4,500	2312	2312K	71	119	2
65	120	23	1.5	31.0	12.5	3,150	1,280	4,500	5,300	1213	1213K	73	112	1.5
	120	31	1.5	43.5	16.4	4,450	1,670	4,200	5,000	2213	2213K	73	112	1.5
	140	33	2.1	62.0	22.9	6,350	2,330	3,800	4,500	1313	1313K	76	129	2
	140	48	2.1	96.0	32.5	9,800	3,300	3,600	4,200	2313	2313K	76	129	2
70	125	24	1.5	34.5	13.8	3,550	1,410	4,200	4,900	1214		78	117	1.5
	125	31	1.5	44.0	17.1	4,500	1,740	3,900	4,600	2214		78	117	1.5
	150	35	2.1	74.5	27.7	7,600	2,830	3,500	4,200	1314		81	139	2
	150	51	2.1	109	37.5	11,100	3,850	3,300	3,900	2314		81	139	2
75	130	25	1.5	39.0	15.7	3,950	1,600	3,900	4,600	1215	1215K	83	122	1.5
	130	31	1.5	44.5	17.8	4,500	1,820	3,700	4,300	2215	2215K	83	122	1.5
	160	37	2.1	79.5	30.0	8,100	3,050	3,300	3,900	1315	1315K	86	149	2
	160	55	2.1	123	43.0	12,500	4,350	3,100	3,600	2315	2315K	86	149	2

① Smallest allowable dimension for chamfer dimension r. ② "K" indicates bearings have tapered bore with a taper ratio of 1: 12.

Equivalent bearing load dynamic

$$P_r = XF_r + YF_a$$

$\frac{F_a}{F_r} \leq e$		$\frac{F_a}{F_r} > e$	
X	Y	X	Y
1	Y_1	0.65	Y_2

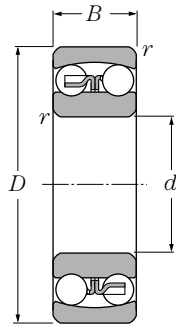
static

$$P_{or} = F_r + Y_o F_a$$

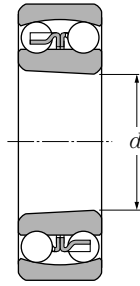
For values of e , Y_1 , Y_2 and Y_o
see the table below.

Constant e	Axial load factors			Mass	
	Y_1	Y_2	Y_o	cylindrical bore kg (approx.)	tapered bore kg (approx.)
0.22	2.81	4.35	2.95	0.414	0.407
0.33	1.91	2.95	2.00	0.493	0.482
0.25	2.57	3.98	2.69	0.709	0.698
0.43	1.45	2.25	1.52	0.918	0.895
0.21	2.99	4.63	3.13	0.457	0.448
0.30	2.07	3.20	2.17	0.54	0.528
0.25	2.56	3.95	2.68	0.953	0.938
0.41	1.53	2.36	1.60	1.23	1.2
0.21	3.07	4.75	3.21	0.515	0.504
0.28	2.23	3.45	2.33	0.583	0.569
0.23	2.7	4.19	2.83	1.2	1.18
0.42	1.49	2.3	1.56	1.63	1.59
0.20	3.19	4.94	3.34	0.692	0.679
0.28	2.24	3.47	2.35	0.787	0.769
0.23	2.71	4.20	2.84	1.58	1.56
0.41	1.53	2.37	1.6	2.1	2.05
0.18	3.41	5.27	3.57	0.879	0.864
0.28	2.26	3.5	2.37	1.08	1.06
0.22	2.85	4.42	2.99	1.96	1.93
0.40	1.56	2.41	1.63	2.59	2.52
0.17	3.70	5.73	3.88	1.13	1.11
0.28	2.26	3.5	2.37	1.44	1.41
0.23	2.74	4.25	2.87	2.42	2.38
0.38	1.64	2.54	1.72	3.2	3.12
0.18	3.48	5.38	3.64	1.24	
0.26	2.38	3.68	2.49	1.52	
0.22	2.83	4.37	2.96	2.99	
0.38	1.67	2.59	1.75	3.92	
0.17	3.61	5.58	3.78	1.33	1.31
0.25	2.52	3.89	2.63	1.58	1.54
0.22	2.81	4.35	2.95	3.55	3.5
0.38	1.65	2.55	1.72	4.78	4.66

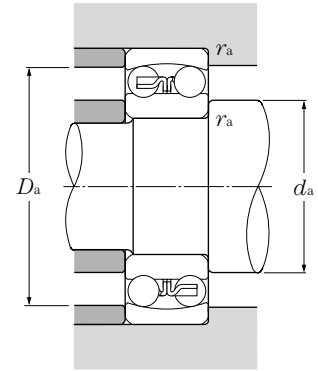




Cylindrical bore



Tapered bore
taper 1:12



d 80 ~ 110mm

	Boundary dimensions				Basic load ratings				Limiting speeds		Bearing numbers		Abutment and fillet dimensions		
	mm				dynamic	static	dynamic	static	rpm		cylindrical	tapered ²	d_a	D_a	r_{as}
d	D	B	$r_{s\ min}$ ¹	C_r	C_{or}	C_r	C_{or}	grease	oil	bore	bore	min	max	max	
80	140	26	2	40.0	17.0	4,050	1,730	3,700	4,300	1216	1216K	89	131	2	
	140	33	2	48.5	19.9	4,950	2,030	3,400	4,000	2216	2216K	89	131	2	
	170	39	2.1	88.5	33.0	9,000	3,400	3,100	3,600	1316	1316K	91	159	2	
	170	58	2.1	128	45.0	13,100	4,600	2,900	3,400	2316	2316K	91	159	2	
85	150	28	2	49.0	20.8	5,000	2,120	3,500	4,100	1217	1217K	94	141	2	
	150	36	2	58.0	23.6	5,950	2,400	3,200	3,800	2217	2217K	94	141	2	
	180	41	3	97.5	38.0	9,950	3,850	2,900	3,400	1317	1317K	98	167	2.5	
	180	60	3	140	51.5	14,300	5,250	2,700	3,200	2317	2317K	98	167	2.5	
90	160	30	2	57.0	23.5	5,800	2,390	3,300	3,800	1218	1218K	99	151	2	
	160	40	2	70.0	28.7	7,150	2,930	3,100	3,600	2218	2218K	99	151	2	
	190	43	3	116	44.5	11,900	4,550	2,700	3,200	1318	1318K	103	177	2.5	
	190	64	3	152	57.5	15,500	5,850	2,600	3,000	2318	2318K	103	177	2.5	
95	170	32	2.1	64.0	27.1	6,500	2,770	3,100	3,600	1219	1219K	106	159	2	
	170	43	2.1	83.5	34.5	8,500	3,500	2,900	3,400	2219	2219K	106	159	2	
	200	45	3	132	51.0	13,400	5,200	2,600	3,000	1319	1319K	108	187	2.5	
	200	67	3	165	64.5	16,800	6,550	2,400	2,800	2319	2319K	108	187	2.5	
100	180	34	2.1	69.0	29.7	7,050	3,050	2,900	3,400	1220	1220K	111	169	2	
	180	46	2.1	94.0	38.5	9,600	3,900	2,700	3,200	2220	2220K	111	169	2	
	215	47	3	143	57.5	14,600	5,850	2,400	2,900	1320	1320K	113	202	2.5	
	215	73	3	192	79.0	19,600	8,100	2,300	2,700	2320	2320K	113	202	2.5	
105	190	36	2.1	74.5	32.5	7,600	3,300	2,800	3,300	1221		116	179	2	
	190	50	2.1	109	45.0	11,100	4,550	2,600	3,100	2221		116	179	2	
	225	49	3	156	64.5	15,900	6,600	2,300	2,700	1321		118	212	2.5	
	225	77	3	205	87.0	20,900	8,850	2,200	2,600	2321		118	212	2.5	
110	200	38	2.1	80.5	35.5	8,200	3,600	2,600	3,100	1222	1222K	121	189	2	
	200	53	2.1	124	51.5	12,700	5,250	2,500	2,900	2222	2222K	121	189	2	
	240	50	3	164	71.5	16,700	7,300	2,200	2,600	1322	1322K	123	227	2.5	
	240	80	3	217	94.5	22,100	9,650	2,100	2,400	2322	2322K	123	227	2.5	

¹ Smallest allowable dimension for chamfer dimension r . ² "K" indicates bearings have tapered bore with a taper ratio of 1: 12.

Equivalent bearing load dynamic

$$P_r = XF_r + YF_a$$

$\frac{F_a}{F_r} \leq e$		$\frac{F_a}{F_r} > e$	
X	Y	X	Y
1	Y_1	0.65	Y_2

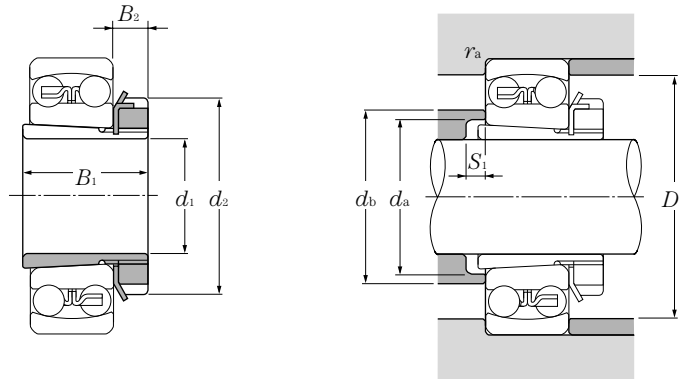
static

$$P_{or} = F_r + Y_o F_a$$

For values of e , Y_1 , Y_2 and Y_o see the table below.

Constant e	Axial load factors			Mass	
	Y_1	Y_2	Y_o	cylindrical bore kg (approx.)	tapered bore kg (approx.)
0.16	3.9	6.04	4.09	1.65	1.62
0.25	2.52	3.9	2.64	1.99	1.95
0.22	2.92	4.52	3.06	4.17	4.11
0.39	1.63	2.52	1.71	5.65	5.51
0.17	3.67	5.68	3.85	2.06	2.03
0.25	2.49	3.86	2.61	2.54	2.49
0.21	2.94	4.55	3.08	4.96	4.89
0.37	1.71	2.64	1.79	6.55	6.39
0.17	3.76	5.82	3.94	2.51	2.47
0.27	2.35	3.64	2.47	3.19	3.12
0.22	2.8	4.34	2.94	5.78	5.69
0.38	1.67	2.58	1.75	7.75	7.56
0.17	3.74	5.79	3.92	3.1	3.05
0.27	2.36	3.65	2.47	3.89	3.8
0.23	2.76	4.27	2.89	6.69	6.59
0.38	1.67	2.59	1.75	9.05	8.83
0.17	3.64	5.64	3.82	3.7	3.64
0.27	2.35	3.64	2.46	4.65	4.54
0.24	2.65	4.11	2.78	8.3	8.19
0.37	1.69	2.61	1.77	11.5	11.2
0.18	3.56	5.52	3.73	4.34	
0.28	2.25	3.49	2.36	6.07	
0.23	2.73	4.22	2.86	10	
0.38	1.67	2.58	1.75	13.2	
0.18	3.44	5.33	3.61	5.15	5.07
0.28	2.24	3.47	2.35	7.1	6.94
0.22	2.85	4.4	2.98	11.8	11.7
0.37	1.71	2.65	1.79	15.8	15.4

(for self-aligning ball bearings)



d 17 ~ 50mm

	Boundary dimensions				Bearing numbers	Abutment and fillet dimensions					Mass ^①
	mm					mm					
	d_1	B_1	d_2	B_2		d_a min	d_b max	S_1 min	D_a max	r_{as} max	(approx.)
17	24	32	7		1204K;H 204	23	27	5	41	1	0.041
	28	32	7		2204K;H 304	24	28	5	41	1	0.045
	28	32	7		1304K;H 304	24	31	8	45	1	0.045
	31	32	7		2304K;H2304	24	28	5	45	1	0.049
20	26	38	8		1205K;H 205X	28	33	5	46	1	0.07
	29	38	8		2205K;H 305X	29	33	5	46	1	0.075
	29	38	8		1305K;H 305X	29	37	6	55	1	0.075
	35	38	8		2305K;H2305X	29	34	5	55	1	0.087
25	27	45	8		1206K;H 206X	33	39	5	56	1	0.099
	31	45	8		2206K;H 306X	34	39	5	56	1	0.109
	31	45	8		1306K;H 306X	34	44	6	65	1	0.109
	38	45	8		2306K;H2306X	35	40	5	65	1	0.126
30	29	52	9		1207K;H 207X	38	46	5	65	1	0.125
	35	52	9		2207K;H 307X	39	45	5	65	1	0.142
	35	52	9		1307K;H 307X	39	50	7	71.5	1.5	0.142
	43	52	9		2307K;H2307X	40	46	5	71.5	1.5	0.165
35	31	58	10		1208K;H 208X	44	52	5	73	1	0.174
	36	58	10		2208K;H 308X	44	50	5	73	1	0.189
	36	58	10		1308K;H 308X	44	56	5	81.5	1.5	0.189
	46	58	10		2308K;H2308X	45	52	5	81.5	1.5	0.224
40	33	65	11		1209K;H 209X	49	57	5	78	1	0.227
	39	65	11		2209K;H 309X	49	57	8	78	1	0.248
	39	65	11		1309K;H 309X	49	61	5	91.5	1.5	0.248
	50	65	11		2309K;H2309X	50	58	5	91.5	1.5	0.28
45	35	70	12		1210K;H 210X	53	62	5	83	1	0.274
	42	70	12		2210K;H 310X	54	63	10	83	1	0.303
	42	70	12		1310K;H 310X	54	67	5	100	2	0.303
	55	70	12		2310K;H2310X	56	65	5	100	2	0.362
50	37	75	12		1211K;H 211X	60	70	6	91.5	1.5	0.308

① Refers to adapter mass.

Note: 1. For bearing dimensions, basic rated loads, allowable rotations, and mass, refer to pages B-80 to B-82.

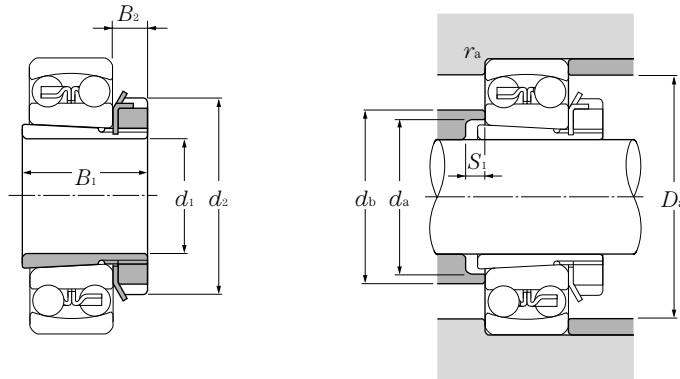
2. Adapters for series 12 bearings can also be used with H2 and H3 series bearings.

Caution: the B1 dimension of H3 series bearings is longer than that of H2 series bearings.

3. Adapter numbers which are appended with the code "X" indicate narrow slit type adapters which use washer with straight inner tabs.

4. For adapter locknut and washer dimensions, please refer to pages D-2 to D-7, and D-12 to D-14.

(for self-aligning ball bearings)



d 50 ~ 85mm

Boundary dimensions mm				Bearing numbers	Abutment and fillet dimensions mm					Mass ^① kg (approx.)
d_1	B_1	d_2	B_2		d_a min	d_b max	S_1 min	D_a max	r_{as} max	
50	45	75	12	2211K;H 311X	60	69	11	91.5	1.5	0.345
	45	75	12	1311K;H 311X	60	73	6	110	2	0.345
	59	75	12	2311K;H2311X	61	71	6	110	2	0.42
55	38	80	13	1212K;H 212X	64	76	5	101.5	1.5	0.346
	47	80	13	2212K;H 312X	65	75	9	101.5	1.5	0.394
	47	80	13	1312K;H 312X	65	79	5	118	2	0.394
	62	80	13	2312K;H2312X	66	77	5	118	2	0.481
60	40	85	14	1213K;H 213X	70	83	5	111.5	1.5	0.401
	50	85	14	2213K;H 313X	70	81	8	111.5	1.5	0.458
	50	85	14	1313K;H 313X	70	85	5	128	2	0.458
	65	85	14	2313K;H2313X	72	84	5	128	2	0.557
65	43	98	15	1215K;H 215X	80	93	5	121.5	1.5	0.707
	55	98	15	2215K;H 315X	80	93	12	121.5	1.5	0.831
	55	98	15	1315K;H 315X	80	97	5	148	2	0.831
	73	98	15	2315K;H2315X	82	96	5	148	2	1.05
70	46	105	17	1216K;H 216X	85	100	5	130	2	0.882
	59	105	17	2216K;H 316X	86	98	12	130	2	1.03
	59	105	17	1316K;H 316X	86	103	5	158	2	1.03
	78	105	17	2316K;H2316X	87	103	5	158	2	1.28
75	50	110	18	1217K;H 217X	90	106	6	140	2	1.02
	63	110	18	2217K;H 317X	91	104	12	140	2	1.18
	63	110	18	1317K;H 317X	91	110	6	166	2.5	1.18
	82	110	18	2317K;H2317X	94	110	6	166	2.5	1.45
80	52	120	18	1218K;H 218X	95	111	6	150	2	1.19
	65	120	18	2218K;H 318X	96	112	10	150	2	1.37
	65	120	18	1318K;H 318X	96	116	6	176	2.5	1.37
	86	120	18	2318K;H2318X	99	117	6	176	2.5	1.69
85	55	125	19	1219K;H 219X	101	118	7	158	2	1.37
	68	125	19	2219K;H 319X	102	117	9	158	2	1.56

① Refers to adapter mass.

Note: 1. For bearing dimensions, basic rated loads, allowable rotations, and mass, refer to pages B-80 to B-82.

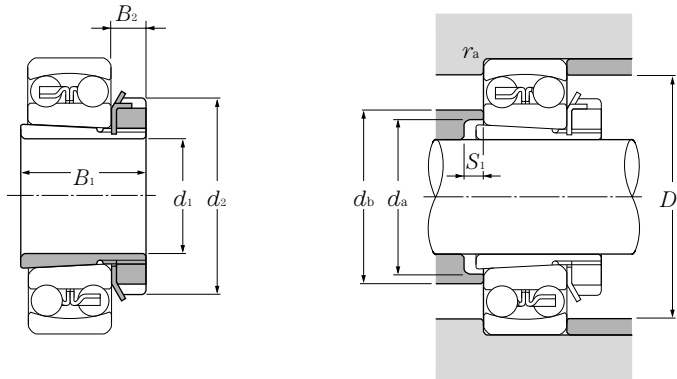
2. Adapters for series 12 bearings can also be used with H2 and H3 series bearings.

Caution: the B1 dimension of H3 series bearings is longer than that of H2 series bearings.

3. Adapter numbers which are appended with the code "X" indicate narrow slit type adapters which use washer with straight inner tabs.

4. For adapter locknut and washer dimensions, please refer to pages D-2 to D-7, and D-12 to D-14.

(for self-aligning ball bearings)



d 85 ~ 100mm

	Boundary dimensions				Bearing numbers	Abutment and fillet dimensions					Mass ^①
	mm					mm					
	d_1	B_1	d_2	B_2		d_a min	d_b max	S_1 min	D_a max	r_{as} max	(approx.)
85	68	125	19		1319K;H 319X	102	123	7	186	2.5	1.56
	90	125	19		2319K;H2319X	105	123	7	186	2.5	1.92
90	58	130	20		1220K;H 220X	106	125	7	168	2	1.49
	71	130	20		2220K;H 320X	107	123	8	168	2	1.69
	71	130	20		1320K;H 320X	107	130	7	201	2.5	1.69
	97	130	20		2320K;H2320X	110	129	7	201	2.5	2.15
100	63	145	21		1222K;H 222X	116	138	7	188	2	1.93
	77	145	21		2222K;H 322X	117	137	6	188	2	2.18
	77	145	21		1322K;H 322X	117	150	9	226	2.5	2.18
	105	145	21		2322K;H2322X	121	142	7	226	2.5	2.74

① Refers to adapter mass.

Note: 1. For bearing dimensions, basic rated loads, allowable rotations, and mass, refer to pages B-80 to B-82.

2. Adapters for series 12 bearings can also be used with H2 and H3 series bearings.

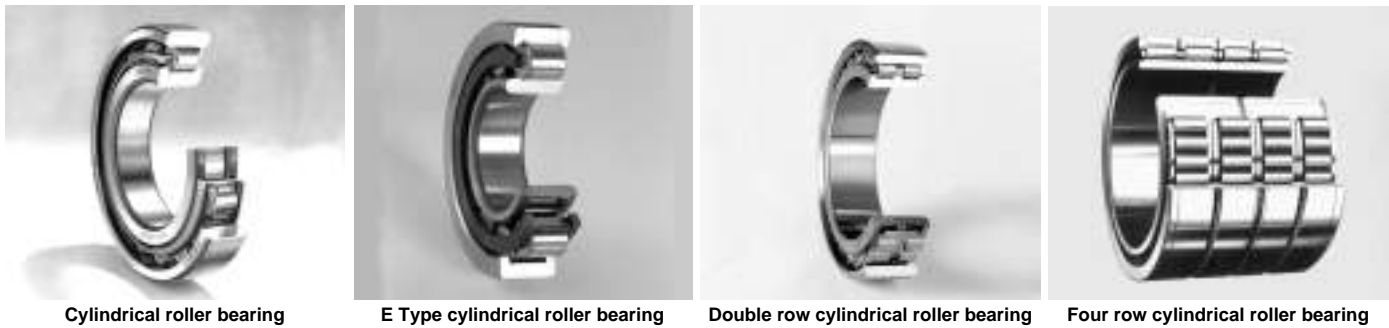
Caution: the B1 dimension of H3 series bearings is longer than that of H2 series bearings.

3. Adapter numbers which are appended with the code "X" indicate narrow slit type adapters which use washer with straight inner tabs.

4. For adapter locknut and washer dimensions, please refer to pages D-2 to D-7, and D-12 to D-14.







1. Types, design features, and characteristics

Since the rolling elements in cylindrical roller bearings make line contact with raceways, these bearings can accommodate heavy radial loads. The rollers are guided by ribs on either the inner or outer ring, therefore these bearings are also suitable for high speed applications. Furthermore, cylindrical roller bearings are separable, and relatively easy to install and disassemble even when interference fits are required.

Among the various types of cylindrical roller bearings, Type E has a high load capacity and its boundary

dimensions are identical to standard type. HT type has a large axial load capacity, and HL type provides extended wear life in conditions where the development of a lubricating film inside the bearing is difficult.

Double and multiple row bearing arrangements are also available.

For extremely heavy load applications, the non-separable full complement SL type bearing offers special advantages.

Table 1 shows the various types and characteristics of single row cylindrical roller bearings. **Table 2** shows the characteristics of non-standard type cylindrical roller bearings.

Table 1 Cylindrical roller bearing types and characteristics

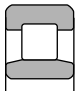
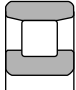
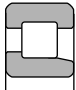
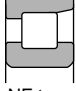
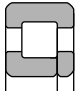
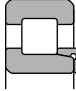
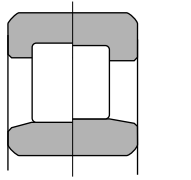
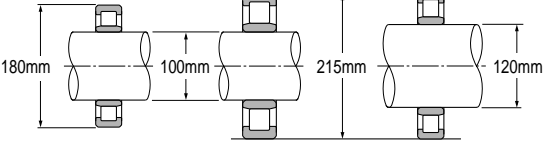
Type code	Design	Characteristics
<p>NU type</p> <p>N type</p>	 <p>NU type</p>  <p>N type</p>	<ul style="list-style-type: none"> • NU type outer rings have double ribs; outer ring and roller as well as cage can be separated from inner ring. N type inner ring have double ribs; inner ring and roller as well as cage can be separated from outer ring. • Unable to accommodate even the slightest axial loads. • This type is extremely suitable for, and widely used as, the floating side bearing.
<p>NJ type</p> <p>NF type</p>	 <p>NJ type</p>  <p>NF type</p>	<ul style="list-style-type: none"> • NJ type has double ribs on outer ring, single rib on inner ring; NF type has single rib on outer ring, and double rib on inner ring. • Can receive single direction axial loads. • When there is no distinction between the fixed side and floating side bearing, can be used as a pair in close proximity.
<p>NUP type</p> <p>NH type (NJ + HJ)</p>	 <p>NUP type</p>  <p>NH type</p>	<ul style="list-style-type: none"> • NUP type has a collar ring attached to the ribless side of the inner ring; NH type is NJ type with an L type collar ring attached. All of these collar rings are separable, and therefore it is necessary to fix the inner ring axially. • Can accommodate axial loads in either direction. • Widely used as the shaft's fixed-side bearing.

Table 2 Non-standard type cylindrical roller bearing characteristics

Bearing type	Characteristics			
<p>E Type cylindrical roller bearing</p>	<ul style="list-style-type: none"> • Boundary dimensions identical to standard type; load capacity can be increased by increasing roller diameter, roller length, or roller number. • Identified by addition of "E" to end of basic roller number. • Enables compact design due to its high load rating. • Rollers' inscribed circle diameter differs from standard type rollers and therefore cannot be interchanged. <div style="text-align: center;">  <p>E type Standard type</p> </div> <div style="text-align: center; margin-top: 20px;">  <table style="width: 100%; text-align: center; border-collapse: collapse;"> <tr> <td style="width: 33%;"> NU2220E $C_r=335kN$ E type bearing </td> <td style="width: 33%;"> NU320 $C_r=315kN$ Standard type bearing </td> <td style="width: 33%;"> NU224E $C_r=335kN$ E type bearing </td> </tr> </table> </div> <p>Remarks: In the dimension tables, both E type and standard type are listed, but in the future JIS will change to E type.</p>	NU2220E $C_r=335kN$ E type bearing	NU320 $C_r=315kN$ Standard type bearing	NU224E $C_r=335kN$ E type bearing
NU2220E $C_r=335kN$ E type bearing	NU320 $C_r=315kN$ Standard type bearing	NU224E $C_r=335kN$ E type bearing		
<p>Large axial load use cylindrical roller bearings (HT type)</p>	<ul style="list-style-type: none"> • Can accommodate larger axial loads than standard type thanks to improved geometry of the rib roller end surface. • Please consult NTN Engineering concerning the many factors which require consideration, such as load, lubricant, and installation conditions. 			
<p>Double row cylindrical roller bearings</p>	<ul style="list-style-type: none"> • NN type and NNU type available. • Widely used for applications requiring thin-walled bearings, such the main shafts of machine tools, rolling machine rollers, and in printing equipment. 			
<p>Four row cylindrical roller bearings</p>	<ul style="list-style-type: none"> • Used mainly in the necks of rolling machine rollers; designed for maximum rated load to accommodate the severely limited space in the roller neck section of such equipment. • Many varieties exist, including sealed types, which have been specially designed for high speed use, to prevent creeping, provide dust and water proofing properties, etc. Contact NTN Engineering. 			
<p>SL type cylindrical roller bearings</p>	<ul style="list-style-type: none"> • Full complement roller bearing capable of handling heavy loads. • Consult NTN Engineering regarding special application designs for SL type cylindrical roller bearings. 			

2. Standard cage types

Table 3 shows the standard varieties for cylindrical roller bearings.

The basic rated loads listed in the dimension charts correspond to values achieved with the standard cages listed in **Table 3**. Furthermore, please note that even for the identical bearing, in cases where the number of rolling elements or the cage type differs, the basic rated load will also differ from the values listed in the dimension charts.

Table 3 Standard cage types

Bearing series	Molded resin cage	Pressed cage	Machined cage
NU10			1005 ~ 10/500
NU 2 NU2E	204E ~ 218E	208 ~ 230	232 ~ 264 219E ~ 240E
NU22 NU22E	2204E ~ 2218E	2208 ~ 2230	2232 ~ 2264 2219E ~ 2240E
NU3 NU3E	304E ~ 314E	308 ~ 324	326 ~ 356 315E ~ 332E
NU23 NU23E	2304E ~ 2311E	2308 ~ 2320	2322 ~ 2356 2312E ~ 2332E
NU4		405 ~ 416	

Note: 1) Within the same bearing series, cage type is identical even if the type code (NJ, NUP, N, NF) differs.

- 2) For high speed and other special applications, machined cages can be manufactured when necessary. Consult **NTN Engineering**.
- 3) Among E type bearings (those using molded resin cages), certain varieties may also use pressed cages. Consult **NTN Engineering**.
- 4) Although machined cages are standard for two row and four row cylindrical roller bearings, molded resin cages may also be used in some of these bearings for machine tool applications.
- 5) **Due to their material properties, molded resin cages cannot be used in applications where temperatures exceed 120 °C.**

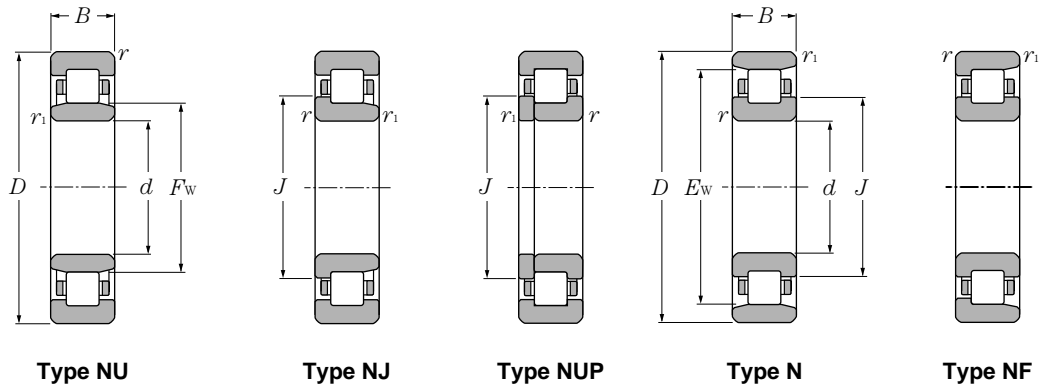
3. Allowable misalignment

Although values vary somewhat depending on bearing type and internal specifications, under general load conditions, to avoid the occurrence of edge loading, allowable misalignments have been set as follows:

Bearing width series 0 or 1:	0.001 rad (3.5')
Bearing width series 2:	0.0005 rad (1.5')
Double row cylindrical roller bearings ①:	0.0005 rad (1.5')

- ① Does not include high precision bearings for machine tool main shaft applications.



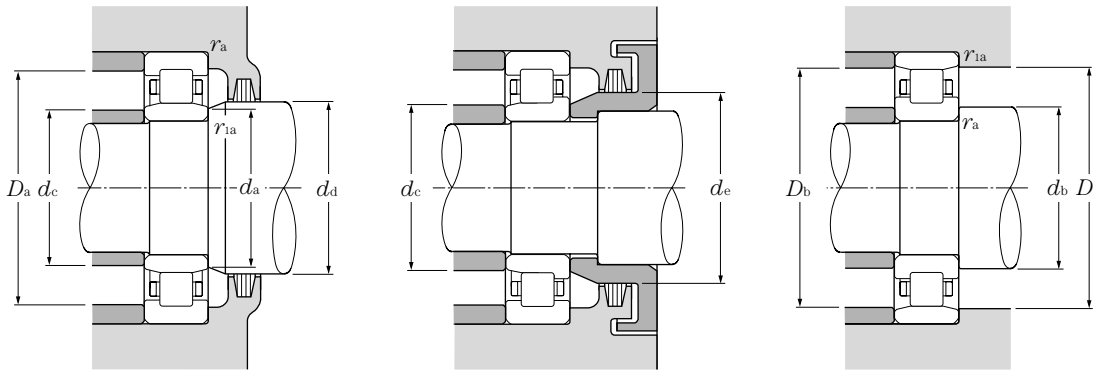


d 20 ~ 35mm

d	Boundary dimensions				Basic load ratings				Limiting speeds ^①		Bearing numbers			
	mm				dynamic	static	dynamic	static	rpm		type	type	type	type
	D	B	r _{s min} ^②	r _{1s min} ^②	C _r	C _{or}	C _r	C _{or}	grease	oil	NU	NJ	NUP	N
20	47	14	1	0.6	25.7	22.6	2,620	2,310	15,000	18,000	NU204E	NJ	NUP	N
	47	18	1	0.6	30.5	28.3	3,100	2,890	14,000	16,000	NU2204E	NJ	NUP	N
	52	15	1.1	0.6	31.5	26.9	3,200	2,740	13,000	15,000	NU304E	NJ	NUP	N
	52	21	1.1	0.6	42.0	39.0	4,300	3,950	12,000	14,000	NU2304E	NJ	NUP	N
25	47	12	0.6	0.3	15.1	14.1	1,540	1,430	16,000	19,000	NU1005	NJ	NUP	N
	52	15	1	0.6	29.3	27.7	2,990	2,830	13,000	15,000	NU205E	NJ	NUP	N
	52	18	1	0.6	35.0	34.5	3,550	3,550	11,000	13,000	NU2205E	NJ	NUP	N
	62	17	1.1	1.1	41.5	37.5	4,250	3,800	11,000	13,000	NU305E	NJ	NUP	N
	62	24	1.1	1.1	57.0	56.0	5,800	5,700	9,700	11,000	NU2305E	NJ	NUP	N
80	21	1.5	1.5	46.5	40.0	4,750	4,050	8,500	10,000	NU405	NJ	NUP	N	
30	55	13	1	0.6	19.7	19.6	2,000	2,000	14,000	16,000	NU1006	NJ	NUP	N
	62	16	1	0.6	39.0	37.5	4,000	3,800	11,000	13,000	NU206E	NJ	NUP	N
	62	20	1	0.6	49.0	50.0	5,000	5,100	9,700	11,000	NU2206E	NJ	NUP	N
	72	19	1.1	1.1	53.0	50.0	5,400	5,100	9,300	11,000	NU306E	NJ	NUP	N
	72	27	1.1	1.1	74.5	77.5	7,600	7,900	8,300	9,700	NU2306E	NJ	NUP	N
90	23	1.5	1.5	62.5	55.0	6,400	5,600	7,300	8,500	NU406	NJ	NUP	N	
35	62	14	1	0.6	22.6	23.2	2,310	2,360	12,000	15,000	NU1007	NJ	NUP	N
	72	17	1.1	0.6	50.5	50.0	5,150	5,100	9,500	11,000	NU207E	NJ	NUP	N
	72	23	1.1	0.6	61.5	65.5	6,300	6,650	8,500	10,000	NU2207E	NJ	NUP	N
	80	21	1.5	1.1	71.0	71.0	7,200	7,200	8,100	9,600	NU307E	NJ	NUP	N
	80	31	1.5	1.1	99.0	109	10,100	11,100	7,200	8,500	NU2307E	NJ	NUP	N
	100	25	1.5	1.5	75.5	69.0	7,700	7,050	6,400	7,500	NU407	NJ	NUP	N
40	68	15	1	0.6	27.3	29.0	2,780	2,950	11,000	13,000	NU1008	NJ	NUP	N
	80	18	1.1	1.1	43.5	43.0	4,450	4,350	9,400	11,000	NU208	NJ	NUP	N
	80	18	1.1	1.1	55.5	55.5	5,700	5,650	8,500	10,000	NU208E	NJ	NUP	N
	80	23	1.1	1.1	58.0	62.0	5,950	6,300	8,500	10,000	NU2208	NJ	NUP	N
	80	23	1.1	1.1	72.5	77.5	7,400	7,900	7,600	8,900	NU2208E	NJ	NUP	N
	90	23	1.5	1.5	58.5	57.0	6,000	5,800	8,000	9,400	NU308	NJ	NUP	N
	90	23	1.5	1.5	83.0	81.5	8,500	8,300	7,200	8,500	NU308E	NJ	NUP	N
	90	33	1.5	1.5	82.5	88.0	8,400	8,950	7,000	8,200	NU2308	NJ	NUP	N
	90	33	1.5	1.5	114	122	11,600	12,500	6,400	7,500	NU2308E	NJ	NUP	N
110	27	2	2	95.5	89.0	9,750	9,100	5,700	6,700	NU408	NJ	NUP	N	

① This value achieved with machined cages; when pressed cages are used, 80% of this value is acceptable.

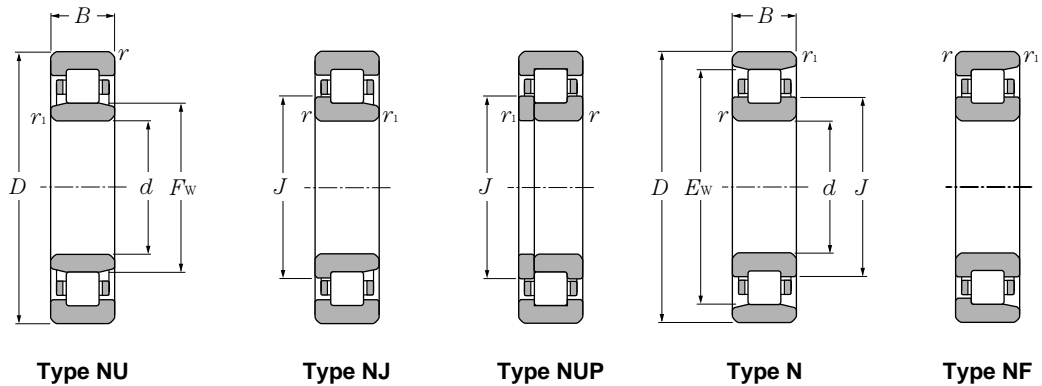
② Minimal allowable dimension for chamfer dimension r or r₁.



Equivalent bearing load
dynamic
 $P_r = F_r$
static
 $P_{or} = F_r$

type	Dimensions			Abutment and fillet dimensions										Mass	
	mm			mm										kg	
NF	F_w	E_w	J	d_a min	d_b min	d_c max	d_d min	d_e min	D_a max	D_b max	D_b min ^④	r_{as} max	r_{ias} max	type NU (approx.)	type N
NF	26.5		29.5	24		26	29	32	42			1	0.6	0.122	
	26.5		29.5	24		26	29	32	42			1	0.6	0.158	
	27.5		31.1	24		27	30	33	45.5			1	0.6	0.176	
	27.5		31.1	24		27	30	33	45.5			1	0.6	0.242	
NF	30.5	41.5	32.7	27	29	30	32	33	43	45	42.5	0.6	0.3	0.092	0.091
	31.5		34.5	29		31	34	37	47			1	0.6	0.151	
	31.5		34.5	29		31	34	37	47			1	0.6	0.186	
	34		38	31.5		33	37	40	55.5			1	1	0.275	
	34		38	31.5		33	37	40	55.5			1	1	0.386	
	38.8	62.8	43.6	33	33	38	41	46	72	72	64	1.5	1.5	0.55	0.536
NF	36.5	48.5	38.9	34	35	35	38	39.5	50	51	49.5	1	0.6	0.13	0.128
	37.5		41.1	34		37	40	44	57			1	0.6	0.226	
	37.5		41.1	34		37	40	44	57			1	0.6	0.297	
	40.5		44.9	36.5		40	44	48	65.5			1	1	0.398	
	40.5		44.9	36.5		40	44	48	65.5			1	1	0.58	
	45	73	50.5	38	38	44	47	52	82	82	74	1.5	1.5	0.751	0.732
NF	42	55	44.6	39	40	41	44	45	57	58	56	1	0.6	0.179	0.176
	44		48	39		43	46	50	65.5			1	0.6	0.327	
	44		48	39		43	46	50	65.5			1	0.6	0.455	
	46.2		51	41.5		45	48	53	72			1.5	1	0.545	
	46.2		51	41.5		45	48	53	72			1.5	1	0.78	
	53	83	59	43	43	52	55	61	92	92	84	1.5	1.5	0.99	0.965
NF	47	61	49.8	44	45	46	49	50.5	63	64	62	1	0.6	0.22	0.217
	50	70	54.2	46.5	46.5	49	52	56	73.5	73.5	72	1	1	0.378	0.37
	49.5		53.9	46.5		49	52	56	73.5			1	1	0.426	
	50	70	54.2	46.5	46.5	49	52	56	73.5	73.5	72	1	1	0.49	0.48
	49.5		53.9	46.5		49	52	56	73.5			1	1	0.552	
	53.5	77.5	58.4	48	48	51	55	60	82	82	80	1.5	1.5	0.658	0.643
NF	52		57.6	48		51	55	60	82			1.5	1.5	0.754	
	53.5	77.5	58.4	48	48	51	55	60	82	82	80	1.5	1.5	0.951	0.932
	52		57.6	48		51	55	60	82			1.5	1.5	1.06	
	58	92	64.8	49	49	57	60	67	101	101	93	2	2	1.3	1.27

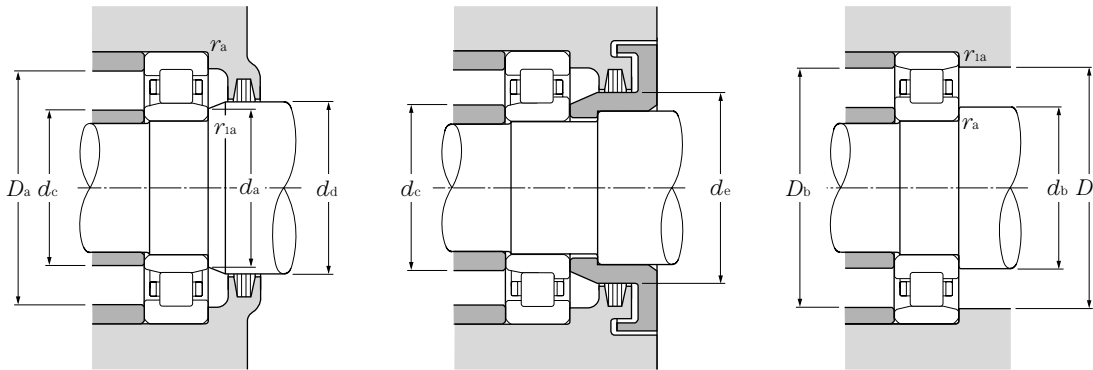
④ Does not apply to side of the outer ring rib of type NF bearings.



d 35 ~ 55mm

d	Boundary dimensions				Basic load ratings				Limiting speeds ^①		Bearing numbers			
	mm				dynamic	static	dynamic	static	rpm		type	type	type	type
	D	B	r _{s min} ^②	r _{1s min} ^②	C _r	C _{or}	C _r	C _{or}	grease	oil	NU	NJ	NUP	N
45	75	16	1	0.6	31.0	34.0	3,200	3,450	9,900	12,000	NU1009	NJ	NUP	N
	85	19	1.1	1.1	46.0	47.0	4,700	4,800	8,400	9,900	NU209	NJ	NUP	N
	85	19	1.1	1.1	63.0	66.5	6,450	6,800	7,600	9,000	NU209E	NJ	NUP	
	85	23	1.1	1.1	61.5	68.0	6,250	6,900	7,600	9,000	NU2209	NJ	NUP	N
	85	23	1.1	1.1	76.0	84.5	7,750	8,600	6,800	8,000	NU2209E	NJ	NUP	
	100	25	1.5	1.5	74.0	71.0	7,550	7,250	7,200	8,400	NU309	NJ	NUP	N
	100	25	1.5	1.5	97.5	98.5	9,950	10,000	6,500	7,600	NU309E	NJ	NUP	
	100	36	1.5	1.5	99.0	104	10,100	10,600	6,300	7,400	NU2309	NJ	NUP	N
	100	36	1.5	1.5	137	153	14,000	15,600	5,700	6,800	NU2309E	NJ	NUP	
120	29	2	2	107	102	10,900	10,400	5,100	6,000	NU409	NJ	NUP	N	
50	80	16	1	0.6	32.0	36.0	3,300	3,700	8,900	11,000	NU1010	NJ	NUP	N
	90	20	1.1	1.1	48.0	51.0	4,900	5,200	7,600	9,000	NU210	NJ	NUP	N
	90	20	1.1	1.1	66.0	72.0	6,750	7,350	6,900	8,100	NU210E	NJ	NUP	
	90	23	1.1	1.1	64.0	73.5	6,550	7,500	6,900	8,100	NU2210	NJ	NUP	N
	90	23	1.1	1.1	79.5	91.5	8,100	9,350	6,200	7,300	NU2210E	NJ	NUP	
	110	27	2	2	87.0	86.0	8,850	8,800	6,500	7,700	NU310	NJ	NUP	N
	110	27	2	2	110	113	11,200	11,500	5,900	6,900	NU310E	NJ	NUP	
	110	40	2	2	121	131	12,300	13,400	5,700	6,700	NU2310	NJ	NUP	N
	110	40	2	2	163	187	16,600	19,000	5,200	6,100	NU2310E	NJ	NUP	
130	31	2.1	2.1	129	124	13,200	12,600	4,700	5,500	NU410	NJ	NUP	N	
55	90	18	1.1	1	37.5	44.0	3,850	4,450	8,200	9,700	NU1011	NJ	NUP	N
	100	21	1.5	1.1	58.0	62.5	5,900	6,350	6,900	8,200	NU211	NJ	NUP	N
	100	21	1.5	1.1	82.5	93.0	8,400	9,500	6,300	7,400	NU211E	NJ	NUP	
	100	25	1.5	1.1	75.5	87.0	7,700	8,900	6,300	7,400	NU2211	NJ	NUP	N
	100	25	1.5	1.1	97.0	114	9,900	11,700	5,600	6,600	NU2211E	NJ	NUP	
	120	29	2	2	111	111	11,300	11,400	5,900	7,000	NU311	NJ	NUP	N
	120	29	2	2	137	143	14,000	14,600	5,300	6,300	NU311E	NJ	NUP	
	120	43	2	2	148	162	15,100	16,500	5,200	6,100	NU2311	NJ	NUP	N
	120	43	2	2	201	233	20,500	23,800	4,700	5,600	NU2311E	NJ	NUP	
140	33	2.1	2.1	139	138	14,200	14,100	4,300	5,000	NU411	NJ	NUP	N	
60	95	18	1.1	1	40.0	48.5	4,100	4,950	7,500	8,800	NU1012	NJ	NUP	N
	110	22	1.5	1.5	68.5	75.0	7,000	7,650	6,400	7,600	NU212	NJ	NUP	N
	110	22	1.5	1.5	97.5	107	9,950	10,900	5,800	6,800	NU212E	NJ	NUP	
	110	28	1.5	1.5	96.0	116	9,800	11,800	5,800	6,800	NU2212	NJ	NUP	N

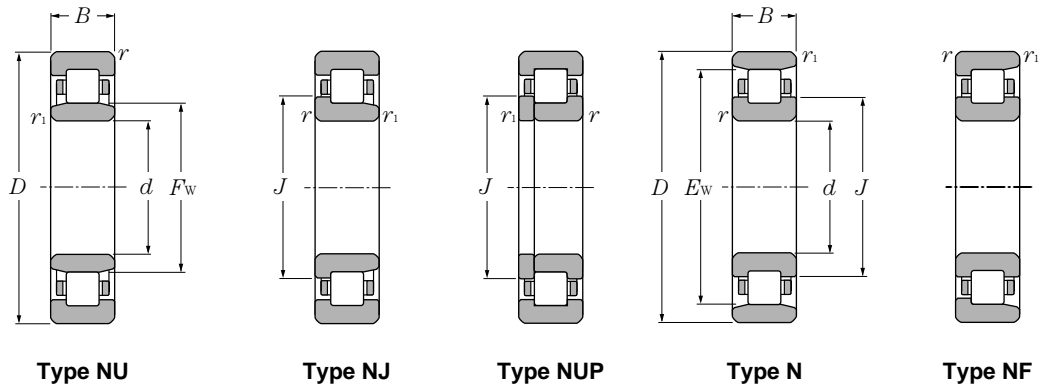
① This value achieved with machined cages; when pressed cages are used, 80% of this value is acceptable.
 ② Minimal allowable dimension for chamfer dimension *r* or *r*₁.



Equivalent bearing load
dynamic
 $P_r = F_r$
static
 $P_{or} = F_r$

type	Dimensions			Abutment and fillet dimensions								Mass			
	F_w	E_w	J	d_a min	d_b min	d_c max	d_d min	d_e min	D_a max	D_b max	D_b min ^④	r_{as} max	r_{ias} max	type NU (approx.)	type N
NF	52.5	67.5	55.5	49	50	52	54	56	70	71	68.5	1	0.6	0.28	0.276
	55	75	59	51.5	51.5	54	57	61	78.5	78.5	77	1	1	0.432	0.423
	54.5		58.9	51.5		54	57	61	78.5			1	1	0.495	
NF	55	75	59	51.5	51.5	54	57	61	78.5	78.5	77	1	1	0.53	0.52
	54.5		58.9	51.5		54	57	61	78.5			1	1	0.6	
	58.5	86.5	64	53	53	57	60	66	92	92	89	1.5	1.5	0.877	0.857
NF	58.5		64.5	53		57	60	66	92			1.5	1.5	0.996	
	58.5	86.5	64	53	53	57	60	66	92	92	89	1.5	1.5	1.27	1.24
	58.5		64.5	53		57	60	66	92			1.5	1.5	1.41	
NF	64.5	100.5	71.8	54	54	63	66	74	111	111	102	2	2	1.62	1.58
NF	57.5	72.5	60.5	54	55	57	59	61	75	76	73.5	1	0.6	0.295	0.291
	60.4	80.4	64.6	56.5	56.5	58	62	67	83.5	83.5	83	1	1	0.47	0.46
	59.5		63.9	56.5		58	62	67	83.5			1	1	0.54	
	60.4	80.4	64.6	56.5	56.5	58	62	67	83.5	83.5	83	1	1	0.571	0.56
NF	59.5		63.9	56.5		58	62	67	83.5			1	1	0.652	
	65	95	71	59	59	63	67	73	101	101	98	2	2	1.14	1.11
	65		71.4	59		63	67	73	101			2	2	1.3	
	65	95	71	59	59	63	67	73	101	101	98	2	2	1.7	1.67
NF	65		71.4	59		63	67	73	101			2	2	1.9	
	70.8	110.8	78.8	61	61	69	73	81	119	119	112	2	2	2.02	1.97
NF	64.5	80.5	67.7	60	61.5	63	66	68.5	83.5	85	81.5	1	1	0.442	0.435
	66.5	88.5	70.8	61.5	63	65	68	73	92	93.5	91	1.5	1	0.638	0.626
	66		70.8	61.5		65	68	73	92			1.5	1	0.718	
	66.5	88.5	70.8	61.5	63	65	68	73	92	93.5	91	1.5	1	0.773	0.758
NF	66		70.8	61.5		65	68	73	92			1.5	1	0.968	
	70.5	104.5	77.2	64	64	69	72	80	111	111	107	2	2	1.45	1.42
	70.5		77.7	64		69	72	80	111			2	2	1.65	
	70.5	104.5	77.2	64	64	69	72	80	111	111	107	2	2	2.17	2.13
NF	70.5		77.7	64		69	72	80	111			2	2	2.37	
	77.2	117.2	85.2	66	66	76	79	87	129	129	119	2	2	2.48	2.42
NF	69.5	85.5	72.7	65	66.5	68	71	73.5	88.5	90	86.5	1	1	0.474	0.467
	73.5	97.5	78.4	68	68	71	75	80	102	102	100	1.5	1.5	0.818	0.802
	72		77.6	68		71	75	80	102			1.5	1.5	0.923	
	73.5	97.5	78.4	68	68	71	75	80	102	102	100	1.5	1.5	1.06	1.04

④ Does not apply to side of the outer ring rib of type NF bearings.

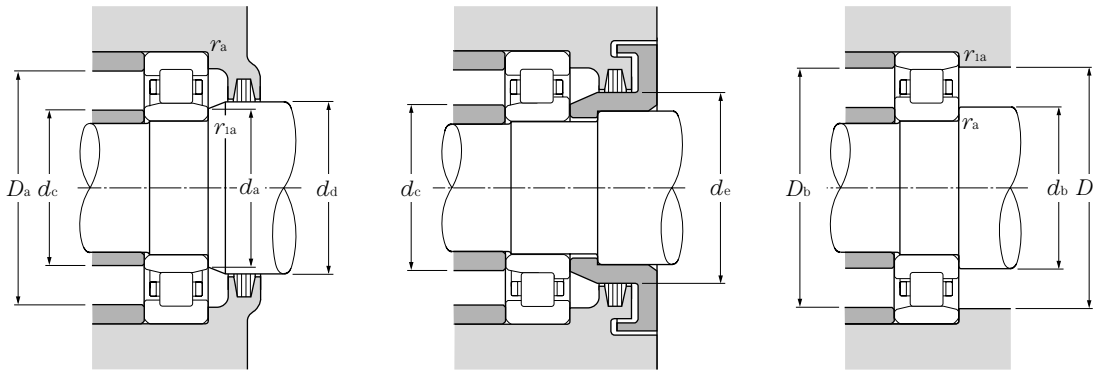


d 55 ~ 70mm

d	Boundary dimensions					Basic load ratings				Limiting speeds ^①		Bearing numbers			
	mm					dynamic	static	dynamic	static	rpm		type	type	type	type
	D	B	r _{s min} ^②	r _{1s min} ^②	C _r	C _{or}	C _r	C _{or}	grease	oil	NU	NJ	NUP	N	
60	110	28	1.5	1.5	131	157	13,400	16,000	5,200	6,100	NU2212E	NJ	NUP		
	130	31	2.1	2.1	124	126	12,600	12,900	5,500	6,500	NU312	NJ	NUP	N	
	130	31	2.1	2.1	150	157	15,200	16,000	4,900	5,800	NU312E	NJ	NUP		
	130	46	2.1	2.1	169	188	17,200	19,200	4,800	5,700	NU2312	NJ	NUP	N	
	130	46	2.1	2.1	222	262	22,700	26,700	4,400	5,200	NU2312E	NJ	NUP		
	150	35	2.1	2.1	167	168	17,100	17,200	3,900	4,600	NU412	NJ	NUP	N	
65	100	18	1.1	1	41.0	51.0	4,200	5,200	7,000	8,200	NU1013	NJ	NUP	N	
	120	23	1.5	1.5	84.0	94.5	8,550	9,650	5,900	7,000	NU213	NJ	NUP	N	
	120	23	1.5	1.5	108	119	11,000	12,100	5,400	6,300	NU213E	NJ	NUP		
	120	31	1.5	1.5	120	149	12,200	15,200	5,400	6,300	NU2213	NJ	NUP	N	
	120	31	1.5	1.5	149	181	15,200	18,400	4,800	5,600	NU2213E	NJ	NUP		
	140	33	2.1	2.1	135	139	13,800	14,200	5,100	6,000	NU313	NJ	NUP	N	
	140	33	2.1	2.1	181	191	18,400	19,500	4,600	5,400	NU313E	NJ	NUP		
	140	48	2.1	2.1	188	212	19,100	21,700	4,400	5,200	NU2313	NJ	NUP	N	
140	48	2.1	2.1	248	287	25,200	29,300	4,100	4,800	NU2313E	NJ	NUP			
160	37	2.1	2.1	182	186	18,600	19,000	3,600	4,300	NU413	NJ	NUP	N		
70	110	20	1.1	1	58.5	70.5	5,950	7,200	6,500	7,600	NU1014	NJ	NUP	N	
	125	24	1.5	1.5	83.5	95.0	8,500	9,700	5,500	6,500	NU214	NJ	NUP	N	
	125	24	1.5	1.5	119	137	12,100	14,000	5,000	5,900	NU214E	NJ	NUP		
	125	31	1.5	1.5	119	151	12,200	15,400	5,000	5,900	NU2214	NJ	NUP	N	
	125	31	1.5	1.5	156	194	15,900	19,800	4,500	5,200	NU2214E	NJ	NUP		
	150	35	2.1	2.1	158	168	16,100	17,200	4,700	5,500	NU314	NJ	NUP	N	
	150	35	2.1	2.1	205	222	20,900	22,600	4,200	5,000	NU314E	NJ	NUP		
	150	51	2.1	2.1	223	262	22,700	26,700	4,100	4,800	NU2314	NJ	NUP	N	
	150	51	2.1	2.1	274	325	27,900	33,000	3,800	4,400	NU2314E	NJ	NUP		
180	42	3	3	228	236	23,200	24,000	3,400	4,000	NU414	NJ	NUP	N		
75	115	20	1.1	1	60.0	74.5	6,100	7,600	6,100	7,100	NU1015	NJ	NUP	N	
	130	25	1.5	1.5	96.5	111	9,850	11,300	5,100	6,000	NU215	NJ	NUP	N	
	130	25	1.5	1.5	130	156	13,300	16,000	4,700	5,500	NU215E	NJ	NUP		
	130	31	1.5	1.5	130	162	13,200	16,500	4,700	5,500	NU2215	NJ	NUP	N	
	130	31	1.5	1.5	162	207	16,500	21,100	4,200	4,900	NU2215E	NJ	NUP		
	160	37	2.1	2.1	190	205	19,400	20,900	4,400	5,200	NU315	NJ	NUP	N	
	160	37	2.1	2.1	240	263	24,500	26,800	4,000	4,700	NU315E	NJ	NUP		
	160	55	2.1	2.1	258	300	26,300	31,000	3,800	4,500	NU2315	NJ	NUP	N	

① This value achieved with machined cages; when pressed cages are used, 80% of this value is acceptable.

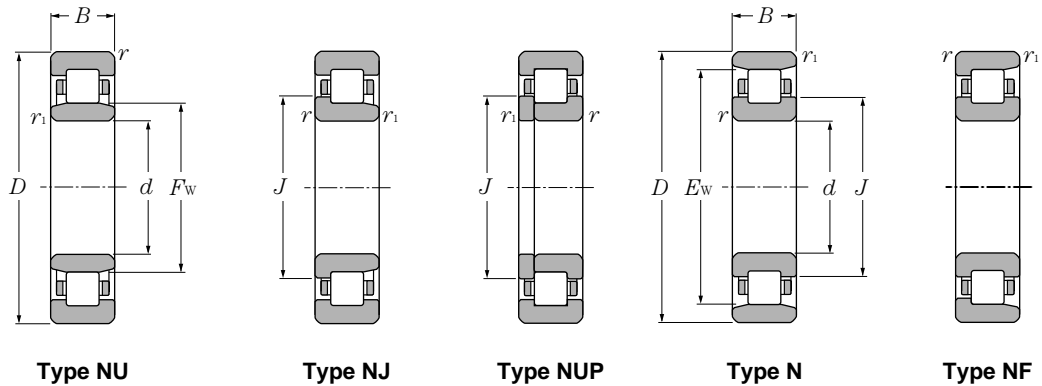
② Minimal allowable dimension for chamfer dimension r or r_1 .



Equivalent bearing load
dynamic
 $P_r = F_r$
static
 $P_{or} = F_r$

type	Dimensions			Abutment and fillet dimensions								Mass			
	F_w	E_w	J	d_a min	d_b min	d_c max	d_d min	d_e min	D_a max	D_b max	D_b min ^④	r_{as} max	r_{ias} max	type NU (approx.)	type N
NF	72		77.6	68		71	75	80	102			1.5	1.5	1.21	
	77	113	84.2	71	71	75	79	86	119	119	116	2	2	1.8	1.76
	77		84.6	71		75	79	86	119			2	2	2.05	
	77	113	84.2	71	71	75	79	86	119	119	116	2	2	2.71	2.66
	77		84.6	71		75	79	86	119			2	2	2.96	
NF	83	127	91.8	71	71	82	85	94	139	139	128	2	2	3	2.93
NF	74.5	90.5	77.7	70	71.5	73	76	78.5	93.5	95	91.5	1	1	0.485	0.477
	79.6	105.6	84.8	73	73	77	81	87	112	112	108	1.5	1.5	1.02	1
	78.5		84.5	73		77	81	87	112			1.5	1.5	1.21	
	79.6	105.6	84.8	73	73	77	81	87	112	112	108	1.5	1.5	1.4	1.37
	78.5		84.5	73		77	81	87	112			1.5	1.5	1.6	
NF	83.5	121.5	91	76	76	81	85	93	129	129	125	2	2	2.23	2.18
	82.5		91	76		81	85	93	129			2	2	2.54	
	83.5	121.5	91	76	76	81	85	93	129	129	125	2	2	3.27	3.2
	82.5		91	76		81	85	93	129			2	2	3.48	
NF	89.3	135.3	98.5	76	76	88	91	100	149	149	137	2	2	3.6	3.5
NF	80	100	84	75	76.5	78	82	85	103.5	105	101	1	1	0.699	0.689
	84.5	110.5	89.6	78	78	82	86	92	117	117	114	1.5	1.5	1.12	1.1
	83.5		89.5	78		82	86	92	117			1.5	1.5	1.3	
	84.5	110.5	89.6	78	78	82	86	92	117	117	114	1.5	1.5	1.47	1.44
	83.5		89.5	78		82	86	92	117			1.5	1.5	1.7	
NF	90	130	98	81	81	87	92	100	139	139	134	2	2	2.71	2.65
	89		98	81		87	92	100	139			2	2	3.1	
	90	130	98	81	81	87	92	100	139	139	134	2	2	3.98	3.9
	89		98	81		87	92	100	139			2	2	4.25	
NF	100	152	110.5	83	83	99	102	112	167	167	153	2.5	2.5	5.24	5.1
NF	85	105	89	80	81.5	83	87	90	108.5	110	106	1	1	0.738	0.727
	88.5	116.5	94	83	83	87	90	96	122	122	120	1.5	1.5	1.23	1.21
	88.5		94.5	83		87	90	96	122			1.5	1.5	1.41	
	88.5	116.5	94	83	83	87	90	96	122	122	120	1.5	1.5	1.55	1.52
	88.5		94.5	83		87	90	96	122			1.5	1.5	1.79	
NF	95.5	139.5	104.2	86	86	93	97	106	149	149	143	2	2	3.28	3.21
	95		104.6	86		93	97	106	149			2	2	3.74	
	95.5	139.5	104.2	86	86	93	97	106	149	149	143	2	2	4.87	4.77

④ Does not apply to side of the outer ring rib of type NF bearings.

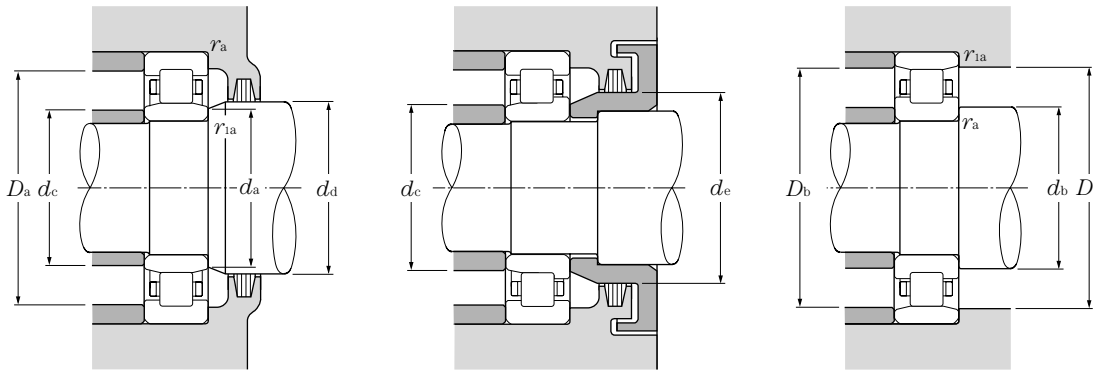


d 70 ~ 90mm

d	Boundary dimensions				Basic load ratings				Limiting speeds ^①		Bearing numbers			
	mm				dynamic	static	dynamic	static	rpm		type NU	type NJ	type NUP	type N
	D	B	r _{s min} ^②	r _{1s min} ^②	C _r	C _{or}	C _r	C _{or}	grease	oil				
75	160	55	2.1	2.1	330	395	33,500	40,000	3,500	4,100	NU2315E	NJ	NUP	N
	190	45	3	3	262	274	26,800	27,900	3,200	3,700	NU415	NJ	NUP	N
80	125	22	1.1	1	72.5	90.5	7,400	9,250	5,700	6,700	NU1016	NJ	NUP	N
	140	26	2	2	106	122	10,800	12,500	4,800	5,700	NU216	NJ	NUP	N
	140	26	2	2	139	167	14,200	17,000	4,400	5,100	NU216E	NJ	NUP	N
	140	33	2	2	147	186	15,000	19,000	4,400	5,100	NU2216	NJ	NUP	N
	140	33	2	2	186	243	19,000	24,800	3,900	4,600	NU2216E	NJ	NUP	N
	170	39	2.1	2.1	190	207	19,400	21,100	4,100	4,800	NU316	NJ	NUP	N
	170	39	2.1	2.1	256	282	26,100	28,800	3,700	4,400	NU316E	NJ	NUP	N
	170	58	2.1	2.1	274	330	27,900	34,000	3,600	4,200	NU2316	NJ	NUP	N
85	130	22	1.1	1	74.5	95.5	7,600	9,750	5,400	6,300	NU1017	NJ	NUP	N
	150	28	2	2	120	140	12,300	14,300	4,500	5,300	NU217	NJ	NUP	N
	150	28	2	2	167	199	17,000	20,300	4,100	4,800	NU217E	NJ	NUP	N
	150	36	2	2	170	218	17,300	22,200	4,100	4,800	NU2217	NJ	NUP	N
	150	36	2	2	217	279	22,200	28,400	3,700	4,300	NU2217E	NJ	NUP	N
	180	41	3	3	212	228	21,600	23,300	3,900	4,600	NU317	NJ	NUP	N
	180	41	3	3	291	330	29,700	33,500	3,500	4,100	NU317E	NJ	NUP	N
	180	60	3	3	315	380	32,000	39,000	3,400	4,000	NU2317	NJ	NUP	N
90	140	24	1.5	1.1	88.0	114	9,000	11,700	5,100	5,900	NU1018	NJ	NUP	N
	160	30	2	2	152	178	15,500	18,100	4,300	5,000	NU218	NJ	NUP	N
	160	30	2	2	182	217	18,500	22,200	3,900	4,600	NU218E	NJ	NUP	N
	160	40	2	2	197	248	20,100	25,300	3,900	4,600	NU2218	NJ	NUP	N
	160	40	2	2	242	315	24,700	32,000	3,500	4,100	NU2218E	NJ	NUP	N
	190	43	3	3	240	265	24,500	27,100	3,700	4,300	NU318	NJ	NUP	N
	190	43	3	3	315	355	32,000	36,000	3,300	3,900	NU318E	NJ	NUP	N
	190	64	3	3	325	395	33,500	40,000	3,200	3,800	NU2318	NJ	NUP	N
95	145	24	1.5	1.1	90.5	120	9,250	12,300	4,800	5,600	NU1019	NJ	NUP	N
	170	32	2.1	2.1	166	195	16,900	19,900	4,000	4,700	NU219	NJ	NUP	N
	170	32	2.1	2.1	220	265	22,500	27,000	3,600	4,300	NU219E	NJ	NUP	N

① This value achieved with machined cages; when pressed cages are used, 80% of this value is acceptable.

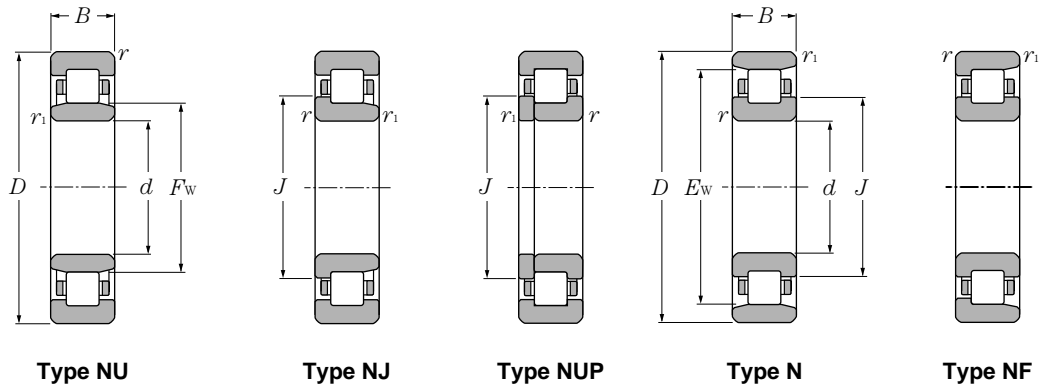
② Minimal allowable dimension for chamfer dimension r or r₁.



Equivalent bearing load
dynamic
 $P_r = F_r$
static
 $P_{or} = F_r$

type	Dimensions			Abutment and fillet dimensions										Mass	
	mm			d_a	d_b	d_c	d_d	d_e	D_a	D_b	r_{as}	r_{ias}	type NU	type N	
NF	F_w	E_w	J	min	min	max	min	min	max	max	min ^④	max	max	(approx.)	
NF	95		104.6	86		93	97	106	149			2	2	5.25	
	104.5	160.5	116	88	88	103	107	118	177	177	162	2.5	2.5	6.22	6.06
NF	91.5	113.5	95.9	85	86.5	90	94	97	118.5	120	114.5	1	1	0.98	0.965
	95.3	125.3	101.2	89	89	94	97	104	131	131	128	2	2	1.5	1.47
	95.3		101.7	89		94	97	104	131			2	2	1.67	
	95.3	125.3	101.2	89	89	94	97	104	131	131	128	2	2	1.93	1.89
	95.3		101.7	89		94	97	104	131			2	2	2.12	
NF	103	147	111.8	91	91	99	105	114	159	159	151	2	2	3.86	3.77
	101		111	91		99	105	114	159			2	2	4.22	
	103	147	111.8	91	91	99	105	114	159	159	151	2	2	5.79	5.67
	101		111	91		99	105	114	159			2	2	6.25	
NF	110	170	122	93	93	109	112	124	187	187	172	2.5	2.5	7.32	7.14
NF	96.5	118.5	100.9	90	91.5	95	99	102	123.5	125	119.5	1	1	1.03	1.01
	101.8	133.8	108.2	94	94	99	104	110	141	141	137	2	2	1.87	1.83
	100.5		107.7	94		99	104	110	141			2	2	2.11	
	101.8	133.8	108.2	94	94	99	104	110	141	141	137	2	2	2.44	2.39
	100.5		107.7	94		99	104	110	141			2	2	2.68	
NF	108	156	117.5	98	98	106	110	119	167	167	160	2.5	2.5	4.54	4.44
	108		118.4	98		106	110	119	167			2.5	2.5	4.81	
	108	156	117.5	98	98	106	110	119	167	167	160	2.5	2.5	6.7	6.57
	108		118.4	98		106	110	119	167			2.5	2.5	7.16	
NF	103	127	107.8	96.5	98	101	106	109	132	133.5	129	1.5	1	1.33	1.31
	107	143	114.2	99	99	105	109	116	151	151	146	2	2	2.3	2.25
	107		114.6	99		105	109	116	151			2	2	2.44	
	107	143	114.2	99	99	105	109	116	151	151	146	2	2	3.1	3.04
	107		114.6	99		105	109	116	151			2	2	3.33	
NF	115	165	125	103	103	111	117	127	177	177	169	2.5	2.5	5.3	5.18
	113.5		124.7	103		111	117	127	177			2.5	2.5	5.72	
	115	165	125	103	103	111	117	127	177	177	169	2.5	2.5	7.95	7.79
	113.5		124.7	103		111	117	127	177			2.5	2.5	8.56	
NF	108	132	112.8	101.5	103	106	111	114	137	138.5	134	1.5	1	1.4	1.38
	113.5	151.5	121	106	106	111	116	123	159	159	155	2	2	2.78	2.72
	112.5		121	106		111	116	123	159			2	2	3.02	

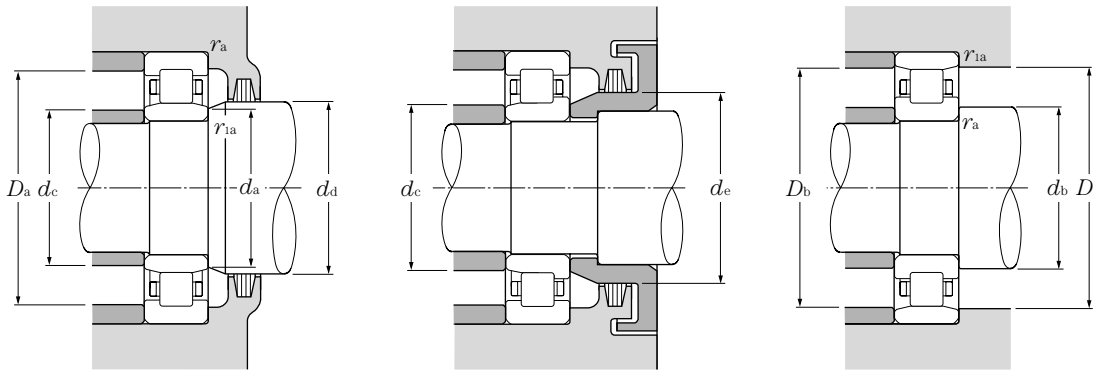
④ Does not apply to side of the outer ring rib of type NF bearings.



d 90 ~ 110mm

d	Boundary dimensions					Basic load ratings				Limiting speeds ^①		Bearing numbers			
	mm					dynamic	static	dynamic	static	rpm		type	type	type	type
	D	B	r _{s min} ^②	r _{1s min} ^②	C _r	kN	C _{or}	kgf	C _r	C _{or}	grease	oil	NU	NJ	NUP
95	170	43	2.1	2.1	230	298	23,500	30,500	3,600	4,300	NU2219	NJ	NUP	N	
	170	43	2.1	2.1	286	370	29,200	38,000	3,300	3,800	NU2219E	NJ	NUP	N	
	200	45	3	3	259	285	26,400	29,500	3,400	4,000	NU319	NJ	NUP	N	
	200	45	3	3	335	385	34,000	39,500	3,100	3,600	NU319E	NJ	NUP	N	
	200	67	3	3	370	460	38,000	47,000	3,000	3,500	NU2319	NJ	NUP	N	
	200	67	3	3	460	585	47,000	59,500	2,700	3,200	NU2319E	NJ	NUP	N	
100	150	24	1.5	1.1	93.0	126	9,500	12,800	4,600	5,400	NU1020	NJ	NUP	N	
	180	34	2.1	2.1	183	217	18,600	22,200	3,800	4,500	NU220	NJ	NUP	N	
	180	34	2.1	2.1	249	305	25,400	31,000	3,500	4,100	NU220E	NJ	NUP	N	
	180	46	2.1	2.1	258	340	26,300	34,500	3,500	4,100	NU2220	NJ	NUP	N	
	180	46	2.1	2.1	335	445	34,000	45,500	3,100	3,600	NU2220E	NJ	NUP	N	
	215	47	3	3	299	335	30,500	34,500	3,300	3,800	NU320	NJ	NUP	N	
	215	47	3	3	380	425	38,500	43,500	2,900	3,500	NU320E	NJ	NUP	N	
	215	73	3	3	410	505	42,000	51,500	2,900	3,400	NU2320	NJ	NUP	N	
215	73	3	3	570	715	58,000	73,000	2,600	3,100	NU2320E	NJ	NUP	N		
105	160	26	2	1.1	105	142	10,700	14,500	4,300	5,100	NU1021	NJ	NUP	N	
	190	36	2.1	2.1	201	241	20,500	24,600	3,600	4,300	NU221	NJ	NUP	N	
	225	49	3	3	320	360	32,500	36,500	3,100	3,700	NU321	NJ	NUP	N	
110	170	28	2	1.1	131	174	13,400	17,700	4,100	4,800	NU1022	NJ	NUP	N	
	200	38	2.1	2.1	240	290	24,500	29,500	3,400	4,000	NU222	NJ	NUP	N	
	200	38	2.1	2.1	293	365	29,800	37,000	3,100	3,700	NU222E	NJ	NUP	N	
	200	53	2.1	2.1	320	415	32,500	42,000	3,100	3,700	NU2222	NJ	NUP	N	
	200	53	2.1	2.1	385	515	39,000	52,500	2,800	3,300	NU2222E	NJ	NUP	N	
	240	50	3	3	360	400	36,500	41,000	3,000	3,500	NU322	NJ	NUP	N	
	240	50	3	3	450	525	46,000	53,500	2,700	3,100	NU322E	NJ	NUP	N	
	240	80	3	3	605	790	61,500	80,500	2,600	3,100	NU2322	NJ	NUP	N	
240	80	3	3	675	880	69,000	89,500	2,400	2,800	NU2322E	NJ	NUP	N		
120	180	28	2	1.1	139	191	14,100	19,500	3,800	4,400	NU1024	NJ	NUP	N	
	215	40	2.1	2.1	260	320	26,500	32,500	3,200	3,700	NU224	NJ	NUP	N	
	215	40	2.1	2.1	335	420	34,000	43,000	2,900	3,400	NU224E	NJ	NUP	N	
	215	58	2.1	2.1	350	460	35,500	47,000	2,900	3,400	NU2224	NJ	NUP	N	
	215	58	2.1	2.1	450	620	46,000	63,000	2,600	3,000	NU2224E	NJ	NUP	N	
	260	55	3	3	450	510	46,000	52,000	2,700	3,200	NU324	NJ	NUP	N	

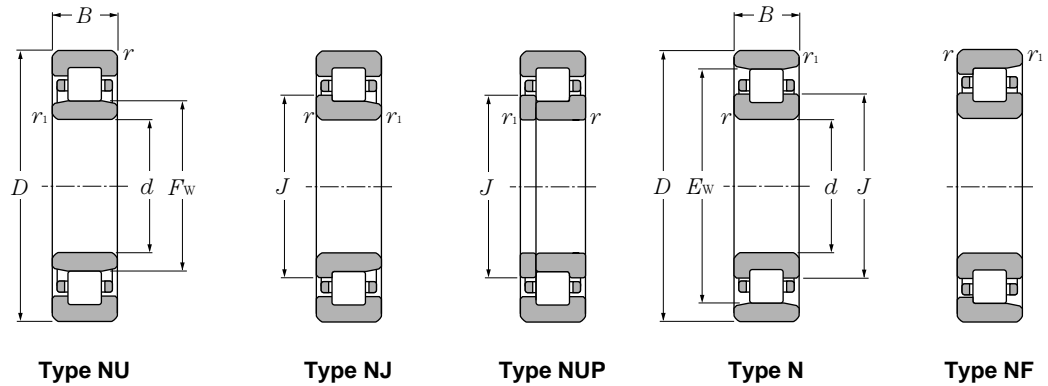
① This value achieved with machined cages; when pressed cages are used, 80% of this value is acceptable.
 ② Minimal allowable dimension for chamfer dimension r or r_1 .



Equivalent bearing load
dynamic
 $P_r = F_r$
static
 $P_{or} = F_r$

type	Dimensions			Abutment and fillet dimensions										Mass	
	F_w	E_w	J	d_a min	d_b min	d_c max	d_d min	d_e min	D_a max	D_b max	D_b min ^④	r_{as} max	r_{ias} max	type NU (approx.)	type N
NF	113.5	151.5	121	106	106	111	116	123	159	159	155	2	2	3.79	3.71
	112.5		121	106		111	116	123	159			2	2	4.14	
	121.5	173.5	132	108	108	119	124	134	187	187	178	2.5	2.5	6.13	5.99
	121.5		132.7	108		119	124	134	187			2.5	2.5	6.62	
	121.5	173.5	132	108	108	119	124	134	187	187	178	2.5	2.5	9.2	9.02
	121.5		132.7	108		119	124	134	187			2.5	2.5	9.8	
NF	113	137	117.8	106.5	108	111	116	119	142	143.5	139	1.5	1	1.45	1.43
	120	160	128	111	111	117	122	130	169	169	164	2	2	3.33	3.26
	119		128	111		117	122	130	169			2	2	3.66	
	120	160	128	111	111	117	122	130	169	169	164	2	2	4.57	4.48
NF	119		128	111		117	122	130	169			2	2	5.01	
	129.5	185.5	140.5	113	113	125	132	143	202	202	190	2.5	2.5	7.49	7.32
	127.5		140.3	113		125	132	143	202			2.5	2.5	8.57	
	129.5	185.5	140.5	113	113	125	132	143	202	202	190	2.5	2.5	11.7	11.5
127.5		140.3	113		125	132	143	202			2.5	2.5	12.8		
NF	119.5	145.5	124.7	111.5	114	118	122	126	151	153.5	147.5	2	1	1.84	1.81
	126.8	168.8	135	116	116	124	129	137	179	179	173	2	2	3.95	3.87
NF	135	195	147	118	118	132	137	149	212	212	199	2.5	2.5	8.53	8.33
NF	125	155	131	116.5	119	124	128	132	161	163.5	157	2	1	2.33	2.3
	132.5	178.5	141.5	121	121	130	135	144	189	189	182	2	2	4.63	4.54
	132.5		142.1	121		130	135	144	189			2	2	4.27	
	132.5	178.5	141.5	121	121	130	135	144	189	189	182	2	2	6.56	6.43
NF	132.5		142.1	121		130	135	144	189			2	2	7.4	
	143	207	155.5	123	123	140	145	158	227	227	211	2.5	2.5	10	9.77
	143		156.6	123		140	145	158	227			2.5	2.5	11.1	
	143	207	155.5	123	123	140	145	158	227	227	211	2.5	2.5	17.1	16.8
143		156.6	123		140	145	158	227			2.5	2.5	19.4		
NF	135	165	141	126.5	129	134	138	142	171	173.5	167	2	1	2.44	2.4
	143.5	191.5	153	131	131	141	146	156	204	204	196	2	2	5.57	5.46
	143.5		153.9	131		141	146	156	204			2	2	5.97	
	143.5	191.5	153	131	131	141	146	156	204	204	196	2	2	8.19	8.03
	143.5		153.9	131		141	146	156	204			2	2	9.18	
NF	154	226	168.5	133	133	151	156	171	247	247	230	2.5	2.5	12.8	12.5

④ Does not apply to side of the outer ring rib of type NF bearings.

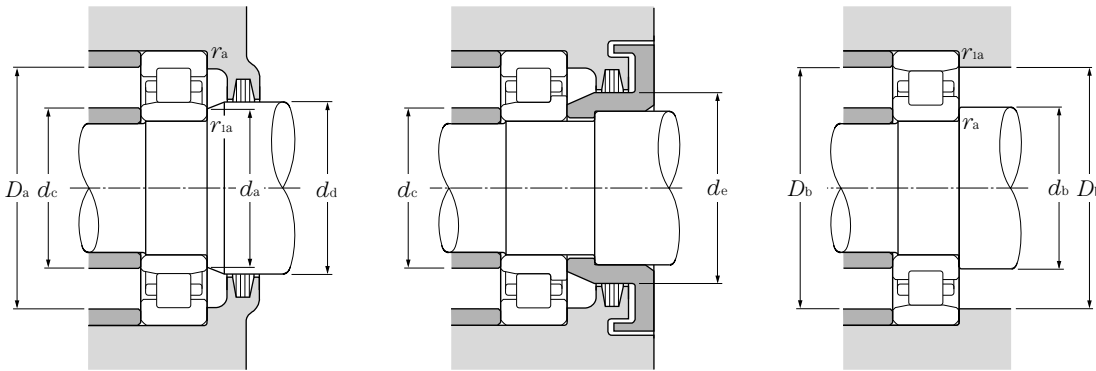


d 120 ~ 150mm

d	Boundary dimensions				Basic load ratings				Limiting speeds ^①		Bearing numbers			
	mm				dynamic	static	dynamic	static	rpm		type NU	type NJ	type NUP	type N
	D	B	r _{s min} ^②	r _{1s min} ^②	C _r	C _{or}	C _r	C _{or}	grease	oil				
120	260	55	3	3	530	610	54,000	62,000	2,400	2,800	NU324E	NJ	NUP	
	260	86	3	3	710	920	72,500	93,500	2,400	2,800	NU2324	NJ	NUP	N
	260	86	3	3	795	1,030	81,000	105,000	2,200	2,500	NU2324E	NJ	NUP	
130	200	33	2	1.1	172	238	17,500	24,200	3,400	4,000	NU1026	NJ	NUP	N
	230	40	3	3	270	340	27,600	35,000	2,900	3,400	NU226	NJ	NUP	N
	230	40	3	3	365	455	37,000	46,000	2,600	3,100	NU226E	NJ	NUP	
	230	64	3	3	380	530	38,500	54,000	2,600	3,100	NU2226	NJ	NUP	N
	230	64	3	3	530	735	54,000	75,000	2,300	2,700	NU2226E	NJ	NUP	
	280	58	4	4	560	665	57,000	68,000	2,500	2,900	NU326	NJ	NUP	N
	280	58	4	4	615	735	63,000	75,000	2,200	2,600	NU326E	NJ	NUP	
	280	93	4	4	840	1,130	85,500	115,000	2,200	2,600	NU2326	NJ	NUP	N
140	210	33	2	1.1	176	250	17,900	25,500	3,200	3,800	NU1028	NJ	NUP	N
250	42	3	3	310	400	31,500	40,500	2,700	3,100	NU228	NJ	NUP	N	
250	42	3	3	395	515	40,000	52,500	2,400	2,800	NU228E	NJ	NUP		
250	68	3	3	445	635	45,500	64,500	2,400	2,800	NU2228	NJ	NUP	N	
250	68	3	3	575	835	58,500	85,000	2,100	2,500	NU2228E	NJ	NUP		
300	62	4	4	615	745	63,000	76,000	2,300	2,700	NU328	NJ	NUP	N	
300	62	4	4	665	795	67,500	81,500	2,100	2,400	NU328E	NJ	NUP		
300	102	4	4	920	1,250	94,000	127,000	2,000	2,300	NU2328	NJ	NUP	N	
300	102	4	4	1,020	1,380	104,000	141,000	1,800	2,100	NU2328E	NJ	NUP		
150	225	35	2.1	1.5	202	294	20,600	29,900	3,000	3,500	NU1030	NJ	NUP	N
	270	45	3	3	345	435	35,000	44,500	2,500	2,900	NU230	NJ	NUP	N
	270	45	3	3	450	595	45,500	60,500	2,200	2,600	NU230E	NJ	NUP	
	270	73	3	3	500	710	51,000	72,500	2,200	2,600	NU2230	NJ	NUP	N
	270	73	3	3	660	980	67,500	100,000	2,000	2,400	NU2230E	NJ	NUP	
	320	65	4	4	665	805	67,500	82,500	2,100	2,500	NU330	NJ	NUP	N
	320	65	4	4	760	920	77,500	94,000	1,900	2,300	NU330E	NJ	NUP	
	320	108	4	4	1,020	1,400	104,000	143,000	1,900	2,200	NU2330	NJ	NUP	N
160	240	38	2.1	1.5	238	340	24,200	35,000	2,800	3,300	NU1032	NJ	NUP	N
290	48	3	3	430	570	43,500	58,000	2,300	2,700	NU232	NJ	NUP	N	
290	48	3	3	500	665	51,000	68,000	2,100	2,400	NU232E	NJ	NUP		

① This value achieved with machined cages; when pressed cages are used, 80% of this value is acceptable.

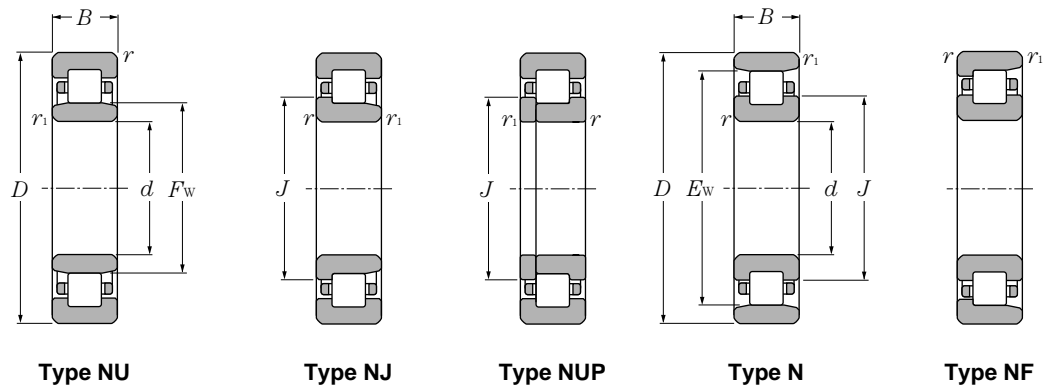
② Minimal allowable dimension for chamfer dimension r or r₁.



Equivalent bearing load
dynamic
 $P_r = F_r$
static
 $P_{or} = F_r$

type	Dimensions			Abutment and fillet dimensions										Mass	
	F_w	E_w	J	d_a min	d_b min	d_c max	d_d min	d_e min	D_a max	D_b max	D_b min ^④	r_{as} max	r_{1as} max	type NU (approx.)	type N
NF	154		169.2	133		151	156	171	247			2.5	2.5	13.9	
	154	226	168.5	133	133	151	156	171	247	247	230	2.5	2.5	21.5	21.1
	154		169.2	133		151	156	171	247			2.5	2.5	26.1	
NF	148	182	154.8	136.5	139	146	151	156	191	193.5	184	2	1	3.69	3.63
	156	204	165.5	143	143	151	158	168	217	217	208	2.5	2.5	6.3	6.17
	153.5		164.7	143		151	158	168	217			2.5	2.5	6.9	
NF	156	204	165.5	143	143	151	158	168	217	217	208	2.5	2.5	10.2	10
	153.5		164.7	143		151	158	168	217			2.5	2.5	11.8	
	167	243	182	146	146	164	169	184	264	264	247	3	3	17.4	17
NF	167		183	146		164	169	184	264			3	3	19.4	
	167	243	182	146	146	164	169	184	264	264	247	3	3	26.9	26.4
	167		183	146		164	169	184	264			3	3	30.9	
NF	158	192	164.8	146.5	149	156	161	166	201	203.5	194	2	1	4.05	3.98
	169	221	179.5	153	153	166	171	182	237	237	225	2.5	2.5	7.88	7.72
	169		180.2	153		166	171	182	237			2.5	2.5	8.73	
NF	169	221	179.5	153	153	166	171	182	237	237	225	2.5	2.5	12.9	12.6
	169		180.2	153		166	171	182	237			2.5	2.5	15.8	
	180	260	196	156	156	176	182	198	284	284	265	3	3	21.2	20.7
NF	180		196.8	156		176	182	198	284			3	3	23.2	
	180	260	196	156	156	176	182	198	284	284	265	3	3	33.8	33.1
	180		196.8	156		176	182	198	284			3	3	38.7	
NF	169.5	205.5	176.7	158	161	167	173	178	214	217	207.5	2	1.5	4.77	4.7
	182	238	193	163	163	179	184	196	257	257	242	2.5	2.5	9.92	9.72
	182		194	163		179	184	196	257			2.5	2.5	11	
NF	182	238	193	163	163	179	184	196	257	257	242	2.5	2.5	16.3	16
	182		194	163		179	184	196	257			2.5	2.5	19.7	
	193	277	210	166	166	190	195	213	304	304	282	3	3	25.3	24.7
NF	193		211	166		190	195	213	304			3	3	28.4	
	193	277	210	166	166	190	195	213	304	304	282	3	3	40.6	39.8
	193		211	166		190	195	213	304			3	3	47.2	
NF	180	220	188	168	171	178	184	189	229	232	222	2	1.5	5.9	5.81
	195	255	207	173	173	192	197	210	277	277	259	2.5	2.5	13.7	13.4
	195		207.8	173		192	197	210	277			2.5	2.5	15.6	

④ Does not apply to side of the outer ring rib of type NF bearings.

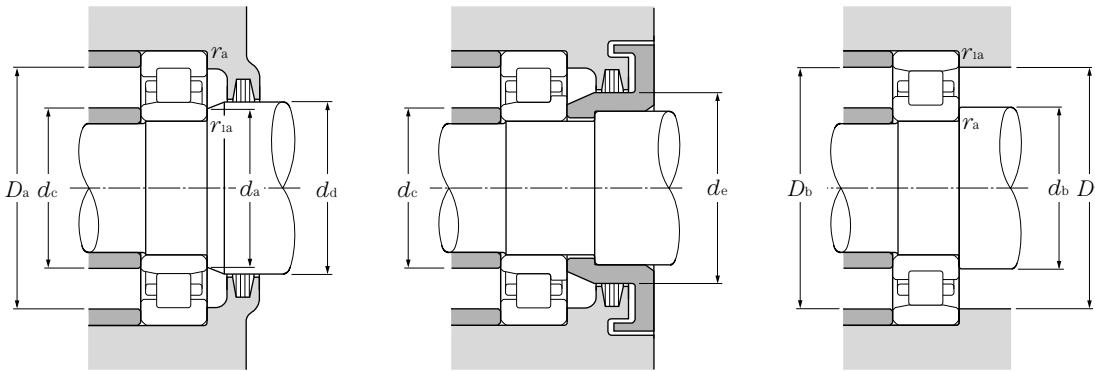


d 160 ~ 200mm

d	Boundary dimensions				Basic load ratings				Limiting speeds ^①		Bearing numbers			
	mm				dynamic	static	dynamic	static	rpm		type	type	type	type
	D	B	r _{s min} ^②	r _{1s min} ^②	C _r	C _{or}	C _r	C _{or}	grease	oil	NU	NJ	NUP	N
160	290	80	3	3	630	940	64,500	96,000	2,100	2,400	NU2232	NJ	NUP	N
	290	80	3	3	810	1,190	82,500	121,000	1,900	2,200	NU2232E	NJ	NUP	
	340	68	4	4	700	875	71,000	89,500	2,000	2,300	NU332	NJ	NUP	N
	340	68	4	4	860	1,050	87,500	107,000	1,800	2,100	NU332E	NJ	NUP	
	340	114	4	4	1,070	1,520	109,000	155,000	1,700	2,000	NU2332	NJ	NUP	N
	340	114	4	4	1,310	1,820	134,000	186,000	1,600	1,900	NU2332E	NJ	NUP	
170	260	42	2.1	2.1	278	400	28,300	41,000	2,600	3,000	NU1034	NJ	NUP	N
	310	52	4	4	475	635	48,500	65,000	2,200	2,500	NU234	NJ	NUP	N
	310	52	4	4	605	800	61,500	81,500	2,000	2,300	NU234E	NJ	NUP	
	310	86	4	4	715	1,080	73,000	110,000	2,000	2,300	NU2234	NJ	NUP	N
	310	86	4	4	965	1,410	98,500	144,000	1,800	2,100	NU2234E	NJ	NUP	
	360	72	4	4	795	1,010	81,500	103,000	1,800	2,200	NU334	NJ	NUP	N
180	360	120	4	4	1,220	1,750	125,000	179,000	1,600	1,900	NU2334	NJ	NUP	N
	280	46	2.1	2.1	340	485	35,000	49,500	2,400	2,900	NU1036	NJ	NUP	N
	320	52	4	4	495	675	50,500	69,000	2,000	2,400	NU236	NJ	NUP	N
	320	52	4	4	625	850	64,000	87,000	1,800	2,200	NU236E	NJ	NUP	
	320	86	4	4	745	1,140	76,000	117,000	1,800	2,200	NU2236	NJ	NUP	N
	320	86	4	4	1,010	1,510	103,000	154,000	1,600	1,900	NU2236E	NJ	NUP	
190	380	75	4	4	905	1,150	92,000	118,000	1,700	2,000	NU336	NJ	NUP	N
	380	126	4	4	1,380	1,990	141,000	203,000	1,500	1,800	NU2336	NJ	NUP	N
	290	46	2.1	2.1	350	510	36,000	52,000	2,300	2,700	NU1038	NJ	NUP	N
	340	55	4	4	555	770	56,500	78,500	1,900	2,200	NU238	NJ	NUP	N
	340	55	4	4	695	955	71,000	97,500	1,700	2,000	NU238E	NJ	NUP	
	340	92	4	4	830	1,290	84,500	131,000	1,700	2,000	NU2238	NJ	NUP	N
200	340	92	4	4	1,100	1,670	113,000	170,000	1,500	1,800	NU2238E	NJ	NUP	
	400	78	5	5	975	1,260	99,500	129,000	1,600	1,900	NU338	NJ	NUP	N
	400	132	5	5	1,520	2,220	155,000	226,000	1,400	1,700	NU2338	NJ	NUP	N
	310	51	2.1	2.1	390	580	40,000	59,500	2,200	2,600	NU1040	NJ	NUP	N
	360	58	4	4	620	865	63,500	88,500	1,800	2,100	NU240	NJ	NUP	N
	360	58	4	4	765	1,060	78,000	108,000	1,600	1,900	NU240E	NJ	NUP	
200	360	98	4	4	925	1,440	94,000	147,000	1,600	1,900	NU2240	NJ	NUP	N
	360	98	4	4	1,220	1,870	125,000	191,000	1,500	1,700	NU2240E	NJ	NUP	
	420	80	5	5	975	1,270	99,500	130,000	1,500	1,800	NU340	NJ	NUP	N

① This value achieved with machined cages; when pressed cages are used, 80% of this value is acceptable.

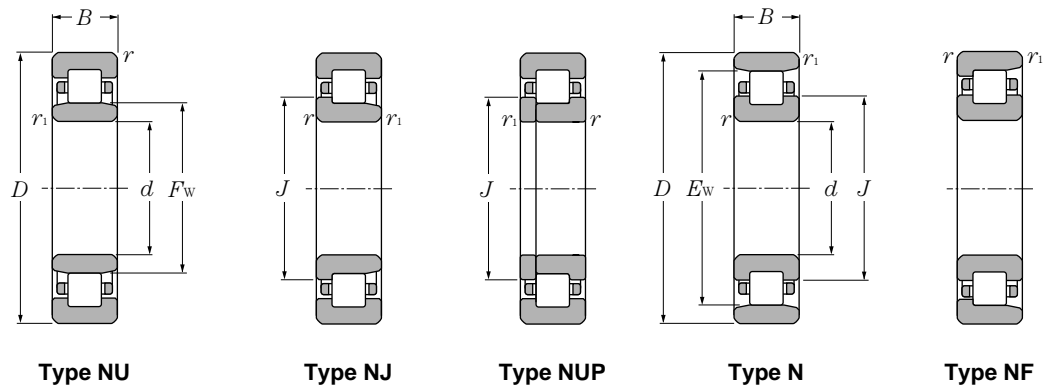
② Minimal allowable dimension for chamfer dimension r or r_1 .



Equivalent bearing load
dynamic
 $P_r = F_r$
static
 $P_{or} = F_r$

type	Dimensions			Abutment and fillet dimensions										Mass	
	F_w	E_w	J	d_a min	d_b min	d_c max	d_d min	d_e min	D_a max	D_b max	D_b min ^①	r_{as} max	r_{ias} max	type NU (approx.)	type N
NF	195	255	207	173	173	192	197	210	277	277	259	2.5	2.5	22	21.6
	193		206.6	173		192	197	210	277			2.5	2.5	25.1	
	208	292	225	176	176	200	211	228	324	324	297	3	3	31.3	30.6
	204		223.2	176		200	211	228	324			3	3	34	
	208	292	225	176	176	200	211	228	324	324	297	3	3	50.5	49.5
	204		223.2	176		200	211	228	324			3	3	56	
NF	193	237	201.8	181	181	190	197	203	249	249	239	2	2	7.88	7.76
	208	272	220.5	186	186	204	211	223	294	294	277	3	3	17	16.7
	207		221.4	186		204	211	223	294			3	3	19.6	
	208	272	220.5	186	186	204	211	223	294	294	277	3	3	27.2	26.7
	205		220.2	186		204	211	223	294			3	3	31	
NF	220	310	238	186	186	216	223	241	344	344	315	3	3	37	36.1
	220	310	238	186	186	216	223	241	344	344	315	3	3	59.5	58.3
NF	205	255	215	191	191	203	209	216	269	269	257	2	2	10.3	10.1
	218	282	230.5	196	196	214	221	233	304	304	287	3	3	17.7	17.3
	217		231.4	196		214	221	233	304			3	3	20.4	
	218	282	230.5	196	196	214	221	233	304	304	287	3	3	28.4	27.8
NF	215		230.2	196		214	221	233	304			3	3	31.9	
	232	328	252	196	196	227	235	255	364	364	333	3	3	44.2	43.2
	232	328	252	196	196	227	235	255	364	364	333	3	3	69.5	68.1
NF	215	265	225	201	201	213	219	226	279	279	267	2	2	10.7	10.5
	231	299	244.5	206	206	227	234	247	324	324	304	3	3	21.3	20.8
	230		245.2	206		227	234	247	324			3	3	24.2	
	231	299	244.5	206	206	227	234	247	324	324	304	3	3	34.4	33.7
	228		244	206		227	234	247	324			3	3	39.5	
NF	245	345	265	210	210	240	248	268	380	380	351	4	4	49.4	48.3
	245	345	265	210	210	240	248	268	380	380	351	4	4	80.5	78.9
NF	229	281	239.4	211	211	226	233	241	299	299	283	2	2	13.9	13.7
	244	316	258	216	216	240	247	261	344	344	321	3	3	25.3	24.8
	243		259	216		240	247	261	344			3	3	28.1	
	244	316	258	216	216	240	247	261	344	344	321	3	3	41.3	40.5
	241		257.8	216		240	247	261	344			3	3	47.8	
NF	260	360	280	220	220	254	263	283	400	400	366	4	4	55.8	54.5

① Does not apply to side of the outer ring rib of type NF bearings.

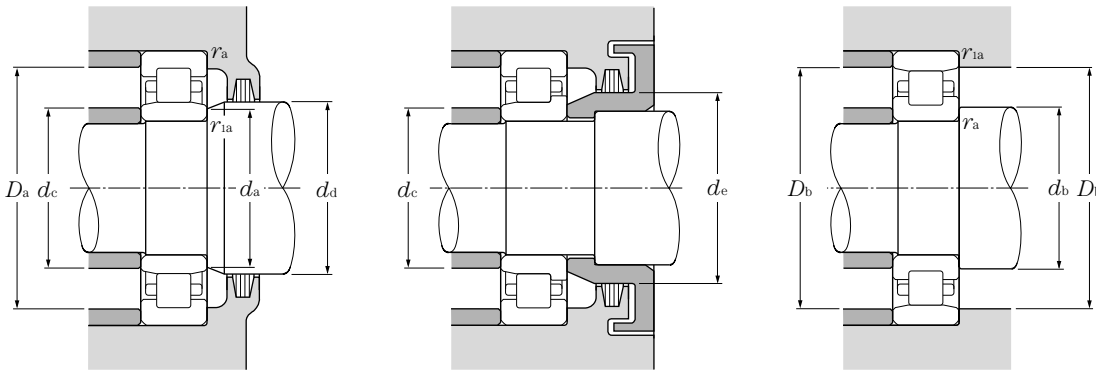


d 200 ~ 360mm

d	Boundary dimensions				Basic load ratings				Limiting speeds ^①		Bearing numbers			
	mm				dynamic		static		rpm		type NU	type NJ	type NUP	type N
	D	B	r _{s min} ^②	r _{1s min} ^②	C _r	C _{or}	C _r	C _{or}	grease	oil				
200	420	138	5	5	1,510	2,240	154,000	229,000	1,400	1,600	NU2340	NJ	NUP	N
220	340	56	3	3	500	750	51,000	76,500	2,000	2,300	NU1044	NJ	NUP	N
	400	65	4	4	760	1,080	77,500	110,000	1,600	1,900	NU244	NJ	NUP	N
	400	108	4	4	1,140	1,810	116,000	184,000	1,500	1,700	NU2244	NJ	NUP	N
	460	88	5	5	1,190	1,570	122,000	161,000	1,400	1,600	NU344	NJ	NUP	N
	460	145	5	5	1,780	2,620	181,000	268,000	1,200	1,400	NU2344	NJ	NUP	N
240	360	56	3	3	530	820	54,000	83,500	1,800	2,100	NU1048	NJ	NUP	N
	440	72	4	4	935	1,340	95,500	136,000	1,500	1,700	NU248	NJ	NUP	N
	440	120	4	4	1,440	2,320	146,000	236,000	1,300	1,600	NU2248	NJ	NUP	N
	500	95	5	5	1,430	1,950	146,000	198,000	1,300	1,500	NU348	NJ	NUP	N
	500	155	5	5	2,100	3,200	214,000	325,000	1,100	1,300	NU2348	NJ	NUP	N
260	400	65	4	4	645	1,000	65,500	102,000	1,600	1,900	NU1052	NJ	NUP	N
	480	80	5	5	1,150	1,660	117,000	170,000	1,300	1,600	NU252	NJ	NUP	N
	480	130	5	5	1,780	2,930	182,000	299,000	1,200	1,400	NU2252	NJ	NUP	N
	540	102	6	6	1,620	2,230	165,000	228,000	1,200	1,400	NU352	NJ	NUP	N
	540	165	6	6	2,340	3,600	239,000	365,000	1,000	1,200	NU2352	NJ	NUP	N
280	420	65	4	4	660	1,050	67,000	107,000	1,500	1,800	NU1056	NJ	NUP	N
	500	80	5	5	1,190	1,760	121,000	180,000	1,200	1,400	NU256	NJ	NUP	N
	500	130	5	5	1,840	3,100	188,000	315,000	1,100	1,300	NU2256	NJ	NUP	N
	580	108	6	6	1,820	2,540	185,000	259,000	1,100	1,200	NU356	NJ	NUP	N
	580	175	6	6	2,700	4,250	275,000	430,000	920	1,100	NU2356	NJ	NUP	N
300	460	74	4	4	855	1,340	87,000	137,000	1,400	1,600	NU1060	NJ	NUP	N
	540	85	5	5	1,400	2,070	143,000	211,000	1,100	1,300	NU260	NJ	NUP	N
	540	140	5	5	2,180	3,650	223,000	370,000	1,000	1,200	NU2260	NJ	NUP	N
320	480	74	4	4	875	1,410	89,500	143,000	1,300	1,500	NU1064	NJ	NUP	N
	580	92	5	5	1,600	2,390	164,000	244,000	1,000	1,200	NU264	NJ	NUP	N
	580	150	5	5	2,550	4,350	260,000	445,000	950	1,100	NU2264	NJ	NUP	N
340	520	82	5	5	1,050	1,670	107,000	170,000	1,200	1,400	NU1068	NJ	NUP	N
360	540	82	5	5	1,080	1,750	110,000	179,000	1,100	1,300	NU1072	NJ	NUP	N

① This value achieved with machined cages; when pressed cages are used, 80% of this value is acceptable.

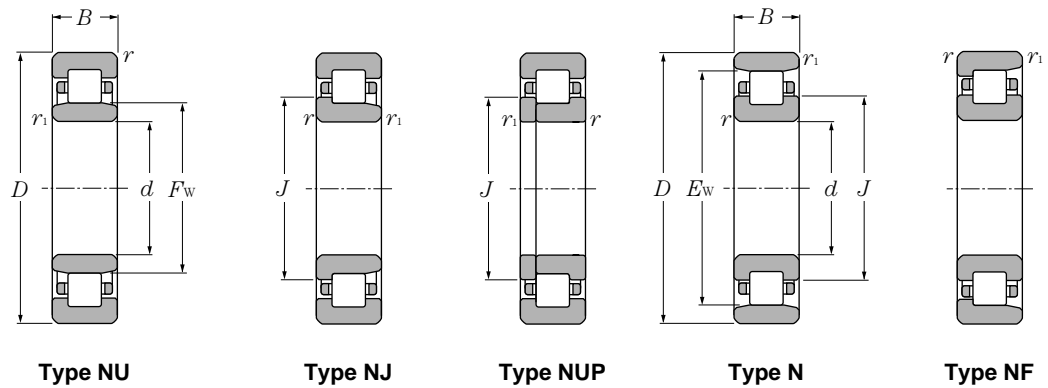
② Minimal allowable dimension for chamfer dimension r or r_1 .



Equivalent bearing load
dynamic
 $P_r = F_r$
static
 $P_{or} = F_r$

type	Dimensions			Abutment and fillet dimensions										Mass	
	F_w	E_w	J	d_a min	d_b min	d_c max	d_d min	d_e min	D_a max	D_b max	D_b min ^①	r_{as} max	r_{ias} max	type NU (approx.)	type N
NF	260	360	280	220	220	254	263	283	400	400	366	4	4	92.6	90.7
NF	250	310	262	233	233	248	254	264	327	327	313	2.5	2.5	18.2	17.9
	270	350	286	236	236	266	273	289	384	384	355	3	3	37.7	37
NF	270	350	286	236	236	266	273	289	384	384	355	3	3	59	57.8
	284	396	307	240	240	279	287	307	440	440	402	4	4	73.4	71.7
NF	284	396	307	240	240	279	287	307	440	440	402	4	4	116	114
	270	330	282	253	253	268	275	284	347	347	333	2.5	2.5	19.6	19.3
NF	295	385	313	256	256	293	298	316	424	424	390	3	3	50.2	49.2
	295	385	313	256	256	293	298	316	424	424	390	3	3	80	78.4
NF	310	430	335	260	260	305	313	333	480	480	436	4	4	93.4	91.3
	310	430	335	260	260	305	313	333	480	480	436	4	4	147	144
NF	296	364	309.6	276	276	292	300	312	384	384	367	3	3	29.1	28.7
	320	420	340	280	280	318	323	343	460	460	426	4	4	66.9	65.6
NF	320	420	340	280	280	318	323	343	460	460	426	4	4	104	102
	336	464	362	284	284	331	339	359	516	516	471	5	5	117	114
NF	336	464	362	284	284	331	339	359	516	516	471	5	5	182	178
	316	384	329.6	296	296	312	320	332	404	404	387	3	3	30.9	30.4
NF	340	440	360	300	300	336	343	365	480	480	446	4	4	70.8	69.4
	340	440	360	300	300	336	343	365	480	480	446	4	4	109	107
NF	362	498	390	304	304	356	366	386	556	556	505	5	5	142	139
	362	498	390	304	304	356	366	386	556	556	505	5	5	222	218
NF	340	420	356	316	316	336	344	358	444	444	423	3	3	43.6	42.9
	364	476	387	320	320	361	368	392	520	520	482	4	4	88.2	86.4
NF	364	476	387	320	320	361	368	392	520	520	482	4	4	138	135
	360	440	376	336	336	356	364	378	464	464	443	3	3	46	45.3
NF	390	510	415	340	340	386	393	419	560	560	516	4	4	111	109
	390	510	415	340	340	386	393	419	560	560	516	4	4	172	168
NF	385	475	403	360	360	381	390	405	500	500	479	4	4	61.8	60.8
NF	405	495	423	380	380	401	410	425	520	520	499	4	4	64.7	63.7

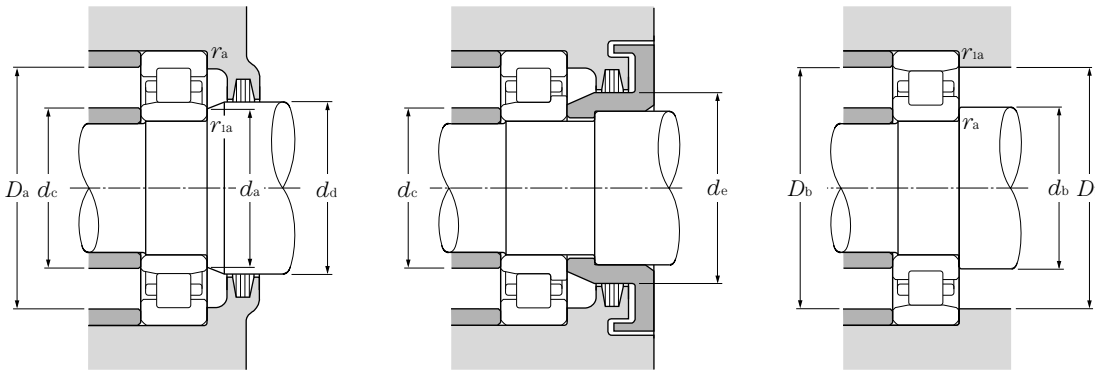
① Does not apply to side of the outer ring rib of type NF bearings.



d 380 ~ 500mm

d	Boundary dimensions				Basic load ratings				Limiting speeds ^①		Bearing numbers			
	D	B	mm		kN		kgf		rpm		type NU	type NJ	type NUP	type N
			$r_{s\ min}^{②}$	$r_{1s\ min}^{②}$	C_r	C_{or}	C_r	C_{or}	grease	oil				
380	560	82	5	5	1,100	1,840	112,000	187,000	1,100	1,200	NU1076	NJ	NUP	N
400	600	90	5	5	1,320	2,190	134,000	223,000	990	1,200	NU1080	NJ	NUP	N
420	620	90	5	5	1,350	2,290	138,000	233,000	950	1,100	NU1084	NJ	NUP	N
440	650	94	6	6	1,430	2,430	146,000	248,000	900	1,100	NU1088	NJ	NUP	N
460	680	100	6	6	1,540	2,630	157,000	269,000	850	1,000	NU1092	NJ	NUP	N
480	700	100	6	6	1,580	2,750	161,000	280,000	810	960	NU1096	NJ	NUP	N
500	720	100	6	6	1,610	2,870	164,000	292,000	770	910	NU10/500	NJ	NUP	N

① This value achieved with machined cages; when pressed cages are used, 80% of this value is acceptable.
 ② Minimal allowable dimension for chamfer dimension r or r_1 .

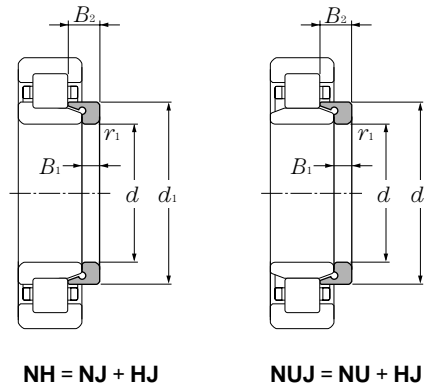


Equivalent bearing load
dynamic
 $P_r = F_r$
static
 $P_{or} = F_r$

type NF	Dimensions			Abutment and fillet dimensions										Mass	
	F_w	E_w	J	d_a min	d_b min	d_c max	d_d min	d_e min	D_a max	D_b max	D_b min ^④	r_{as} max	r_{ias} max	type NU (approx.)	type N
	425	515	443	400	400	421	430	445	540	540	519	4	4	67.5	66.5
	450	550	470	420	420	446	455	473	580	580	554	4	4	87.6	86.3
	470	570	490	440	440	466	475	493	600	600	574	4	4	91	89.6
	493	597	513.8	464	464	488	499	517	626	626	602	5	5	105	103
	516	624	537.6	484	484	511	522	541	656	656	629	5	5	122	120
	536	644	557.6	504	504	531	542	561	676	676	649	5	5	126	124
	556	664	577.6	524	524	551	562	581	696	696	669	5	5	130	128

④ Does not apply to side of the outer ring rib of type NF bearings.

L type collar ring

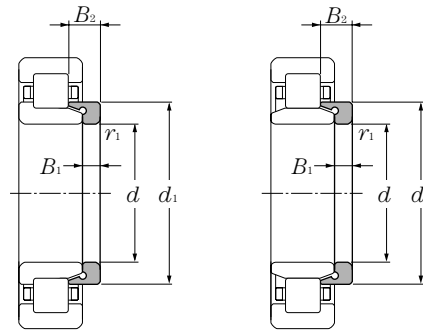


d 20 ~ 60mm

	Dimensions					Bearing numbers	Mass kg (approx.)
	d	d ₁	B ₁	B ₂	r _{1s min} ^①		
20	29.9	3	6.75	0.6	HJ204	0.012	
	29.5	3	5.5	0.6	HJ204E	0.009	
	29.9	3	7.5	0.6	HJ2204	0.013	
	29.5	3	6.5	0.6	HJ2204E	0.01	
	31.8	4	7.5	0.6	HJ304	0.017	
	31.1	4	6.5	0.6	HJ304E	0.014	
	31.8	4	8.5	0.6	HJ2304	0.018	
	31.1	4	7.5	0.6	HJ2304E	0.015	
25	34.8	3	7.25	0.6	HJ205	0.015	
	34.5	3	6	0.6	HJ205E	0.012	
	34.8	3	7.5	0.6	HJ2205	0.015	
	34.5	3	6.5	0.6	HJ2205E	0.013	
	39	4	8	1.1	HJ305	0.025	
	38	4	7	1.1	HJ305E	0.021	
	39	4	9	1.1	HJ2305	0.027	
	38	4	8	1.1	HJ2305E	0.024	
	43.6	6	10.5	1.5	HJ405	0.057	
30	41.7	4	8.25	0.6	HJ206	0.025	
	41.1	4	7	0.6	HJ206E	0.017	
	41.7	4	8.5	0.6	HJ2206	0.025	
	41.1	4	7.5	0.6	HJ2206E	0.02	
	45.9	5	9.5	1.1	HJ306	0.039	
	44.9	5	8.5	1.1	HJ306E	0.035	
	45.9	5	11.5	1.1	HJ2306	0.043	
	44.9	5	9.5	1.1	HJ2306E	0.035	
	50.5	7	11.5	1.5	HJ406	0.08	
35	47.6	4	8	0.6	HJ207	0.03	
	48	4	7	0.6	HJ207E	0.027	
	47.6	4	8.5	0.6	HJ2207	0.031	
	48	4	8.5	0.6	HJ2207E	0.031	
	50.8	6	11	1.1	HJ307	0.056	
	51	6	9.5	1.1	HJ307E	0.048	
	50.8	6	14	1.1	HJ2307	0.064	
	51	6	11	1.1	HJ2307E	0.055	
	59	8	13	1.5	HJ407	0.12	

	Dimensions					Bearing numbers	Mass kg (approx.)
	d	d ₁	B ₁	B ₂	r _{1s min} ^①		
40	54.2	5	9	1.1	HJ208	0.046	
	53.9	5	8.5	1.1	HJ208E	0.042	
	54.2	5	9.5	1.1	HJ2208	0.047	
	53.9	5	9	1.1	HJ2208E	0.045	
	58.4	7	12.5	1.5	HJ308	0.083	
	57.6	7	11	1.5	HJ308E	0.07	
	58.4	7	14.5	1.5	HJ2308	0.09	
	57.6	7	12.5	1.5	HJ2308E	0.08	
	64.8	8	13	2	HJ408	0.14	
45	59	5	9.5	1.1	* HJ209	0.053	
	58.9	5	8.5	1.1	HJ209E	0.047	
	58.9	5	9	1.1	HJ2209E	0.05	
	64	7	12.5	1.5	HJ309	0.099	
	64.5	7	11.5	1.5	HJ309E	0.093	
	64	7	15	1.5	HJ2309	0.109	
	64.5	7	13	1.5	HJ2309E	0.103	
	71.8	8	13.5	2	HJ409	0.175	
50	64.6	5	10	1.1	HJ210	0.063	
	63.9	5	9	1.1	* HJ210E	0.055	
	64.6	5	9.5	1.1	HJ2210	0.061	
	71	8	14	2	HJ310	0.142	
	71.4	8	13	2	HJ310E	0.134	
	71	8	17	2	HJ2310	0.157	
	71.4	8	14.5	2	HJ2310E	0.15	
	78.8	9	14.5	2.1	HJ410	0.23	
55	70.8	6	11	1.1	* HJ211	0.084	
	70.8	6	9.5	1.1	HJ211E	0.072	
	70.8	6	10	1.1	HJ2211E	0.076	
	77.2	9	15	2	HJ311	0.182	
	77.7	9	14	2	HJ311E	0.168	
	77.2	9	18.5	2	HJ2311	0.203	
	77.7	9	15.5	2	HJ2311E	0.185	
	85.2	10	16.5	2.1	HJ411	0.29	
60	78.4	6	11	1.5	* HJ212	0.108	
	77.6	6	10	1.5	* HJ212E	0.094	

① Maximum allowable dimension for chamfer dimension *r*. Note: 1. This L type collar ring is used with **NU** type cylindrical roller bearings; in duplex arrangements with **NJ** or **NU** type bearing numbers, they become **NH** type and **NUJ** type respectively. For bearing dimensions, allowable rotations, and mass, please refer to pages **B-94** to **B-99**. 2. "*" indicates L type collar rings that can also be used with dimension series **22** bearings.



NH = NJ + HJ

NUJ = NU + HJ

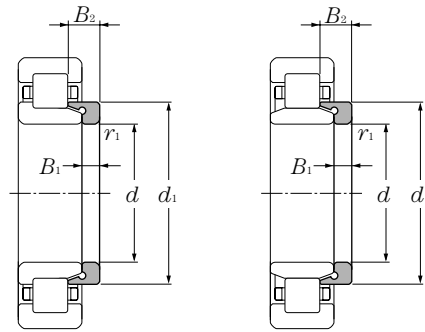
d 60 ~ 105mm

	Dimensions				Bearing numbers	Mass
	mm					
d	d_1	B_1	B_2	$r_{1s \min}$ ①		(approx.)
60	84.2	9	15.5	2.1	HJ312	0.22
	84.6	9	14.5	2.1	HJ312E	0.205
	84.2	9	19	2.1	HJ2312	0.245
	84.6	9	16	2.1	HJ2312E	0.23
	91.8	10	16.5	2.1	HJ412	0.34
65	84.8	6	11	1.5	HJ213	0.123
	84.5	6	10	1.5	HJ213E	0.111
	84.8	6	11.5	1.5	HJ2213	0.126
	84.5	6	10.5	1.5	HJ2213E	0.118
	91	10	17	2.1	HJ313	0.28
	91	10	15.5	2.1	HJ313E	0.25
	91	10	20	2.1	HJ2313	0.304
	91	10	18	2.1	HJ2313E	0.29
70	98.5	11	18	2.1	HJ413	0.42
	89.6	7	12.5	1.5	* HJ214	0.15
	89.5	7	11	1.5	HJ214E	0.13
	89.5	7	11.5	1.5	HJ2214E	0.138
	98	10	17.5	2.1	HJ314	0.33
	98	10	15.5	2.1	HJ314E	0.293
	98	10	20.5	2.1	HJ2314	0.358
	98	10	18.5	2.1	HJ2314E	0.35
75	110.5	12	20	3	HJ414	0.605
	94	7	12.5	1.5	* HJ215	0.156
	94.5	7	11	1.5	HJ215E	0.141
	94.5	7	11.5	1.5	HJ2215E	0.164
	104.2	11	18.5	2.1	HJ315	0.4
	104.6	11	16.5	2.1	HJ315E	0.35
	104.2	11	21.5	2.1	HJ2315	0.432
	104.6	11	19.5	2.1	HJ2315E	0.41
80	116.0	13	21.5	3	HJ415	0.71
	101.2	8	13.5	2	* HJ216	0.207
	101.7	8	12.5	2	* HJ216E	0.193
	111.8	11	19.5	2.1	HJ316	0.47
	111	11	17	2.1	HJ316E	0.405

	Dimensions				Bearing numbers	Mass
	mm					
d	d_1	B_1	B_2	$r_{1s \min}$ ①		(approx.)
80	111	11	20	2.1	HJ2316E	0.45
	122	13	22	3	HJ416	0.78
85	108.2	8	14	2	* HJ217	0.25
	107.7	8	12.5	2	HJ217E	0.21
	107.7	8	13	2	HJ2217E	0.216
	117.5	12	20.5	3	HJ317	0.56
	118.4	12	18.5	3	HJ317E	0.505
	117.5	12	24	3	HJ2317	0.606
90	118.4	12	22	3	HJ2317E	0.55
	114.2	9	15	2	HJ218	0.305
	114.6	9	14	2	HJ218E	0.272
	114.2	9	16	2	HJ2218	0.315
	114.6	9	15	2	HJ2218E	0.308
	125	12	21	3	HJ318	0.63
	124.7	12	18.5	3	HJ318E	0.548
	125	12	26	3	HJ2318	0.704
95	124.7	12	22	3	HJ2318E	0.69
	121	9	15.5	2.1	HJ219	0.352
	121	9	14.0	2.1	HJ219E	0.304
	121	9	16.5	2.1	HJ2219	0.363
	121	9	15.5	2.1	HJ2219E	0.335
	132	13	22.5	3	HJ319	0.76
	132.7	13	20.5	3	HJ319E	0.7
	132	13	26.5	3	HJ2319	0.826
100	132.7	13	24.5	3	HJ2319E	0.8
	128	10	17	2.1	HJ220	0.444
	128	10	15	2.1	HJ220E	0.38
	128	10	18	2.1	HJ2220	0.456
	128	10	16	2.1	HJ2220E	0.385
	140.5	13	22.5	3	HJ320	0.895
	140.3	13	20.5	3	HJ320E	0.8
	140.5	13	27.5	3	HJ2320	0.986
105	140.3	13	23.5	3	HJ2320E	0.92
	135.0	10	17.5	2.1	HJ221	0.505

① Maximum allowable dimension for chamfer dimension r . Note: 1. This L type collar ring is used with NU type cylindrical roller bearings; in duplex arrangements with NJ or NU type bearing numbers, they become NH type and NUJ type respectively. For bearing dimensions, allowable rotations, and mass, please refer to pages B-98 to B-103. 2. "*" indicates L type collar rings that can also be used with dimension series 22 bearings.

L type collar ring



$$NH = NJ + HJ$$

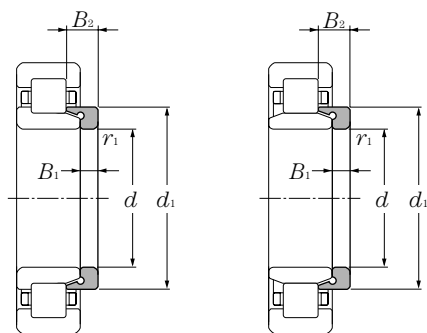
$$NUJ = NU + HJ$$

d 105 ~ 200mm

	Dimensions					Bearing numbers	Mass kg (approx.)
	mm						
	d	d ₁	B ₁	B ₂	r _{1s min} ^①		
105	147.0	13	22.5	3		HJ321	0.97
110	141.5	11	18.5	2.1		HJ222	0.615
	142.1	11	17	2.1		HJ222E	0.553
	141.5	11	20.5	2.1		HJ2222	0.645
	142.1	11	19.5	2.1		HJ2222E	0.605
	155.5	14	23	3		HJ322	1.17
	156.6	14	22	3		HJ322E	1.09
	155.5	14	28	3		HJ2322	1.28
	156.6	14	26.5	3		HJ2322E	1.25
120	153	11	19	2.1		HJ224	0.715
	153.9	11	17	2.1		HJ224E	0.634
	153	11	22	2.1		HJ224	0.767
	153.9	11	20	2.1		HJ224E	0.705
	168.5	14	23.5	3		HJ324	1.4
	169.2	14	22.5	3		HJ324E	1.28
	168.5	14	28	3		HJ2324	1.53
	169.2	14	26	3		HJ2324E	1.42
130	165.5	11	19	3		HJ226	0.84
	164.7	11	17	3		HJ226E	0.684
	165.5	11	25	3		HJ226	0.953
	164.7	11	21	3		HJ226E	0.831
	182	14	24	4		HJ326	1.62
	183	14	23	4		HJ326E	1.53
	182	14	29.5	4		HJ2326	1.8
	183	14	28	4		HJ2326E	1.75
140	179.5	11	19	3		HJ228	1
	180.2	11	18	3		HJ228E	0.929
	179.5	11	25	3		HJ228	1.14
	180.2	11	23	3		HJ228E	1.11
	196	15	26	4		HJ328	1.93
	196.8	15	25	4		HJ328E	1.91
	196	15	33.5	4		HJ2328	2.21
	196.8	15	31	4		HJ2328E	2.3
150	193	12	20.5	3		HJ230	1.24

	Dimensions					Bearing numbers	Mass kg (approx.)
	mm						
	d	d ₁	B ₁	B ₂	r _{1s min} ^①		
150	194	12	19.5	3		HJ230E	1.18
	193	12	26.5	3		HJ2230	1.39
	194	12	24.5	3		HJ2230E	1.42
	210	15	26.5	4		HJ330	2.37
	211	15	25	4		HJ330E	2.25
	210	15	34	4		HJ2330	2.69
	211	15	31.5	4		HJ2330E	2.6
	160	207	12	21	3		HJ232
207.8		12	20	3		HJ232E	1.34
207		12	28	3		HJ2232	1.69
206.6		12	24.5	3		HJ2232E	1.61
225		15	28	4		HJ332	2.75
223.2		15	25	4		HJ332E	2.4
225		15	37	4		HJ2332	3.16
223.2		15	32	4		HJ2332E	2.85
170	220.5	12	22	4		HJ234	1.7
	221.4	12	20	4		HJ234E	1.51
	220.5	12	29	4		HJ2234	1.93
	220.2	12	24	4		HJ2234E	1.82
	238	16	29.5	4		HJ334	3.25
	238	16	38.5	4		HJ2334	3.71
180	230.5	12	22	4		HJ236	1.8
	231.4	12	20	4		HJ236E	1.7
	230.5	12	29	4		HJ2236	2.04
	230.2	12	24	4		HJ2236E	1.91
	252	17	30.5	4		HJ336	3.85
	252	17	40	4		HJ2336	4.42
190	244.5	13	23.5	4		HJ238	2.2
	245.2	13	21.5	4		HJ238E	1.94
	244.5	13	31.5	4		HJ2238	2.52
	244	13	26.5	4		HJ2238E	2.38
	265	18	32	5		HJ338	4.45
	265	18	41.5	5		HJ2338	5.05
200	258	14	25	4		HJ240	2.6

① Maximum allowable dimension for chamfer dimension r. Note: 1. This L type collar ring is used with NU type cylindrical roller bearings; in duplex arrangements with NJ or NU type bearing numbers, they become NH type and NUJ type respectively. For bearing dimensions, allowable rotations, and mass, please refer to pages B-102 to B-109. 2. "*" indicates L type collar rings that can also be used with dimension series 22 bearings.



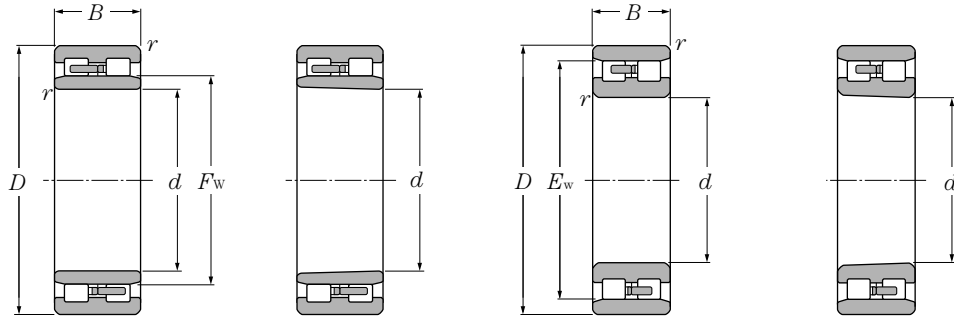
NH = NJ + HJ

NUJ = NU + HJ

d 200 ~ 320mm

	Dimensions				Bearing numbers	Mass
	mm					
<i>d</i>	<i>d</i> ₁	<i>B</i> ₁	<i>B</i> ₂	<i>r</i> _{1s min} ^①		(approx.)
200	259	14	23	4	HJ240E	2.35
	258	14	34	4	HJ2240	2.99
	257.8	14	28	4	HJ2240E	2.86
	280	18	33	5	HJ340	5
	280	18	44.5	5	HJ2340	5.76
220	286	15	27.5	4	HJ244	3.55
	307	20	36	5	HJ344	7.05
240	313	16	29.5	4	HJ248	4.65
	335	22	39.5	5	HJ348	8.2
260	340	18	33	5	HJ252	6.2
	362	24	43	6	HJ352	11.4
280	360	18	33	5	HJ256	7.39
	390	26	46	6	HJ356	13.9
300	387	20	34.5	5	HJ260	9.14
320	415	21	37	5	HJ264	11.3

① Maximum allowable dimension for chamfer dimension *r*. Note: 1. This L type collar ring is used with **NU** type cylindrical roller bearings; in duplex arrangements with **NJ** or **NU** type bearing numbers, they become **NH** type and **NUJ** type respectively. For bearing dimensions, allowable rotations, and mass, please refer to pages **B-108** to **B-109**. 2. "*" indicates L type collar rings that can also be used with dimension series **22** bearings.



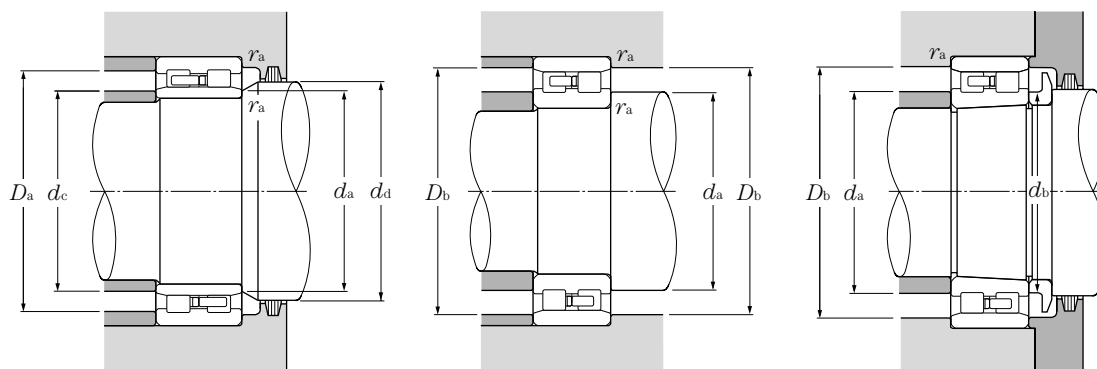
Type NNU
 Cylindrical bore Tapered bore taper 1:12

Type NN
 Cylindrical bore Tapered bore taper 1:12

d 25 ~ 110mm

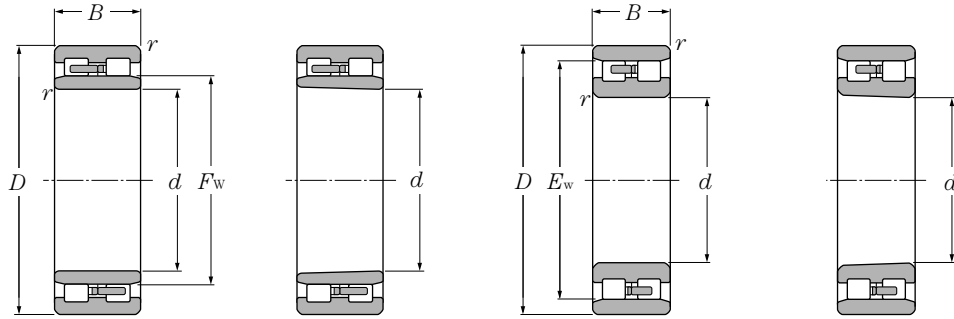
d	Boundary dimensions			Basic load ratings				Limiting speeds		Bearing	
	mm			dynamic	static	dynamic	static	rpm		type NNU	
	D	B	$r_{s\ min}^{②}$	C_r kN	C_{or}	C_r kgf	C_{or}	grease	oil	cylindrical bore	tapered bore ^①
25	47	16	0.6	25.8	30.0	2,630	3,050	14,000	17,000		
30	55	19	1	31.0	37.0	3,150	3,800	12,000	15,000		
35	62	20	1	38.0	47.5	3,850	4,850	11,000	13,000		
40	68	21	1	43.5	55.5	4,400	5,650	9,700	11,000		
45	75	23	1	52.0	68.5	5,300	7,000	8,800	10,000		
50	80	23	1	53.0	72.5	5,400	7,400	8,000	9,400		
55	90	26	1.1	69.5	96.5	7,050	9,850	7,300	8,600		
60	95	26	1.1	71.0	102	7,250	10,400	6,700	7,900		
65	100	26	1.1	75.0	111	7,650	11,400	6,200	7,300		
70	110	30	1.1	94.5	143	9,650	14,600	5,800	6,800		
75	115	30	1.1	96.5	149	9,850	15,200	5,400	6,300		
80	125	34	1.1	116	179	11,800	18,200	5,100	5,900		
85	130	34	1.1	122	194	12,400	19,800	4,800	5,600		
90	140	37	1.5	143	228	14,600	23,200	4,500	5,300		
95	145	37	1.5	146	238	14,900	24,200	4,300	5,000		
100	140	40	1.1	131	260	13,300	26,500	4,300	5,100	NNU4920	NNU4920K
	150	37	1.5	153	256	15,600	26,100	4,000	4,800		
105	145	40	1.1	133	268	13,500	27,400	4,100	4,800	NNU4921	NNU4921K
	160	41	2	198	320	20,200	33,000	3,800	4,500		
110	150	40	1.1	137	284	14,000	28,900	3,900	4,600	NNU4922	NNU4922K
	170	45	2	229	375	23,300	38,000	3,600	4,300		

① "K" indicates bearings have tapered bore with a taper ratio of 1: 12. ② Smallest allowable dimension for chamfer dimension r .



Equivalent bearing load
dynamic
 $P_r = F_r$
static
 $P_{Or} = F_r$

numbers		Dimensions		Abutment and fillet dimensions							Mass (approx.)				
type NN		mm		mm							kg				
cylindrical bore	tapered bore ¹	F_w	E_w	d_a min	d_b min	d_c max	d_d min	D_a max	D_b max	D_b min	r_{as} max	type NNU cylindrical bore	tapered bore	type NN cylindrical bore	tapered bore
NN3005	NN3005K	41.3	29	30					43	42	0.6			0.124	0.121
NN3006	NN3006K	48.5	35	36.5					50	49	1			0.199	0.193
NN3007	NN3007K	55	40	41.5					57	56	1			0.242	0.235
NN3008	NN3008K	61	45	47					63	62	1			0.312	0.303
NN3009	NN3009K	67.5	50	52					70	69	1			0.405	0.393
NN3010	NN3010K	72.5	55	57					75	74	1			0.433	0.419
NN3011	NN3011K	81	61.5	63.5					83.5	82	1			0.651	0.631
NN3012	NN3012K	86.1	66.5	68.5					88.5	87	1			0.704	0.683
NN3013	NN3013K	91	71.5	73.5					93.5	92	1			0.758	0.735
NN3014	NN3014K	100	76.5	79					103.5	101	1			1.04	1.01
NN3015	NN3015K	105	81.5	84					108.5	106	1			1.14	1.11
NN3016	NN3016K	113	86.5	89.5					118.5	114	1			1.52	1.47
NN3017	NN3017K	118	91.5	94.5					123.5	119	1			1.61	1.56
NN3018	NN3018K	127	98	101					132	129	1.5			2.07	2.01
NN3019	NN3019K	132	103	106					137	134	1.5			2.17	2.1
NN4920	NN4920K	113	129	106.5	110	111	115	133.5	133.5	131	1	1.83	1.75	1.75	1.67
NN3020	NN3020K		137	108	111				142	139	1.5			2.26	2.19
NN4921	NN4921K	118	134	111.5	115	116	120	138.5	138.5	136	1	1.91	1.82	1.82	1.73
NN3021	NN3021K		146	114	117				151	148	2			2.89	2.8
NN4922	NN4922K	123	139	116.5	120	121	125	143.5	143.5	141	1	1.99	1.9	1.9	1.81
NN3022	NN3022K		155	119	123				161	157	2			3.69	3.56

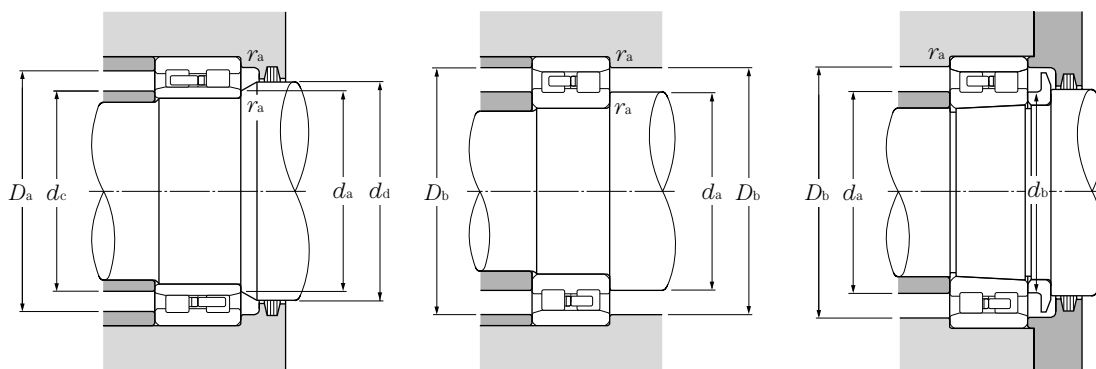


Type NNU
Type NN
Cylindrical bore
Tapered bore
Cylindrical bore
Tapered bore
taper 1:12
taper 1:12

d 120 ~ 280mm

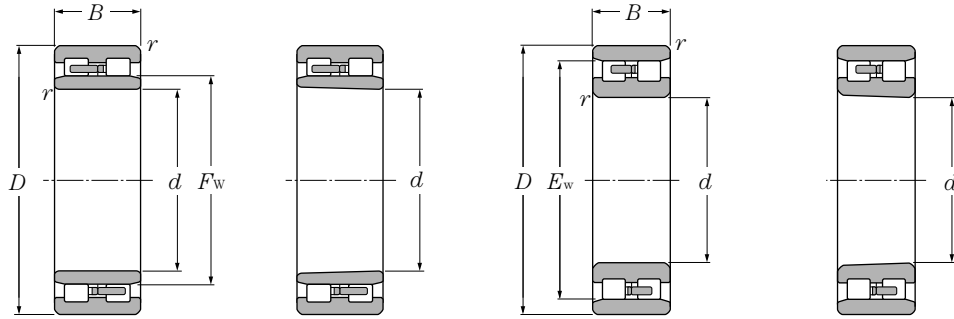
d	Boundary dimensions			Basic load ratings				Limiting speeds		Bearing	
	mm			dynamic	static	dynamic	static	rpm		type NNU	
	D	B	r _{s min} ②	C _r	C _{or}	C _r	C _{or}	grease	oil	cylindrical bore	tapered bore ①
120	165	45	1.1	183	360	18,700	37,000	3,600	4,200	NNU4924	NNU4924K
	180	46	2	233	390	23,700	40,000	3,300	3,900		
130	180	50	1.5	220	440	22,400	45,000	3,300	3,900	NNU4926	NNU4926K
	200	52	2	284	475	29,000	48,500	3,100	3,600		
140	190	50	1.5	227	470	23,100	48,000	3,000	3,600	NNU4928	NNU4928K
	210	53	2	298	515	30,500	52,500	2,800	3,300		
150	210	60	2	345	690	35,000	70,500	2,800	3,300	NNU4930	NNU4930K
	225	56	2.1	335	585	34,000	60,000	2,600	3,100		
160	220	60	2	355	740	36,500	75,500	2,600	3,100	NNU4932	NNU4932K
	240	60	2.1	375	660	38,000	67,500	2,500	2,900		
170	230	60	2	360	765	37,000	78,000	2,500	2,900	NNU4934	NNU4934K
	260	67	2.1	440	775	45,000	79,000	2,300	2,700		
180	250	69	2	460	965	46,500	98,500	2,300	2,700	NNU4936	NNU4936K
	280	74	2.1	565	995	57,500	102,000	2,200	2,600		
190	260	69	2	475	1,030	48,500	105,000	2,200	2,600	NNU4938	NNU4938K
	290	75	2.1	580	1,040	59,000	106,000	2,000	2,400		
200	280	80	2.1	555	1,180	56,500	120,000	2,100	2,400	NNU4940	NNU4940K
	310	82	2.1	655	1,170	66,500	119,000	1,900	2,300		
220	300	80	2.1	585	1,300	59,500	132,000	1,900	2,200	NNU4944	NNU4944K
	340	90	3	815	1,480	83,000	151,000	1,700	2,100		
240	320	80	2.1	610	1,410	62,500	144,000	1,700	2,000	NNU4948	NNU4948K
	360	92	3	855	1,600	87,000	163,000	1,600	1,900		
260	360	100	2.1	900	2,070	92,000	211,000	1,600	1,800	NNU4952	NNU4952K
	400	104	4	1,060	1,990	108,000	203,000	1,500	1,700		
280	380	100	2.1	925	2,200	94,500	224,000	1,400	1,700	NNU4956	NNU4956K
	420	106	4	1,080	2,080	110,000	212,000	1,300	1,600		

① "K" indicates bearings have tapered bore with a taper ratio of 1: 12. ② Smallest allowable dimension for chamfer dimension r.



Equivalent bearing load
dynamic
 $P_r = F_r$
static
 $P_{Or} = F_r$

numbers		Dimensions		Abutment and fillet dimensions							Mass (approx.)				
type NN		mm		mm							kg				
cylindrical bore	tapered bore	F_w	E_w	d_a min	d_b min	d_c max	d_d min	D_a max	D_b max	D_b min	r_{as} max	type NNU cylindrical bore	type NNU tapered bore	type NN cylindrical bore	type NN tapered bore
NN4924	NN4924K	134.5	154.5	126.5	130	133	137	158.5	158.5	156.5	1	2.75	2.63	2.63	2.51
NN3024	NN3024K		165	129	133				171	167	2			3.98	3.83
NN4926	NN4926K	146	168	138	142	144	148	172	172	170	1.5	3.69	3.52	3.52	3.35
NN3026	NN3026K		182	139	143				191	183	2			5.92	5.71
NN4928	NN4928K	156	178	148	152	154	158	182	182	180	1.5	3.94	3.76	3.76	3.58
NN3028	NN3028K		192	149	153				201	194	2			6.44	6.21
NN4930	NN4930K	168.5	196.5	159	164	166	171	201	201	198.5	2	6.18	5.9	5.9	5.62
NN3030	NN3030K		206	161	166				214	208	2			7.81	7.53
NN4932	NN4932K	178.5	206.5	169	174	176	182	211	211	208.5	2	6.53	6.23	6.24	5.94
NN3032	NN3032K		219	171	176				229	221	2			8.92	8.59
NN4934	NN4934K	188.5	216.5	179	184	186	192	221	221	218.5	2	6.87	6.55	6.56	6.24
NN3034	NN3034K		236	181	187				249	238	2			12.6	12.2
NN4936	NN4936K	202	234	189	195	199	205	241	241	236	2	9.9	9.46	9.45	9.01
NN3036	NN3036K		255	191	197				269	257	2			16.6	16
NN4938	NN4938K	212	244	199	205	209	215	251	251	246	2	10.4	9.94	9.93	9.47
NN3038	NN3038K		265	201	207				279	267	2			18	17.4
NN4940	NN4940K	225	261	211	218	222	228	269	269	264	2	14.7	14	14	13.3
NN3040	NN3040K		282	211	218				299	285	2			21.6	20.8
NN4944	NN4944K	245	281	231	238	242	248	289	289	284	2	15.9	15.2	15.2	14.5
NN3044	NN3044K		310	233	240				327	313	2.5			29.3	28.2
NN4948	NN4948K	265	301	251	258	262	269	309	309	304	2	17.2	16.4	16.4	15.6
NN3048	NN3048K		330	253	261				347	333	2.5			32.8	31.6
NN4952	NN4952K	292	336	271	279	288	296	349	349	339	2	29.6	28.3	28.3	27
NN3052	NN3052K		364	276	285				384	367	3			47.4	45.8
NN4956	NN4956K	312	356	291	299	308	316	369	369	359	2	31.6	30.2	30.2	28.8
NN3056	NN3056K		384	296	305				404	387	3			51.1	49.3



Type NNU
Type NN
Cylindrical bore
Tapered bore
Cylindrical bore
Tapered bore
taper 1:12
taper 1:12

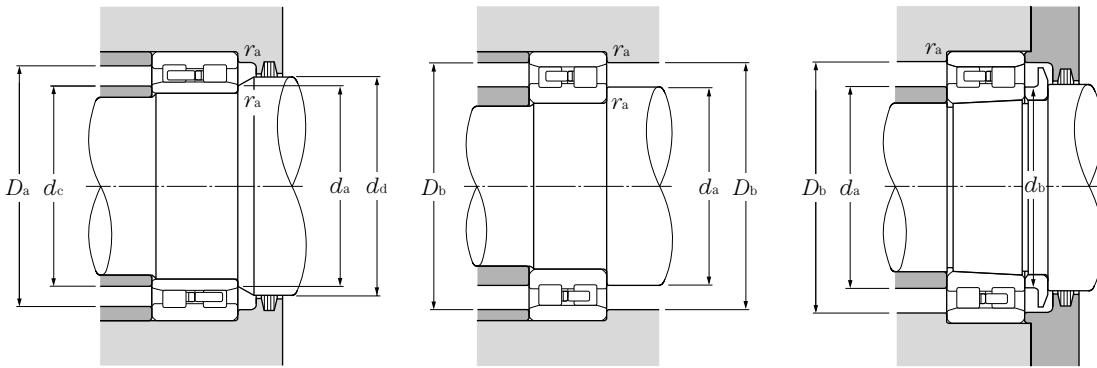
d 300 ~ 500mm

d	Boundary dimensions			Basic load ratings				Limiting speeds		Bearing	
	mm			dynamic	static	dynamic	static	rpm		type NNU	
	D	B	$r_{s\ min}^{\text{②}}$	C_r	C_{or}	C_r	C_{or}	grease	oil	cylindrical bore	tapered bore ^①
300	420	118	3	1,200	2,800	122,000	285,000	1,300	1,500	NNU4960	NNU4960K
	460	118	4	1,330	2,560	135,000	261,000	1,200	1,500		
320	440	118	3	1,240	2,970	126,000	305,000	1,200	1,400	NNU4964	NNU4964K
	480	121	4	1,350	2,670	138,000	272,000	1,100	1,300		
340	460	118	3	1,280	3,150	131,000	320,000	1,100	1,300	NNU4968	NNU4968K
	520	133	5	1,620	3,200	165,000	325,000	1,100	1,300		
360	480	118	3	1,290	3,250	131,000	330,000	1,100	1,300	NNU4972	NNU4972K
	540	134	5	1,650	3,300	169,000	340,000	1,000	1,200		
380	520	140	4	1,630	4,050	167,000	415,000	1,000	1,200	NNU4976	NNU4976K
	560	135	5	1,690	3,450	172,000	355,000	940	1,100		
400	540	140	4	1,690	4,300	172,000	435,000	940	1,100	NNU4980	NNU4980K
	600	148	5	2,040	4,150	208,000	420,000	880	1,000		
420	560	140	4	1,740	4,500	177,000	460,000	900	1,100	NNU4984	NNU4984K
	620	150	5	2,080	4,300	212,000	440,000	840	990		
440	600	160	4	2,150	5,550	219,000	565,000	850	1,000	NNU4988	NNU4988K
	650	157	6	2,420	5,100	247,000	520,000	800	940		
460	620	160	4	2,220	5,850	226,000	595,000	800	950	NNU4992	NNU4992K
	680	163	6	2,550	5,350	260,000	545,000	750	890		
480	650	170	5	2,280	5,900	233,000	600,000	770	910	NNU4996	NNU4996K
500	670	170	5	2,360	6,200	240,000	635,000	730	860	NNU49/500	NNU49/500K

① "K" indicates bearings have tapered bore with a taper ratio of 1: 12. ② Smallest allowable dimension for chamfer dimension r.

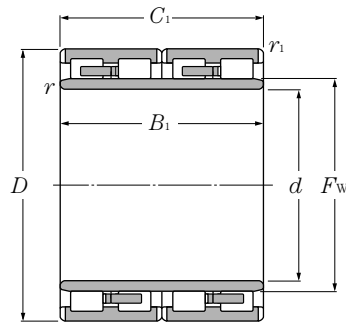
Multi-Row Cylindrical Roller Bearings

NTN



Equivalent bearing load
dynamic
 $P_r = F_r$
static
 $P_{Or} = F_r$

numbers		Dimensions		Abutment and fillet dimensions							Mass (approx.)				
type NN cylindrical bore	tapered ¹ bore	mm		mm							kg				
		F_w	E_w	d_a min	d_b min	d_c max	d_d min	D_a max	D_b		r_{as} max	type NNU cylindrical bore	tapered bore	type NN cylindrical bore	tapered bore
NN4960	NN4960K	339	391	313	323	335	343	407	407	394	2.5	48.6	46.4	46.4	44.2
NN3060	NN3060K		418	316	326				444	421	3			70.8	68.6
NN4964	NN4964K	359	411	333	343	355	363	427	427	414	2.5	51.4	49.1	49	46.7
NN3064	NN3064K		438	336	346				464	441	3			76.2	73.5
NN3068	NN3068K	379		353	363	375	383	447			2.5	54.2	51.7		
			473	360	371				500	477	4			102	98.5
NN3072	NN3072K	398		373	383	394	402	467			2.5	57	54.4		
			493	380	391				520	497	4			107	103
NN3076	NN3076K	425		396	408	420	430	504			3	84.5	80.6		
			512	400	411				540	516	4			113	109
NN3080	NN3080K	445		416	428	440	450	524			3	88.2	84.1		
			547	420	432				580	551	4			146	141
NN3084	NN3084K	465		436	448	460	470	544			3	92	87.7		
			567	440	452				600	571	4			154	148
NN3088	NN3088K	492		456	469	487	497	584			3	127	121		
			596	464	477				626	601	5			178	172
NN3092	NN3092K	512		476	489	507	517	604			3	132	126		
			622	484	498				656	627	5			202	195
		534		500	514	531	541	630			4	156	149		
		556		520	534	551	561	650			4	162	155		



Drawing 1

d 120 ~ 200mm

d	Boundary dimensions					Basic load ratings			
	D	B ₁	C ₁	r _{s min} ①	r _{1s min} ②	dynamic C _r kN	static C _{or} kgf	dynamic C _r kgf	static C _{or} kgf
120	180	92	92	2.5	2.5	400	785	40,500	80,000
	180	105	105	2.5	2.5	445	855	45,500	87,000
130	200	104	104	2.5	2.5	490	955	49,500	97,000
140	210	116	116	2.5	2.5	510	1,030	52,000	105,000
145	210	155	155	2.5	2.5	705	1,640	71,500	168,000
	225	156	156	2.5	2.5	810	1,750	82,500	178,000
150	220	150	150	2.5	2.5	750	1,640	76,500	168,000
	230	130	130	2.5	2.5	725	1,520	73,500	155,000
	230	156	156	2.5	2.5	930	2,040	95,000	208,000
	250	150	150	2.5	2.5	885	1,640	90,500	167,000
160	220	180	180	2.5	2.5	920	2,490	93,500	254,000
	230	130	130	2.5	2.5	665	1,340	68,000	136,000
	230	168	168	2.5	2.5	915	2,170	93,500	222,000
	240	170	170	2	2.5	980	2,290	100,000	234,000
170	230	120	120	2.5	2.5	620	1,520	63,000	155,000
	240	156	156	2.5	2.5	905	2,170	92,500	222,000
	240	160	160	2.5	2.5	905	2,180	92,000	222,000
	250	168	168	2.5	2.5	970	2,220	99,000	226,000
	255	180	180	2.5	2.5	1,100	2,430	112,000	247,000
	260	150	150	2.5	2.5	835	1,750	85,000	179,000
	260	225	225	2.5	2.5	1,310	3,150	134,000	320,000
180	250	156	156	2.5	2.5	895	2,180	91,500	223,000
	260	168	168	2.5	2.5	1,020	2,400	104,000	244,000
	265	180	180	2.5	2.5	1,090	2,510	111,000	256,000
190	260	168	168	2.5	2.5	980	2,600	100,000	265,000
	270	170	170	2.5	2.5	1,090	2,660	111,000	272,000
	270	200	200	2.5	2.5	1,260	3,100	128,000	315,000
	280	200	200	2.5	2.5	1,240	2,910	126,000	297,000
200	270	170	170	2.5	2.5	970	2,610	99,000	266,000
	280	190	190	2.5	2.5	1,190	3,150	121,000	320,000
	280	200	200	2.5	2.5	1,310	3,300	134,000	335,000

① Minimal allowable dimension for chamfer dimension r or r_1 . ② Oil groove and oil inlet are in center of outer ring.

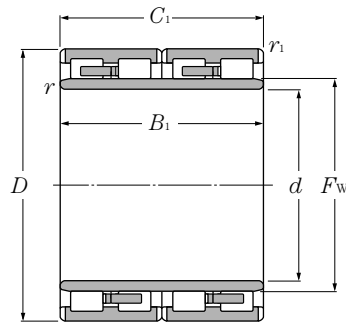
Bearing numbers	Dimensions F_w	Drawing no.	Mass
			kg (approx.)
4R2437	137	1	8.2
4R2438	135	1	9.3
4R2628	150	1	12.1
4R2823	160	1	13.9
4R2906	166	1	18
4R2908	169	1	23.4
4R3031	168	1	19.4
4R3029	174	1	20
4R3040	174	1	24.5
4R3039	177	1	29.6
4R3224	177	1	20.2
4R3226	180	1	16.6
4R3232	179	1	23.4
4R3225	183	1	27.8
4R3426	187	1	14.2
4R3429	189	1	22.2
4R3423	190	1	22.8
4R3432	193	1	28.2
4R3425	193	1	19.3
4R3433	192	1	29.5
4R3431	196	1	44
4R3625	200	1	23.2
4R3628	202	1	29.4
4R3618	204	1	34.2
4R3820	212	1	26.9
4R3818	213	1	31.7
4R3821	212	1	37.5
4R3823	214	1 ^o	41.5
4R4039	222	1	28.5
4R4026	223	1	36.7
4R4037	222	1	40.5

Note: **Drawing 1** represents a bearing with solid rollers and machined cage.

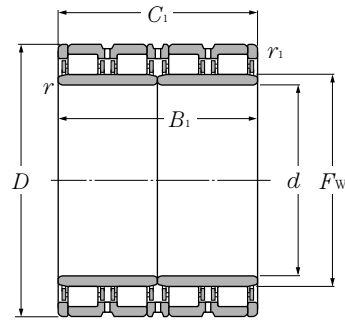


Four-Row Cylindrical Roller Bearings

NTN



Drawing 1



Drawing 2

d 200 ~ 300mm

d	Boundary dimensions					Basic load ratings			
	D	B ₁	C ₁	r _{s min} ❶	r _{1s min} ❶	dynamic C _r kN	static C _{or}	dynamic C _r	static C _{or} kgf
200	290	192	192	2.5	2.5	1,290	3,150	132,000	320,000
	320	216	216	3	3	1,750	3,650	179,000	375,000
210	290	192	192	2.5	2.5	1,230	3,350	126,000	340,000
220	290	192	192	2.5	2.5	1,190	3,350	122,000	340,000
	300	160	160	2.5	2.5	1,000	2,590	102,000	264,000
	310	192	192	2.5	2.5	1,390	3,400	141,000	350,000
	310	204	204	2.5	2.5	1,420	3,750	144,000	385,000
	310	215	215	2.5	2.5	1,530	3,750	156,000	380,000
	310	225	225	2.5	2.5	1,480	3,950	151,000	405,000
	310	265	265	2.5	2.5	1,630	4,500	167,000	460,000
	320	160	160	3	3	1,190	2,550	121,000	260,000
320	210	210	2.5	2.5	1,550	3,650	158,000	370,000	
230	330	206	206	2.5	2.5	1,520	3,800	155,000	385,000
	340	260	260	3	3	2,050	5,100	209,000	520,000
240	330	220	220	3	3	1,490	4,150	152,000	420,000
	340	220	220	3	3	1,670	4,200	170,000	425,000
	360	220	220	2.5	2.5	1,760	4,050	179,000	415,000
250	350	220	220	3	3	1,730	4,300	176,000	440,000
260	370	220	220	3	3	1,760	4,450	179,000	455,000
	380	280	280	3	3	2,420	6,250	247,000	635,000
270	380	280	280	2.5	2.5	2,580	6,850	263,000	700,000
280	390	220	220	3	3	1,780	4,650	181,000	475,000
	390	275	275	2.5	2.5	2,290	6,250	233,000	635,000
	420	280	280	4	4	2,430	6,150	248,000	630,000
290	410	240	240	3	3	2,240	5,550	228,000	565,000
	420	300	300	3	3	2,830	7,500	288,000	765,000
300	400	300	300	3	3	2,480	7,500	253,000	765,000
	420	240	240	3	3	2,020	5,450	206,000	555,000
	420	300	300	3	3	2,720	7,600	278,000	775,000
	420	300	300	3	3	2,900	7,850	295,000	800,000

❶ Minimal allowable dimension for chamfer dimension r or r_1 . ❷ Oil groove and oil inlet are in center of outer ring.
❸ Oil groove and oil inlet not on outer ring spacer.

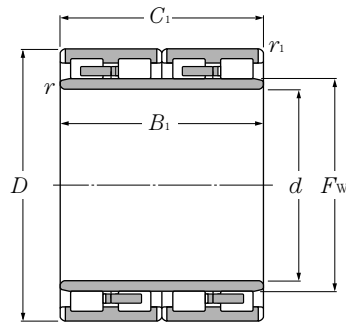
Bearing numbers	Dimensions F_w	Drawing no.	Mass
			kg (approx.)
4R4041	226	1	42.5
4R4028	231	1	67
4R4206	236	1	39.5
4R4413	239	1	33.8
4R4419	245	1	32.8
4R4426	246	1	46.9
4R4425	247	1	49.8
4R4420	242	1	51.5
4R4416	245	1	54.9
4R4430	245	1	63.5
4R4428	245	1	46.5
4R4429	248	1	60.5
4R4614	258	1	58.6
4R4611	261	1	82.6
4R4811	270	1 [°]	56.8
4R4806	268	1	63.6
4R4807	274	1	79.6
4R5008	278	1	66
4R5217	292	1	76.5
4R5213	294	1	109
4R5405	299.7	2 [°]	105
4R5611	312	1	81.3
4R5612	312	1	105
4R5605	323	1	139
4R5806	320	1	103
4R5805	327	1	141
E-4R6014	328	1	104
E-4R6017	334	1	106
E-4R6015	334	1	125
E-4R6020	332	2	130

Note: **Drawing 1** represents a bearing with solid rollers and machined cage; **Drawing 2** represents a bearing with hollow rollers and pin type cage.

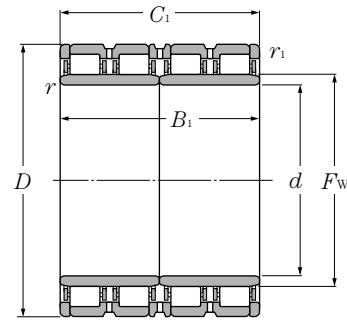


Four-Row Cylindrical Roller Bearings

NTN



Drawing 1



Drawing 2

d 300 ~ 460mm

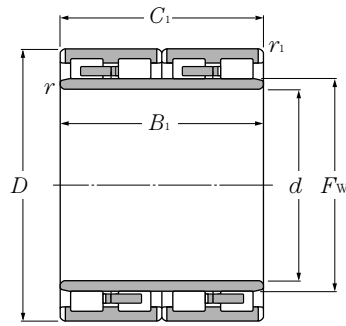
d	Boundary dimensions					Basic load ratings			
	D	B_1	C_1	$r_{s \min}$ ①	$r_{1s \min}$ ①	dynamic C_r	static C_{or}	dynamic C_r	static C_{or}
mm									
						kN		kgf	
300	420	320	300	3	3	2,900	7,850	295,000	800,000
	460	270	270	3	3	2,510	5,350	256,000	545,000
310	430	240	240	3	3	2,240	5,950	228,000	605,000
320	440	240	230	3	3	2,290	6,050	234,000	615,000
	450	240	240	3	3	2,370	6,150	242,000	630,000
	460	340	340	3	3	3,400	9,450	345,000	960,000
330	470	350	350	3	3	4,150	10,900	425,000	1,110,000
	440	200	200	3	3	1,820	4,850	186,000	495,000
340	460	340	340	4	4	3,250	8,850	330,000	905,000
	480	370	350	5	5	3,450	9,650	350,000	985,000
340	490	300	300	4	4	3,350	8,300	340,000	845,000
	360	510	400	400	5	5	4,250	11,500	435,000
370	480	230	230	5	5	2,100	6,250	214,000	635,000
	520	400	400	5	5	4,650	13,500	475,000	1,370,000
380	520	280	280	4	4	3,400	9,150	350,000	935,000
	520	300	300	4	4	3,550	9,600	360,000	980,000
	540	400	400	4	4	5,200	15,200	530,000	1,550,000
400	560	400	400	5	5	4,250	11,800	430,000	1,210,000
	560	410	410	4	4	5,750	17,000	585,000	1,730,000
410	546	400	400	5	5	4,200	12,700	430,000	1,290,000
420	560	280	280	4	4	3,150	8,750	320,000	895,000
	580	230	230	4	4	2,430	6,250	248,000	635,000
	620	400	400	5	5	5,000	13,400	510,000	1,360,000
440	620	450	450	5	5	6,450	18,700	660,000	1,910,000
460	620	400	400	4	4	5,350	16,700	545,000	1,700,000
	620	400	400	4	4	4,950	15,000	505,000	1,530,000
	650	470	470	5	5	7,150	20,600	730,000	2,100,000

① Minimal allowable dimension for chamfer dimension r or r_1 . ② Oil inlet and oil groove are in center of the outer ring; no oil groove on the side.
③ Oil inlet in space of outer ring; no oil groove. ④ One-piece inner ring.

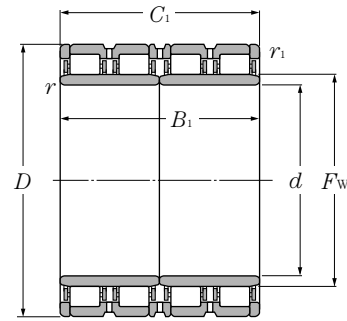
Bearing numbers	Dimensions F_w	Drawing no.	Mass
			kg (approx.)
E-4R6018	332	2	136
E-4R6019	344	1	162
E-4R6202	344.5	1	108
E-4R6414	351	1	106
E-4R6411	358	1	125
E-4R6412	360	1	178
E-4R6406	361.7	2	212
E-4R6603	360	1 [°]	83.6
E-4R6605	365	1	181
E-4R6811	378	1	198
E-4R6804	377	1	187
E-4R7203	397	1 [°]	262
E-4R7405	400	1	106
E-4R7404	409	1	273
E-4R7605	417	1	174
E-4R7607	416	2 [°]	210
E-4R7604	422	2 [°]	325
E-4R8007	446	1	303
E-4R8010	445	2	349
E-4R8201	444	1 [°]	256
E-4R8403	457	1	189
E-4R8404	466	1	181
E-4R8401	478	1	410
E-4R8801	487	2	437
E-4R9211	502	2 ^{°°}	383
E-4R9209	502	1	341
E-4R9216	509	2	540

Note: **Drawing 1** represents a bearing with solid rollers and machined cage; **Drawing 2** represents a bearing with hollow rollers and pin type cage.





Drawing 1



Drawing 2

d 480 ~ 690mm

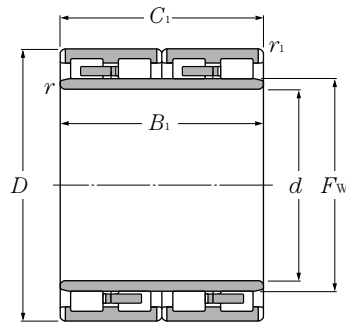
d	Boundary dimensions					Basic load ratings			
	D	B ₁	C ₁	r _{s min} ❶	r _{1s min} ❶	dynamic C _r	static C _{or}	dynamic C _r	static C _{or}
mm									
						kN		kgf	
480	650	420	420	5	5	5,950	18,100	605,000	1,840,000
	650	450	450	9.5X20 °	5	7,100	21,600	720,000	2,200,000
	680	500	500	6	6	7,950	24,000	810,000	2,450,000
500	680	420	405	5	5	7,100	22,900	725,000	2,340,000
	690	470	470	5	5	7,650	22,500	780,000	2,290,000
	690	510	510	5	5	7,750	24,600	790,000	2,500,000
	700	515	515	5	5	7,900	24,100	805,000	2,450,000
	710	480	480	6	6	8,650	24,700	880,000	2,520,000
510	670	320	320	5	5	4,550	13,500	465,000	1,380,000
	700	540	540	6	6	8,300	25,000	845,000	2,550,000
520	700	540	540	6	6	8,200	25,500	835,000	2,600,000
	735	535	535	5	5	9,000	26,600	915,000	2,710,000
530	700	540	540	6	6	7,850	25,400	800,000	2,590,000
	760	520	520	6	6	9,150	26,700	935,000	2,730,000
	780	570	570	6	6	10,300	29,100	1,050,000	2,970,000
550	800	520	520	6	6	9,450	27,000	965,000	2,750,000
560	680	360	360	3	3	4,650	16,500	475,000	1,680,000
570	815	594	594	6	6	11,800	34,500	1,200,000	3,500,000
600	820	575	575	12X20 °	6	10,000	31,500	1,020,000	3,200,000
	870	540	540	7.5	7.5	10,600	29,600	1,090,000	3,000,000
	870	640	640	7.5	7.5	13,600	40,500	1,390,000	4,150,000
610	870	660	660	9.5	7.5	12,600	40,000	1,280,000	4,100,000
650	920	670	670	7.5	4	14,600	46,000	1,490,000	4,700,000
	920	690	690	7.5	7.5	14,300	46,500	1,460,000	4,750,000
660	820	440	440	5	4	7,300	27,800	745,000	2,840,000
690	980	715	715	7.5	7.5	16,800	54,500	1,720,000	5,550,000

❶ Minimal allowable dimension for chamfer dimension r or r_1 . ❷ Oil inlet and oil groove are in center of the outer ring; no oil groove on the side.
 ❸ Oil inlet in space of outer ring; no oil groove.

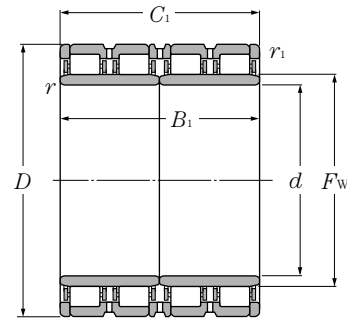
Bearing numbers	Dimensions	Drawing no.	Mass
			kg
	F_w		(approx.)
E-4R9607	523	2 ^o	369
E-4R9609	525	2 ^o	395
E-4R9604	532	2	640
E-4R10010	550	2 ^o	495
E-4R10016	547	2	590
E-4R10006	552	2	640
E-4R10011	554	2	680
E-4R10008	556	2	675
E-4R10015	568	2	780
E-4R10201	554	2 ^o	335
E-4R10202	558	2	689
E-4R10403	564	2	658
E-4R10402	574.5	2	740
E-4R10603	574	2	626
E-4R10601	590	2	800
E-4R10602	601	2	1 010
E-4R11001	622	2	965
E-4R11202	590	1	265
E-4R11402	628	2	1 040
E-4R12003	655	2	980
E-4R12002	672	2	1 150
E-4R12001	672	2	1 330
E-4R12202	680	2 ^o	1 400
E-4R13005	723	2	1 500
E-4R13003	723	2	1 550
E-4R13201	702	2	580
E-4R13802	767.5	2	1 850

① One-piece inner ring. Note: **Drawing 1** represents a bearing with solid rollers and machined cage; **Drawing 2** represents a bearing with hollow rollers and pin type cage.





Drawing 1



Drawing 2

d 700 ~ 1 200mm

d	Boundary dimensions					Basic load ratings					
	D	B ₁	C ₁	r _{s min} ❶	r _{1s min} ❶	d	F _w	dynamic	static	dynamic	static
mm											
kN											
kgf											
700	930	620	620	15X20 °	6	12,900	43,000	1,320,000	4,400,000		
710	1,000	715	715	9.5	6	16,800	54,500	1,710,000	5,550,000		
725	1,000	700	700	6	6	15,900	53,500	1,620,000	5,450,000		
750	1,050	745	720	7.5	7.5	17,600	58,000	1,790,000	5,900,000		
	1,090	745	720	7.5	7.5	19,100	60,500	1,950,000	6,150,000		
760	1,030	750	750	7.5	7.5	17,300	59,500	1,760,000	6,050,000		
	1,080	805	790	6	6	18,700	61,000	1,900,000	6,250,000		
	1,100	745	720	7.5	7.5	19,100	60,500	1,950,000	6,150,000		
800	1,080	700	700	7.5	7.5	16,500	55,000	1,680,000	5,600,000		
	1,080	750	750	6	6	17,300	59,000	1,760,000	6,000,000		
820	1,130	800	800	7.5	7.5	19,600	66,500	2,000,000	6,800,000		
	1,130	825	800	7.5	7.5	19,600	66,500	2,000,000	6,800,000		
	1,160	840	840	7.5	7.5	21,600	71,000	2,200,000	7,250,000		
840	1,160	840	840	5	7.5	21,600	71,000	2,200,000	7,250,000		
850	1,150	650	650	9.5	9.5	15,700	51,000	1,610,000	5,200,000		
	1,150	800	800	6	6	19,700	71,000	2,010,000	7,250,000		
	1,180	650	650	7.5	7.5	16,400	51,500	1,670,000	5,250,000		
	1,180	850	850	9.5	9.5	24,100	78,500	2,460,000	8,000,000		
860	1,160	735	710	6	6	17,800	62,500	1,810,000	6,400,000		
900	1,230	895	870	7.5	7.5	24,700	88,000	2,520,000	9,000,000		
920	1,280	865	850	7.5	7.5	26,200	88,500	2,670,000	9,000,000		
1000	1,310	880	880	9.5	9.5	23,400	88,500	2,380,000	9,000,000		
	1,360	800	800	7.5	7.5	25,000	85,000	2,550,000	8,650,000		
1030	1,380	850	850	7.5	7.5	24,400	89,000	2,490,000	9,100,000		
1200	1,590	1,050	1,050	7.5	7.5	36,000	133,000	3,650,000	13,600,000		

❶ Minimal allowable dimension for chamfer dimension r or r_1 . ❷ Inner ring is divided into four. ❸ Oil mist nozzles are attached.
❹ Oil inlet in space of outer ring; no oil groove.

Bearing numbers	Dimensions	Drawing no.	Mass kg (approx.)
	F_w		
E-4R14003	763	2	1 200
E-4R14205	787.5	2°	1 900
E-4R14501	796	2	1 730
E-4R15001	830	2°	2 180
E-4R15002	845	2°	2 530
E-4R15204	828	2°	2 000
E-4R15207	845	2°	2 550
E-4R15203	855	2°	2 560
E-4R16004	870	2	1 950
E-4R16005	880	2	2 090
E-4R16406	903	2°	2 450
E-4R16405	903	2	2 520
E-4R16403	910	2	2 930
E-4R16801	920	2	2 840
E-4R17001	941	2	1 980
E-4R17003	930	2	2 430
E-4R17004	945	2	2 270
E-4R17002	928	2	2 970
E-4R17201	940	2	2 310
E-4R18001	985	2°	3 250
E-4R18401	1 015	2	3 560
E-4R20001	1 080	2	3 260
E-4R20002	1 090	2	3 530
E-4R20601	1 124	2	3 800
E-4R24002	1 295	2°	6 220

Note: **Drawing 2** represents a bearing with hollow rollers and pin type cage.







Single row tapered roller bearings

Double row tapered roller bearings

Four row tapered roller bearings

1. Types, design features, and characteristics

Tapered roller bearings are designed so that the center lines of the raceways and rollers all converge at a single point as shown in **Diagram 1**.

Due to this design feature, rollers move along the center of the raceway surfaces. The tapered rollers are guided by the compound force of the inner and outer raceway surfaces which keep them pressed up against the large rib on the inner ring. A large variety of these bearings, including single, double, and four row arrangements, are in use both in metric and inch system sizes.

Table 1 lists the various types of tapered roller bearings and their characteristics.

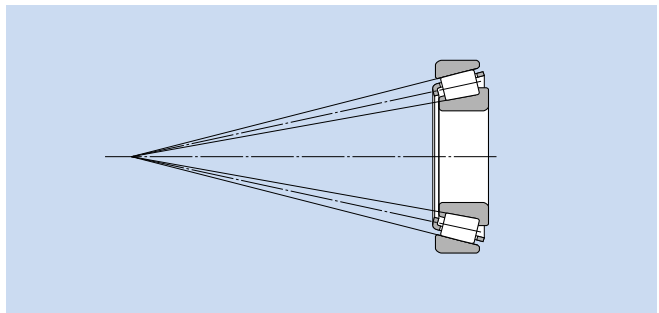



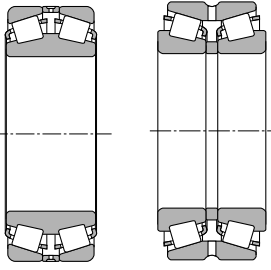
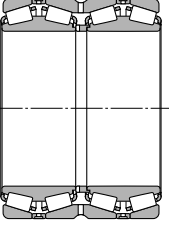
Diagram 1.

Table 1 Tapered roller bearing types and characteristics

Type	Characteristics												
<p>Single row tapered roller bearings</p>	<p>(1) There are both metric and inch system dimension series, and they have been standardized as shown in the following table.</p> <table border="1" data-bbox="395 1272 1117 1467"> <thead> <tr> <th colspan="3" data-bbox="395 1272 1117 1301">Dimension series</th> </tr> <tr> <th data-bbox="395 1301 502 1330"></th> <th data-bbox="502 1301 742 1330">Metric system</th> <th data-bbox="742 1301 1117 1330">Inch system</th> </tr> </thead> <tbody> <tr> <td data-bbox="395 1330 502 1402">Regulations</td> <td data-bbox="502 1330 742 1402"> <ul style="list-style-type: none"> ● JIS B 1512 ● ISO 355 </td> <td data-bbox="742 1330 1117 1402"> <ul style="list-style-type: none"> ● ABMA (includes metric J-series) </td> </tr> <tr> <td data-bbox="395 1402 502 1467">Basic number</td> <td data-bbox="502 1402 742 1467">Example, 30210 * T2EE040</td> <td data-bbox="742 1402 1117 1467">Inner ring no. / outer ring no. ("J" appears at the beginning of the basic number in the case of J-series.)</td> </tr> </tbody> </table> <p>* Dimension series previously not covered by 3XX are regulated under JIS B 1512; dimensions previously missing from 3XX will henceforth use the bearing number.</p> <p>(2) In addition to level type, there are also medium contact angle and large contact angle types, and the contact angle code C and D, respectively, is appended to the basic numbers of the latter two types.</p> <p>(3) Subunits Tapered roller bearings can be disassembled into parts the inner ring, rollers, and cage (collectively known as the "cone") and the outer ring (known as the "cup"). These are the bearing's "subunits". Subunit dimensions are standardized under ISO or ABMA standards, and unified subunits are interchangeable within each dimensional standard. However, high precision grade bearings are generally not interchangeable, and these subunits must be used by assembling only subunits with identical manufacturing numbers. Aside from any cautionary notes that may appear, the single row tapered roller bearings listed in the dimension tables have subunits standardized for both metric and inch systems (including J series). (Refer to Diagram 2)</p> <div data-bbox="395 1818 901 2027"> <p>Subunit dimensions</p> <p>E: Outer ring (cup) nominal small-end diameter α: Nominal contact angle</p> </div>	Dimension series				Metric system	Inch system	Regulations	<ul style="list-style-type: none"> ● JIS B 1512 ● ISO 355 	<ul style="list-style-type: none"> ● ABMA (includes metric J-series) 	Basic number	Example, 30210 * T2EE040	Inner ring no. / outer ring no. ("J" appears at the beginning of the basic number in the case of J-series.)
Dimension series													
	Metric system	Inch system											
Regulations	<ul style="list-style-type: none"> ● JIS B 1512 ● ISO 355 	<ul style="list-style-type: none"> ● ABMA (includes metric J-series) 											
Basic number	Example, 30210 * T2EE040	Inner ring no. / outer ring no. ("J" appears at the beginning of the basic number in the case of J-series.)											

Diagram 2.

Table 1 (continued)

Type	Characteristics				
<p>Single row tapered roller bearings</p>	<p>(4) Concerning ET and 4T Types ET and 4T tapered roller bearings are made of high-purity case hardened steel and are manufactured with a special heat treatment developed by NTN. As a result, wear life and reliability have been improved to where life coefficient, a_2, values can be applied as follows:</p> <table border="1" data-bbox="662 517 1118 589"> <tr> <td>4T tapered roller bearings:</td> <td>$a_2 = 1.4$</td> </tr> <tr> <td>ET tapered roller bearings:</td> <td>$a_2 = 1.9$</td> </tr> </table> <p>Furthermore, although not listed in the dimension tables, ET type bearings are also manufactured for some extra small bearing sizes. For details, consult NTN Engineering.</p> <p>(5) These bearings are constructed to have a high capacity for radial loads, axial loads, and combined loads. The larger the contact angle, the greater the axial load capacity becomes. When a pure radial load is placed on the bearings, an induced load in the axial direction is also generated, and so these bearings are generally used in pairs arranged face to face.</p> <p>(6) When used in pairs, proper internal clearances and preload can be set by adjusting the distance between the two bearings' inner and outer rings.</p> <p>(7) Inner and outer rings are separable, enabling them to be installed individually with the desired interference fit.</p> <p>(8) Tapered roller bearings are also manufactured with flanges attached to the outer rings. For more details, contact NTN Engineering. (Refer to Diagram 3)</p> <div data-bbox="1161 712 1485 1048" style="text-align: center;">  <p>Diagram 3.</p> </div>	4T tapered roller bearings:	$a_2 = 1.4$	ET tapered roller bearings:	$a_2 = 1.9$
4T tapered roller bearings:	$a_2 = 1.4$				
ET tapered roller bearings:	$a_2 = 1.9$				
<p>Double row tapered roller bearings</p>	<p>(1) Outward facing types (using double row outer rings) and inward facing types (using double row inner rings) are both available, and they have been adjusted so that each type's internal clearance values are fixed. Therefore, only parts with identical manufacturing numbers can be used and they must be assembled according to their code numbers. (Refer to Diagram 4)</p> <p>(2) The axial internal clearances for double and duplex bearings are listed in Table 8 on pages A-58, 59.</p> <p>(3) Pairs of duplex single row tapered roller bearings are also manufactured. For more details, contact NTN Engineering.</p> <div data-bbox="1161 1093 1485 1429" style="text-align: center;">  <p>Inward facing Outward facing Diagram 4.</p> </div>				
<p>Four row tapered roller bearings</p>	<p>(1) As shown in Diagram 5, four row tapered roller bearings are constructed of two double row inner rings and two double row outer rings.</p> <p>(2) Bearings wear life is greatly improved through the use of induction hardening and, for large-sized bearings, hollow rollers and pin type cages.</p> <p>(3) Used primarily where heavy load capacity is important, and in the roller necks of rolling mills.</p> <div data-bbox="1161 1473 1485 1742" style="text-align: center;">  <p>Diagram 5.</p> </div>				

2. Standard cage type

In general, pressed cages are used in tapered roller bearings.

However, for large sized bearings, machined or pin type cages are also used; and for small sized bearings, molded resin cages are also used.

3. Allowable misalignment

Single row and back-to-back arrangement:0.0005rad (1.5') Face-to-face:0.001rad (3.5')

In situations where large displacement is necessary, please consult **NTN Engineering**.



Inch Tapered Roller Bearings index

Series number	Cone or cup number is between	Page of bearing dimension table
335	4T-332 ~ 4T-344	B-165,167,169
355	4T-350A ~ 4T-359S	B-167,169,171
365	4T-362 ~ 4T-370A	B-171,173,175
385	4T-382A ~ 4T-389A	B-171,173,175,177
395	4T-390 ~ 4T-399A	B-173,177,179,181
415	4T-414 ~ 4T-420	B-167
435	4T-432 ~ 4T-438	B-169,171
455	4T-453A ~ 4T-469	B-169,171,175,177
475	4T-472 ~ 4T-484	B-179,181,183
495	4T-492A ~ 4T-498	B-183,185,187
525	4T-522 ~ 4T-529	B-169,171,175
535	4T-532A ~ 4T-543	B-167,175
555	4T-522 ~ 4T-560S	B-175,177,179,181
565	4T-563 ~ 4T-568	B-179,181
575	4T-572 ~ 4T-582	B-183,185
595	4T-592A ~ 4T-598A	B-185,187,189
615	4T-612 ~ 4T-623	B-175,177
635	4T-632 ~ 4T-644	B-179,181,183
655	4T-652 ~ 4T-665	B-181,183,185,187
675	4T-672 ~ 4T-687	B-187,189
745	4T-740 ~ 4T-749A	B-181,183,185,187
755	4T-752 ~ 4T-760	B-185,187
775	4T-772 ~ 4T-782	B-189
795	4T-792 ~ 4T-799A	B-191
835	4T-832 ~ 4T-850	B-181,185,187
855	4T-854 ~ 4T-861	B-189
895	4T-892 ~ 4T-898	B-193
935	4T-932 ~ 4T-941	B-189
1200	4T-1220 ~ 4T-1280	B-159
1300	4T-1328 ~ 4T-1380	B-157
1700	4T-1729 ~ 4T-1780	B-157,159
1900	4T-1930 ~ 4T-1985	B-159,161
2400	4T-2420 ~ 4T-2474	B-161
2500	4T-2520 ~ 4T-2585	B-161,163
2600	4T-2631 ~ 4T-2690	B-159,161

Series number	Cone or cup number is between	Page of bearing dimension table
2700	4T-2720 ~ 4T-2793	B-163,165,167
2800	4T-2820 ~ 4T-2879	B-163
2900	4T-2924 ~ 4T-2984	B-171
3100	4T-3120 ~ 4T-3196	B-161,163
3300	4T-3320 ~ 4T-3386	B-165,167
3400	4T-3420 ~ 4T-3490	B-163,165,167
3500	4T-3520 ~ 4T-3586	B-167,169,171
JS3500	4T-JS3510 ~ 4T-JS3549A	B-165
3700	4T-3720 ~ 4T-3782	B-169,171,173,175
3800	4T-3820 ~ 4T-3880	B-165,167,169
3900	4T-3920 ~ 4T-3994	B-175,177,179,181
A4000	4T-A4050 ~ 4T-A4138	B-157
4300	4T-4335 ~ 4T-4395	B-169
5300	4T-5335 ~ 4T-5395	B-173
5500	4T-5535 ~ 4T-5584	B-175,179
5700	4T-5735 ~ 4T-5760	B-183
A6000	4T-A6075 ~ 4T-A6157	B-157
6200	4T-6220 ~ 4T-6277	B-171
6300	4T-6320 ~ 4T-6386	B-181
6400	4T-6420 ~ 4T-6461A	B-183,185
6500	4T-6535 ~ 4T-6580	B-185,187
02400	4T-02420 ~ 4T-02476	B-161,163
02800	4T-02820 ~ 4T-02878	B-161,163
03000	4T-03062 ~ 4T-03162	B-157
05000	4T-05062 ~ 4T-05185	B-157
07000	4T-07079 ~ 4T-07204	B-157,159
09000	4T-09062 ~ 4T-09196	B-157
11000	4T-11162 ~ 4T-11315	B-167
11500	4T-11520 ~ 4T-11590	B-157
LM11700	4T-LM11710 ~ 4T-LM11749	B-157
LM11900	4T-LM11910 ~ 4T-LM11949	B-157
12000	4T-12175 ~ 4T-12303	B-169
12500	4T-12520 ~ 4T-12580	B-157
M12600	4T-M12610 ~ 4T-M12649	B-157
LM12700	4T-LM12711 ~ 4T-LM12749	B-157

Inch Tapered Roller Bearings index

Series number	Cone or cup number is between	Page of bearing dimension table
13000	4T-13621 ~ 4T-13687	B-165
13800	4T-13830 ~ 4T-13889	B-165
14000	4T-14116 ~ 4T-14276	B-161,163,165
15000	4T-15100 ~ 4T-15245	B-159,161,163
15500	4T-15520 ~ 4T-15590	B-159,161
16000	4T-16137 ~ 4T-16284	B-163,165
17000	4T-17118 ~ 4T-17244	B-161
17500	4T-17520 ~ 4T-17580	B-157
18500	4T-18520 ~ 4T-18590	B-167
18600	4T-18620 ~ 4T-18690	B-169,171
18700	4T-18720 ~ 4T-18790	B-173
19000	4T-19150 ~ 4T-19281	B-165
21000	4T-21075 ~ 4T-21212	B-157
22700	4T-22720 ~ 4T-22780	B-169
23000	4T-23100 ~ 4T-23256	B-159
24700	4T-24720 ~ 4T-24780	B-167
25500	4T-25519 ~ 4T-25592	B-167,169,171
25800	4T-25820 ~ 4T-25880	B-163,165
26800	4T-26820 ~ 4T-26885	B-165,167,169
27600	4T-27620 ~ 4T-27691	B-185
27800	4T-27820 ~ 4T-27880	B-167
28000	4T-28150 ~ 4T-28315	B-167
28500	4T-28521 ~ 4T-28584	B-173,175
28600	4T-28622 ~ 4T-28682	B-173,177
28900	4T-28920 ~ 4T-28995	B-179
29500	4T-29520 ~ 4T-29590	B-177,179,181
29600	4T-29620 ~ 4T-29688	B-181,183
LM29700	4T-LM29710 ~ 4T-LM29748	B-165
31500	4T-31520 ~ 4T-31597	B-165
33000	4T-33225 ~ 4T-33462	B-177,181,183
33800	4T-33821 ~ 4T-33895	B-169,173,175
34000	4T-34274 ~ 4T-34478	B-181,183,185
36600	4T-36620 ~ 4T-36691	B-193
36900	4T-36920 ~ 4T-36990	B-193
37000	4T-37425 ~ 4T-37625	B-189

Series number	Cone or cup number is between	Page of bearing dimension table
39500	4T-39520 ~ 4T-39590	B-175,177,179,181
41000	4T-41125 ~ 4T-41286	B-161
42000	4T-42346 ~ 4T-42584	B-187,189
42600	4T-42620 ~ 4T-42690	B-183,185
43000	4T-43131 ~ 4T-43312	B-163
44000	4T-44143 ~ 4T-44348	B-165,167
L44600	4T-L44610 ~ 4T-L44649	B-159
45200	4T-45220 ~ 4T-45289	B-171,173,175,177
L45400	4T-L45410 ~ 4T-L45449	B-161
46000	4T-46162 ~ 4T-46368	B-169
46700	4T-46720 ~ 4T-46790	B-193
47400	4T-47420 ~ 4T-47490	B-181
47600	4T-47620 ~ 4T-47686	B-183,185
47800	4T-47820 ~ 4T-47896	B-187,189
48200	4T-48220 ~ 4T-48290	B-191
48300	4T-48320 ~ 4T-48393	B-193
LM48500	4T-LM48510 ~ 4T-LM48548A	B-163
48600	4T-48620 ~ 4T-48685	B-193
49500	4T-49520 ~ 4T-49585	B-175
52000	4T-52375 ~ 4T-52400	B-189
53000	4T-53162 ~ 4T-53377	B-169
55000C	4T-55175C ~ 4T-55443	B-171,173,175
56000	4T-56425 ~ 4T-56650	B-189
59000	4T-59200 ~ 4T-59412	B-175
64000	4T-64433 ~ 4T-64700	B-191
65000	4T-65237 ~ 4T-65500	B-179
63500	4T-65320 ~ 4T-65390	B-173
66000	4T-66200 ~ 4T-66462	B-175,177
66500	4T-66520 ~ 4T-66589	B-175,177
LM67000	4T-LM67010 ~ 4T-LM67048	B-161
67300	4T-67332 ~ 4T-67391	B-191,193
67700	4T-67720 ~ 4T-67790	B-193
68000	4T-68450 ~ 4T-68712	B-191
L68100	4T-L68111 ~ 4T-L68149	B-165
L69300	4T-JL69310 ~ 4T-JL69349	B-165



Inch Tapered Roller Bearings index

Series number	Cone or cup number is between	Page of bearing dimension table
71000	4T-71453 ~ 4T-71750	B-191
72000C	4T-72188C ~ 4T-72487	B-173,175,177
LM728000	4T-LM72810 ~ 4T-LM72849	B-159
74000	4T-74500 ~ 4T-74850	B-191,193
78000	4T-78225 ~ 4T-78551	B-177,179
78000C	4T-78214C ~ 4T-78551	B-175
LM78300	4T-LM78310A ~ 4T-LM78349A	B-165
M84500	4T-M84510 ~ 4T-M84548	B-159
M86600	4T-M86610 ~ 4T-M86649	B-159,161
M88000	4T-M88010 ~ 4T-M88048	B-163
HM88500	4T-HM88510 ~ 4T-HM88547	B-161,163
HM88600	4T-HM88610 ~ 4T-HM88649	B-163,165
HM89200	4T-HM89210 ~ 4T-HM89249	B-165
HM89400	4T-HM89410 ~ 4T-HM89499	B-163,165
90000	4T-J90354 ~ 4T-J90748	B-187,189
95000	4T-95475 ~ 4T-95925	B-191,193
97000	4T-97500 ~ 4T-97900	B-191
99000	4T-99100 ~ 4T-99575	B-193
LM102900	4T-LM102910 ~ 4T-LM102949	B-171
LM104900	4T-JLM104910 ~ 4T-LM104949	B-173
M205100	4T-JM205110 ~ 4T-JM205149	B-173
M207000	4T-JM207010 ~ 4T-JM207049	B-177
H211700	4T-JH211710 ~ 4T-JH211749	B-181
HM212000	4T-HM212010 ~ 4T-HM212049	B-179,181
L217800	4T-L217810 ~ 4T-L217849	B-187
LL217800	4T-LL217810 ~ 4T-LL217849	B-187
HM218200	4T-HM218210 ~ 4T-HM218248	B-187
HH221400	4T-HH221410 ~ 4T-HH221449A	B-185,189
HH224300	4T-HH224310 ~ 4T-HH224346	B-189,191
HH228300	4T-HH228310 ~ 4T-HH228349	B-191
M231600	4T-M231610 ~ 4T-M231648	B-193
LM300800	4T-LM300811 ~ 4T-LM300849	B-167
H307700	4T-JH307710 ~ 4T-JH307749	B-177
HM318400	4T-JHM318410 ~ 4T-JHM318448	B-187
L327200	4T-L327210 ~ 4T-L327249	B-191

Series number	Cone or cup number is between	Page of bearing dimension table
H414200	4T-H414210 ~ 4T-H414249	B-181,183
H415600	4T-JH415610 ~ 4T-JH415647	B-183
L432300	4T-L402310 ~ 4T-L432349	B-193
LM501300	4T-LM501310 ~ 4T-LM501349	B-167
LM503300	4T-LM503310 ~ 4T-LM503349A	B-171
HH506300	4T-HH506310 ~ 4T-HH506349	B-173
LM506800	4T-JLM506810 ~ 4T-JLM506849	B-175
LM508700	4T-JLM508710 ~ 4T-JLM508748	B-177
M511900	4T-JM511910 ~ 4T-JM511946	B-179
M515600	4T-JM515610 ~ 4T-JM515649	B-185
HM516400	4T-HM516410 ~ 4T-HM516448	B-183,185
HM516800	4T-JHM516810 ~ 4T-JHM516849	B-187
LM522500	4T-LM522510 ~ 4T-LM522548	B-189
HM522600	4T-JHM522610 ~ 4T-JHM522649	B-191
HM534100	4T-JHM534110 ~ 4T-JHM534149	B-193
LM603000	4T-LM603011 ~ 4T-LM603049	B-171
L610500	4T-L610510 ~ 4T-L610549	B-179
M612900	4T-JM612910 ~ 4T-JM612949	B-181
HM61700	4T-HM617010 ~ 4T-HM617049	B-187
L630300	4T-L630310 ~ 4T-L630349	B-193
LL639200	4T-LL639210 ~ 4T-LL639249	B-193
LM704600	4T-JLM704610 ~ 4T-JLM704649	B-173
LM710900	4T-JLM710910 ~ 4T-JLM710949	B-179
LM714100	4T-JLM714110 ~ 4T-JLM714149	B-183
M714200	4T-JM714210 ~ 4T-JM714249	B-183
H715300	4T-H714311 ~ 4T-H715348	B-179,181,183
M716600	4T-JM716610 ~ 4T-JM716648	B-187
M718100	4T-JM718110 ~ 4T-JM718149	B-187
M719100	4T-JM719113 ~ 4T-JM719149	B-187
M720200	4T-JM720210 ~ 4T-JM720249	B-189
L724300	4T-JL724314 ~ 4T-JL724348	B-191
M736100	4T-JM736110 ~ 4T-JM736149	B-193
M738200	4T-JM738210 ~ 4T-JM738249A	B-193
HM801300	4T-HM801310 ~ 4T-HM801349	B-167
M802000	4T-M802011 ~ 4T-M802048	B-169

Inch Tapered Roller Bearings index

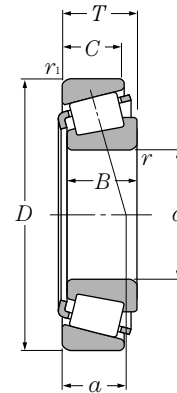
Series number	Cone or cup number is between	Page of bearing dimension table
HM803100	4T-HM803110 ~ 4T-HM803149	B-169
M804000	4T-M804010 ~ 4T-M804048	B-171
HM804800	4T-HM804810 ~ 4T-HM804849	B-169,173
LM806600	4T-LM806610 ~ 4T-LM806649	B-175
HM807000	4T-HM807010 ~ 4T-HM807049	B-171,173,175
L812100	4T-L812111 ~ 4T-L812148	B-181
LM813000	4T-JLM813010 ~ 4T-JLM813049	B-181
HM813800	4T-HM813810 ~ 4T-HM813844	B-177,179,181
L814700	4T-L814710 ~ 4T-L814749	B-183
LM814800	4T-LM814810 ~ 4T-LM814849	B-185
M822000	4T-JM822010 ~ 4T-JM822049	B-191
HM903200	4T-HM903210 ~ 4T-HM903249	B-169
M903300	4T-M903310 ~ 4T-M903345	B-169
HM907600	4T-HM907614 ~ 4T-HM907643	B-175
HM911200	4T-HM911210 ~ 4T-HM911245	B-175,179
H913800	4T-H913810 ~ 4T-JH913848	B-177,179,183
H917800	4T-H917810 ~ 4T-H917840	B-185
H924000	4T-H924010 ~ 4T-H924045	B-191
HM926700	4T-HM926710 ~ 4T-HM926747	B-191



How to use the Index

For example, when accessing the dimension tables with the bearing numbers 4T-HM911244 and 4T-HM911216, we see that the inner ring and outer ring bearing numbers are in the range 4T-HM911210 ~ 4T-HM911245. Therefore, information about this bearing will be on either page B-175 or B-179.

Metric system sizes

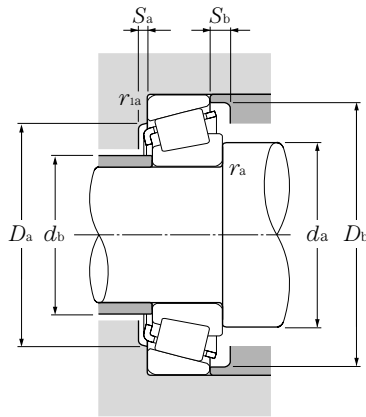


d 15 ~ 30mm

d	Boundary dimensions						Basic load ratings				Limiting speeds		Bearing numbers
	D	T	mm			dynamic	static	dynamic	static	rpm			
	D	T	B	C	$r_{s\ min}$ ①	$r_{ls\ min}$ ①	C_r	C_{or}	C_r	C_{or}	grease	oil	
15	42	14.25	13	11	1	1	23.2	20.8	2,370	2,120	9,900	13,000	4T-30302
17	40	13.25	12	11	1	1	20.5	20.3	2,090	2,070	9,900	13,000	4T-30203
	40	17.25	16	14	1	1	27.3	28.3	2,790	2,880	9,900	13,000	4T-32203
	40	17.25	16	14	1	1	26.2	28.2	2,670	2,870	9,900	13,000	4T-32203R [®]
	47	15.25	14	12	1	1	28.9	26.3	2,940	2,680	9,000	12,000	4T-30303
20	42	15	15	12	0.6	0.6	24.9	27.9	2,540	2,840	9,500	13,000	4T-32004X
	47	15.25	14	12	1	1	28.2	28.7	2,870	2,930	8,800	12,000	4T-30204
	47	19.25	18	15	1	1	36.5	39.5	3,700	4,000	8,800	12,000	4T-32204
	52	16.25	16	13	1.5	1.5	35.5	34.0	3,600	3,450	8,000	11,000	4T-30304A
	52	16.25	16	12	1.5	1.5	31.0	31.0	3,150	3,150	7,600	10,000	4T-30304CA
52	22.25	21	18	1.5	1.5	46.5	48.5	4,750	4,950	8,000	11,000	4T-32304	
22	44	15	15	11.5	0.6	0.6	27.0	31.5	2,760	3,250	8,900	12,000	4T-320/22X
25	47	15	15	11.5	0.6	0.6	27.8	33.5	2,830	3,450	7,900	11,000	4T-32005X
	47	17	17	14	0.6	0.6	32.5	40.5	3,300	4,150	8,000	11,000	4T-33005
	52	16.25	15	13	1	1	31.5	34.0	3,200	3,450	7,300	9,800	4T-30205
	52	19.25	18	16	1	1	42.0	47.0	4,300	4,800	7,300	9,800	4T-32205
	52	19.25	18	15	1	1	38.0	43.0	3,850	4,400	7,300	9,800	4T-32205R [®]
	52	19.25	18	15	1	1	38.0	46.5	3,900	4,750	7,100	9,400	4T-32205C
	52	19.25	18	15	1	1	34.5	42.0	3,500	4,250	7,100	9,400	4T-32205CR [®]
	52	22	22	18	1	1	47.5	57.5	4,850	5,850	7,300	9,800	4T-33205
	62	18.25	17	15	1.5	1.5	48.5	47.5	4,950	4,850	6,700	8,900	4T-30305
	62	18.25	17	14	1.5	1.5	41.5	41.5	4,250	4,250	6,400	8,500	4T-30305C
62	18.25	17	13	1.5	1.5	40.5	43.5	4,150	4,450	5,900	7,800	4T-30305D	
62	25.25	24	20	1.5	1.5	61.5	64.5	6,250	6,600	6,700	8,900	4T-32305	
28	52	16	16	12	1	1	33.0	40.5	3,400	4,150	7,300	9,700	4T-320/28X
	58	24	24	19	1	1	58.0	69.5	5,950	7,100	6,700	8,900	4T-332/28
30	55	17	17	13	1	1	37.5	46.0	3,800	4,700	6,900	9,200	4T-32006X
	55	20	20	16	1	1	42.5	54.0	4,300	5,500	6,900	9,200	4T-33006
	62	17.25	16	14	1	1	43.5	48.0	4,450	4,900	6,300	8,400	4T-30206
	62	21.25	20	17	1	1	54.5	64.0	5,600	6,550	6,300	8,400	4T-32206
	62	21.25	20	17	1	1	50.0	60.0	5,100	6,100	6,100	8,100	4T-32206C
	62	25	25	19.5	1	1	65.0	77.0	6,600	7,850	6,300	8,400	4T-33206
72	20.75	19	16	1.5	1.5	60.0	61.0	6,100	6,200	5,700	7,600	4T-30306	

① Minimal allowable dimension for chamfer dimension r or r_1 .

② This bearing does not incorporate the subunit dimensions.



Equivalent bearing load

dynamic
 $P_r = XF_r + YF_a$

$\frac{F_a}{F_r} \leq e$		$\frac{F_a}{F_r} > e$	
X	Y	X	Y
1	0	0.4	Y_2

static

$$P_{or} = 0.5F_r + Y_oF_a$$

When $P_{or} < F_r$ use $P_{or} = F_r$

For values of e , Y_2 and Y_o see the table below.

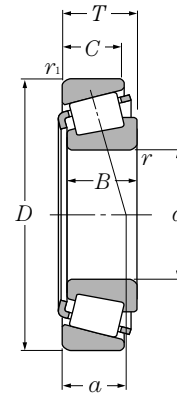
Dimensions series to ISO	Abutment and fillet dimensions										Load center mm	Constant e	Axial load factors		Mass kg (approx.)		
	mm												a	e		Y_2	Y_o
	d_a min	d_b max	D_a max	D_b min	S_a min	S_b min	r_{as} max	r_{1as} max									
2FB	20.5	22	36.5	35	38	2	3	1	1	9.5	0.29	2.11	1.16	0.098			
2DB	22.5	23	34.5	33	37	2	2	1	1	9.5	0.35	1.74	0.96	0.08			
2DD	22.5	23	34.5	33	37	2	3	1	1	11.5	0.31	1.92	1.06	0.102			
	22.5	22	34.5	33	36.5	2	3	1	1	11	0.35	1.74	0.96	0.104			
2FB	22.5	24	41.5	40	42	3	3.5	1	1	10.5	0.29	2.11	1.16	0.134			
3CC	24.5	25	37.5	36	39	3	3	0.6	0.6	10.5	0.37	1.60	0.88	0.097			
2DB	25.5	27	41.5	40	44	2	3	1	1	11.5	0.35	1.74	0.96	0.127			
2DD	25.5	26	41.5	39	43	2	4	1	1	12.5	0.33	1.81	1.00	0.16			
2FB	28.5	28	43.5	42.5	47.5	3	3	1.5	1.5	10.5	0.30	2.00	1.10	0.176			
	28.5	27.5	43.5	39.5	48	3	4	1.5	1.5	13.5	0.55	1.10	0.60	0.17			
2FD	28.5	27	43.5	43	47	3	4	1.5	1.5	14	0.30	2.00	1.10	0.245			
3CC	26.5	27	39.5	38	41	3	3.5	0.6	0.6	11	0.40	1.51	0.83	0.106			
4CC	29.5	30	42.5	40	44	3	3.5	0.6	0.6	12	0.43	1.39	0.77	0.114			
2CE	29.5	29	42.5	40	43.5	3	3	0.6	0.6	11	0.29	2.07	1.14	0.13			
3CC	30.5	31	46.5	44	48	2	3	1	1	12.5	0.37	1.60	0.88	0.154			
2CD	30.5	31	46.5	43	48	2	4	1	1	14	0.36	1.67	0.92	0.187			
	30.5	31	46.5	43	48	2	4	1	1	13.5	0.37	1.60	0.88	0.181			
5CD	30.5	30	46.5	42	49	2	4	1	1	16	0.58	1.03	0.57	0.19			
	30.5	30	46.5	42	49	2	4	1	1	16	0.55	1.10	0.60	0.19			
2DE	30.5	30	46.5	43	49	4	4	1	1	14	0.35	1.71	0.94	0.217			
2FB	33.5	34	53.5	52	57	3	3	1.5	1.5	13	0.30	2.00	1.10	0.272			
	33.5	34	53.5	48	58	3	4	1.5	1.5	16	0.55	1.10	0.60	0.264			
7FB	33.5	34	53.5	45.5	58.5	3	5	1.5	1.5	20	0.83	0.73	0.40	0.284			
2FD	33.5	32	53.5	52	57	3	5	1.5	1.5	16	0.30	2.00	1.10	0.381			
4CC	33.5	33	46.5	45	49	3	4	1	1	12.5	0.43	1.39	0.77	0.146			
2DE	33.5	34	52.5	49	55	5	5	1	1	15.5	0.34	1.77	0.97	0.293			
4CC	35.5	35	49.5	48	52	3	4	1	1	13.5	0.43	1.39	0.77	0.166			
2CE	35.5	35.5	49.5	46.5	52	3	4	1	1	13	0.29	2.06	1.13	0.201			
3DB	35.5	37	56.5	53	57	2	3	1	1	13.5	0.37	1.60	0.88	0.241			
3DC	35.5	37	56.5	52	58	2.5	4	1	1	15.5	0.37	1.60	0.88	0.301			
5DC	35.5	35	56.5	49	59.5	2	5	1	1	18.5	0.56	1.07	0.59	0.294			
2DE	35.5	36	56.5	53	59	5	5.5	1	1	16	0.34	1.76	0.97	0.344			
2FB	38.5	40	63.5	62	66	3	4.5	1.5	1.5	15	0.31	1.90	1.05	0.408			



Tapered Roller Bearings

NTN

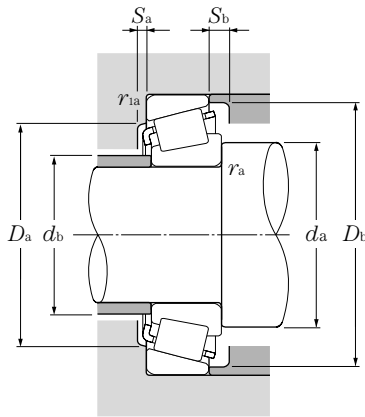
Metric system sizes



d 30 ~ 45mm

d	Boundary dimensions						Basic load ratings				Limiting speeds		Bearing numbers
	D	T	mm			dynamic	static	dynamic	static	rpm			
			B	C	$r_{s\ min}$ ①	$r_{ls\ min}$ ①	kN	C_{or}	kgf	C_{or}	grease	oil	
30	72	20.75	19	15	1.5	1.5	58.5	58.5	6,000	5,950	5,500	7,300	4T-30306CA
	72	20.75	19	14	1.5	1.5	48.5	51.5	4,950	5,250	5,000	6,700	4T-30306D
	72	28.75	27	23	1.5	1.5	81.0	90.0	8,250	9,150	5,700	7,600	4T-32306
	72	28.75	27	23	1.5	1.5	79.0	94.0	8,050	9,550	5,500	7,300	* 4T-32306C
	72	28.75	27	23	1.5	1.5	70.0	88.5	7,150	9,050	5,500	7,300	4T-32306CR [®]
32	58	17	17	13	1	1	37.0	46.5	3,750	4,750	6,600	8,700	4T-320/32X
	65	26	26	20.5	1	1	70.5	85.0	7,200	8,650	6,000	8,000	4T-332/32
	75	29.75	28	23	1.5	1.5	84.0	102	8,600	10,400	5,200	6,900	4T-323/32C
35	55	14	14	11.5	0.6	0.6	27.4	37.5	2,790	3,850	6,800	9,000	32907XU
	62	18	18	14	1	1	41.5	52.5	4,250	5,350	6,100	8,100	4T-32007X
	62	21	21	17	1	1	50.5	66.5	5,150	6,800	6,100	8,100	4T-33007
	72	18.25	17	15	1.5	1.5	55.5	61.5	5,650	6,250	5,500	7,400	4T-30207
	72	24.25	23	19	1.5	1.5	72.5	87.0	7,400	8,900	5,500	7,400	4T-32207
	72	24.25	23	19	1.5	1.5	68.0	85.5	6,950	8,750	5,300	7,100	4T-32207C
	72	24.25	23	18	1.5	1.5	62.0	78.5	6,300	8,000	5,300	7,100	4T-32207CR [®]
	72	28	28	22	1.5	1.5	87.5	109	8,900	11,200	5,500	7,400	4T-33207
	80	22.75	21	18	2	1.5	75.0	77.0	7,650	7,900	5,000	6,600	4T-30307
	80	22.75	21	17	2	1.5	66.5	68.5	6,750	7,000	4,800	6,400	4T-30307C
	80	22.75	21	15	2	1.5	63.5	70.0	6,450	7,100	4,400	5,800	4T-30307D
40	80	32.75	31	25	2	1.5	101	115	10,300	11,700	5,000	6,600	4T-32307
	80	32.75	31	25	2	1.5	93.0	117	9,500	12,000	4,800	6,400	4T-32307C
	62	15	15	12	0.6	0.6	32.5	48.0	3,350	4,900	5,900	7,800	32908XU
	68	19	19	14.5	1	1	50.0	65.5	5,100	6,650	5,300	7,100	4T-32008X
	68	22	22	18	1	1	59.5	82.5	6,050	8,400	5,300	7,100	4T-33008
	75	26	26	20.5	1.5	1.5	79.5	103	8,100	10,500	5,200	6,900	4T-33108
	80	19.75	18	16	1.5	1.5	61.0	67.0	6,250	6,850	4,900	6,600	4T-30208
	80	24.75	23	19	1.5	1.5	79.5	93.5	8,100	9,550	4,900	6,600	4T-32208
	80	32	32	25	1.5	1.5	103	132	10,500	13,400	4,900	6,600	4T-33208
	85	33	32.5	28	2.5	2	118	144	12,000	14,700	4,600	6,200	4T-T2EE040
	90	25.25	23	20	2	1.5	91.5	102	9,350	10,400	4,400	5,900	4T-30308
45	90	25.25	23	19	2	1.5	83.0	87.0	8,450	8,900	4,200	5,600	4T-30308C
	90	25.25	23	17	2	1.5	77.0	85.5	7,850	8,700	3,900	5,200	4T-30308D
	90	35.25	33	27	2	1.5	122	150	12,500	15,300	4,400	5,900	32308U
	90	35.25	33	27	2	1.5	110	140	11,300	14,300	4,200	5,600	4T-32308C
	68	15	15	12	0.6	0.6	33.5	51.5	3,450	5,250	5,300	7,000	* 32909XU

① Minimal allowable dimension for chamfer dimension r or r_1 . ② This bearing does not incorporate the subunit dimensions.
 Note: When selecting bearings with bearing numbers marked with "*", please consult NTN Engineering.



Equivalent bearing load

dynamic
 $P_r = XF_r + YF_a$

$\frac{F_a}{F_r} \leq e$		$\frac{F_a}{F_r} > e$	
X	Y	X	Y
1	0	0.4	Y_2

static

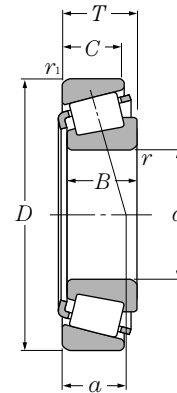
$P_{or} = 0.5F_r + Y_oF_a$

When $P_{or} < F_r$ use $P_{or} = F_r$

For values of e , Y_2 and Y_o see the table below.

Dimensions series to ISO	Abutment and fillet dimensions										Load center mm	Constant e	Axial load factors		Mass kg (approx.)		
	mm												a	e		Y_2	Y_o
	d_a min	d_b max	D_a max	D_b min	S_a min	S_b min	r_{as} max	r_{1as} max									
7FB	38.5	39.5	63.5	57	67	3	5.5	1.5	1.5	17.5	0.47	1.27	0.70	0.398			
2FD	38.5	39	63.5	55	68	3	6.5	1.5	1.5	23.5	0.83	0.73	0.40	0.398			
5FD	38.5	38	63.5	59	66	3	5.5	1.5	1.5	18.5	0.31	1.90	1.05	0.583			
	38.5	37	63.5	57	68	2	5.5	1.5	1.5	23	0.55	1.10	0.60	0.592			
	38.5	37	63.5	57	67.5	2	5.5	1.5	1.5	23	0.61	0.99	0.54	0.594			
4CC	37.5	38	52.5	50	55	3	4	1	1	14.5	0.45	1.32	0.73	0.181			
2DE	37.5	38	59.5	55	62	5	5.5	1	1	17	0.35	1.73	0.95	0.395			
5FD	40.5	39	66.5	61	71	3	6.5	1.5	1.5	23	0.55	1.10	0.60	0.659			
2BD	39.5	40	50.5	48	52.5	2.5	2.5	0.6	0.6	10.5	0.29	2.06	1.13	0.121			
4CC	40.5	40	56.5	54	59	4	4	1	1	15.5	0.45	1.32	0.73	0.224			
2CE	40.5	40.5	56.5	52	59	3	4	1	1	14	0.31	1.97	1.08	0.263			
3DB	43.5	44	63.5	62	67	3	3	1.5	1.5	15	0.37	1.60	0.88	0.344			
3DC	43.5	43	63.5	61	67	3	5	1.5	1.5	17.5	0.37	1.60	0.88	0.457			
5DC	43.5	42	63.5	59	68	3	6	1.5	1.5	21.5	0.58	1.03	0.57	0.461			
	43.5	42	63.5	59	68	3	6	1.5	1.5	20.5	0.55	1.10	0.60	0.461			
2DE	43.5	42	63.5	61	68	5	6	1.5	1.5	18.5	0.35	1.70	0.93	0.531			
2FB	45	45	71.5	70	74	3	4.5	2	1.5	17	0.31	1.90	1.05	0.540			
	45	44	71.5	63.5	75.5	3	5.5	2	1.5	20.5	0.55	1.10	0.60	0.517			
7FB	45	44	71.5	62	76.5	3	7.5	2	1.5	26	0.83	0.73	0.40	0.530			
2FE	45	43	71.5	66	74	3	7.5	2	1.5	20.5	0.31	1.90	1.05	0.787			
5FE	45	43	71.5	66	76	3	7.5	2	1.5	25	0.55	1.10	0.60	0.797			
2BC	44.5	45.5	57.5	54	58.5	3	3	0.6	0.6	11.5	0.29	2.07	1.14	0.161			
3CD	45.5	46	62.5	60	65	4	4.5	1	1	15	0.38	1.58	0.87	0.273			
2BE	45.5	46	62.5	60	64	2.5	4	1	1	15	0.28	2.12	1.17	0.312			
2CE	48.5	47	66.5	65	71	4	5.5	1.5	1.5	18	0.36	1.69	0.93	0.494			
3DB	48.5	49	71.5	69	75	3	3.5	1.5	1.5	16.5	0.37	1.60	0.88	0.435			
3DC	48.5	48	71.5	68	75	3	5.5	1.5	1.5	19	0.37	1.60	0.88	0.558			
2DE	48.5	47	71.5	67	76	5	7	1.5	1.5	21	0.36	1.68	0.92	0.728			
2EE	52	48	75	70	80	5	5	2	2	22.5	0.34	1.74	0.96	0.907			
2FB	50	52	81.5	77	82	3	5	2	1.5	19.5	0.35	1.74	0.96	0.769			
	50	50	80	72	85.5	3.5	6	2	1.5	23	0.55	1.10	0.60	0.728			
7FB	50	50	81.5	71	86.5	3	8	2	1.5	29.5	0.83	0.73	0.40	0.738			
2FD	50	50	81.5	73	82	3	8	2	1.5	23	0.35	1.74	0.96	1.08			
5FD	50	48	81.5	72	84	3	8	2	1.5	27.5	0.55	1.10	0.60	1.1			
2BC	50	50	63.5	59.5	64.5	3	3	0.6	0.6	12	0.32	1.88	1.04	0.188			

Metric system sizes

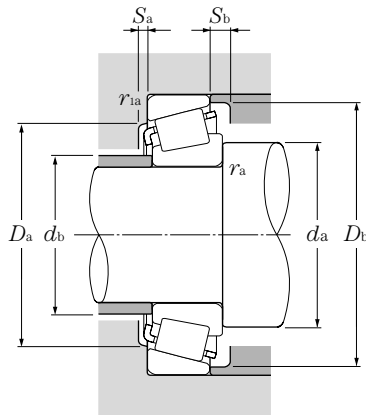


d 45 ~ 60mm

d	Boundary dimensions						Basic load ratings				Limiting speeds		Bearing numbers
	D	T	mm			dynamic	static	dynamic	static	rpm			
			B	C	$r_{s \min}$ ①	$r_{ls \min}$ ①	kN	kgf	grease	oil			
45	75	20	20	15.5	1	1	57.5	76.5	5,850	7,800	4,800	6,400	4T-32009X
	75	24	24	19	1	1	66.0	93.5	6,750	9,550	4,800	6,400	4T-33009
	80	26	26	20.5	1.5	1.5	84.5	115	8,650	11,700	4,700	6,200	4T-33109
	85	20.75	19	16	1.5	1.5	67.5	78.5	6,900	8,000	4,400	5,900	4T-30209
	85	24.75	23	19	1.5	1.5	82.0	100	8,350	10,200	4,400	5,900	4T-32209
	85	32	32	25	1.5	1.5	107	141	10,900	14,400	4,400	5,900	4T-33209
	100	27.25	25	22	2	1.5	111	126	11,300	12,800	4,000	5,300	4T-30309
	100	27.25	25	18	2	1.5	96.0	109	9,800	11,100	3,500	4,600	4T-30309D
	100	38.25	36	30	2	1.5	154	191	15,700	19,500	4,000	5,300	32309U
50	72	15	15	12	0.6	0.6	35.5	57.0	3,650	5,800	4,700	6,300	* 32910XU
	72	15	14	12	0.6	0.6	31.5	50.5	3,200	5,150	4,700	6,300	32910 [®]
	80	20	20	15.5	1	1	62.5	88.0	6,400	9,000	4,400	5,800	4T-32010X
	80	24	24	19	1	1	69.5	103	7,100	10,500	4,400	5,800	4T-33010
	85	26	26	20	1.5	1.5	86.5	121	8,850	12,400	4,200	5,600	4T-33110
	90	21.75	20	17	1.5	1.5	77.0	93.0	7,850	9,450	4,000	5,300	4T-30210
	90	24.75	23	19	1.5	1.5	87.5	109	8,900	11,100	4,000	5,300	4T-32210
	90	32	32	24.5	1.5	1.5	115	158	11,700	16,100	4,000	5,300	4T-33210
	100	36	35	30	2.5	2.5	151	190	15,400	19,400	3,800	5,100	4T-T2ED050
	105	32	29	22	3	3	107	132	10,900	13,500	3,400	4,500	4T-T7FC050
55	110	29.25	27	23	2.5	2	133	152	13,500	15,500	3,600	4,800	4T-30310
	110	29.25	27	19	2.5	2	113	130	11,600	13,300	3,200	4,200	4T-30310D
	110	42.25	40	33	2.5	2	184	232	18,700	23,600	3,600	4,800	32310U
	80	17	17	14	1	1	44.5	73.5	4,550	7,500	4,300	5,700	32911XU
	90	23	23	17.5	1.5	1.5	80.5	118	8,200	12,000	4,000	5,400	4T-32011X
	90	27	27	21	1.5	1.5	91.5	138	9,350	14,100	4,000	5,400	4T-33011
	95	30	30	23	1.5	1.5	111	155	11,300	15,800	3,900	5,200	4T-33111
	100	22.75	21	18	2	1.5	93.0	111	9,500	11,300	3,600	4,900	4T-30211
100	26.75	25	21	2	1.5	108	134	11,000	13,700	3,600	4,900	4T-32211	
60	100	35	35	27	2	1.5	138	188	14,100	19,100	3,600	4,900	4T-33211
	120	31.5	29	25	2.5	2	155	179	15,800	18,300	3,300	4,400	4T-30311
	120	31.5	29	21	2.5	2	132	154	13,500	15,700	2,900	3,800	4T-30311D
	120	45.5	43	35	2.5	2	215	275	21,900	28,000	3,300	4,400	32311U
	85	17	17	14	1	1	51.0	83.0	5,200	8,450	4,000	5,300	32912XA [®]
	95	23	23	17.5	1.5	1.5	82.0	123	8,350	12,500	3,700	4,900	4T-32012X
60	95	27	27	21	1.5	1.5	93.5	145	9,550	14,700	3,700	4,900	4T-33012
	100	30	30	23	1.5	1.5	113	164	11,600	16,700	3,600	4,700	4T-33112

① Minimal allowable dimension for chamfer dimension r or r_1 .

② This bearing does not incorporate the subunit dimensions.



Equivalent bearing load

dynamic
 $P_r = XF_r + YF_a$

$\frac{F_a}{F_r} \leq e$		$\frac{F_a}{F_r} > e$	
X	Y	X	Y
1	0	0.4	Y_2

static

$P_{or} = 0.5F_r + Y_0F_a$

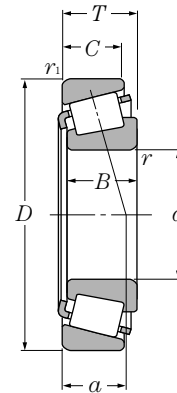
When $P_{or} < F_r$ use $P_{or} = F_r$

For values of e , Y_2 and Y_0 see the table below.

Dimensions series to ISO	Abutment and fillet dimensions										Load center mm	Constant e	Axial load factors		Mass kg (approx.)		
	mm												a	e		Y_2	Y_0
	d_a min	d_b max	D_a max	D_b min	S_a min	S_b min	r_{as} max	r_{1as} max									
3CC	50.5	51	69.5	67	72	4	4.5	1	1	16.5	0.39	1.53	0.84	0.346			
2CE	50.5	51	69.5	67	71	4	5	1	1	16	0.29	2.04	1.12	0.398			
3CE	53.5	52	71.5	69	77	4	5.5	1.5	1.5	19.5	0.38	1.57	0.86	0.542			
3DB	53.5	54	76.5	74	80	3	4.5	1.5	1.5	18	0.40	1.48	0.81	0.495			
3DC	53.5	53	76.5	73	81	3	5.5	1.5	1.5	20	0.40	1.48	0.81	0.607			
3DE	53.5	52	76.5	72	81	5	7	1.5	1.5	22	0.39	1.56	0.86	0.783			
2FB	55	59	91.5	86	93	3	5	2	1.5	21	0.35	1.74	0.96	1.01			
7FB	55	56	91.5	79	96	3	9	2	1.5	32.5	0.83	0.73	0.40	0.958			
2FD	55	56	91.5	82	93	3	8	2	1.5	25.5	0.35	1.74	0.96	1.46			
2BC	54.5	55	67.5	63.5	69	3	3	0.6	0.6	13.5	0.34	1.76	0.97	0.191			
	54.5	55	67.5	63.5	69.5	3	3	0.6	0.6	14.5	0.36	1.67	0.92	0.192			
3CC	55.5	56	74.5	72	77	4	4.5	1	1	17.5	0.42	1.42	0.78	0.366			
2CE	55.5	56	74.5	72	76	4	5	1	1	17.5	0.32	1.90	1.04	0.433			
3CE	58.5	56	76.5	74	82	4	6	1.5	1.5	20.5	0.41	1.46	0.80	0.58			
3DB	58.5	58	81.5	79	85	3	4.5	1.5	1.5	19.5	0.42	1.43	0.79	0.563			
3DC	58.5	58	81.5	78	85	3	5.5	1.5	1.5	21	0.42	1.43	0.79	0.648			
3DE	58.5	57	81.5	77	87	5	7.5	1.5	1.5	23.5	0.41	1.45	0.80	0.852			
2ED	62	59	88	84	94	6	6	2	2	25.5	0.34	1.75	0.96	1.31			
7FC	64	60	91	78	100	4	10	2.5	2.5	36.5	0.87	0.69	0.38	1.23			
2FB	62	65	100	95	102	3	6	2	2	23	0.35	1.74	0.96	1.31			
7FB	62	62	100	87	105	3	10	2	2	35	0.83	0.73	0.40	1.25			
2FD	62	62	100	90	102	3	9	2	2	28.5	0.35	1.74	0.96	1.92			
2BC	60.5	60.5	74.5	70.5	76.5	3	3	1	1	14.5	0.31	1.94	1.07	0.274			
3CC	63.5	63	81.5	81	86	4	5.5	1.5	1.5	20	0.41	1.48	0.81	0.563			
2CE	63.5	63	81.5	81	86	5	6	1.5	1.5	19.5	0.31	1.92	1.06	0.643			
3CE	63.5	62	86.5	83	91	5	7	1.5	1.5	22	0.37	1.60	0.88	0.846			
3DB	65	64	91.5	88	94	4	4.5	2	1.5	21	0.40	1.48	0.81	0.74			
3DC	65	63	91.5	87	95	4	5.5	2	1.5	22.5	0.40	1.48	0.81	0.876			
3DE	65	62	91.5	85	96	6	8	2	1.5	25.5	0.40	1.50	0.83	1.15			
2FB	67	71	110	104	111	4	6.5	2	2	24.5	0.35	1.74	0.96	1.66			
7FB	67	68	110	94	113	4	10.5	2	2	38	0.83	0.73	0.40	1.59			
2FD	67	68	110	99	111	4	10.5	2	2	30.5	0.35	1.74	0.96	2.44			
	65.5	65.5	79.5	76.5	82	3	3	1	1	15.5	0.33	1.80	0.99	0.296			
4CC	68.5	67	86.5	85	91	4	5.5	1.5	1.5	21	0.43	1.39	0.77	0.576			
2CE	68.5	67	86.5	85	90	5	6	1.5	1.5	20.5	0.33	1.83	1.01	0.684			
3CE	68.5	67	91.5	88	96	5	7	1.5	1.5	23.5	0.40	1.51	0.83	0.912			

Note: When selecting bearings with bearing numbers marked with " * ", please consult NTN Engineering.

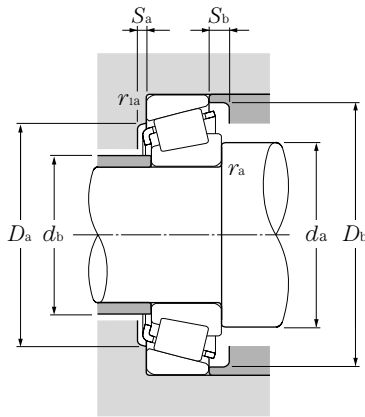
Metric system sizes



d 60 ~ 75mm

d	Boundary dimensions						Basic load ratings				Limiting speeds		Bearing numbers
	D	T	mm			dynamic	static	dynamic	static	rpm			
			B	C	$r_{s\ min}$ ①	$r_{ls\ min}$ ①	kN	kgf	grease	oil			
60	110	23.75	22	19	2	1.5	105	125	10,700	12,700	3,400	4,500	4T-30212
	110	29.75	28	24	2	1.5	130	164	13,200	16,800	3,400	4,500	32212U
	110	38	38	29	2	1.5	161	223	16,400	22,700	3,400	4,500	33212U
	115	40	39	33	2.5	2.5	188	249	19,200	25,400	3,200	4,300	4T-T2EE060
	125	37	33.5	26	3	3	145	186	14,800	18,900	2,800	3,700	4T-T7FC060
	130	33.5	31	26	3	2.5	180	210	18,300	21,400	3,000	4,000	30312U
	130	33.5	31	22	3	2.5	150	176	15,300	17,900	2,700	3,600	4T-30312D
	130	48.5	46	37	3	2.5	244	315	24,900	32,000	3,000	4,000	32312U
65	90	17	17	14	1	1	48.5	85.0	4,900	8,700	3,700	4,900	32913XU
	100	23	23	17.5	1.5	1.5	83.0	128	8,450	13,000	3,400	4,600	4T-32013X
	100	27	27	21	1.5	1.5	97.5	156	9,950	16,000	3,400	4,600	4T-33013
	110	34	34	26.5	1.5	1.5	144	211	14,700	21,500	3,300	4,400	4T-33113
	120	24.75	23	20	2	1.5	123	148	12,500	15,000	3,100	4,200	4T-30213
	120	32.75	31	27	2	1.5	159	206	16,200	21,000	3,100	4,200	32213U
	120	41	41	32	2	1.5	195	265	19,900	27,100	3,100	4,200	33213U
	140	36	33	28	3	2.5	203	238	20,700	24,300	2,800	3,700	30313U
	140	36	33	23	3	2.5	173	204	17,700	20,900	2,500	3,300	4T-30313D
	140	51	48	39	3	2.5	273	350	27,800	36,000	2,800	3,700	32313U
70	100	20	20	16	1	1	68.5	110	7,000	11,200	3,400	4,600	32914XU
	110	25	25	19	1.5	1.5	105	160	10,700	16,400	3,200	4,200	4T-32014X
	110	31	31	25.5	1.5	1.5	127	204	12,900	20,800	3,200	4,200	4T-33014
	125	26.25	24	21	2	1.5	131	162	13,400	16,500	2,900	3,900	4T-30214
	125	33.25	31	27	2	1.5	166	220	16,900	22,400	2,900	3,900	32214U
	125	41	41	32	2	1.5	201	282	20,500	28,700	2,900	3,900	33214U
	140	39	35.5	27	3	3	173	231	17,600	23,500	2,400	3,200	4T-T7FC070
	150	38	35	30	3	2.5	230	272	23,400	27,800	2,600	3,500	30314U
		150	38	35	25	3	2.5	193	229	19,600	23,300	2,300	3,000
	150	54	51	42	3	2.5	310	405	31,500	41,000	2,600	3,500	32314U
75	105	20	20	16	1	1	69.5	114	7,100	11,600	3,200	4,300	32915XU
	115	25	25	19	1.5	1.5	106	167	10,800	17,000	3,000	4,000	32015XU
	115	31	31	25.5	1.5	1.5	111	186	11,300	19,000	3,000	4,000	33015U
	130	27.25	25	22	2	1.5	139	175	14,200	17,900	2,700	3,600	4T-30215
	130	33.25	31	27	2	1.5	168	224	17,100	22,800	2,700	3,600	32215U
	130	41	41	31	2	1.5	208	298	21,200	30,500	2,700	3,600	33215U
	160	40	37	31	3	2.5	255	305	26,000	31,000	2,400	3,200	30315U
	160	40	37	26	3	2.5	215	256	21,900	26,100	2,100	2,800	30315DU

① Minimal allowable dimension for chamfer dimension r or r_1 .



Equivalent bearing load

dynamic
 $P_r = XF_r + YF_a$

$\frac{F_a}{F_r} \leq e$		$\frac{F_a}{F_r} > e$	
X	Y	X	Y
1	0	0.4	Y_2

static

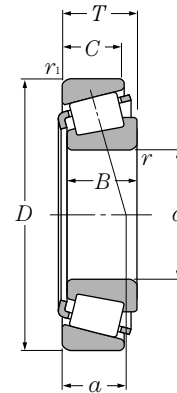
$P_{or} = 0.5F_r + Y_oF_a$

When $P_{or} < F_r$ use $P_{or} = F_r$

For values of e , Y_2 and Y_o see the table below.

Dimensions series to ISO	Abutment and fillet dimensions										Load center mm	Constant e	Axial load factors		Mass kg (approx.)		
	mm												a	e		Y_2	Y_o
	d_a min	d_b max	D_a max		D_b min	S_a min	S_b min	r_{as} max	r_{1as} max								
3EB	70	70	101.5	96	103	4	4.5	2	1.5	22	0.40	1.48	0.81	0.949			
3EC	70	69	101.5	95	104	4	5.5	2	1.5	25	0.40	1.48	0.81	1.18			
3EE	70	69	101.5	93	105	6	9	2	1.5	27.5	0.40	1.48	0.82	1.55			
2EE	72	70	103	98	109	6	7	2	2	28.5	0.33	1.80	0.99	1.86			
7FC	74	72	111	94	119	4	11	2.5	2.5	42	0.82	0.73	0.40	2			
2FB	74	77	118	112	120	4	7.5	2.5	2	26.5	0.35	1.74	0.96	2.06			
7FB	74	73	118	103	124	4	11.5	2.5	2	40.5	0.83	0.73	0.40	1.97			
2FD	74	74	118	107	120	4	11.5	2.5	2	32	0.35	1.74	0.96	3.02			
2BC	70.5	70	84.5	80	86.5	3	3	1	1	16.5	0.35	1.70	0.93	0.315			
4CC	73.5	72	91.5	90	97	4	5.5	1.5	1.5	22.5	0.46	1.31	0.72	0.63			
2CE	73.5	72	91.5	89	96	5	6	1.5	1.5	21.5	0.35	1.72	0.95	0.732			
3DE	73.5	73	101.5	96	106	6	7.5	1.5	1.5	26	0.39	1.55	0.85	1.28			
3EB	75	77	111.5	106	113	4	4.5	2	1.5	23.5	0.40	1.48	0.81	1.18			
3EC	75	75	111.5	104	115	4	5.5	2	1.5	27	0.40	1.48	0.81	1.58			
3EE	75	74	111.5	102	115	7	9	2	1.5	29.5	0.39	1.54	0.85	1.98			
2GB	79	83	128	122	130	4	8	2.5	2	28.5	0.35	1.74	0.96	2.55			
7GB	79	79	128	111	133	4	13	2.5	2	44	0.83	0.73	0.40	2.42			
2GD	79	80	128	117	130	4	12	2.5	2	34.5	0.35	1.74	0.96	3.66			
2BC	75.5	75	94.5	90	96	4	4	1	1	18	0.32	1.90	1.05	0.487			
4CC	78.5	78	101.5	98	105	5	6	1.5	1.5	24	0.43	1.38	0.76	0.848			
2CE	78.5	79	101.5	99	105	5	5.5	1.5	1.5	22.5	0.28	2.11	1.16	1.07			
3EB	80	81	116.5	110	118	4	5	2	1.5	25.5	0.42	1.43	0.79	1.26			
3EC	80	80	116.5	108	119	4	6	2	1.5	28.5	0.42	1.43	0.79	1.68			
3EE	80	79	116.5	107	120	7	9	2	1.5	31	0.41	1.47	0.81	2.1			
7FC	84	82	126	106	135	5	12	2.5	2.5	47.5	0.87	0.69	0.38	2.61			
2GB	84	89	138	130	140	4	8	2.5	2	30	0.35	1.74	0.96	3.06			
7GB	84	84	138	118	142	4	13	2.5	2	47	0.83	0.73	0.40	2.92			
2GD	84	86	138	125	140	4	12	2.5	2	36.5	0.35	1.74	0.96	4.46			
2BC	80.5	80	99.5	94	101.5	4	4	1	1	19	0.33	1.80	0.99	0.511			
4CC	83.5	83	106.5	103	110	5	6	1.5	1.5	25.5	0.46	1.31	0.72	0.909			
2CE	83.5	85	106.5	101	110.5	6	5.5	1.5	1.5	23	0.30	2.01	1.11	1.11			
4DB	85	85	121.5	115	124	4	5	2	1.5	27	0.44	1.38	0.76	1.41			
4DC	85	85	121.5	114	125	4	6	2	1.5	30	0.44	1.38	0.76	1.74			
3EE	85	83	121.5	111	125	7	10	2	1.5	32	0.43	1.40	0.77	2.2			
2GB	89	95	148	139	149	4	9	2.5	2	32	0.35	1.74	0.96	3.57			
7GB	89	91	148	127	151	6	14	2.5	2	50	0.83	0.73	0.40	3.47			

Metric system sizes

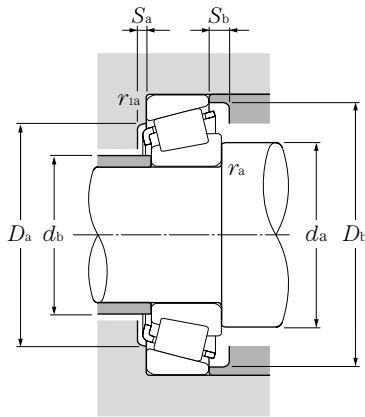


d 75 ~ 95mm

d	Boundary dimensions						Basic load ratings				Limiting speeds		Bearing numbers
	D	T	mm			dynamic	static	dynamic	static	rpm			
			B	C	$r_{s \min}$ ①	$r_{ls \min}$ ①	kN	C _{or}	kgf	C _r	C _{or}	grease	
75	160	58	55	45	3	2.5	355	470	36,000	47,500	2,400	3,200	32315U
80	110	20	20	16	1	1	72.0	121	7,350	12,400	3,000	4,000	32916XU
	125	29	29	22	1.5	1.5	139	216	14,200	22,000	2,800	3,700	32016XU
	125	36	36	29.5	1.5	1.5	173	284	17,600	29,000	2,800	3,700	33016U
	140	28.25	26	22	2.5	2	160	200	16,300	20,400	2,500	3,400	30216U
	140	35.25	33	28	2.5	2	199	265	20,300	27,000	2,500	3,400	32216U
	140	46	46	35	2.5	2	250	365	25,500	37,500	2,500	3,400	33216U
	170	42.5	39	33	3	2.5	291	350	29,700	36,000	2,300	3,000	30316U
	170	42.5	39	27	3	2.5	236	283	24,100	28,900	2,000	2,700	30316DU
	170	61.5	58	48	3	2.5	395	525	40,500	53,500	2,300	3,000	32316U
85	120	23	23	18	1.5	1.5	94.0	157	9,600	16,100	2,800	3,800	32917XU
	130	29	29	22	1.5	1.5	142	224	14,400	22,900	2,600	3,500	32017XU
	130	36	36	29.5	1.5	1.5	176	296	18,000	30,000	2,600	3,500	33017U
	150	30.5	28	24	2.5	2	183	232	18,600	23,600	2,400	3,200	30217U
	150	38.5	36	30	2.5	2	224	300	22,900	30,500	2,400	3,200	32217U
	150	49	49	37	2.5	2	284	420	29,000	43,000	2,400	3,200	33217U
	180	44.5	41	34	4	3	305	365	31,000	37,000	2,100	2,900	30317U
	180	44.5	41	28	4	3	247	293	25,200	29,900	1,900	2,500	30317DU
	180	63.5	60	49	4	3	405	525	41,000	53,500	2,100	2,900	32317U
90	125	23	23	18	1.5	1.5	97.5	168	9,950	17,100	2,700	3,600	32918XU
	140	32	32	24	2	1.5	168	270	17,200	27,600	2,500	3,300	32018XU
	140	39	39	32.5	2	1.5	215	360	21,900	36,500	2,500	3,300	33018U
	160	32.5	30	26	2.5	2	208	267	21,200	27,200	2,200	3,000	30218U
	160	42.5	40	34	2.5	2	262	360	26,700	36,500	2,200	3,000	32218U
	190	46.5	43	36	4	3	335	405	34,500	41,500	2,000	2,700	30318U
	190	46.5	43	30	4	3	270	320	27,600	33,000	1,800	2,400	30318DU
	190	67.5	64	53	4	3	450	595	46,000	60,500	2,000	2,700	32318U
95	130	23	23	18	1.5	1.5	101	178	10,300	18,200	2,500	3,400	32919XU
	145	32	32	24	2	1.5	171	280	17,500	28,600	2,300	3,100	32019XU
	145	39	39	32.5	2	1.5	219	375	22,400	38,000	2,300	3,100	33019U
	170	34.5	32	27	3	2.5	226	290	23,000	29,600	2,100	2,800	30219U
	170	45.5	43	37	3	2.5	299	415	30,500	42,500	2,100	2,800	32219U
	200	49.5	45	38	4	3	365	445	37,500	45,500	1,900	2,500	* 30319U
	200	49.5	45	38	3	3	315	365	32,500	37,500	1,900	2,500	30319^o
	200	49.5	45	32	4	3	296	355	30,000	36,500	1,700	2,200	30319DU

① Minimal allowable dimension for chamfer dimension r or r_1 .

② This bearing does not incorporate the subunit dimensions.



Equivalent bearing load

dynamic
 $P_r = XF_r + YF_a$

$\frac{F_a}{F_r} \leq e$		$\frac{F_a}{F_r} > e$	
X	Y	X	Y
1	0	0.4	Y_2

static

$P_{or} = 0.5F_r + Y_0F_a$

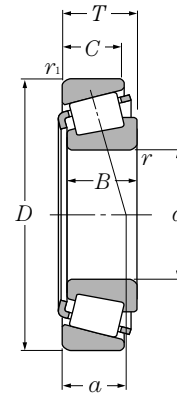
When $P_{or} < F_r$ use $P_{or} = F_r$

For values of e , Y_2 and Y_0 see the table below.

Dimensions series to ISO	Abutment and fillet dimensions									Load center mm	Constant e	Axial load factors		Mass kg (approx.)		
	mm											a	e		Y_2	Y_0
	d_a min	d_b max	D_a max	D_b min	S_a min	S_b min	r_{as} max	r_{1as} max								
2GD	89	91	148	133	149	4	13	2.5	2	39	0.35	1.74	0.96	5.35		
2BC	85.5	85	104.5	99	106.5	4	4	1	1	20	0.35	1.71	0.94	0.54		
3CC	88.5	89	116.5	112	120	6	7	1.5	1.5	27	0.42	1.42	0.78	1.28		
2CE	88.5	89	116.5	112	119	6	6.5	1.5	1.5	25	0.28	2.16	1.19	1.6		
3EB	92	91	130	124	132	4	6	2	2	27.5	0.42	1.43	0.79	1.72		
3EC	92	90	130	122	134	4	7	2	2	31	0.42	1.43	0.79	2.18		
3EE	92	89	130	119	135	7	11	2	2	35	0.43	1.41	0.78	2.92		
2GB	94	102	158	148	159	4	9.5	2.5	2	34	0.35	1.74	0.96	4.41		
7GB	94	97	158	134	159	6	15.5	2.5	2	53.5	0.83	0.73	0.40	4.11		
2GD	94	98	158	142	159	4	13.5	2.5	2	41.5	0.35	1.74	0.96	6.41		
2BC	93.5	92	111.5	111	115	4	5	1.5	1.5	21	0.33	1.83	1.01	0.773		
4CC	93.5	94	121.5	117	125	6	7	1.5	1.5	28.5	0.44	1.36	0.75	1.35		
2CE	93.5	94	121.5	118	125	6	6.5	1.5	1.5	26	0.29	2.06	1.13	1.7		
3EB	97	97	140	132	141	5	6.5	2	2	30	0.42	1.43	0.79	2.14		
3EC	97	96	140	130	142	5	8.5	2	2	33.5	0.42	1.43	0.79	2.75		
3EE	97	95	140	128	144	7	12	2	2	37.5	0.42	1.43	0.79	3.58		
2GB	103	107	166	156	167	5	10.5	3	2.5	35.5	0.35	1.74	0.96	5.2		
7GB	103	103	166	143	169	6	16.5	3	2.5	56	0.83	0.73	0.40	4.85		
2GD	103	102	166	150	167	5	14.5	3	2.5	43	0.35	1.74	0.96	7.15		
2BC	98.5	96	116.5	112.5	120.5	4	5	1.5	1.5	22	0.34	1.75	0.96	0.817		
3CC	100	100	131.5	125	134	6	8	2	1.5	30	0.42	1.42	0.78	1.79		
2CE	100	100	131.5	127	135	7	6.5	2	1.5	28	0.27	2.23	1.23	2.18		
3FB	102	103	150	140	150	5	6.5	2	2	32	0.42	1.43	0.79	2.66		
3FC	102	102	150	138	152	5	8.5	2	2	36	0.42	1.43	0.79	3.49		
2GB	108	113	176	165	177	5	10.5	3	2.5	37.5	0.35	1.74	0.96	6.03		
7GB	108	109	176	151	179	6	16.5	3	2.5	59	0.83	0.73	0.40	5.66		
2GD	108	108	176	157	177	5	14.5	3	2.5	45.5	0.35	1.74	0.96	8.57		
2BC	103.5	101	121.5	117	125.5	4	5	1.5	1.5	23.5	0.36	1.68	0.92	0.851		
4CC	105	105	136.5	130	140	6	8	2	1.5	31.5	0.44	1.36	0.75	1.83		
2CE	105	104	136.5	131	139	7	6.5	2	1.5	28.5	0.28	2.16	1.19	2.27		
3FB	109	110	158	149	159	5	7.5	2.5	2	34	0.42	1.43	0.79	3.07		
3FC	109	108	158	145	161	5	8.5	2.5	2	39	0.42	1.43	0.79	4.3		
2GB	113	118	186	172	186	5	11.5	3	2.5	40	0.35	1.74	0.96	6.98		
	113	118	186	172	186	5	11.5	3	2.5	40	0.35	1.73	0.95	6.58		
7GB	113	114	186	154	187	6	17.5	3	2.5	62.5	0.83	0.73	0.40	6.47		

Note: When selecting bearings with bearing numbers marked with " * ", please consult NTN Engineering.

Metric system sizes

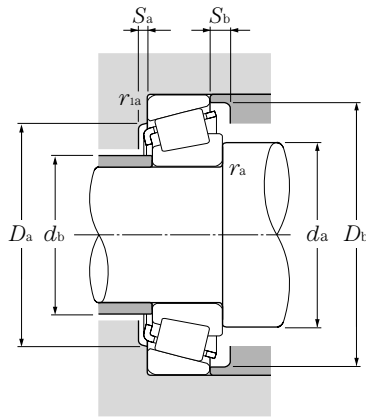


d 95 ~ 120mm

d	Boundary dimensions						Basic load ratings				Limiting speeds		Bearing numbers
	D	T	mm			dynamic	static	dynamic	static	rpm			
			B	C	$r_{s\ min}^{\text{①}}$	$r_{ls\ min}^{\text{①}}$	C_r	C_{or}	C_r	C_{or}	grease	oil	
95	200	71.5	67	55	4	3	505	670	51,500	68,500	1,900	2,500	32319U
100	140	25	25	20	1.5	1.5	121	206	12,300	21,000	2,400	3,200	* 32920XU
	140	25	24	20	1.5	1.5	97.5	162	9,950	16,500	2,400	3,200	32920 [®]
	145	24	22.5	17.5	3	3	107	153	10,900	15,600	1,800	2,400	4T-T4CB100
	150	32	32	24	2	1.5	170	281	17,300	28,600	2,200	3,000	32020XU
	150	39	39	32.5	2	1.5	224	390	22,800	39,500	2,200	3,000	33020U
	180	37	34	29	3	2.5	258	335	26,300	34,500	2,000	2,700	30220U
	180	49	46	39	3	2.5	330	465	33,500	47,500	2,000	2,700	32220U
	215	51.5	47	39	4	3	410	500	41,500	51,000	1,800	2,400	30320U
	215	51.5	47	39	3	3	345	400	35,000	40,500	1,800	2,400	30320 [®]
215	56.5	51	35	4	3	355	435	36,000	44,000	1,800	2,400	31320XU	
215	77.5	73	60	4	3	570	770	58,500	78,500	1,800	2,400	32320U	
105	145	25	25	20	1.5	1.5	126	219	12,800	22,400	2,300	3,000	32921XA [®]
	160	35	35	26	2.5	2	201	335	20,500	34,000	2,100	2,800	32021XU
	160	43	43	34	2.5	2	245	420	25,000	43,000	2,100	2,800	33021U
	190	39	36	30	3	2.5	287	380	29,300	38,500	1,900	2,500	30221U
	190	53	50	43	3	2.5	380	540	38,500	55,500	1,900	2,500	32221U
	225	53.5	49	41	4	3	435	530	44,500	54,500	1,700	2,300	* 30321U
	225	53.5	49	41	3	3	365	420	37,000	43,000	1,700	2,300	30321 [®]
	225	58	53	36	4	3	380	470	39,000	47,500	1,700	2,300	* 31321XU
225	81.5	77	63	4	3	610	825	62,500	84,500	1,700	2,300	32321U	
110	150	25	25	20	1.5	1.5	127	226	13,000	23,100	2,200	2,900	32922XA [®]
	170	38	38	29	2.5	2	236	390	24,000	39,500	2,000	2,700	32022XU
	170	47	47	37	2.5	2	288	500	29,400	51,000	2,000	2,700	33022U
	200	41	38	32	3	2.5	325	435	33,000	44,000	1,800	2,400	30222U
	200	56	53	46	3	2.5	420	605	43,000	62,000	1,800	2,400	32222U
	240	54.5	50	42	4	3	480	590	49,000	60,000	1,600	2,200	* 30322U
	240	54.5	50	42	3	3	400	465	40,500	47,000	1,600	2,200	30322 [®]
	240	63	57	38	4	3	430	535	44,000	54,500	1,600	2,200	31322XU
240	84.5	80	65	4	3	705	970	72,000	98,500	1,600	2,200	* 32322U	
240	84.5	80	65	3	3	620	830	63,500	84,500	1,600	2,200	32322 [®]	
120	165	29	29	23	1.5	1.5	162	294	16,500	30,000	2,000	2,600	* 32924XU
	165	29	27	23	1.5	1.5	118	205	12,000	20,900	2,000	2,600	32924 [®]
	180	38	38	29	2.5	2	245	420	25,000	43,000	1,800	2,500	32024XU
	215	43.5	40	34	3	2.5	345	470	35,500	48,000	1,700	2,200	30224U

① Minimal allowable dimension for chamfer dimension r or r_1 .

② This bearing does not incorporate the subunit dimensions.



Equivalent bearing load

dynamic
 $P_r = XF_r + YF_a$

$\frac{F_a}{F_r} \leq e$		$\frac{F_a}{F_r} > e$	
X	Y	X	Y
1	0	0.4	Y_2

static

$P_{or} = 0.5F_r + Y_0F_a$

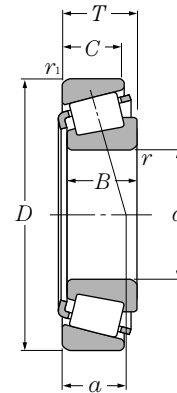
When $P_{or} < F_r$ use $P_{or} = F_r$

For values of e , Y_2 and Y_0 see the table below.

Dimensions series to ISO	Abutment and fillet dimensions									Load center mm	Constant e	Axial load factors		Mass kg (approx.)		
	mm											a	e		Y_2	Y_0
	d_a min	d_b max	D_a max	D_b min	S_a min	S_b min	r_{as} max	r_{1as} max								
2GD	113	113	186	166	186	5	16.5	3	2.5	49	0.35	1.74	0.96	10.1		
2CC	108.5	107.5	131.5	127.5	135.5	4	5	1.5	1.5	24.5	0.33	1.82	1.00	1.14		
	108.5	107.5	131.5	127.5	135.5	4	5	1.5	1.5	25	0.35	1.73	0.95	1.08		
4CB	114	109	131	130	140	4	6.5	2.5	2.5	30	0.47	1.27	0.70	1.15		
4CC	110	109	141.5	134	144	6	8	2	1.5	32.5	0.46	1.31	0.72	1.91		
2CE	110	108	141.5	135	143	7	6.5	2	1.5	29.5	0.29	2.09	1.15	2.37		
3FB	114	116	168	157	168	5	8	2.5	2	36	0.42	1.43	0.79	3.78		
3FC	114	114	168	154	171	5	10	2.5	2	41.5	0.42	1.43	0.79	5.12		
2GB	118	127	201	184	200	5	12.5	3	2.5	41.5	0.35	1.74	0.96	8.56		
	118	127	201	184	200	5	12.5	3	2.5	42	0.35	1.73	0.95	7.72		
7GB	118	121	201	168	202	7	21.5	3	2.5	69	0.83	0.73	0.40	8.67		
2GD	118	121	201	177	200	5	17.5	3	2.5	53	0.35	1.74	0.96	12.7		
	113.5	113.5	136.5	131.5	140.5	5	5	1.5	1.5	25	0.34	1.76	0.97	1.20		
4DC	117	116	150	143	154	6	9	2	2	34.5	0.44	1.35	0.74	2.42		
2DE	117	116	150	145	153	7	9	2	2	31	0.28	2.12	1.17	3.00		
3FB	119	122	178	165	178	6	9	2.5	2	38	0.42	1.43	0.79	4.39		
3FC	119	119	178	161	180	6	10	2.5	2	44	0.42	1.43	0.79	6.25		
2GB	123	132	211	193	209	6	12.5	3	2.5	43.5	0.35	1.74	0.96	9.79		
	123	132	211	193	209	6	12.5	3	2.5	43.5	0.35	1.73	0.95	8.93		
7GB	123	126	211	176	211	7	22	3	2.5	71.5	0.83	0.73	0.40	9.68		
2GD	123	128	211	185	209	6	18.5	3	2.5	55	0.35	1.74	0.96	14.5		
	118.5	117.5	141.5	137	145.5	5	5	1.5	1.5	26.5	0.36	1.69	0.93	1.23		
4DC	122	122	160	152	163	7	9	2	2	36.5	0.43	1.39	0.77	3.07		
2DE	122	121	160	152	161	7	10	2	2	33.5	0.29	2.09	1.15	3.80		
3FB	124	129	188	174	188	6	9	2.5	2	40	0.42	1.43	0.79	5.18		
3FC	124	126	188	170	190	6	10	2.5	2	47	0.42	1.43	0.79	7.43		
2GB	128	141	226	206	222	6	12.5	3	2.5	45.5	0.35	1.74	0.96	11.4		
	128	141	226	206	222	6	12.5	3	2.5	44	0.35	1.73	0.95	10.5		
7GB	128	135	226	188	224	7	25	3	2.5	76	0.83	0.73	0.40	11.9		
2GD	128	135	226	198	222	6	19.5	3	2.5	57.5	0.35	1.74	0.96	18.0		
	128	135	226	198	222	6.5	19.5	3	2.5	56	0.35	1.73	0.95	16.9		
2CC	128.5	128.5	156.5	150	160	6	6	1.5	1.5	29.5	0.35	1.72	0.95	1.77		
	128.5	130.5	156.5	147.5	159.5	6	6	1.5	1.5	31	0.37	1.60	0.88	1.63		
4DC	132	131	170	161	173	7	9	2	2	39	0.46	1.31	0.72	3.25		
4FB	134	140	203	187	203	6	9.5	2.5	2	44	0.44	1.38	0.76	6.23		

Note: When selecting bearings with bearing numbers marked with " * ", please consult NTN Engineering.

Metric system sizes

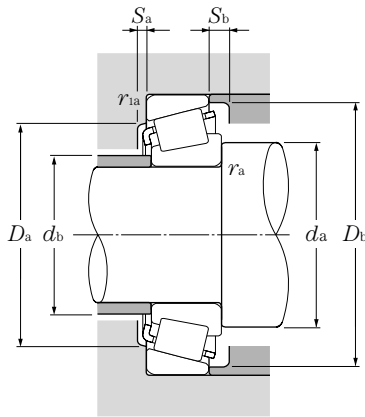


d 120 ~ 170mm

d	Boundary dimensions						Basic load ratings				Limiting speeds		Bearing numbers
	D	T	mm			dynamic	static	dynamic	static	rpm			
			B	C	$r_{s\ min}^{\text{①}}$	$r_{ls\ min}^{\text{①}}$	C_r	C_{or}	C_r	C_{or}	grease	oil	
120	215	61.5	58	50	3	2.5	460	680	47,000	69,500	1,700	2,200	32224U
	260	59.5	55	46	4	3	560	695	57,000	71,000	1,500	2,000	30324U
	260	59.5	55	46	3	3	465	550	47,500	56,000	1,500	2,000	30324 [®]
	260	68	62	42	4	3	515	655	52,500	67,000	1,500	2,000	31324XU
	260	90.5	86	69	4	3	815	1,130	83,000	116,000	1,500	2,000	32324U
130	180	32	32	25	2	1.5	194	350	19,800	36,000	1,800	2,400	* 32926XU
	180	32	30	26	2	2	142	252	14,500	25,700	1,800	2,400	32926 [®]
	200	45	45	34	2.5	2	320	545	32,500	55,500	1,700	2,200	32026XU
	230	43.75	40	34	4	3	375	505	38,000	51,500	1,500	2,000	30226U
	230	67.75	64	54	4	3	530	815	54,000	83,000	1,500	2,000	32226U
	280	63.75	58	49	5	4	650	830	66,000	84,500	1,400	1,800	30326U
280	72	66	44	5	4	600	780	61,500	79,500	1,400	1,800	31326XU	
140	190	32	32	25	2	1.5	200	375	20,400	38,000	1,700	2,200	32928XU
	210	45	45	34	2.5	2	330	580	33,500	59,500	1,600	2,100	32028XU
	250	45.75	42	36	4	3	420	570	43,000	58,500	1,400	1,900	* 30228U
	250	45.75	42	36	3	3	375	485	38,000	49,500	1,400	1,900	30228 [®]
	250	71.75	68	58	4	3	610	920	62,500	94,000	1,400	1,900	32228U
	300	67.75	62	53	5	4	735	950	75,000	97,000	1,300	1,700	* 30328U
	300	67.75	62	53	4	4	640	780	65,000	80,000	1,300	1,700	30328 [®]
300	77	70	47	5	4	685	905	70,000	92,500	1,300	1,700	31328XU	
150	210	38	38	30	2.5	2	268	490	27,300	50,000	1,600	2,100	32930XU
	225	48	48	36	3	2.5	370	655	37,500	67,000	1,400	1,900	32030XU
	270	49	45	38	4	3	450	605	46,000	61,500	1,300	1,700	30230U
	270	77	73	60	4	3	700	1 070	71,500	109,000	1,300	1,700	32230U
	320	72	65	55	5	4	825	1 070	84,000	109,000	1,200	1,600	* 30330U
	320	72	65	55	4	4	680	875	69,500	89,000	1,200	1,600	30330 [®]
320	82	75	50	5	4	775	1,030	79,000	105,000	1,200	1,600	31330XU	
160	220	38	38	30	2.5	2	276	520	28,200	53,000	1,500	1,900	32932XU
	240	51	51	38	3	2.5	435	790	44,500	80,500	1,400	1,800	32032XU
	290	52	48	40	4	3	525	720	53,500	73,500	1,200	1,600	30232U
	290	84	80	67	4	3	890	1,420	90,500	145,000	1,200	1,600	32232U
	340	75	68	58	5	4	915	1,200	93,500	122,000	1,100	1,500	* 30332U
	340	75	68	58	4	4	755	975	77,000	99,500	1,100	1,500	30332 [®]
170	230	38	38	30	2.5	2	286	560	29,200	57,000	1,400	1,800	32934XU

① Minimal allowable dimension for chamfer dimension r or r_1 .

② This bearing does not incorporate the subunit dimensions.



Equivalent bearing load

dynamic
 $P_r = XF_r + YF_a$

$\frac{F_a}{F_r} \leq e$		$\frac{F_a}{F_r} > e$	
X	Y	X	Y
1	0	0.4	Y_2

static

$P_{or} = 0.5F_r + Y_0F_a$

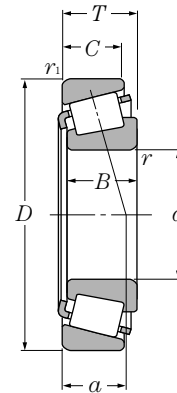
When $P_{or} < F_r$ use $P_{or} = F_r$

For values of e , Y_2 and Y_0 see the table below.

Dimensions series to ISO	Abutment and fillet dimensions										Load center mm	Constant e	Axial load factors		Mass kg (approx.)		
	mm												a	e		Y_2	Y_0
	d_a min	d_b max	D_a max	D_b min	S_a min	S_b min	r_{as} max	r_{1as} max	d_a min	d_b max							
4FD	134	136	203	181	204	6	11.5	2.5	2	51.5	0.44	1.38	0.76	9.08			
2GB	138	152	246	221	239	6	13.5	3	2.5	49	0.35	1.74	0.96	14.2			
7GB	138	145	246	203	244	9	26	3	2.5	82.5	0.83	0.73	0.40	15.4			
2GD	138	145	246	213	239	6	21.5	3	2.5	61.5	0.35	1.74	0.96	22.4			
2CC	140	139	171.5	163.5	174	6	7	2	1.5	31.5	0.34	1.77	0.97	2.36			
4EC	142	144	190	178	192	8	11	2	2	43.5	0.43	1.38	0.76	4.96			
4FB	148	152	216	203	218	7	9.5	3	2.5	45.5	0.44	1.38	0.76	7.25			
4FD	148	146	216	193	219	7	13.5	3	2.5	57	0.44	1.38	0.76	11.2			
2GB	152	164	262	239	255	8	14.5	4	3	53.5	0.35	1.74	0.96	17.4			
7GB	152	152	262	218	261	9	28	4	3	87.5	0.83	0.73	0.40	19			
2CC	150	150	181.5	177	184	6	6	2	1.5	34	0.36	1.67	0.92	2.51			
4DC	152	153	200	187	202	8	11	2	2	46	0.46	1.31	0.72	5.28			
4FB	158	163	236	219	237	7	9.5	3	2.5	48.5	0.44	1.38	0.76	9.26			
4FD	158	158	236	210	238	9	13.5	3	2.5	61	0.44	1.38	0.76	14.1			
2GB	162	179	282	251	273	9	14.5	4	3	56.5	0.35	1.74	0.96	21.2			
7GB	162	165	282	234	280	9	30	4	3	94	0.83	0.73	0.40	23			
2DC	162	162	200	192	202	7	8	2	2	36.5	0.33	1.83	1.01	3.92			
4EC	164	164	213	200	216	8	12	2.5	2	49.5	0.46	1.31	0.72	6.37			
4GB	168	175	256	234	255	7	11	3	2.5	51.5	0.44	1.38	0.76	11.2			
4GD	168	170	256	226	254	8	17	3	2.5	64.5	0.44	1.38	0.76	18.2			
2GB	172	193	302	269	292	8	17	4	3	61	0.35	1.74	0.96	25.5			
7GB	172	193	302	269	292	8	17	4	3	62.5	0.37	1.60	0.88	24.7			
7GB	172	176	302	250	302	9	32	4	3	100.5	0.83	0.73	0.40	27.7			
2DC	172	170.5	210	199	213.5	7	8	2	2	38.5	0.35	1.73	0.95	4.15			
4EC	174	175	228	213	231	8	13	2.5	2	52.5	0.46	1.31	0.72	7.8			
4GB	178	189	276	252	272	8	12	3	2.5	55.5	0.44	1.38	0.76	12.9			
4GD	178	182	276	242	275	10	17	3	2.5	70	0.44	1.38	0.76	23.5			
2GB	182	205	322	286	310	10	17	4	3	64	0.35	1.74	0.96	29.9			
7GB	182	205	322	286	311	10	17	4	3	65.5	0.37	1.60	0.88	29.2			
3DC	182	183	220	213	222	7	8	2	2	42.5	0.38	1.57	0.86	4.4			

Note: When selecting bearings with bearing numbers marked with " * ", please consult NTN Engineering.

Metric system sizes

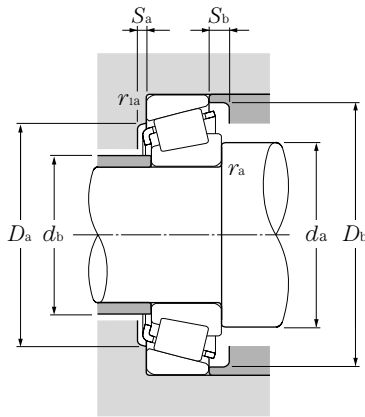


d 170 ~ 300mm

d	Boundary dimensions						Basic load ratings				Limiting speeds		Bearing numbers
	D	T	mm			dynamic	static	dynamic	static	rpm			
			B	C	$r_{s\ min}^{\text{①}}$	$r_{ls\ min}^{\text{①}}$	C_r	C_{or}	C_r	C_{or}	grease	oil	
170	260	57	57	43	3	2.5	500	895	51,000	91,000	1,300	1,700	32034XU
	310	57	52	43	5	4	610	845	62,000	86,500	1,100	1,500	30234U
	310	91	86	71	5	4	1,000	1,600	102,000	163,000	1,100	1,500	32234U
	360	80	72	62	5	4	1,010	1,320	103,000	135,000	1,000	1,400	* 30334U
	360	80	72	62	4	4	845	1,100	86,000	113,000	1,000	1,400	30334 ^②
180	250	45	45	34	2.5	2	350	700	36,000	71,500	1,300	1,700	32936XU
	280	64	64	48	3	2.5	645	1,170	66,000	119,000	1,200	1,600	32036XUE1
	320	57	52	43	5	4	630	890	64,000	91,000	1,100	1,400	30236U
	320	91	86	71	5	4	1,030	1,690	105,000	172,000	1,100	1,400	32236U
190	260	45	45	34	2.5	2	355	710	36,000	72,000	1,200	1,600	* 32938XU
	260	45	42	36	2.5	2.5	280	525	28,600	53,500	1,200	1,600	32938 ^②
	290	64	64	48	3	2.5	655	1,210	67,000	124,000	1,100	1,500	32038XUE1
	340	60	55	46	5	4	715	1,000	73,000	102,000	1,000	1,300	30238U
	340	97	92	75	5	4	1,150	1,850	117,000	189,000	1,000	1,300	* 32238U
	340	97	92	75	4	4	1,000	1,670	102,000	171,000	1,000	1,300	32238 ^②
200	280	51	51	39	3	2.5	485	895	49,000	91,000	1,100	1,500	32940XUE1
	310	70	70	53	3	2.5	800	1,470	81,500	149,000	1,100	1,400	32040XUE1
	360	64	58	48	5	4	785	1,110	80,000	113,000	950	1,300	30240U
	360	104	98	82	5	4	1,320	2,130	134,000	217,000	950	1,300	* 32240U
	360	104	98	82	4	4	1,150	1,970	118,000	201,000	950	1,300	32240 ^②
220	300	51	51	39	3	2.5	480	950	49,000	97,000	1,000	1,400	* 32944XUE1
	300	51	48	41	2.5	2.5	345	670	35,500	68,500	1,000	1,400	32944E1 ^②
	340	76	76	57	4	3	920	1,690	94,000	173,000	960	1,300	32044XU
240	320	51	51	39	3	2.5	490	1,000	50,000	102,000	940	1,200	32948XUE1
	360	76	76	57	4	3	930	1,760	95,000	179,000	870	1,200	32048XU
260	360	63.5	63.5	48	3	2.5	705	1,430	72,000	146,000	860	1,100	32952XUE1
	400	87	87	65	5	4	1,200	2,270	123,000	231,000	800	1,100	32052XU
280	380	63.5	63.5	48	3	2.5	725	1,520	74,000	155,000	790	1,100	32956XUE1
	420	87	87	65	5	4	1,220	2,350	125,000	240,000	740	980	32056XU
300	420	76	76	57	4	3	1,010	2,090	103,000	213,000	720	970	32960XUE1
	460	100	100	74	5	4	1,490	2,830	152,000	289,000	680	910	32060XU

① Minimal allowable dimension for chamfer dimension r or r_1 .

② This bearing does not incorporate the subunit dimensions.



Equivalent bearing load

dynamic
 $P_r = XF_r + YF_a$

$\frac{F_a}{F_r} \leq e$		$\frac{F_a}{F_r} > e$	
X	Y	X	Y
1	0	0.4	Y_2

static

$$P_{or} = 0.5F_r + Y_0F_a$$

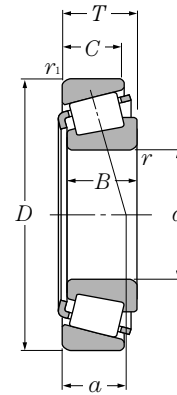
When $P_{or} < F_r$ use $P_{or} = F_r$

For values of e , Y_2 and Y_0 see the table below.

Dimensions series to ISO	Abutment and fillet dimensions									Load center mm	Constant e	Axial load factors		Mass kg (approx.)		
	mm											a	e		Y_2	Y_0
	d_a min	d_b max	D_a max	D_b min	S_a min	S_b min	r_{as} max	r_{1as} max								
4EC	184	187	248	230	249	10	14	2.5	2	56	0.44	1.35	0.74	10.5		
4GB	192	203	292	266	288	8	14	4	3	60.5	0.44	1.38	0.76	17		
4GD	192	201	292	258	293	10	20	4	3	75	0.44	1.38	0.76	28.7		
2GB	192	221	342	303	329	10	18	4	3	68	0.35	1.74	0.96	35.3		
	192	215.5	342	297	327	10	18	4	3	69.5	0.37	1.60	0.88	34.8		
4DC	192	193	240	225	241	8	11	2	2	54	0.48	1.25	0.69	6.54		
3FD	194	197.5	268	243	269	10	16	2.5	2	59.5	0.42	1.42	0.78	14.5		
4GB	202	211	302	274	297	9	14	4	3	63	0.45	1.33	0.73	17.7		
4GD	202	204	302	267	305	10	20	4	3	77.5	0.45	1.33	0.73	30.7		
4DC	202	204	250	235	251	8	11	2	2	55	0.48	1.26	0.69	6.77		
	202	204	248	235	251	8	9	2	2	48.5	0.37	1.60	0.88	6.43		
4FD	204	209	278	257	279	10	16	2.5	2	62.5	0.44	1.36	0.75	15.1		
4GB	212	228	322	295	316	9	14	4	3	64	0.44	1.38	0.76	20.8		
4GD	212	216	322	282	323	11	22	4	3	82	0.44	1.38	0.76	36.1		
	212	216	322	286	323	11	22	4	3	87.5	0.49	1.23	0.68	33.3		
3EC	214	214	268	254	271	9	12	2.5	2	53.5	0.39	1.52	0.84	8.88		
4FD	214	221	298	273	297	11	17	2.5	2	66.5	0.43	1.39	0.77	19.3		
4GB	222	242	342	311	336	10	16	4	3	70	0.44	1.38	0.76	25.4		
3GD	222	230	342	298	340	11	22	4	3	85	0.41	1.48	0.81	43.6		
	222	230	342	302	344	11	22	4	3	91.5	0.49	1.23	0.68	43.6		
3EC	234	234	288	271	290	10	12	2.5	2	59.5	0.43	1.41	0.78	10.2		
	234	235	288	274	290	10	10	2.5	2	57	0.39	1.55	0.85	9.63		
4FD	238	243	326	300	326	12	19	3	2.5	72.5	0.43	1.39	0.77	25		
4EC	254	254	308	290	311	10	12	2.5	2	65.5	0.46	1.31	0.72	10.9		
4FD	258	261	346	318	346	12	19	3	2.5	78	0.46	1.31	0.72	26.8		
3EC	274	279	348	325	347	11	15	2.5	2	69.5	0.41	1.48	0.81	18.8		
4FC	282	287	382	352	383	14	22	4	3	85.5	0.43	1.38	0.76	39.4		
4EC	294	298	368	344	368	11	15	2.5	2	75	0.43	1.39	0.76	20		
4FC	302	305	402	370	402	14	22	4	3	90.5	0.46	1.31	0.72	41.8		
3FD	318	324	406	379	405	13	19	3	2.5	80	0.39	1.52	0.84	31.4		
4GD	322	329	442	404	439	15	26	4	3	98	0.43	1.38	0.76	59.6		

Note: When selecting bearings with bearing numbers marked with " * ", please consult NTN Engineering.

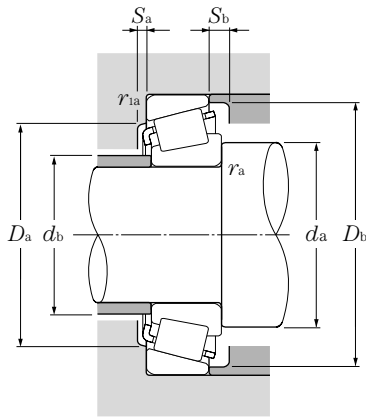
Metric system sizes



d 320 ~ 360mm

d	Boundary dimensions						Basic load ratings				Limiting speeds		Bearing numbers
	D	T	mm			dynamic	static	dynamic	static	rpm			
			B	C	r _{s min} ①	r _{ls min} ①	C _r	C _{or}	C _r	C _{or}	grease	oil	
320	440	76	76	57	4	3	1,010	2,150	103,000	219,000	670	900	* 32964XUE1
	440	76	72	63	3	3	865	1,880	88,000	192,000	670	900	32964E1 ^②
	480	100	100	74	5	4	1,520	2,940	155,000	300,000	630	840	32064XU
340	460	76	76	57	4	3	1,040	2,270	106,000	232,000	630	840	* 32968XUE1
	460	76	72	63	3	3	910	1,980	93,000	201,000	630	900	32968E1 ^②
360	480	76	76	57	4	3	1,050	2,330	107,000	238,000	590	780	32972XUE1

① Minimal allowable dimension for chamfer dimension r or r₁.
 ② This bearing does not incorporate the subunit dimensions.



Equivalent bearing load

dynamic
 $P_r = XF_r + YF_a$

$\frac{F_a}{F_r} \leq e$		$\frac{F_a}{F_r} > e$	
X	Y	X	Y
1	0	0.4	Y_2

static

$P_{or} = 0.5F_r + Y_oF_a$

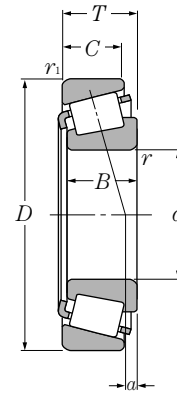
When $P_{or} < F_r$ use $P_{or} = F_r$

For values of e , Y_2 and Y_o see the table below.

Dimensions series to ISO	Abutment and fillet dimensions									Load center mm	Constant e	Axial load factors		Mass kg (approx.)
	d_a min	d_b max	D_a max	D_a min	D_b min	S_a min	S_b min	r_{as} max	r_{1as} max			Y_2	Y_o	
3FD	338	344	426	398	426	13	19	3	2.5	85	0.42	1.44	0.79	33.1
	338	344	426	398	425	13	13	3	2.5	85	0.39	1.55	0.85	31.7
4GD	342	344.5	462	418.5	463	15	26	4	3	104	0.46	1.31	0.72	60.2
4FD	358	362	446	417	446	13	19	3	2.5	90.5	0.44	1.37	0.75	34.9
	358	362	446	414	445.5	13	13	3	2.5	87	0.39	1.55	0.85	36.0
4FD	378	381	466	436	466	13	19	3	2.5	96.5	0.46	1.31	0.72	36.6

Note: When selecting bearings with bearing numbers marked with "*", please consult NTN Engineering.

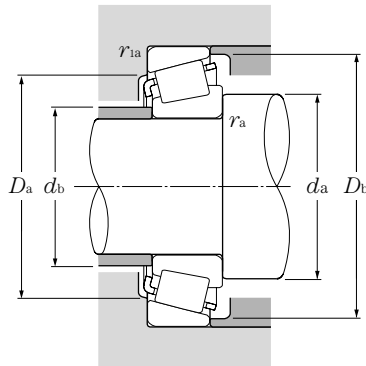
Inch system sizes



d 12.700 ~ 22.225mm

d	Boundary dimensions				Basic load ratings				Limiting speeds	
	D	T	B	C	dynamic static	dynamic static	dynamic static	dynamic static	grease	oil
	mm				kN		kgf		rpm	
	D	T	B	C	C_r	C_{or}	C_r	C_{or}	grease	oil
12.700	34.988	10.998	10.988	8.730	12.3	11.6	1,260	1,180	12,000	16,000
14.989	34.988	10.998	10.988	8.730	12.3	11.6	1,260	1,180	12,000	16,000
15.875	41.275	14.288	14.681	11.112	20.3	18.7	2,070	1,910	10,000	13,000
	42.862	14.288	14.288	9.525	17.6	17.5	1,800	1,790	8,700	12,000
	42.862	16.670	16.670	13.495	26.7	26.0	2,720	2,650	9,800	13,000
	47.000	14.381	14.381	11.112	24.0	24.2	2,440	2,460	8,600	11,000
	49.225	19.845	21.539	14.288	38.5	39.0	3,900	3,950	8,500	11,000
16.993	47.000	14.381	14.381	11.112	24.0	24.2	2,440	2,460	8,600	11,000
17.462	39.878	13.843	14.605	10.668	23.8	24.2	2,420	2,470	10,000	13,000
19.050	39.992	12.014	11.153	9.525	12.8	12.8	1,310	1,300	10,000	13,000
	45.237	15.494	16.637	12.065	28.3	28.6	2,880	2,920	8,900	12,000
	47.000	14.381	14.381	11.112	24.0	24.2	2,440	2,460	8,600	11,000
	49.225	18.034	19.050	14.288	38.5	39.0	3,900	3,950	8,500	11,000
	49.225	19.845	21.539	14.288	38.5	39.0	3,900	3,950	8,500	11,000
	49.225	21.209	19.050	17.462	38.5	39.0	3,900	3,950	8,500	11,000
	53.975	22.225	21.839	15.875	40.0	39.0	4,100	3,950	8,000	11,000
56.896	19.368	19.837	15.875	42.5	46.5	4,350	4,750	7,200	9,600	
19.987	47.000	14.381	14.381	11.112	24.0	24.2	2,440	2,460	8,600	11,000
20.000	50.005	13.495	14.260	9.525	26.0	27.9	2,650	2,850	7,500	10,000
20.625	49.225	19.845	21.539	14.288	38.5	39.0	3,900	3,950	8,500	11,000
20.638	49.225	19.845	19.845	15.875	37.5	39.0	3,800	3,950	8,200	11,000
21.430	50.005	17.526	18.288	13.970	38.0	39.0	3,850	3,950	8,000	11,000
21.986	45.974	15.494	16.637	12.065	29.6	34.0	3,000	3,450	8,400	11,000
22.225	50.005	13.495	14.260	9.525	26.0	27.9	2,650	2,850	7,500	10,000
	50.005	17.526	18.288	13.970	38.0	39.0	3,850	3,950	8,000	11,000
	52.388	19.368	20.168	14.288	40.5	43.0	4,150	4,350	7,600	10,000
	53.975	19.368	20.168	14.288	40.5	43.0	4,150	4,350	7,600	10,000

Note: 1. With regard to the chamfer dimensions on the back face of the inner and outer rings, installation dimensions r_{is} and r_{os} are larger than the maximum value.
 2. For the inner bore diameter of bearings with bearing numbers marked "+" (inner ring) or "++" (outer ring), this value applies only to high precision class types, Class 4 and 2.



Equivalent bearing load dynamic

$$P_r = XF_r + YF_a$$

$\frac{F_a}{F_r} \leq e$		$\frac{F_a}{F_r} > e$	
X	Y	X	Y
1	0	0.4	Y_2

static

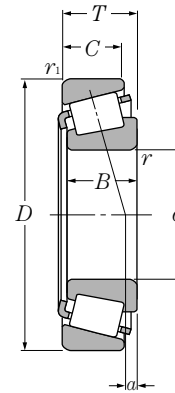
$$P_{or} = 0.5F_r + Y_0F_a$$

When $P_{or} < F_r$ use $P_{or} = F_r$

For values of e , Y_2 and Y_0 see the table below.

Bearing numbers	Abutment and fillet dimensions						Load center mm	Constant	Axial load factors		Mass kg		
	mm								a	e		Y_2	Y_0
	d_a	d_b	D_a	D_b	r_{as} max	r_{1as} max							
4T-A4050/A4138	18.5	17	29	32	1.3	1.3	2.5	0.45	1.32	0.73	0.053		
4T-A4059†/A4138	19.5	19	29	32	0.8	1.3	2.5	0.45	1.32	0.73	0.049		
4T-03062/03162	21.5	20	34	37.5	1.3	2	5.4	0.31	1.93	1.06	0.092		
4T-11590/11520	24.5	22.5	34.5	39.5	1.5	1.5	1.2	0.70	0.85	0.47	0.103		
4T-17580/17520	23	21	36.5	39	1.5	1.5	5.8	0.33	1.81	1.00	0.122		
4T-05062/05185	23.5	21	40.5	42.5	1.5	1.3	4.2	0.36	1.68	0.92	0.131		
4T-09062/09195	22	21.5	42	44.5	0.8	1.3	9.4	0.27	2.26	1.24	0.203		
4T-05066/05185	24.5	22	40.5	42.5	1.5	1.3	4.2	0.36	1.68	0.92	0.127		
4T-LM11749/LM11710	23	21.5	34	37	1.3	1.3	5.3	0.29	2.10	1.15	0.084		
4T-A6075/A6157	24	23	34	37	1	1.3	1.5	0.53	1.14	0.63	0.065		
4T-LM11949/LM11910	28	23.5	39.5	41.5	1.3	1.3	5.6	0.30	2.00	1.10	0.122		
4T-05075/05185	25	23.5	40.5	42.5	1.3	1.3	4.2	0.36	1.68	0.92	0.121		
4T-09067/09195	25.5	24	42	44.5	1.3	1.3	7.6	0.27	2.26	1.24	0.179		
4T-09078/09195	25.5	24	42	44.5	1.3	1.3	9.4	0.27	2.26	1.24	0.188		
4T-09067/09196	25.5	24	41.5	44.5	1.3	1.5	7.6	0.27	2.26	1.24	0.198		
4T-21075/21212††	31.5	26	43	50	1.5	2.3	5.6	0.59	1.02	0.56	0.248		
4T-1775/1729	27	25	49	51	1.5	1.3	6.5	0.31	1.95	1.07	0.272		
4T-05079†/05185	26.5	24	40.5	42.5	1.5	1.3	4.2	0.36	1.68	0.92	0.117		
4T-07079/07196	27.5	26	44.5	47	1.5	1	3.0	0.40	1.49	0.82	0.138		
4T-09081/09195	27.5	25.5	42	44.5	1.5	1.3	9.4	0.27	2.26	1.24	0.179		
4T-12580/12520	28.5	26	42.5	45.5	1.5	1.5	7.1	0.32	1.86	1.02	0.182		
4T-M12649/M12610	29	25.5	44	46	1.3	1.3	6.4	0.28	2.16	1.19	0.169		
4T-LM12749†/LM12711††	27.5	26	40	42.5	1.3	1.3	5.4	0.31	1.96	1.08	0.123		
4T-07087/07196	28.5	27	44.5	47	1.3	1	3.0	0.40	1.49	0.82	0.13		
4T-M12648/M12610	28.5	26.5	44	46	1.3	1.3	6.4	0.28	2.16	1.19	0.165		
4T-1380/1328	29.5	27	45	48.5	1.5	1.5	7.4	0.29	2.05	1.13	0.2		
4T-1380/1329††	29.5	27	46	49	1.5	1.5	7.4	0.29	2.05	1.13	0.215		

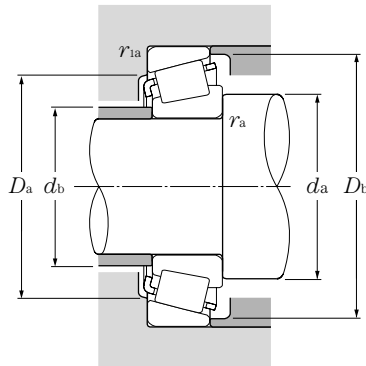
Inch system sizes



d 22.225 ~ 28.575mm

d	Boundary dimensions				Basic load ratings				Limiting speeds	
	D	T	B	C	dynamic static	dynamic static	dynamic static	dynamic static	grease	oil
	mm				kN		kgf		rpm	
	D	T	B	C	C_r	C_{or}	C_r	C_{or}	grease	oil
22.225	56.896	19.368	19.837	15.875	42.5	46.5	4,350	4,750	7,200	9,600
	57.150	22.225	22.225	17.462	47.0	49.5	4,800	5,050	7,100	9,500
22.606	47.000	15.500	15.500	12.000	27.5	32.5	2,800	3,300	8,200	11,000
23.812	50.005	13.495	14.260	9.525	26.0	27.9	2,650	2,850	7,500	10,000
	50.292	14.224	14.732	10.668	28.8	34.0	2,940	3,450	7,400	9,900
	56.896	19.368	19.837	15.875	42.5	46.5	4,350	4,750	7,200	9,600
24.981	50.005	13.495	14.260	9.525	26.0	27.9	2,650	2,850	7,500	10,000
25.000	50.005	13.495	14.260	9.525	26.0	27.9	2,650	2,850	7,500	10,000
25.159	50.005	13.495	14.260	9.525	26.0	27.9	2,650	2,850	7,500	10,000
25.400	50.005	13.495	14.260	9.525	26.0	27.9	2,650	2,850	7,500	10,000
	50.005	13.495	14.260	9.525	26.0	27.9	2,650	2,850	7,500	10,000
	50.292	14.224	14.732	10.668	28.8	34.0	2,940	3,450	7,400	9,900
	51.994	15.011	14.260	12.700	26.0	27.9	2,650	2,850	7,500	10,000
	56.896	19.368	19.837	15.875	42.5	46.5	4,350	4,750	7,200	9,600
	57.150	19.431	19.431	14.732	42.0	48.5	4,300	4,950	6,900	9,200
	61.912	19.050	20.638	14.288	46.5	54.0	4,750	5,500	6,100	8,200
	62.000	19.050	20.638	14.288	46.5	54.0	4,750	5,500	6,100	8,200
	62.000	19.050	20.638	14.288	46.5	54.0	4,750	5,500	6,100	8,200
	64.292	21.433	21.433	16.670	51.5	64.5	5,250	6,600	6,100	8,100
65.088	22.225	21.463	15.875	47.0	50.5	4,800	5,150	5,700	7,600	
66.421	23.812	25.433	19.050	64.5	72.5	6,550	7,400	6,200	8,200	
26.157	62.000	19.050	20.638	14.288	46.5	54.0	4,750	5,500	6,100	8,200
26.162	66.421	23.812	25.433	19.050	64.5	72.5	6,550	7,400	6,200	8,200
26.988	50.292	14.224	14.732	10.668	28.8	34.0	2,940	3,450	7,400	9,900
	60.325	19.842	17.462	15.875	39.5	45.5	4,050	4,650	6,700	8,900
	62.000	19.050	20.638	14.288	46.5	54.0	4,750	5,500	6,100	8,200
	66.421	23.812	25.433	19.050	64.5	72.5	6,550	7,400	6,200	8,200
28.575	56.896	19.845	19.355	15.875	40.5	44.5	4,150	4,550	6,700	8,900
	57.150	17.462	17.462	13.495	39.5	45.5	4,050	4,650	6,700	8,900

Note: 1. With regard to the chamfer dimensions on the back face of the inner and outer rings, installation dimensions $r_{i\max}$ and $r_{o\max}$ are larger than the maximum value.
 2. For the inner bore diameter of bearings with bearing numbers marked "+" (inner ring), this value applies only to high precision class types, Class 4 and 2.



Equivalent bearing load dynamic

$$P_r = X F_r + Y F_a$$

$\frac{F_a}{F_r}$	e	$\frac{F_a}{F_r} > e$	
X	Y	X	Y
1	0	0.4	Y_2

static

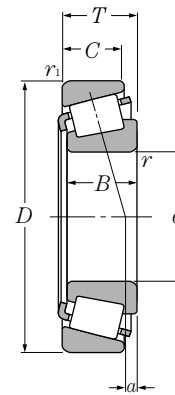
$$P_{or} = 0.5 F_r + Y_0 F_a$$

When $P_{or} < F_r$ use $P_{or} = F_r$

For values of e , Y_2 and Y_0 see the table below.

Bearing numbers	Abutment and fillet dimensions						Load center mm	Constant e	Axial load factors		Mass kg (approx.)
	mm								a	e	
	d_a	d_b	D_a	D_b	r_{as} max	r_{1as} max					
4T-1755/1729	29	27.5	49	51	1.3	1.3	6.5	0.31	1.95	1.07	0.256
4T-1280/1220	29.5	29	49	52	0.8	1.5	7.1	0.35	1.73	0.95	0.286
4T-LM72849/LM72810	30	28	40.5	44	1.5	1	3.0	0.47	1.27	0.70	0.125
4T-07093/07196	30.5	28.5	44.5	47	1.5	1	3.0	0.40	1.49	0.82	0.123
4T-L44640/L44610	30.5	28.5	44.5	47	1.5	1.3	3.4	0.37	1.60	0.88	0.137
4T-1779/1729	29.5	28.5	49	51	0.8	1.3	6.5	0.31	1.95	1.07	0.247
4T-07098/07196	31	29	44.5	47	1.5	1	3.0	0.40	1.49	0.82	0.118
4T-07097/07196	31	29	44.5	47	1.5	1	3.0	0.40	1.49	0.82	0.118
4T-07096/07196	31.5	29.5	44.5	47	1.5	1	3.0	0.40	1.49	0.82	0.117
4T-07100/07196	30.5	29.5	44.5	47	1	1	3.0	0.40	1.49	0.82	0.117
4T-07100S/07196	31.5	29.5	44.5	47	1.5	1	3.0	0.40	1.49	0.82	0.116
4T-L44643/L44610	31.5	29.5	44.5	47	1.3	1.3	3.4	0.37	1.60	0.88	0.13
4T-07100/07204	30.5	29.5	45	48	1	1.3	3.0	0.40	1.49	0.82	0.144
4T-1780/1729	30.5	30	49	51	0.8	1.3	6.5	0.31	1.95	1.07	0.238
4T-M84548/M84510	36	33	48.5	54	1.5	1.5	3.4	0.55	1.10	0.60	0.241
4T-15101/15243	32.5	31.5	54	58	0.8	2	6.0	0.35	1.71	0.94	0.3
4T-15100/15245	38	31.5	55	58	3.5	1.3	6.0	0.35	1.71	0.94	0.299
4T-15102/15245	34	31.5	55	58	1.5	1.3	6.0	0.35	1.71	0.94	0.301
4T-M86643/M86610	38	36.5	54	61	1.5	1.5	3.3	0.55	1.10	0.60	0.371
4T-23100/23256	39	34.5	53	63	1.5	1.5	2.0	0.73	0.82	0.45	0.36
4T-2687/2631	33.5	31.5	58	60	1.3	1.3	9.3	0.25	2.36	1.30	0.442
4T-15103/15245	33	32.5	55	58	0.8	1.3	6.0	0.35	1.71	0.94	0.296
4T-2682/2631	34.5	32	58	60	1.5	1.3	9.3	0.25	2.36	1.30	0.436
4T-L44649†/L44610	37.5	31	44.5	47	3.5	1.3	3.4	0.37	1.60	0.88	0.12
4T-15580†/15523	38.5	32	51	54	3.5	1.5	5.0	0.35	1.73	0.95	0.26
4T-15106†/15245	33.5	33	55	58	0.8	1.3	6.0	0.35	1.71	0.94	0.291
4T-2688†/2631	35	33	58	60	1.5	1.3	9.3	0.25	2.36	1.30	0.429
4T-1985/1930	34	33.5	51	54	0.8	0.8	6.7	0.33	1.82	1.00	0.217
4T-15590/15520	39.5	33.5	51	53	3.5	1.5	5.0	0.35	1.73	0.95	0.196

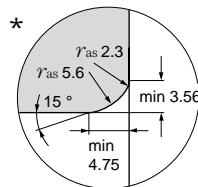
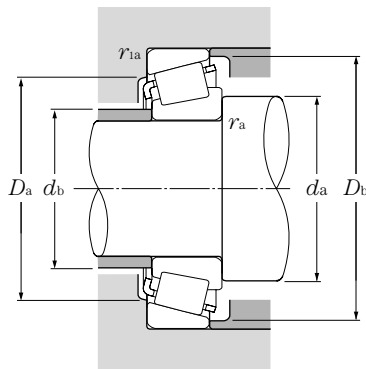
Inch system sizes
J system series



d 28.575 ~ 31.750mm

d	Boundary dimensions				Basic load ratings				Limiting speeds	
	D	T	B	C	dynamic kN	static kN	dynamic kgf	static kgf	grease rpm	oil rpm
28.575	58.738	19.050	19.355	15.080	40.5	44.5	4,150	4,550	6,700	8,900
	60.325	19.842	17.462	15.875	39.5	45.5	4,050	4,650	6,700	8,900
	60.325	19.845	19.355	15.875	40.5	44.5	4,150	4,550	6,700	8,900
	62.000	19.050	20.638	14.288	46.5	54.0	4,750	5,500	6,100	8,200
	64.292	21.433	21.433	16.670	51.5	64.5	5,250	6,600	6,100	8,100
	66.421	23.812	25.433	19.050	64.5	72.5	6,550	7,400	6,200	8,200
	68.262	22.225	22.225	17.462	57.0	67.0	5,800	6,850	5,800	7,700
	68.262	22.225	23.812	17.462	57.5	65.5	5,850	6,700	5,700	7,700
	69.850	23.812	25.357	19.050	69.0	81.5	7,050	8,300	5,700	7,600
72.626	24.608	24.257	17.462	58.0	55.5	5,900	5,700	5,800	7,700	
73.025	22.225	22.225	17.462	56.5	68.0	5,750	6,900	5,300	7,000	
29.000	50.292	14.224	14.732	10.668	28.0	35.5	2,860	3,600	7,200	9,600
29.367	66.421	23.812	25.433	19.050	64.5	72.5	6,550	7,400	6,200	8,200
29.987	62.000	16.002	16.566	14.288	39.0	42.0	3,950	4,300	6,300	8,400
	62.000	19.050	20.638	14.288	46.5	54.0	4,750	5,500	6,100	8,200
30.000	69.012	19.845	19.583	15.875	48.5	58.0	4,900	5,900	5,600	7,400
	72.000	29.370	27.783	23.020	72.0	97.0	7,350	9,850	5,400	7,100
30.112	62.000	19.050	20.638	14.288	46.5	54.0	4,750	5,500	6,100	8,200
30.162	62.000	16.002	16.566	14.288	39.0	42.0	3,950	4,300	6,300	8,400
	64.292	21.433	21.433	16.670	51.5	64.5	5,250	6,600	6,100	8,100
	69.850	23.812	25.357	19.050	69.0	81.5	7,050	8,300	5,700	7,600
	72.626	30.162	29.997	23.812	84.5	98.0	8,600	9,950	5,500	7,300
30.213	62.000	19.050	20.638	14.288	46.5	54.0	4,750	5,500	6,100	8,200
	62.000	19.050	20.638	14.288	46.5	54.0	4,750	5,500	6,100	8,200
	62.000	19.050	20.638	14.288	46.5	54.0	4,750	5,500	6,100	8,200
30.226	69.012	19.845	19.583	15.875	48.5	58.0	4,900	5,900	5,600	7,400
	69.012	19.845	19.583	15.875	48.5	58.0	4,900	5,900	5,600	7,400
31.750	59.131	15.875	16.764	11.811	34.5	41.0	3,500	4,150	6,300	8,400
	62.000	18.161	19.050	14.288	46.5	54.0	4,750	5,500	6,100	8,200
	62.000	19.050	20.638	14.288	46.5	54.0	4,750	5,500	6,100	8,200

Note: 1. With regard to the chamfer dimensions on the back face of the inner and outer rings, installation dimensions r_{1s} and r_{2s} are larger than the maximum value.
2. For the inner bore diameter of bearings with bearing numbers marked "+" (inner ring), this value applies only to high precision class types, Class 4 and 2.



Equivalent bearing load

dynamic
 $P_r = XF_r + YF_a$

$\frac{F_a}{F_r}$	e	$\frac{F_a}{F_r} > e$	
X	Y	X	Y
1	0	0.4	Y_2

static

$P_{Or} = 0.5F_r + Y_0F_a$

When $P_{Or} < F_r$ use $P_{Or} = F_r$

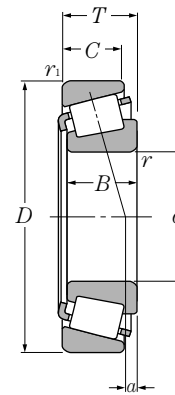
For values of e , Y_2 and Y_0 see the table below.

Bearing numbers	Abutment and fillet dimensions						Load center mm	Constant	Axial load factors		Mass kg
	mm								a	e	
	d_a	d_b	D_a	D_b	r_{as} max	r_{1as} max					(approx.)
4T-1985/1932	34	33.5	52	54	0.8	1.3	5.9	0.33	1.82	1.00	0.23
4T-15590/15523	39.5	33.5	51	54	3.5	1.5	5.0	0.35	1.73	0.95	0.25
4T-1985/1931	34	33.5	52	55	0.8	1.3	5.9	0.33	1.82	1.00	0.255
4T-15112/15245	40	34	55	58	3.5	1.3	6.0	0.35	1.71	0.94	0.277
4T-M86647/M86610	40	38	54	61	1.5	1.5	3.3	0.55	1.10	0.60	0.348
4T-2689/2631	36	34	58	60	1.3	1.3	9.3	0.25	2.36	1.30	0.416
4T-02474/02420	36.5	36	59	63	0.8	1.5	5.2	0.42	1.44	0.79	0.409
4T-2474/2420	36	35	60	63	0.8	1.5	6.5	0.34	1.77	0.97	0.41
4T-2578/2523	39	35	61	64	2.3	1.3	9.1	0.27	2.19	1.21	0.483
4T-41125/41286	48	36.5	61	68	4.8	1.5	3.7	0.60	1.00	0.55	0.477
4T-02872/02820	37.5	37	62	68	0.8	3.3	3.9	0.45	1.32	0.73	0.48
4T-L45449/L45410	39.5	33	44.5	48	3.5	1.3	3.5	0.37	1.62	0.89	0.113
4T-2690/2631	41	35	58	60	3.5	1.3	9.3	0.25	2.36	1.30	0.406
4T-17118†/17244	37	34.5	54	57	1.5	1.5	3.3	0.38	1.57	0.86	0.228
4T-15117†/15245	36.5	35	55	58	1.3	1.3	6.0	0.35	1.71	0.94	0.269
4T-14117A/14276	42.5	39.5	60	63	3.5	1.3	4.1	0.38	1.57	0.86	0.369
#4T-JHM88540/JHM88513	44.5	42.5	58	69	1.3	3.3	6.0	0.55	1.10	0.60	0.619
4T-15116/15245	36	35.5	55	58	0.8	1.3	6.0	0.35	1.71	0.94	0.268
4T-17119/17244	37	34.5	54	57	1.5	1.5	3.3	0.38	1.57	0.86	0.226
4T-M86649/M86610	41	38	54	61	1.5	1.5	3.3	0.55	1.10	0.60	0.336
4T-2558/2523	40	36.5	61	64	2.3	1.3	9.1	0.27	2.19	1.21	0.468
4T-3187/3120	39	38.5	61	67	0.8	3.3	9.9	0.33	1.80	0.99	0.621
4T-15118/15245	41.5	35.5	55	58	3.5	1.3	6.0	0.35	1.71	0.94	0.265
4T-15119/15245	37.5	35.5	55	58	1.5	1.3	6.0	0.35	1.71	0.94	0.267
4T-15120/15245	36	35.5	55	58	0.8	1.3	6.0	0.35	1.71	0.94	0.267
4T-14116/14274	37	36.5	59	63	0.8	3.3	4.1	0.38	1.57	0.86	0.366
4T-14116/14276	37	36.5	60	63	0.8	1.3	4.1	0.38	1.57	0.86	0.37
4T-LM67048/LM67010	42.5	36	52	56	*	1.3	2.8	0.41	1.46	0.80	0.182
4T-15123/15245	42.5	36.5	55	58	*	1.3	5.1	0.35	1.71	0.94	0.244
4T-15125/15245	42.5	36.5	55	58	3.5	1.3	6.0	0.35	1.71	0.94	0.253

Note: 3. Bearing numbers marked " #" designate **J-series** bearings. The tolerances of these bearings is listed in **Table 6.6** on **page A-40**.

4. Chamfer dimensions of bearings marked "*" are shown in drawings.

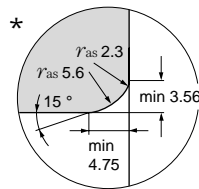
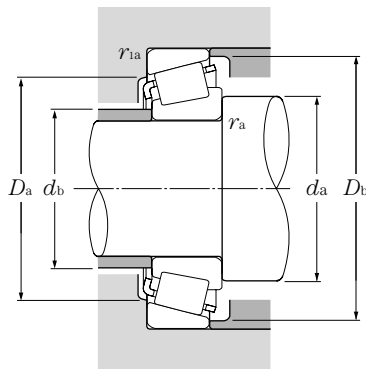
Inch system sizes
J system series



d 31.750 ~ 34.925mm

d	Boundary dimensions				Basic load ratings				Limiting speeds	
	D	T	B	C	dynamic kN	static kN	dynamic kgf	static kgf	grease rpm	oil rpm
31.750	62.000	19.050	20.638	14.288	46.5	54.0	4,750	5,500	6,100	8,200
	66.421	25.400	25.357	20.638	69.0	81.5	7,050	8,300	5,700	7,600
	68.262	22.225	22.225	17.462	57.0	67.0	5,800	6,850	5,800	7,700
	68.262	22.225	22.225	17.462	57.0	67.0	5,800	6,850	5,800	7,700
	69.012	19.845	19.583	15.875	48.5	58.0	4,900	5,900	5,600	7,400
	69.012	19.845	19.583	15.875	48.5	58.0	4,900	5,900	5,600	7,400
	69.850	23.812	25.357	19.050	69.0	81.5	7,050	8,300	5,700	7,600
	69.850	23.812	25.357	19.050	69.0	81.5	7,050	8,300	5,700	7,600
	72.626	30.162	29.997	23.812	84.5	98.0	8,600	9,950	5,500	7,300
	72.626	30.162	29.997	23.812	84.5	98.0	8,600	9,950	5,500	7,300
	73.025	22.225	22.225	17.462	56.5	68.0	5,750	6,900	5,300	7,000
	73.025	22.225	23.812	17.462	62.5	75.5	6,400	7,700	5,200	7,000
	73.025	29.370	27.783	23.020	72.0	97.0	7,350	9,850	5,400	7,100
73.812	29.370	27.783	23.020	72.0	97.0	7,350	9,850	5,400	7,100	
76.200	29.370	28.575	23.020	78.0	105	7,950	10,700	5,100	6,800	
79.375	29.370	29.771	23.812	93.0	114	9,450	11,600	4,900	6,600	
33.338	68.262	22.225	22.225	17.462	56.5	71.0	5,750	7,250	5,700	7,500
	69.012	19.845	19.583	15.875	48.5	58.0	4,900	5,900	5,600	7,400
	69.850	23.812	25.357	19.050	69.0	81.5	7,050	8,300	5,700	7,600
	72.626	30.162	29.997	23.812	84.5	98.0	8,600	9,950	5,500	7,300
	73.025	29.370	27.783	23.020	72.0	97.0	7,350	9,850	5,400	7,100
	76.200	23.812	25.654	19.050	73.0	90.5	7,450	9,200	5,100	6,800
	76.200	29.370	28.575	23.020	78.0	105	7,950	10,700	5,100	6,800
	76.200	29.370	28.575	23.020	78.0	105	7,950	10,700	5,100	6,800
79.375	25.400	24.074	17.462	65.5	67.0	6,650	6,800	5,200	6,900	
34.925	65.088	18.034	18.288	13.970	46.5	56.0	4,750	5,700	5,700	7,600
	65.088	18.034	18.288	13.970	46.5	56.0	4,750	5,700	5,700	7,600
	69.012	19.845	19.583	15.875	48.5	58.0	4,900	5,900	5,600	7,400
	72.233	25.400	25.400	19.842	65.0	84.5	6,600	8,600	5,400	7,200
	72.238	20.638	20.638	15.875	48.0	58.5	4,900	5,950	5,300	7,000
	73.025	22.225	22.225	17.462	56.5	68.0	5,750	6,900	5,300	7,000
	73.025	22.225	22.225	17.462	56.5	68.0	5,750	6,900	5,300	7,000
	73.025	22.225	23.812	17.462	62.5	75.5	6,400	7,700	5,200	7,000
	73.025	23.812	24.608	19.050	71.0	85.0	7,200	8,700	5,300	7,100
	73.025	23.812	24.608	19.050	71.0	85.0	7,200	8,700	5,300	7,100
	73.025	23.812	25.654	19.050	73.0	90.5	7,450	9,200	5,100	6,800
76.200	23.812	25.654	19.050	73.0	90.5	7,450	9,200	5,100	6,800	

Note: 1. With regard to the chamfer dimensions on the back face of the inner and outer rings, installation dimensions r_{as} and r_{1as} are larger than the maximum value.
2. Chamfer dimensions of bearings marked "*" are shown in drawings.



Equivalent bearing load dynamic

$$P_r = XF_r + YF_a$$

$\frac{F_a}{F_r}$	e	$\frac{F_a}{F_r} > e$
X	Y	X
1	0	$0.4 Y_2$

static

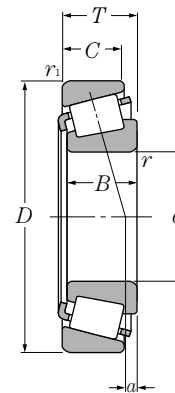
$$P_{or} = 0.5F_r + Y_0F_a$$

When $P_{or} < F_r$ use $P_{or} = F_r$

For values of e , Y_2 and Y_0 see the table below.

Bearing numbers	Abutment and fillet dimensions						Load center mm	Constant	Axial load factors		Mass kg
	mm								a	e	
	d_a	d_b	D_a	D_b	r_{as} max	r_{1as} max					(approx.)
4T-15126/15245	37	36.5	55	58	0.8	1.3	6.0	0.35	1.71	0.94	0.255
4T-2580/2520	38.5	37.5	57	62	0.8	3.3	9.1	0.27	2.19	1.21	0.409
4T-02475/02420	44.5	38.5	59	63	3.5	1.5	5.2	0.42	1.44	0.79	0.38
4T-02476/02420	39	38.5	59	63	0.8	1.5	5.2	0.42	1.44	0.79	0.383
4T-14124/14276	38.5	37.5	60	63	0.8	1.3	4.1	0.38	1.57	0.86	0.359
4T-14125A/14276	44	37.5	60	63	3.5	1.3	4.1	0.38	1.57	0.86	0.356
4T-2580/2523	38.5	37.5	61	64	0.8	1.3	9.1	0.27	2.19	1.21	0.454
4T-2582/2523	44	37.5	61	64	3.5	1.3	9.1	0.27	2.19	1.21	0.451
4T-3188/3120	40	39.5	61	67	0.8	3.3	9.9	0.33	1.80	0.99	0.603
4T-3193/3120	45.5	39.5	61	67	3.5	3.3	9.9	0.33	1.80	0.99	0.601
4T-02875/02820	45.5	39.5	62	68	3.5	3.3	3.9	0.45	1.32	0.73	0.451
4T-2879/2820	39.5	38.5	63	68	0.8	3.3	5.5	0.37	1.63	0.90	0.465
4T-HM88542/HM88510	45.5	42.5	59	70	1.3	3.3	6.0	0.55	1.10	0.60	0.622
4T-HM88542/HM88512	45.5	42.5	60	70	1.3	3.3	6.0	0.55	1.10	0.60	0.638
4T-HM89440/HM89410	45.5	44.5	62	73	0.8	3.3	5.8	0.55	1.10	0.60	0.686
4T-3476/3420	43	41	67	74	1.3	3.3	8.7	0.37	1.64	0.90	0.767
4T-M88048/M88010	42.5	41	58	65	0.8	1.5	2.9	0.55	1.10	0.60	0.378
4T-14130/14276	45	38.5	60	63	3.5	1.3	4.1	0.38	1.57	0.86	0.344
4T-2585/2523	45	39	61	64	3.5	1.3	9.1	0.27	2.19	1.21	0.435
4T-3196/3120	47	40.5	61	67	3.5	3.3	9.9	0.33	1.80	0.99	0.581
4T-HM88547/HM88510	45.5	42.5	59	70	0.8	3.3	6.0	0.55	1.10	0.60	0.604
4T-2785/2720	46	40	66	70	3.5	3.3	7.8	0.30	1.98	1.09	0.551
4T-HM89443/HM89410	46.5	44.5	62	73	0.8	3.3	5.8	0.55	1.10	0.60	0.668
4T-HM89444/HM89410	53	44.5	62	73	3.8	3.3	5.8	0.55	1.10	0.60	0.665
4T-43131/43312	51	42	67	74	3.5	1.5	1.4	0.67	0.90	0.49	0.568
4T-LM48548/LM48510	46	40	58	61	*	1.3	3.7	0.38	1.59	0.88	0.249
4T-LM48548A/LM48510	40.5	42	58	61	0.8	1.3	3.7	0.38	1.59	0.88	0.252
4T-14137A/14276	42	40	60	63	1.5	1.3	4.1	0.38	1.57	0.86	0.333
4T-HM88649/HM88610	48.5	42.5	60	69	2.3	2.3	4.6	0.55	1.10	0.60	0.489
4T-16137/16284	47	40.5	63	67	3.5	1.3	4.2	0.40	1.49	0.82	0.385
4T-02877/02820	48.5	42	62	68	3.5	3.3	3.9	0.45	1.32	0.73	0.422
4T-02878/02820	42.5	42	62	68	0.8	3.3	3.9	0.45	1.32	0.73	0.425
4T-2878/2820	42	41	63	68	0.8	3.3	5.5	0.37	1.63	0.90	0.434
4T-25877/25820	43	40.5	64	68	1.5	2.3	8.1	0.29	2.07	1.14	0.471
4T-25877/25821	43	40.5	65	68	1.5	0.8	8.1	0.29	2.07	1.14	0.474
4T-2793/2735X	42	41	66	69	0.8	0.8	7.8	0.30	1.98	1.09	0.485
4T-2793/2720	42	41	66	70	0.8	3.3	7.8	0.30	1.98	1.09	0.536

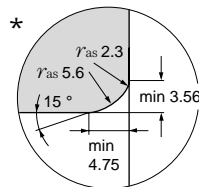
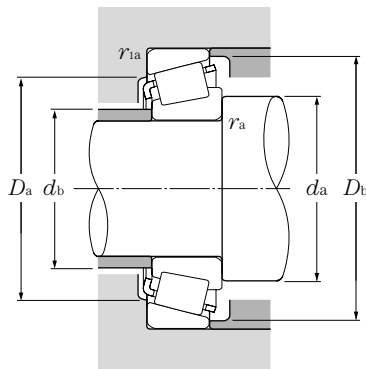
Inch system sizes J system series



d 34.925 ~ 38.100mm

d	Boundary dimensions				Basic load ratings				Limiting speeds	
	D	T	B	C	dynamic static	dynamic static	dynamic static	dynamic static	grease	oil
	mm				kN		kgf		rpm	
34.925	76.200	23.812	25.654	19.050	73.0	90.5	7,450	9,200	5,100	6,800
	76.200	29.370	28.575	23.020	78.0	105	7,950	10,700	5,100	6,800
	76.200	29.370	28.575	23.812	80.5	97.0	8,200	9,900	5,100	6,800
	76.200	29.370	28.575	23.812	80.5	97.0	8,200	9,900	5,100	6,800
	79.375	29.370	29.771	23.812	93.0	114	9,450	11,600	4,900	6,600
	80.167	29.370	30.391	23.812	95.0	112	9,700	11,400	4,800	6,400
	85.725	30.162	30.162	23.812	105	132	10,700	13,400	4,500	6,000
34.976	69.012	19.845	19.583	15.875	48.5	58.0	4,900	5,900	5,600	7,400
34.988	59.974	15.875	16.764	11.938	35.5	47.5	3,600	4,850	6,100	8,100
	61.973	16.700	17.000	13.600	37.0	48.0	3,800	4,900	5,900	7,900
	61.973	18.000	17.000	15.000	37.0	48.0	3,800	4,900	5,900	7,900
35.000	70.000	24.000	23.500	19.000	62.0	78.0	6,350	7,950	5,500	7,300
	79.375	23.812	25.400	19.050	76.5	97.5	7,800	9,950	4,800	6,400
	80.000	21.000	22.403	17.826	68.0	75.0	6,950	7,650	4,700	6,300
35.717	72.233	25.400	25.400	19.842	65.0	84.5	6,600	8,600	5,400	7,200
	72.626	25.400	25.400	19.842	65.0	84.5	6,600	8,600	5,400	7,200
36.487	73.025	23.812	24.608	19.050	71.0	85.0	7,200	8,700	5,300	7,100
	76.200	23.812	25.654	19.050	73.0	90.5	7,450	9,200	5,100	6,800
36.512	76.200	29.370	28.575	23.020	78.0	105	7,950	10,700	5,100	6,800
	76.200	29.370	28.575	23.020	78.0	105	7,950	10,700	5,100	6,800
	76.200	29.370	28.575	23.812	80.5	97.0	8,200	9,900	5,100	6,800
	79.375	29.370	28.829	22.664	86.5	104	8,800	10,600	5,000	6,600
	79.375	29.370	29.771	23.812	93.0	114	9,450	11,600	4,900	6,600
	88.500	25.400	23.698	17.462	70.5	78.0	7,200	7,950	4,000	5,300
38.000	63.000	17.000	17.000	13.500	38.5	52.5	3,950	5,350	5,700	7,600
38.100	63.500	12.700	11.908	9.525	25.9	33.5	2,640	3,400	5,500	7,300
	65.088	18.034	18.288	13.970	43.5	57.0	4,400	5,800	5,500	7,400
	69.012	19.050	19.050	15.083	47.5	59.5	4,850	6,050	5,300	7,100
	69.012	19.050	19.050	15.083	47.5	59.5	4,850	6,050	5,300	7,100
	71.438	15.875	16.520	11.908	43.5	51.0	4,400	5,200	5,400	7,200
	72.000	19.000	20.638	14.237	48.0	58.5	4,900	5,950	5,300	7,000

Note: 1. With regard to the chamfer dimensions on the back face of the inner and outer rings, installation dimensions r_{is} and r_{os} are larger than the maximum value.
 2. For the inner bore diameter of bearings with bearing numbers marked "+" (inner ring) or "++" (outer ring), this value applies only to high precision class types, Class 4 and 2.



Equivalent bearing load

dynamic

$$P_r = XF_r + YF_a$$

$\frac{F_a}{F_r}$	e	$\frac{F_a}{F_r} > e$	
X	Y	X	Y
1	0	0.4	Y_2

static

$$P_{or} = 0.5F_r + Y_0F_a$$

When $P_{or} < F_r$ use $P_{or} = F_r$

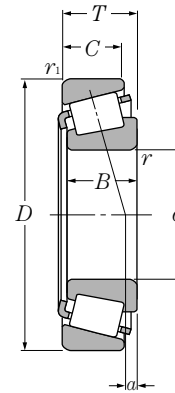
For values of e , Y_2 and Y_0 see the table below.

Bearing numbers	Abutment and fillet dimensions						Load center mm	Constant	Axial load factors		Mass kg
	mm								a	e	
	d_a	d_b	D_a	D_b	r_{as} max	r_{1as} max					(approx.)
4T-2793/2729	42	41	68	70	0.8	0.8	7.8	0.30	1.98	1.09	0.541
4T-HM89446/HM89410	53	44.5	62	73	3.5	3.3	5.8	0.55	1.10	0.60	0.646
4T-31593/31520	50	43.5	64	72	3.5	3.3	7.8	0.40	1.49	0.82	0.625
4T-31594/31520	46	43.5	64	72	1.5	3.3	7.8	0.40	1.49	0.82	0.627
4T-3478/3420	50	43.5	67	74	3.5	3.3	8.7	0.37	1.64	0.90	0.725
4T-3379/3320	48	41.5	70	75	3.5	3.3	11.2	0.27	2.20	1.21	0.732
4T-3872/3820	53	46	73	81	3.5	3.3	8.1	0.40	1.49	0.82	0.897
4T-14139/14276	41.5	40	60	63	1.3	1.3	4.1	0.38	1.57	0.86	0.333
4T-L68149†/L68111††	45.5	39	53	56	*	1.3	2.5	0.42	1.44	0.79	0.179
4T-LM78349A†/LM78310A††	42	39.5	54	59	1.5	1.5	2.4	0.44	1.35	0.74	0.209
4T-LM78349†/LM78310C††	46	40	56	59	*	1.5	2.4	0.44	1.35	0.74	0.218
#4T-JS3549A/JS3510	47	42	60	67	2	1.5	3.6	0.55	1.10	0.60	0.42
4T-26883/26822	42.5	42	71	74	0.8	0.8	7.4	0.32	1.88	1.04	0.61
4T-339/332	42.5	41.5	73	75	0.8	1.3	6.6	0.27	2.20	1.21	0.534
4T-HM88648/HM88610	52	43	60	69	3.5	2.3	4.6	0.55	1.10	0.60	0.478
4T-HM88648/HM88611AS	52	43	59	69	3.5	3.3	3.0	0.55	1.10	0.60	0.482
4T-25880/25821	44	42	65	68	1.5	0.8	8.1	0.29	2.07	1.14	0.457
4T-2780/2720	44.5	42.5	66	70	1.5	3.3	7.8	0.30	1.98	1.09	0.518
4T-HM89448/HM89410	48.5	44.5	62	73	0.8	3.3	5.8	0.55	1.10	0.60	0.629
4T-HM89449/HM89411	54	44.5	65	73	3.5	0.8	5.8	0.55	1.10	0.60	0.631
4T-31597/31520	51	44.5	64	72	3.5	3.3	7.8	0.40	1.49	0.82	0.605
4T-HM89249/HM89210	55	44	66	75	3.5	3.3	5.8	0.55	1.10	0.60	0.686
4T-3479/3420	45.5	44.5	67	74	0.8	3.3	8.7	0.37	1.64	0.90	0.707
4T-44143/44348	54	50	75	84	2.3	1.5	-2.9	0.78	0.77	0.42	0.729
#4T-JL69349/JL69310	49	42.5	56	60	*	1.3	2.3	0.42	1.44	0.79	0.198
4T-13889/13830	45	42.5	59	60	1.5	0.8	0.8	0.35	1.73	0.95	0.147
4T-LM29748/LM29710	49	42.5	59	62	*	1.3	4.3	0.33	1.80	0.99	0.233
4T-13685/13621	49.5	43	61	65	3.5	2.3	3.0	0.40	1.49	0.82	0.293
4T-13687/13621	46.5	43	61	65	2	2.3	3.0	0.40	1.49	0.82	0.296
4T-19150/19281	45	43	63	66	1.5	1	1.4	0.44	1.35	0.74	0.273
4T-16150/16282	49.5	43	63	67	3.5	1.5	4.2	0.40	1.49	0.82	0.331

Note: 3. Bearing numbers marked "# " designate **J-series** bearings. The tolerances of these bearings is listed in **Table 6.6** on **page A-40**.

4. Chamfer dimensions of bearings marked "*" are shown in drawings.

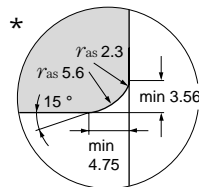
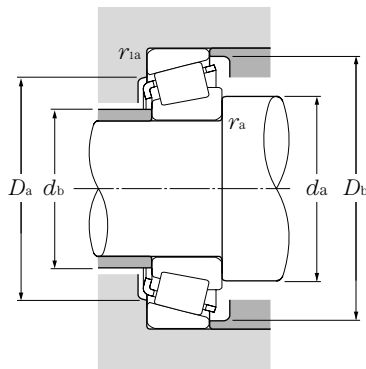
Inch system sizes



d 38.100 ~ 41.275mm

d	Boundary dimensions				Basic load ratings				Limiting speeds	
	D	T	B	C	dynamic static	dynamic static	dynamic static	dynamic static	grease	oil
	mm				kN		kgf		rpm	
	D	T	B	C	C_r	C_{or}	C_r	C_{or}	grease	oil
38.100	76.200	20.638	20.940	15.507	55.5	63.0	5,650	6,450	5,000	6,700
	76.200	23.812	25.654	19.050	73.0	90.5	7,450	9,200	5,100	6,800
	76.200	23.812	25.654	19.050	73.0	90.5	7,450	9,200	5,100	6,800
	79.375	23.812	25.400	19.050	76.5	97.5	7,800	9,950	4,800	6,400
	79.375	29.370	29.771	23.812	93.0	114	9,450	11,600	4,900	6,600
	80.000	21.006	20.940	15.875	55.5	63.0	5,650	6,450	5,000	6,700
	80.035	24.608	23.698	18.512	67.0	82.5	6,850	8,400	4,800	6,400
	82.550	29.370	28.575	23.020	87.0	117	8,850	11,900	4,700	6,200
	82.931	23.812	25.400	19.050	76.0	98.0	7,750	10,000	4,500	6,000
	85.725	30.162	30.162	23.812	105	132	10,700	13,400	4,500	6,000
87.312	30.162	30.886	23.812	94.0	117	9,600	12,000	4,400	5,900	
88.500	25.400	23.698	17.462	70.5	78.0	7,200	7,950	4,000	5,300	
88.500	26.988	29.083	22.225	95.5	107	9,750	10,900	4,600	6,100	
39.688	76.200	23.812	25.654	19.050	73.0	90.5	7,450	9,200	5,100	6,800
	77.534	29.370	30.391	23.812	95.0	112	9,700	11,400	4,800	6,400
	79.375	23.812	25.400	19.050	76.5	97.5	7,800	9,950	4,800	6,400
	80.035	29.370	30.391	23.812	95.0	112	9,700	11,400	4,800	6,400
	80.167	29.370	30.391	23.812	95.0	112	9,700	11,400	4,800	6,400
	88.500	25.400	23.698	17.462	70.5	78.0	7,200	7,950	4,000	5,300
40.000	76.200	20.638	20.940	15.507	55.5	63.0	5,650	6,450	5,000	6,700
	80.000	21.000	22.403	17.826	68.0	75.0	6,950	7,650	4,700	6,300
	85.000	20.638	21.692	17.462	69.5	79.5	7,100	8,100	4,400	5,800
	88.500	26.988	29.083	22.225	95.5	107	9,750	10,900	4,600	6,100
	107.950	36.512	36.957	28.575	141	177	14,400	18,100	3,600	4,800
40.483	82.550	29.370	28.575	23.020	87.0	117	8,850	11,900	4,700	6,200
40.988	67.975	17.500	18.000	13.500	46.0	62.5	4,700	6,400	5,300	7,000
41.275	73.025	16.667	17.462	12.700	46.0	55.5	4,700	5,700	5,000	6,600
	73.431	19.558	19.812	14.732	56.0	69.5	5,700	7,100	5,000	6,600
	73.431	21.430	19.812	16.604	56.0	69.5	5,700	7,100	5,000	6,600
	76.200	18.009	17.384	14.288	42.5	51.5	4,350	5,250	4,900	6,500
	76.200	22.225	23.020	17.462	65.0	80.5	6,600	8,200	4,900	6,500
	76.200	25.400	25.400	20.638	76.5	97.5	7,800	9,950	4,800	6,400
	79.375	23.812	25.400	19.050	76.5	97.5	7,800	9,950	4,800	6,400
	80.000	18.009	17.384	14.288	42.5	51.5	4,350	5,250	4,900	6,500

Note: 1. With regard to the chamfer dimensions on the back face of the inner and outer rings, installation dimensions r_{i1} and r_{o1} are larger than the maximum value.
 2. For the inner bore diameter of bearings with bearing numbers marked "+" (inner ring) or "++" (outer ring), this value applies only to high precision class types, Class 4 and 2.



Equivalent bearing load

dynamic
 $P_r = XF_r + YF_a$

$\frac{F_a}{F_r} \leq e$		$\frac{F_a}{F_r} > e$	
X	Y	X	Y
1	0	0.4	Y_2

static

$$P_{or} = 0.5F_r + Y_0F_a$$

When $P_{or} < F_r$ use $P_{or} = F_r$

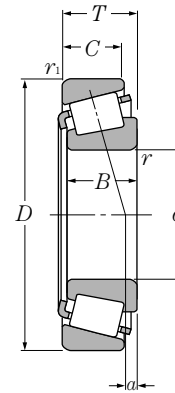
For values of e , Y_2 and Y_0 see the table below.

Bearing numbers	Abutment and fillet dimensions						Load center mm	Constant	Axial		Mass kg		
	mm								a	e		Y_2	Y_0
	d_a	d_b	D_a	D_b	r_{as} max	r_{1as} max							
4T-28150/28300	45.5	43.5	68	71	1.5	1.3	4.8	0.40	1.49	0.82	0.405		
4T-2776/2720	52	43.5	66	70	4.3	3.3	7.8	0.30	1.98	1.09	0.495		
4T-2788/2720	50	43.5	66	70	3.5	3.3	7.8	0.30	1.98	1.09	0.497		
4T-26878/26822	45	44.5	71	74	0.8	0.8	7.4	0.32	1.88	1.04	0.574		
4T-3490/3420	52	45.5	67	74	3.5	3.3	8.7	0.37	1.64	0.90	0.683		
4T-28150/28315	45.5	43.5	69	73	1.5	1.5	4.8	0.40	1.49	0.82	0.467		
4T-27880/27820	48	47	68	75	0.8	1.5	2.5	0.56	1.07	0.59	0.562		
4T-HM801346/HM801310	51	49	68	78	0.8	3.3	4.7	0.55	1.10	0.60	0.767		
4T-25572/25520	46	46	74	77	0.8	0.8	6.2	0.33	1.79	0.99	0.645		
4T-3875/3820	49.5	48.5	73	81	0.8	3.3	8.1	0.40	1.49	0.82	0.857		
4T-3580/3525	48	45.5	75	81	1.5	3.3	10.0	0.31	1.96	1.08	0.881		
4T-44150/44348	55	51	75	84	2.3	1.5	-2.9 ^①	0.78	0.77	0.42	0.711		
4T-418/414	51	44.5	77	80	3.5	1.5	9.1	0.26	2.28	1.25	0.84		
4T-2789/2720	52	45	66	70	3.5	3.3	7.8	0.30	1.98	1.09	0.477		
4T-3382/3321	52	45.5	68	75	3.5	3.3	11.2	0.27	2.20	1.21	0.669		
4T-26880/26822	48	45.5	71	74	1.5	0.8	7.4	0.32	1.88	1.04	0.554		
4T-3382/3339	52	45.5	71	75	3.5	1.5	11.2	0.27	2.20	1.21	0.666		
4T-3386/3320	46.5	45.5	70	75	0.8	3.3	11.2	0.27	2.20	1.21	0.668		
4T-44158/44348	58	51	75	84	3.5	1.5	-2.9 ^①	0.78	0.77	0.42	0.691		
4T-28158/28300	47.5	45	68	71	1.5	1.3	4.8	0.40	1.49	0.82	0.386		
4T-344/332	52	45.5	73	75	3.5	1.3	6.6	0.27	2.20	1.21	0.479		
4T-350A/354A	47.5	46.5	77	80	0.8	1.3	5.1	0.31	1.96	1.08	0.562		
4T-420/414	52	46	77	80	3.5	1.5	9.1	0.26	2.28	1.25	0.813		
4T-543/532X	57	50	94	100	3.5	3.3	12.3	0.30	2.02	1.11	1.77		
4T-HM801349/HM801310	58	49	68	78	3.5	3.3	4.7	0.55	1.10	0.60	0.731		
4T-LM300849†/LM300811††	52	45	61	65	*	1.5	3.6	0.35	1.72	0.95	0.239		
4T-18590/18520	53	46	66	69	3.5	1.5	2.9	0.35	1.71	0.94	0.281		
4T-LM501349/LM501310	53	46.5	67	70	3.5	0.8	3.3	0.40	1.50	0.83	0.335		
4T-LM501349/LM501314	53	46.5	66	70	3.5	0.8	3.3	0.40	1.50	0.83	0.355		
4T-11162/11300	49	46.5	67	71	1.5	1.5	0.7	0.49	1.23	0.68	0.337		
4T-24780/24720	54	47	68	72	3.5	0.8	4.5	0.39	1.53	0.84	0.432		
4T-26882/26823	54	47	69	73	3.5	1.5	7.4	0.32	1.88	1.04	0.488		
4T-26885/26822	48	47	71	74	0.8	0.8	7.4	0.32	1.88	1.04	0.535		
4T-11162/11315	49	46.5	69	73	1.5	1.5	0.7	0.49	1.23	0.68	0.389		

Note: 3. Chamfer dimensions of bearings marked "*" are shown in drawings.

① " - " means that load center at outside on end of inner ring.

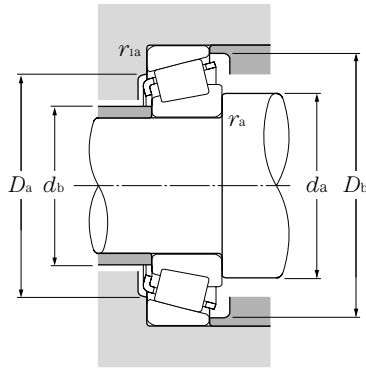
Inch system sizes



d 41.275 ~ 44.450mm

d	Boundary dimensions				Basic load ratings				Limiting speeds	
	D	T	B	C	dynamic static	dynamic static	dynamic static	dynamic static	grease	oil
	mm				kN		kgf		rpm	
	D	T	B	C	C_r	C_{or}	C_r	C_{or}	grease	oil
41.275	80.000	21.000	22.403	17.826	68.0	75.0	6,950	7,650	4,700	6,300
	80.000	23.812	25.400	19.050	76.5	97.5	7,800	9,950	4,800	6,400
	82.550	26.543	25.654	20.193	80.5	104	8,200	10,600	4,600	6,100
	85.725	30.162	30.162	23.812	105	132	10,700	13,400	4,500	6,000
	87.312	30.162	30.886	23.812	94.0	117	9,600	12,000	4,400	5,900
	88.900	30.162	29.370	23.020	93.5	125	9,550	12,700	4,300	5,800
	90.488	39.688	40.386	33.338	136	175	13,900	17,900	4,300	5,800
	92.075	26.195	23.812	16.670	72.5	81.5	7,400	8,300	3,800	5,000
	93.662	31.750	31.750	26.195	104	131	10,600	13,400	4,100	5,500
	95.250	30.162	29.370	23.020	109	147	11,100	15,000	4,000	5,300
42.070	90.488	39.688	40.386	33.338	136	175	13,900	17,900	4,300	5,800
	90.488	39.688	40.386	33.338	136	175	13,900	17,900	4,300	5,800
42.862	82.550	26.195	26.988	20.638	75.5	97.0	7,700	9,900	4,600	6,100
	82.931	23.812	25.400	19.050	76.0	98.0	7,750	10,000	4,500	6,000
	87.312	30.162	30.886	23.812	94.0	117	9,600	12,000	4,400	5,900
42.875	79.375	23.812	25.400	19.050	76.5	97.5	7,800	9,950	4,800	6,400
	82.931	23.812	25.400	19.050	76.0	98.0	7,750	10,000	4,500	6,000
44.450	76.992	17.462	17.145	11.908	44.0	54.0	4,450	5,550	4,700	6,300
	79.375	17.462	17.462	13.495	45.5	56.0	4,600	5,700	4,600	6,200
	82.931	23.812	25.400	19.050	76.0	98.0	7,750	10,000	4,500	6,000
	82.931	23.812	25.400	19.050	76.0	98.0	7,750	10,000	4,500	6,000
	84.138	30.162	30.886	23.812	94.0	117	9,600	12,000	4,400	5,900
	85.000	20.638	21.692	17.462	69.5	79.5	7,100	8,100	4,400	5,800
	87.312	30.162	30.886	23.812	94.0	117	9,600	12,000	4,400	5,900
	88.900	30.162	29.370	23.020	93.5	125	9,550	12,700	4,300	5,800
	93.264	30.162	30.302	23.812	102	134	10,400	13,700	4,000	5,300
	93.662	31.750	31.750	26.195	103	131	10,600	13,400	4,100	5,500
	95.250	27.783	28.575	22.225	107	139	10,900	14,200	3,900	5,200
	95.250	27.783	29.900	22.225	108	129	11,000	13,200	4,200	5,600
	95.250	30.162	29.370	23.020	109	147	11,100	15,000	4,000	5,300
	95.250	30.958	28.300	20.638	82.5	92.0	8,400	9,350	3,700	5,000
	95.250	30.958	28.575	22.225	96.0	116	9,800	11,800	3,700	4,900
101.600	34.925	36.068	26.988	135	165	13,800	16,800	3,800	5,000	
104.775	30.162	29.317	24.605	115	148	11,700	15,000	3,500	4,700	

Note: 1. With regard to the chamfer dimensions on the back face of the inner and outer rings, installation dimensions r_{i1} and r_{i2} are larger than the maximum value.



Equivalent bearing load

dynamic
 $P_r = XF_r + YF_a$

$\frac{F_a}{F_r} \leq e$		$\frac{F_a}{F_r} > e$	
X	Y	X	Y
1	0	0.4	Y_2

static

$P_{or} = 0.5F_r + Y_0F_a$

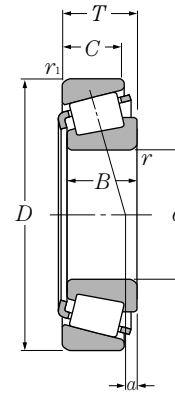
When $P_{or} < F_r$ use $P_{or} = F_r$

For values of e , Y_2 and Y_0 see the table below.

Bearing numbers	Abutment and fillet dimensions						Load center mm	Constant	Axial		Mass kg	
	mm								e	Y_2		Y_0
	d_a	d_b	D_a	D_b	r_{as} max	r_{1as} max						
4T-336/332	47	46	73	75	0.8	1.3	6.6	0.27	2.20	1.21	0.468	
4T-26882/26824	54	47	70	74	3.5	1.3	7.4	0.32	1.88	1.04	0.542	
4T-M802048/M802011	57	51	70	79	3.5	3.3	3.2	0.55	1.10	0.60	0.642	
4T-3880/3820	52	50	73	81	0.8	3.3	8.1	0.40	1.49	0.82	0.81	
4T-3576/3525	49	48	75	81	0.8	3.3	10.0	0.31	1.96	1.08	0.834	
4T-HM803145/HM803110	54	53	74	85	0.8	3.3	4.6	0.55	1.10	0.60	0.901	
4T-4388/4335	57	51	77	85	3.5	3.3	15.0	0.28	2.11	1.16	1.25	
4T-M903345/M903310	60	54	78	88	3.5	1.5	-3.6 ^①	0.83	0.72	0.40	0.758	
4T-46162/46368	52	51	79	87	0.8	3.3	7.1	0.40	1.49	0.82	1.09	
4T-HM804840/HM804810	61	54	81	91	3.5	3.3	3.7	0.55	1.10	0.60	1.08	
4T-53162/53375	57	53	81	89	1.5	0.8	0.5	0.74	0.81	0.45	0.975	
4T-HM903245/HM903210	63	54	81	91	3.5	0.8	-0.4 ^①	0.74	0.81	0.45	1.05	
4T-4395/4335	58	51	77	85	3.5	3.3	15.0	0.28	2.11	1.16	1.24	
4T-22780/22720	56	50	71	77	3.5	3.3	6.4	0.40	1.49	0.82	0.617	
4T-25578/25520	53	49.5	74	77	2.3	0.8	6.2	0.33	1.79	0.99	0.584	
4T-3579/3525	56	49.5	75	81	3.5	3.3	10.0	0.31	1.96	1.08	0.805	
4T-26884/26822	55	48.5	71	74	3.5	0.8	7.4	0.32	1.88	1.04	0.51	
4T-25577/25520	55	49	74	77	3.5	0.8	6.2	0.33	1.79	0.99	0.581	
4T-12175/12303	52	49.5	68	73	1.5	1.5	-0.2 ^①	0.51	1.19	0.65	0.308	
4T-18685/18620	54	49.5	71	74	2.8	1.5	2.2	0.37	1.60	0.88	0.345	
4T-25580/25520	57	50	74	77	3.5	0.8	6.2	0.33	1.79	0.99	0.56	
4T-25582/25520	60	50	74	77	5	0.8	6.2	0.33	1.79	0.99	0.556	
4T-3578/3520	57	51	74	80	3.5	3.3	10.0	0.31	1.96	1.08	0.699	
4T-355/354A	54	50	77	80	2.3	1.3	5.1	0.31	1.96	1.08	0.511	
4T-3578/3525	57	51	75	81	3.5	3.3	10.0	0.31	1.96	1.08	0.779	
4T-HM803149/HM803110	62	53	74	85	3.5	3.3	4.6	0.55	1.10	0.60	0.849	
4T-3782/3720	58	52	82	88	3.5	3.3	8.3	0.34	1.77	0.97	0.961	
4T-46175/46368	55	54	79	87	0.8	3.3	7.1	0.40	1.49	0.82	1.04	
4T-33885/33821	53	53	85	90	0.8	2.3	8.0	0.33	1.82	1.00	0.987	
4T-438/432	57	51	83	87	3.5	2.3	9.2	0.28	2.11	1.16	0.953	
4T-HM804842/HM804810	57	57	81	91	0.8	3.3	3.7	0.55	1.10	0.60	1.04	
4T-53177/53375	63	53	81	89	3.5	0.8	0.5	0.74	0.81	0.45	0.925	
4T-HM903249/HM903210	65	54	81	91	3.5	0.8	-0.4 ^①	0.74	0.81	0.45	1	
4T-527/522	59	53	89	95	3.5	3.3	12.9	0.29	2.10	1.16	1.37	
4T-460/453X	60	54	92	98	3.5	3.3	7.1	0.34	1.79	0.98	1.29	

① " - " means that load center at outside on end of inner ring.

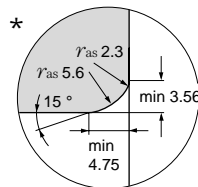
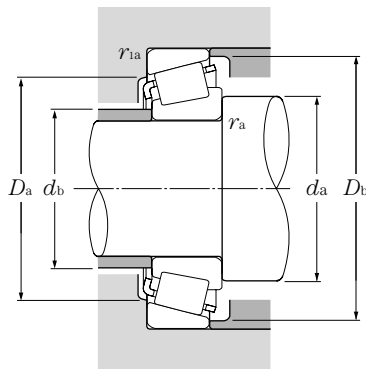
Inch system sizes



d 44.450 ~ 47.625mm

d	Boundary dimensions				Basic load ratings				Limiting speeds	
	D	T	B	C	dynamic static	dynamic static	dynamic static	dynamic static	grease	oil
	mm				kN		kgf		rpm	
44.450	104.775	30.162	30.958	23.812	130	169	13,200	17,300	3,500	4,700
	104.775	36.512	36.512	28.575	138	189	14,000	19,300	3,600	4,800
	111.125	30.162	26.909	20.638	104	136	10,600	13,900	3,200	4,200
	111.125	30.162	26.909	20.638	104	136	10,600	13,900	3,200	4,200
	127.000	50.800	52.388	41.275	250	320	25,500	33,000	3,200	4,300
44.983	82.931	23.812	25.400	19.050	76.0	98.0	7,750	10,000	4,500	6,000
	93.264	30.162	30.302	23.812	102	134	10,400	13,700	4,000	5,300
45.000	85.000	20.638	21.692	17.462	69.5	79.5	7,100	8,100	4,400	5,800
	88.900	20.638	22.225	16.513	76.5	90.5	7,800	9,250	4,100	5,500
45.237	87.312	30.162	30.886	23.812	94.0	117	9,600	12,000	4,400	5,900
45.242	73.431	19.558	19.812	15.748	54.0	76.0	5,550	7,750	4,800	6,400
	77.788	19.842	19.842	15.080	57.5	73.5	5,850	7,500	4,600	6,200
45.618	82.550	23.812	25.400	19.050	76.0	98.0	7,750	10,000	4,500	6,000
	82.931	23.812	25.400	19.050	76.0	98.0	7,750	10,000	4,500	6,000
	83.058	23.876	25.400	19.114	76.0	98.0	7,750	10,000	4,500	6,000
	85.000	23.812	25.400	19.050	76.0	98.0	7,750	10,000	4,500	6,000
45.987	74.976	18.000	18.000	14.000	51.0	71.0	5,200	7,250	4,700	6,300
46.038	79.375	17.462	17.462	13.495	45.5	56.0	4,600	5,700	4,600	6,200
	82.931	23.812	25.400	19.050	76.0	98.0	7,750	10,000	4,500	6,000
	85.000	20.638	21.692	17.462	69.5	79.5	7,100	8,100	4,400	5,800
	85.000	25.400	25.608	20.638	79.0	104	8,050	10,600	4,400	5,800
	90.119	23.000	21.692	21.808	69.5	79.5	7,100	8,100	4,400	5,800
	93.264	30.162	30.302	23.812	102	134	10,400	13,700	4,000	5,300
47.625	95.250	27.783	29.900	22.225	108	129	11,000	13,200	4,200	5,600
	88.900	20.638	22.225	16.513	76.5	90.5	7,800	9,250	4,100	5,500
	88.900	25.400	25.400	19.050	82.0	101	8,350	10,300	4,200	5,600
	93.264	30.162	30.302	23.812	102	134	10,400	13,700	4,000	5,300
	95.250	30.162	29.370	23.020	109	147	11,100	15,000	4,000	5,300
	96.838	21.000	21.946	15.875	78.0	96.5	7,950	9,850	3,700	5,000
	101.600	34.925	36.068	26.988	135	165	13,800	16,800	3,800	5,000
104.775	30.162	29.317	24.605	115	148	11,700	15,000	3,500	4,700	

Note: 1. With regard to the chamfer dimensions on the back face of the inner and outer rings, installation dimensions r_{1s} and r_{2s} are larger than the maximum value.
 2. For the inner bore diameter of bearings with bearing numbers marked "+" (inner ring) or "++" (outer ring), this value applies only to high precision class types, Class 4 and 2.



Equivalent bearing load dynamic

$$P_r = XF_r + YF_a$$

$\frac{F_a}{F_r}$	e	$\frac{F_a}{F_r} > e$
X	Y	X
1	0	0.4 Y ₂

static

$$P_{or} = 0.5F_r + Y_0F_a$$

When $P_{or} < F_r$ use $P_{or} = F_r$

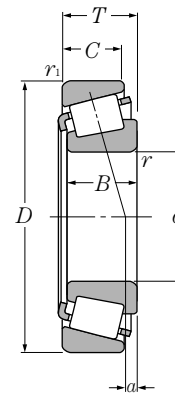
For values of e , Y_2 and Y_0 see the table below.

Bearing numbers	Abutment and fillet dimensions						Load center mm	Constant	Axial load factors		Mass kg		
	mm								a	e		Y ₂	Y ₀
	d _a	d _b	D _a	D _b	r _{as} max	r _{1as} max							
4T-45280/45220	55	54	93	99	0.8	3.3	7.9	0.33	1.80	0.99	1.35		
4T-HM807040/HM807010	66	59	89	100	3.5	3.3	7.4	0.49	1.23	0.68	1.62		
4T-55175C/55437	70	64	92	105	3.5	3.3	-7.4 [ⓐ]	0.88	0.68	0.37	1.45		
4T-55176C/55437	65	65	92	105	0.8	3.3	-7.4 [ⓐ]	0.88	0.68	0.37	1.09		
4T-6277/6220	67	60	108	117	3.5	3.3	19.5	0.30	2.01	1.11	3.58		
4T-25584/25520	53	51	74	77	1.5	0.8	6.2	0.33	1.79	0.99	0.555		
4T-3776/3720	59	53	82	88	3.5	3.3	8.3	0.34	1.77	0.97	0.952		
4T-358/354A	53	50	77	80	1.5	1.3	5.1	0.31	1.96	1.08	0.505		
4T-367/362A	55	51	81	84	2	1.3	4.0	0.32	1.88	1.03	0.595		
4T-3586/3525	58	52	75	81	3.5	3.3	10.0	0.31	1.96	1.08	0.765		
4T-LM102949/LM102910	56	50	68	70	3.5	0.8	4.7	0.31	1.97	1.08	0.307		
4T-LM603049/LM603011	57	50	71	74	3.5	0.8	2.2	0.43	1.41	0.77	0.372		
4T-25590/25519	58	51	73	77	3.5	2	6.2	0.33	1.79	0.99	0.534		
4T-25590/25520	58	51	74	77	3.5	0.8	6.2	0.33	1.79	0.99	0.543		
4T-25590/25522	58	51	73	77	3.5	2	6.2	0.33	1.79	0.99	0.545		
4T-25590/25526	58	51	74	78	3.5	2.3	6.2	0.33	1.79	0.99	0.581		
4T-LM503349A†/LM503310††	57	51	67	71	*	1.5	1.9	0.40	1.49	0.82	0.296		
4T-18690/18620	56	51	71	74	2.8	1.5	2.2	0.37	1.60	0.88	0.329		
4T-25592/25520	58	52	74	77	3.5	0.8	6.2	0.33	1.79	0.99	0.538		
4T-359A/354A	57	51	77	80	3.5	1.3	5.1	0.31	1.96	1.08	0.489		
4T-2984/2924	58	52	76	80	3.5	1.3	6.4	0.35	1.73	0.95	0.615		
4T-359S/352	55	51	78	82	2.3	2.3	5.1	0.31	1.96	1.08	0.651		
4T-3777/3720	60	53	82	88	3.5	3.3	8.3	0.34	1.77	0.97	0.934		
4T-436/432	59	52	83	87	3.5	2.3	9.2	0.28	2.11	1.16	0.927		
4T-369A/362A	60	53	81	84	3.5	1.3	4.0	0.32	1.88	1.03	0.559		
4T-M804048/M804010	57	56	77	85	0.8	3.3	1.7	0.55	1.10	0.60	0.662		
4T-3778/3720	67	55	82	88	6.4	3.3	8.3	0.34	1.77	0.97	0.898		
4T-HM804846/HM804810	66	57	81	91	3.5	3.3	3.7	0.55	1.10	0.60	0.978		
4T-386A/382A	56	55	89	92	0.8	0.8	3.1	0.35	1.69	0.93	0.72		
4T-528/522	62	55	89	95	3.5	3.3	12.9	0.29	2.10	1.16	1.3		
4T-463/453X	65	56	92	98	4.8	3.3	7.1	0.34	1.79	0.98	1.24		

Note: 3. Chamfer dimensions of bearings marked "*" are shown in drawings.

ⓐ " - " means that load center at outside on end of inner ring.

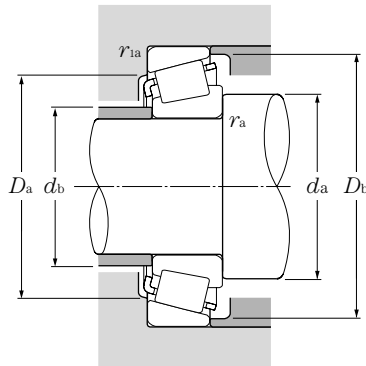
Inch system sizes
J system series



d 47.625 ~ 50.800mm

d	Boundary dimensions				Basic load ratings				Limiting speeds	
	D	T	B	C	dynamic C _r	static C _{or}	dynamic C _r	static C _{or}	grease rpm	oil rpm
47.625	104.775	30.162	30.958	23.812	130	169	13,200	17,300	3,500	4,700
	111.125	30.162	26.909	20.638	104	136	10,600	13,900	3,200	4,200
	123.825	36.512	32.791	25.400	154	188	15,700	19,200	2,900	3,900
48.412	95.250	30.162	29.370	23.020	109	147	11,100	15,000	4,000	5,300
	95.250	30.162	29.370	23.020	109	147	11,100	15,000	4,000	5,300
49.212	93.264	30.162	30.302	23.812	102	134	10,400	13,700	4,000	5,300
	103.188	43.658	44.475	36.512	174	232	17,700	23,600	3,800	5,000
	104.775	36.512	36.512	28.575	138	189	14,000	19,300	3,600	4,800
	114.300	44.450	44.450	34.925	186	225	19,000	23,000	3,600	4,800
49.987	114.300	44.450	44.450	36.068	203	261	20,700	26,600	3,500	4,700
	82.550	21.590	22.225	16.510	69.5	94.0	7,100	9,600	4,300	5,700
	92.075	24.608	25.400	19.845	83.5	116	8,550	11,800	4,000	5,300
50.000	114.300	44.450	44.450	36.068	203	261	20,700	26,600	3,500	4,700
	82.000	21.500	21.500	17.000	69.5	94.0	7,100	9,600	4,300	5,700
	84.000	22.000	22.000	17.500	69.5	94.5	7,100	9,600	4,300	5,700
	88.900	20.638	22.225	16.513	76.5	90.5	7,800	9,250	4,100	5,500
	88.900	20.638	22.225	16.513	76.5	90.5	7,800	9,250	4,100	5,500
	90.000	28.000	28.000	23.000	106	141	10,800	14,400	4,100	5,400
50.800	105.000	37.000	36.000	29.000	138	189	14,000	19,300	3,600	4,800
	110.000	22.000	21.996	18.824	89.5	120	9,150	12,300	3,200	4,300
	82.550	21.590	22.225	16.510	69.5	94.0	7,100	9,600	4,300	5,700
	85.000	17.462	17.462	13.495	49.5	65.0	5,050	6,600	4,200	5,600
	88.900	17.462	17.462	13.495	49.5	65.0	5,050	6,600	4,200	5,600
	88.900	20.638	22.225	16.513	76.5	90.5	7,800	9,250	4,100	5,500
	88.900	20.638	22.225	16.513	76.5	90.5	7,800	9,250	4,100	5,500
	90.000	20.000	22.225	15.875	76.5	90.5	7,800	9,250	4,100	5,500
	92.075	24.608	25.400	19.845	83.5	116	8,550	11,800	4,000	5,300
	93.264	30.162	30.302	23.812	102	134	10,400	13,700	4,000	5,300
	93.264	30.162	30.302	23.812	102	134	10,400	13,700	4,000	5,300
	95.250	27.783	28.575	22.225	107	139	10,900	14,200	3,900	5,200
95.250	30.162	30.302	23.812	102	134	10,400	13,700	4,000	5,300	
96.838	21.000	21.946	15.875	78.0	96.5	7,950	9,850	3,700	5,000	
97.630	24.608	24.608	19.446	88.5	128	9,000	13,000	3,700	4,900	
98.425	30.162	30.302	23.812	102	134	10,400	13,700	4,000	5,300	

Note: 1. With regard to the chamfer dimensions on the back face of the inner and outer rings, installation dimensions r_{i1} and r_{i2} are larger than the maximum value.
2. For the inner bore diameter of bearings with bearing numbers marked "+" (inner ring), this value applies only to high precision class types, Class 4 and 2.



Equivalent bearing load dynamic

$$P_r = XF_r + YF_a$$

$\frac{F_a}{F_r}$	e	$\frac{F_a}{F_r} > e$	
X	Y	X	Y
1	0	0.4	Y_2

static

$$P_{or} = 0.5F_r + Y_0F_a$$

When $P_{or} < F_r$ use $P_{or} = F_r$

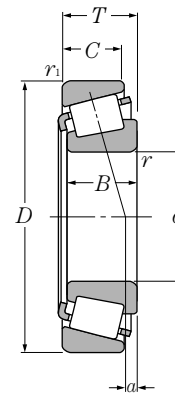
For values of e , Y_2 and Y_0 see the table below.

Bearing numbers	Abutment and fillet dimensions						Load center mm	Constant	Axial load factors		Mass kg
	mm								a	e	
	d_a	d_b	D_a	D_b	r_{as} max	r_{1as} max					(approx.)
4T-45282/45220	63	57	93	99	3.5	3.3	7.9	0.33	1.80	0.99	1.29
4T-55187C/55437	69	62	92	105	3.5	3.3	-7.4 [●]	0.88	0.68	0.37	1.4
4T-72188C/72487	69	67	102	116	0.8	3.3	-1.5 [●]	0.74	0.81	0.45	2.16
4T-HM804848/HM804810	63	57	81	91	2.3	3.3	3.7	0.55	1.10	0.60	0.967
4T-HM804849/HM804810	66	57	81	91	3.5	3.3	3.7	0.55	1.10	0.60	0.964
4T-3781/3720	62	56	82	88	3.5	3.3	8.3	0.34	1.77	0.97	0.877
4T-5395/5335	66	60	89	97	3.5	3.3	16.1	0.30	2.02	1.11	1.75
4T-HM807044/HM807010	69	63	89	100	3.5	3.3	7.4	0.49	1.23	0.68	1.52
4T-65390/65320	70	60	97	107	3.5	3.3	12.5	0.43	1.39	0.77	2.23
4T-HH506348/HH506310	71	61	97	107	3.5	3.3	13.3	0.40	1.49	0.82	2.33
4T-LM104947A†/LM104911	55	55	75	78	0.5	1.3	5.8	0.31	1.97	1.08	0.434
4T-28579†/28521	60	56	83	87	2.3	0.8	4.6	0.38	1.59	0.87	0.718
4T-HH506349†/HH506310	72	61	97	107	3.5	3.3	13.3	0.40	1.49	0.82	2.27
#4T-JLM104948/JLM104910	60	55	76	78	3	0.5	5.4	0.31	1.97	1.08	0.42
#4T-JLM704649/JLM704610	62	56	76	80	3.5	1.5	2.3	0.44	1.37	0.75	0.466
4T-365/362A	58	55	81	84	2	1.3	4.0	0.32	1.88	1.03	0.53
4T-366/362A	59	55	81	84	2.3	1.3	4.0	0.32	1.88	1.03	0.529
#4T-JM205149/JM205110	62	57	80	85	3	2.5	7.4	0.33	1.82	1.00	0.752
#4T-JHM807045/JHM807012	69	63	90	100	3	2.5	7.5	0.49	1.23	0.68	1.52
4T-396/394A	61	60	101	104	0.8	1.3	0.7	0.40	1.49	0.82	1.06
4T-LM104949/LM104911	62	55	75	78	3.5	1.3	5.8	0.31	1.97	1.08	0.419
4T-18790/18720	62	56	77	80	3.5	1.5	0.8	0.41	1.48	0.81	0.374
4T-18790/18724	62	56	78	82	3.5	1.3	0.8	0.41	1.48	0.81	0.431
4T-368/362A	58	56	81	84	1.5	1.3	4.0	0.32	1.88	1.03	0.519
4T-370A/362A	65	56	81	84	5	1.3	4.0	0.32	1.88	1.03	0.511
4T-368A/362	62	56	81	84	3.5	2	4.0	0.32	1.88	1.03	0.525
4T-28580/28521	63	57	83	87	3.5	0.8	4.6	0.38	1.59	0.87	0.703
4T-3775/3720	58	58	82	88	0.8	3.3	8.3	0.34	1.77	0.97	0.852
4T-3780/3720	64	58	82	88	3.5	3.3	8.3	0.34	1.77	0.97	0.848
4T-33889/33821	64	58	85	90	3.5	2.3	8.0	0.33	1.82	1.00	0.876
4T-3780/3726	64	58	83	89	3.5	3.3	8.3	0.34	1.77	0.97	0.903
4T-385A/382A	61	60	89	92	2.3	0.8	3.1	0.35	1.69	0.93	0.676
4T-28678/28622	65	58	88	92	3.5	0.8	3.3	0.40	1.49	0.82	0.852
4T-3780/3732	64	58	84	90	3.5	3.3	8.3	0.34	1.77	0.97	0.993

Note: 3. Bearing numbers marked "# " designate **J-series** bearings. The tolerances of these bearings is listed in **Table 6.6** on **page A-40**.

● " - " means that load center at outside on end of inner ring.

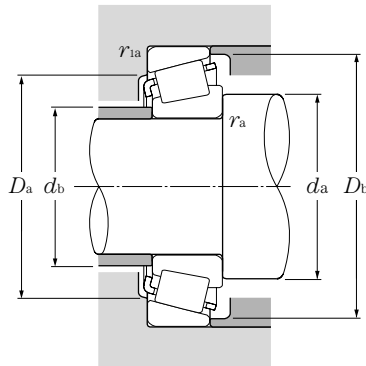
Inch system sizes J system series



d 50.800 ~ 55.000mm

d	Boundary dimensions				Basic load ratings				Limiting speeds	
	D	T	B	C	dynamic C _r	static C _{or}	dynamic C _r	static C _{or}	grease	oil
	mm				kN		kgf		rpm	
50.800	101.600	31.750	31.750	25.400	110	136	11,200	13,900	3,700	5,000
	101.600	34.925	36.068	26.988	135	165	13,800	16,800	3,800	5,000
	104.775	30.162	29.317	24.605	115	148	11,700	15,000	3,500	4,700
	104.775	30.162	30.958	23.812	130	169	13,200	17,300	3,500	4,700
	104.775	36.512	36.512	28.575	138	189	14,000	19,300	3,600	4,800
	104.775	36.512	36.512	28.575	143	178	14,500	18,100	3,700	4,900
	107.950	36.512	36.957	28.575	141	177	14,400	18,100	3,600	4,800
	111.125	30.162	28.575	20.638	104	136	10,600	13,900	3,200	4,200
	112.712	30.162	26.909	20.638	104	136	10,600	13,900	3,200	4,200
	112.712	30.162	30.048	23.812	119	174	12,200	17,800	3,200	4,300
	112.712	30.162	30.162	23.812	138	195	14,100	19,800	3,200	4,200
	117.475	33.338	31.750	23.812	130	153	13,200	15,600	3,300	4,400
120.650	41.275	41.275	31.750	172	213	17,500	21,700	3,300	4,400	
123.825	36.512	32.791	25.400	154	188	15,700	19,200	2,900	3,900	
123.825	38.100	36.678	30.162	158	216	16,100	22,000	3,000	4,100	
51.592	88.900	20.638	22.225	16.513	76.5	90.5	7,800	9,250	4,100	5,500
52.388	92.075	24.608	25.400	19.845	83.5	116	8,550	11,800	4,000	5,300
	93.264	30.162	30.302	23.812	102	134	10,400	13,700	4,000	5,300
	95.250	27.783	28.575	22.225	107	139	10,900	14,200	3,900	5,200
53.975	88.900	19.050	19.050	13.492	61.0	82.5	6,200	8,450	4,000	5,300
	95.250	27.783	28.575	22.225	107	139	10,900	14,200	3,900	5,200
	96.838	21.000	21.946	15.875	78.0	96.5	7,950	9,850	3,700	5,000
	104.775	30.162	30.958	23.812	130	169	13,200	17,300	3,500	4,700
	104.775	36.512	36.512	28.575	138	189	14,000	19,300	3,600	4,800
	107.950	36.512	36.957	28.575	141	177	14,400	18,100	3,600	4,800
	120.650	41.275	41.275	31.750	172	213	17,500	21,700	3,300	4,400
	122.238	33.338	31.750	23.812	134	163	13,700	16,600	3,100	4,200
	122.238	43.658	43.764	36.512	194	283	19,700	28,900	3,100	4,100
	123.825	36.512	32.791	25.400	154	188	15,700	19,200	2,900	3,900
123.825	38.100	36.678	30.162	158	216	16,100	22,000	3,000	4,100	
130.175	36.512	33.338	23.812	156	186	15,900	19,000	2,700	3,600	
140.030	36.512	33.236	23.520	171	212	17,400	21,600	2,600	3,400	
54.488	104.775	36.512	36.512	28.575	138	189	14,000	19,300	3,600	4,800
55.000	90.000	23.000	23.000	18.500	77.5	109	7,900	11,100	3,900	5,300

Note: 1. With regard to the chamfer dimensions on the back face of the inner and outer rings, installation dimensions r_{is} and r_{os} are larger than the maximum value.
2. Bearing numbers marked "#" designate J-series bearings. The tolerances of these bearings is listed in Table 6.6 on page A-40.



Equivalent bearing load dynamic

$$P_r = XF_r + YF_a$$

$\frac{F_a}{F_r} \leq e$		$\frac{F_a}{F_r} > e$	
X	Y	X	Y
1	0	0.4	Y ₂

static

$$P_{or} = 0.5F_r + Y_0F_a$$

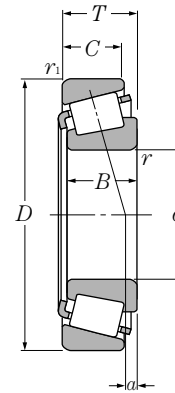
When $P_{or} < F_r$ use $P_{or} = F_r$

For values of e , Y_2 and Y_0 see the table below.

Bearing numbers	Abutment and fillet dimensions						Load center mm	Constant e	Axial load factors		Mass kg (approx.)		
	mm								a	e		Y ₂	Y ₀
	d _a	d _b	D _a	D _b	r _{as} max	r _{1as} max							
4T-49585/49520	66	59	88	96	3.5	3.3	7.1	0.40	1.50	0.82	1.13		
4T-529/522	59	58	89	95	0.8	3.3	12.9	0.29	2.10	1.16	1.24		
4T-455/453X	60	59	92	98	0.8	3.3	7.1	0.34	1.79	0.98	1.19		
4T-45284/45220	71	59	93	99	6.4	3.3	7.9	0.33	1.80	0.99	1.22		
4T-HM807046/HM807010	70	63	89	100	3.5	3.3	7.4	0.49	1.23	0.68	1.49		
4T-59200/59412	68	61	92	99	3.5	3.3	9.6	0.40	1.49	0.82	1.44		
4T-537/532X	65	59	94	100	3.5	3.3	12.3	0.30	2.02	1.11	1.55		
4T-HM907643/HM907614	74	65	91	105	3.5	3.3	-7.2 ^①	0.88	0.68	0.37	1.36		
4T-55200C/55443	71	65	92	106	3.5	3.3	-7.4 ^①	0.88	0.68	0.37	1.34		
4T-3975/3920	68	61	99	106	3.5	3.3	4.5	0.40	1.49	0.82	1.53		
4T-39575/39520	68	61	101	107	3.5	3.3	6.6	0.34	1.77	0.97	1.54		
4T-66200/66462	71	65	100	111	3.5	3.3	0.4	0.63	0.96	0.53	1.67		
4T-619/612	67	61	105	110	3.5	3.3	14.4	0.31	1.91	1.05	2.3		
4T-72200C/72487	77	67	102	116	3.5	3.3	-1.5 ^①	0.74	0.81	0.45	2.1		
4T-555/552A	66	62	109	116	2.3	3.3	9.4	0.35	1.73	0.95	2.34		
4T-368S/362A	59	56	81	84	2	1.3	4.0	0.32	1.88	1.03	0.507		
4T-28584/28521	65	58	83	87	3.5	0.8	4.6	0.38	1.59	0.87	0.677		
4T-3767/3720	63	59	82	88	2.3	3.3	8.3	0.34	1.77	0.97	0.819		
4T-33890/33821	61	59	85	90	1.5	2.3	8.0	0.33	1.82	1.00	0.851		
4T-LM806649/LM806610	63	60	80	85	2.3	2	-2.2 ^①	0.55	1.10	0.60	0.437		
4T-33895/33822	63	60	86	90	1.5	0.8	8.0	0.33	1.82	1.00	0.824		
4T-389A/382A	61	60	89	92	0.8	0.8	3.1	0.35	1.69	0.93	0.633		
4T-45287/45220	62	62	93	99	0.8	3.3	7.9	0.33	1.80	0.99	1.17		
4T-HM807049/HM807010	73	63	89	100	3.5	3.3	7.4	0.49	1.23	0.68	1.41		
4T-539/532X	68	61	94	100	3.5	3.3	12.3	0.30	2.02	1.11	1.47		
4T-621/612	70	63	105	110	3.5	3.3	14.4	0.31	1.91	1.05	2.21		
4T-66584/66520	75	68	105	116	3.5	3.3	-1.8 ^①	0.67	0.90	0.50	1.79		
4T-5578/5535	73	67	106	116	3.5	3.3	13.3	0.36	1.67	0.92	2.64		
4T-72212C/72487	79	67	102	116	3.5	3.3	-1.5 ^①	0.74	0.81	0.45	2.03		
4T-557S/552A	71	65	109	116	3.5	3.3	9.4	0.35	1.73	0.95	2.26		
4T-HM911242/HM911210	79	74	109	124	3.5	3.3	-5.2 ^①	0.82	0.73	0.40	2.27		
4T-78214C/78551	79	77	117	132	0.8	2.3	-8.5 ^①	0.87	0.69	0.38	2.77		
4T-HM807048/HM807010	73	63	89	100	3.5	3.3	7.4	0.49	1.23	0.68	1.40		
#4T-JLM506849/JLM506810	63	61	82	86	1.5	0.5	2.8	0.40	1.49	0.82	0.558		

① " - " means that load center at outside on end of inner ring.

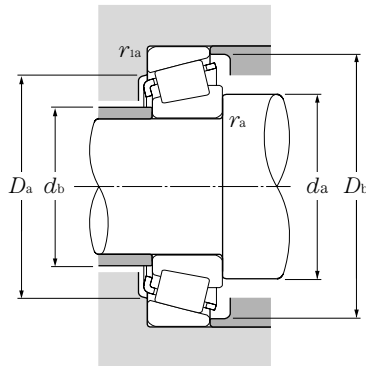
Inch system sizes
J system series



d 55.000 ~ 60.000mm

d	Boundary dimensions				Basic load ratings				Limiting speeds	
	D	T	B	C	dynamic kN	static kN	dynamic kgf	static kgf	grease rpm	oil rpm
55.000	95.000	29.000	29.000	23.500	107	144	10,900	14,700	3,800	5,100
	96.838	21.000	21.946	15.875	78.0	96.5	7,950	9,850	3,700	5,000
	110.000	39.000	39.000	32.000	173	219	17,600	22,400	3,500	4,600
55.562	97.630	24.608	24.608	19.446	88.5	128	9,000	13,000	3,700	4,900
	123.825	36.512	32.791	25.400	154	188	15,700	19,200	2,900	3,900
	127.000	36.512	36.512	26.988	163	228	16,600	23,300	2,900	3,800
55.575	96.838	21.000	21.946	15.875	78	96.5	7,950	9,850	3,700	5,000
57.150	96.838	21.000	21.946	15.875	78	96.5	7,950	9,850	3,700	5,000
	96.838	21.000	21.946	15.875	78	96.5	7,950	9,850	3,700	5,000
	96.838	21.000	21.946	15.875	78	96.5	7,950	9,850	3,700	5,000
	96.838	21.000	21.946	15.875	78	96.5	7,950	9,850	3,700	5,000
	97.630	24.608	24.608	19.446	88.5	128	9,000	13,000	3,700	4,900
	104.775	30.162	29.317	24.605	115	148	11,700	15,000	3,500	4,700
	104.775	30.162	29.317	24.605	115	148	11,700	15,000	3,500	4,700
	104.775	30.162	30.958	23.812	130	169	13,200	17,300	3,500	4,700
	107.950	27.783	29.317	22.225	115	148	11,700	15,000	3,500	4,700
	110.000	22.000	21.996	18.824	89.5	120	9,150	12,300	3,200	4,300
	110.000	27.795	29.317	27.000	115	148	11,700	15,000	3,500	4,700
	112.712	30.162	30.048	23.812	119	174	12,200	17,800	3,200	4,300
	112.712	30.162	30.162	23.812	138	195	14,100	19,800	3,200	4,200
	112.712	30.162	30.162	23.812	138	195	14,100	19,800	3,200	4,200
	117.475	30.162	30.162	23.812	117	175	11,900	17,900	3,000	4,000
117.475	33.338	31.750	23.812	130	153	13,200	15,600	3,300	4,400	
120.650	41.275	41.275	31.750	172	213	17,500	21,700	3,300	4,400	
123.825	36.512	32.791	25.400	154	188	15,700	19,200	2,900	3,900	
123.825	38.100	36.678	30.162	158	216	16,100	22,000	3,000	4,100	
140.030	36.512	33.236	23.520	171	212	17,400	21,600	2,600	3,400	
57.531	96.838	21.000	21.946	15.875	78.0	96.5	7,950	9,850	3,700	5,000
59.972	122.238	33.338	31.750	23.812	134	163	13,700	16,600	3,100	4,200
59.987	146.050	41.275	39.688	25.400	199	234	20,300	23,900	2,400	3,200
60.000	95.000	24.000	24.000	19.000	83.0	122	8,500	12,400	3,700	4,900
	107.950	25.400	25.400	19.050	91.5	140	9,350	14,200	3,200	4,300

Note: 1. With regard to the chamfer dimensions on the back face of the inner and outer rings, installation dimensions r_{i1} and r_{i2} are larger than the maximum value.
2. For the inner bore diameter of bearings with bearing numbers marked "+" (inner ring), this value applies only to high precision class types, Class 4 and 2.



Equivalent bearing load dynamic

$$P_r = XF_r + YF_a$$

$\frac{F_a}{F_r} \leq e$		$\frac{F_a}{F_r} > e$	
X	Y	X	Y
1	0	0.4	Y_2

static

$$P_{or} = 0.5F_r + Y_0F_a$$

When $P_{or} < F_r$ use $P_{or} = F_r$

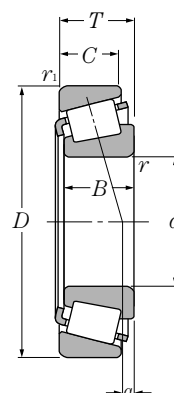
For values of e , Y_2 and Y_0 see the table below.

Bearing numbers	Abutment and fillet dimensions						Load center mm	Constant	Axial		Mass kg		
	mm								a	e		Y_2	Y_0
	d_a	d_b	D_a	D_b	r_{as} max	r_{1as} max							
#4T-JM207049/JM207010	64	62	85	91	1.5	2.5	7.6	0.33	1.79	0.99	0.82		
4T-385/382A	65	61	89	92	2.3	0.8	3.1	0.35	1.69	0.93	0.616		
#4T-JH307749/JH307710	71	64	97	104	3	2.5	11.7	0.35	1.73	0.95	1.71		
4T-28680/28622	68	62	88	92	3.5	0.8	3.3	0.40	1.49	0.82	0.774		
4T-72218C/72487	80	67	102	116	3.5	3.3	-1.5 [●]	0.74	0.81	0.45	1.99		
4T-HM813840/HM813810	76	70	111	121	3.5	3.3	3.7	0.50	1.20	0.66	2.34		
4T-389/382A	65	61	89	92	2.3	0.8	3.1	0.35	1.69	0.93	0.608		
4T-387/382A	66	62	89	92	2.3	0.8	3.1	0.35	1.69	0.93	0.583		
4T-387A/382A	69	62	89	92	3.5	0.8	3.1	0.35	1.69	0.93	0.581		
4T-387AS/382A	72	62	89	92	5	0.8	3.1	0.35	1.69	0.93	0.576		
4T-387S/382A	63	62	89	92	0.8	0.8	3.1	0.35	1.69	0.93	0.585		
4T-28682/28622	70	63	88	92	3.5	0.8	3.3	0.40	1.49	0.82	0.747		
4T-462/453X	67	63	92	98	2.3	3.3	7.1	0.34	1.79	0.98	1.06		
4T-469/453X	70	63	92	98	3.5	3.3	7.1	0.34	1.79	0.98	1.06		
4T-45289/45220	65	65	93	99	0.8	3.3	7.9	0.33	1.80	0.99	1.1		
4T-469/453A	70	63	97	100	3.5	0.8	7.1	0.34	1.79	0.98	1.11		
4T-390/394A	70	66	101	104	2.3	1.3	0.7	0.40	1.49	0.82	0.954		
4T-469/454	70	63	96	100	3.5	2	7.1	0.34	1.79	0.98	1.24		
4T-3979/3920	72	66	99	106	3.5	3.3	4.5	0.40	1.49	0.82	1.4		
4T-39580/39520	72	66	101	107	3.5	3.3	6.6	0.34	1.77	0.97	1.41		
4T-39581/39520	81	66	101	107	8	3.3	6.6	0.34	1.77	0.97	1.4		
4T-33225/33462	74	68	104	112	3.5	3.3	2.6	0.44	1.38	0.76	1.58		
4T-66225/66462	76	69	100	111	3.5	3.3	0.4	0.63	0.96	0.53	1.54		
4T-623/612	72	66	105	110	3.5	3.3	14.4	0.31	1.91	1.05	2.12		
4T-72225C/72487	81	67	102	116	3.5	3.3	-1.5 [●]	0.74	0.81	0.45	1.96		
4T-555S/552A	73	67	109	116	3.5	3.3	9.4	0.35	1.73	0.95	2.18		
4T-78225/78551	83	77	117	132	3.5	2.3	-8.5 [●]	0.87	0.69	0.38	2.69		
4T-388A/382A	69	63	89	92	3.5	0.8	3.1	0.35	1.69	0.93	0.575		
4T-66589/66520	74	73	105	116	0.8	3.3	-1.8 [●]	0.67	0.90	0.50	1.66		
4T-H913840†/H913810	88	82	124	138	3.5	3.3	-4.3 [●]	0.78	0.77	0.42	3.22		
#4T-JLM508748/JLM508710	75	66	85	91	5	2.5	3.0	0.40	1.49	0.82	0.606		
4T-29580/29520	75	68	96	103	3.5	3.3	0.6	0.46	1.31	0.72	0.992		

Note: 3. Bearing numbers marked " # " designate **J-series** bearings. The tolerances of these bearings is listed in **Table 6.6** on **page A-40**.

● " - " means that load center at outside on end of inner ring.

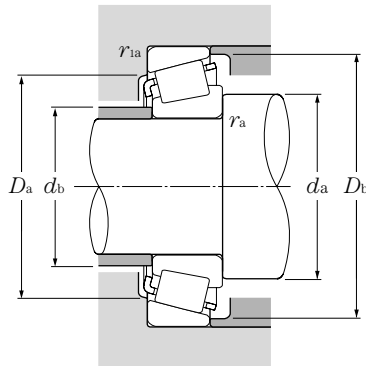
Inch system sizes J system series



d 60.000 ~ 65.000mm

d	Boundary dimensions				Basic load ratings				Limiting speeds	
	mm				dynamic	static	dynamic	static	rpm	
	D	T	B	C	C_r	C_{or}	C_r	C_{or}	grease	oil
60.000	110.000	22.000	21.996	18.824	89.5	120	9,150	12,300	3,200	4,300
	130.000	34.100	30.924	22.650	156.0	186	15,900	19,000	2,700	3,600
60.325	100.000	25.400	25.400	19.845	90.5	134	9,200	13,600	3,500	4,700
	112.712	30.162	30.048	23.812	119	174	12,200	17,800	3,200	4,300
	122.238	38.100	38.354	29.718	187	244	19,100	24,900	3,100	4,100
	122.238	43.658	43.764	36.512	194	283	19,700	28,900	3,100	4,100
	123.825	38.100	36.678	30.162	158	216	16,100	22,000	3,000	4,100
	127.000	36.512	36.512	26.988	163	228	16,600	23,300	2,900	3,800
	127.000	44.450	44.450	34.925	203	263	20,700	26,800	3,100	4,200
130.175	36.512	33.338	23.812	156	186	15,900	19,000	2,700	3,600	
61.912	110.000	22.000	21.996	18.824	89.5	120	9,150	12,300	3,200	4,300
	136.525	46.038	46.038	36.512	224	355	22,800	36,500	2,600	3,500
	146.050	41.275	39.688	25.400	199	234	20,300	23,900	2,400	3,200
61.976	101.600	24.608	24.608	19.845	90.5	134	9,200	13,600	3,500	4,700
62.738	101.600	25.400	25.400	19.845	90.5	134	9,200	13,600	3,500	4,700
63.500	94.458	19.050	19.050	15.083	60.5	103	6,150	10,500	3,600	4,800
	107.950	25.400	25.400	19.050	91.5	140	9,350	14,200	3,200	4,300
	107.950	25.400	25.400	19.050	91.5	140	9,350	14,200	3,200	4,300
	110.000	22.000	21.996	18.824	89.5	120	9,150	12,300	3,200	4,300
	110.000	25.400	25.400	19.050	91.5	140	9,350	14,200	3,200	4,300
	112.712	30.162	30.048	23.812	119	174	12,200	17,800	3,200	4,300
	112.712	30.162	30.162	23.812	138	195	14,100	19,800	3,200	4,200
	120.000	29.794	29.007	24.237	128	177	13,000	18,100	3,000	4,000
	120.000	29.794	29.007	24.237	128	177	13,000	18,100	3,000	4,000
	122.238	38.100	38.354	29.718	187	244	19,100	24,900	3,100	4,100
	122.238	43.658	43.764	36.512	194	283	19,700	28,900	3,100	4,100
	123.825	38.100	36.678	30.162	158	216	16,100	22,000	3,000	4,100
	127.000	36.512	36.170	28.575	163	229	16,600	23,300	2,900	3,800
	127.000	36.512	36.512	26.988	163	228	16,600	23,300	2,900	3,800
136.525	41.275	41.275	31.750	194	262	19,800	26,700	2,800	3,800	
140.030	36.512	33.236	23.520	171	212	17,400	21,600	2,600	3,400	
65.000	105.000	24.000	23.000	18.500	85.0	117	8,700	11,900	3,300	4,500
	110.000	28.000	28.000	22.500	119	174	12,200	17,800	3,200	4,300

Note: 1. With regard to the chamfer dimensions on the back face of the inner and outer rings, installation dimensions r_{is} and r_{os} are larger than the maximum value.
2. Bearing numbers marked "#" designate J-series bearings. The accuracy of these bearings is listed in Table 6.6 on page A-40.



Equivalent bearing load dynamic

$$P_r = XF_r + YF_a$$

$\frac{F_a}{F_r} \leq e$		$\frac{F_a}{F_r} > e$	
X	Y	X	Y
1	0	0.4	Y_2

static

$$P_{or} = 0.5F_r + Y_0F_a$$

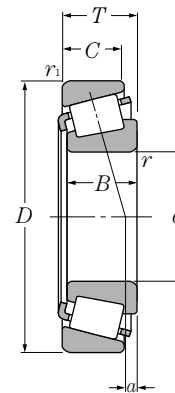
When $P_{or} < F_r$ use $P_{or} = F_r$

For values of e , Y_2 and Y_0 see the table below.

Bearing numbers	Abutment and fillet dimensions						Load center mm	Constant e	Axial load factors		Mass kg (approx.)		
	mm								a	e		Y_2	Y_0
	d_a	d_b	D_a	D_b	r_{as} max	r_{1as} max							
4T-397/394A #4T-JHM911244/JHM911211	69 84	68 74	101 109	104 123	0.8 3.5	1.3 3.3	0.7 -7.6 ^①	0.40 0.82	1.49 0.73	0.82 0.40	0.91 2.01		
4T-28985/28921	73	67	89	96	3.5	3.3	2.5	0.43	1.41	0.78	0.772		
4T-3980/3920	75	68	99	106	3.5	3.3	4.5	0.40	1.49	0.82	1.33		
4T-HM212044/HM212011	85	70	108	116	8	3.3	11.1	0.34	1.78	0.98	2.02		
4T-5583/5535	78	72	106	116	3.5	3.3	13.3	0.36	1.67	0.92	2.44		
4T-558/552A	73	69	109	116	2.3	3.3	9.4	0.35	1.73	0.95	2.1		
4T-HM813841/HM813810	80	73	111	121	3.5	3.3	3.7	0.50	1.20	0.66	2.21		
4T-65237/65500	82	71	107	119	3.5	3.3	9.3	0.49	1.23	0.68	2.65		
4T-HM911245/HM911210	87	74	109	124	5	3.3	-5.2 ^①	0.82	0.73	0.40	2.12		
4T-392/394A	70	69	101	104	0.8	1.3	0.7	0.40	1.49	0.82	0.879		
4T-H715334/H715311	86	79	118	132	3.5	3.3	8.7	0.47	1.27	0.70	3.47		
4T-H913842/H913810	90	82	124	138	3.5	3.3	-4.3 ^①	0.78	0.77	0.42	3.17		
4T-28990/28920	72	68	90	97	2	3.3	1.7	0.43	1.41	0.78	0.768		
4T-28995/28920	75	69	90	97	3.5	3.3	2.5	0.43	1.41	0.78	0.764		
4T-L610549/L610510	71	69	86	91	1.5	1.5	-0.6 ^①	0.42	1.41	0.78	0.449		
4T-29585/29520	77	71	96	103	3.5	3.3	0.6	0.46	1.31	0.72	0.924		
4T-29586/29520	73	71	96	103	1.5	3.3	0.6	0.46	1.31	0.72	0.929		
4T-390A/394A	73	70	101	104	1.5	1.3	0.7	0.40	1.49	0.82	0.851		
4T-29585/29521	77	71	99	104	3.5	1.3	0.6	0.46	1.31	0.72	0.982		
4T-3982/3920	77	71	99	106	3.5	3.3	4.5	0.40	1.49	0.82	1.26		
4T-39585/39520	77	71	101	107	3.5	3.3	6.6	0.34	1.77	0.97	1.27		
4T-477/472	73	72	107	114	0.8	2	3.9	0.38	1.56	0.86	1.49		
4T-483/472	78	72	107	114	3.5	2	3.9	0.38	1.56	0.86	1.48		
4T-HM212046/HM212011	80	73	108	116	3.5	3.3	11.1	0.34	1.78	0.98	1.95		
4T-5584/5535	81	75	106	116	3.5	3.3	13.3	0.36	1.67	0.92	2.34		
4T-559/552A	78	72	109	116	3.5	3.3	9.4	0.35	1.73	0.95	2.01		
4T-565/563	80	73	112	120	3.5	3.3	8.3	0.36	1.65	0.91	2.11		
4T-HM813842/HM813810	82	76	111	121	3.5	3.3	3.7	0.50	1.20	0.66	2.12		
4T-639/632	81	74	118	125	3.5	3.3	11.4	0.36	1.66	0.91	2.85		
4T-78250/78551	85	79	117	132	2.3	2.3	-8.5 ^①	0.87	0.69	0.38	2.54		
#4T-JLM710949/JLM710910	77	71	96	101	3	1	0.3	0.45	1.32	0.73	0.742		
#4T-JM511946/JM511910	78	72	99	105	3	2.5	3.4	0.40	1.49	0.82	1.08		

① " - " means that load center at outside on end of inner ring.

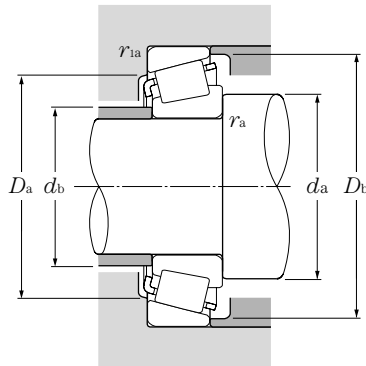
Inch system sizes
J system series



d 65.000 ~ 70.000mm

d	Boundary dimensions				Basic load ratings				Limiting speeds	
	D	T	B	C	dynamic kN	static kN	dynamic kgf	static kgf	grease rpm	oil rpm
65.000	120.000	39.000	38.500	32.000	185	248	18,800	25,300	3,100	4,100
65.088	135.755	53.975	56.007	44.450	278	380	28,300	38,500	2,900	3,800
66.675	103.213	17.602	17.602	11.989	60.0	78.0	6,100	8,000	3,300	4,400
	107.950	25.400	25.400	19.050	91.5	140	9,350	14,200	3,200	4,300
	110.000	22.000	21.996	18.824	89.5	120	9,150	12,300	3,200	4,300
	112.712	30.162	30.048	23.812	119	174	12,200	17,800	3,200	4,300
	112.712	30.162	30.048	23.812	119	174	12,200	17,800	3,200	4,300
	112.712	30.162	30.162	23.812	138	195	14,100	19,800	3,200	4,200
	122.238	38.100	38.354	29.718	187	244	19,100	24,900	3,100	4,100
	123.825	38.100	36.678	30.162	158	216	16,100	22,000	3,000	4,100
	127.000	36.512	36.512	26.988	163	228	16,600	23,300	2,900	3,800
	130.175	41.275	41.275	31.750	194	262	19,800	26,700	2,800	3,800
135.755	53.975	56.007	44.450	278	380	28,300	38,500	2,900	3,800	
136.525	41.275	41.275	31.750	194	262	19,800	26,700	2,800	3,800	
136.525	41.275	41.275	31.750	226	293	23,100	29,900	2,700	3,700	
68.262	110.000	22.000	21.996	18.824	89.5	120	9,150	12,300	3,200	4,300
	120.000	29.794	29.007	24.237	128	177	13,000	18,100	3,000	4,000
	123.825	38.100	36.678	30.162	158	216	16,100	22,000	3,000	4,100
	136.525	41.275	41.275	31.750	226	293	23,100	29,900	2,700	3,700
	136.525	46.038	46.038	36.512	224	355	22,800	36,500	2,600	3,500
69.850	112.712	25.400	25.400	19.050	95.5	151	9,750	15,400	3,100	4,100
	117.475	30.162	30.162	23.812	117	175	11,900	17,900	3,000	4,000
	120.000	29.794	29.007	24.237	128	177	13,000	18,100	3,000	4,000
	120.000	32.545	32.545	26.195	147	214	15,000	21,800	3,000	4,000
	120.650	25.400	25.400	19.050	95.5	151	9,750	15,400	3,100	4,100
	127.000	36.512	36.170	28.575	163	229	16,600	23,300	2,900	3,800
	136.525	41.275	41.275	31.750	194	262	19,800	26,700	2,800	3,800
	146.050	41.275	41.275	31.750	206	295	21,000	30,000	2,500	3,300
150.089	44.450	46.672	36.512	261	360	26,600	37,000	2,400	3,200	
168.275	53.975	56.363	41.275	340	460	34,500	46,500	2,200	3,000	
69.952	121.442	24.608	23.012	17.462	91.0	127	9,300	13,000	2,900	3,800
70.000	110.000	26.000	25.000	20.500	97.0	150	9,900	15,300	3,200	4,200
	115.000	29.000	29.000	23.000	124	171	12,700	17,500	3,100	4,100

Note: 1. With regard to the chamfer dimensions on the back face of the inner and outer rings, installation dimensions r_{is} and r_{is} are larger than the maximum value.
2. Bearing numbers marked "#" designate J-series bearings. The tolerances of these bearings is listed in Table 6.6 on page A-40.



Equivalent bearing load dynamic

$$P_r = XF_r + YF_a$$

$\frac{F_a}{F_r} \leq e$		$\frac{F_a}{F_r} > e$	
X	Y	X	Y
1	0	0.4	Y ₂

static

$$P_{or} = 0.5F_r + Y_0F_a$$

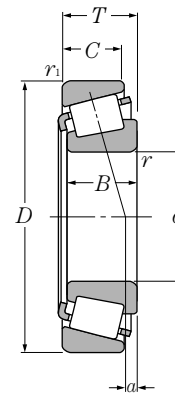
When $P_{or} < F_r$ use $P_{or} = F_r$

For values of e , Y_2 and Y_0 see the table below.

Bearing numbers	Abutment and fillet dimensions						Load center mm	Constant	Axial load factors		Mass kg
	mm								a	e	
	d_a	d_b	D_a	D_b	r_{as} max	r_{1as} max					(approx.)
#4T-JH211749/JH211710	80	74	107	114	3	2.5	10.9	0.34	1.78	0.98	1.90
4T-6379/6320	84	77	117	126	3.5	3.3	18.8	0.32	1.85	1.02	3.71
4T-L812148/L812111	74	72	96	99	1.5	0.8	-3.7 ^①	0.49	1.23	0.68	0.48
4T-29590/29520	80	73	96	103	3.5	3.3	0.6	0.46	1.31	0.72	0.86
4T-395A/394A	73	73	101	104	0.8	1.3	0.7	0.40	1.49	0.82	0.796
4T-3984/3925	80	74	101	106	3.5	0.8	4.5	0.40	1.49	0.82	1.19
4T-3994/3920	84	74	99	106	5.5	3.3	4.5	0.40	1.49	0.82	1.18
4T-39590/39520	80	74	101	107	3.5	3.3	6.6	0.34	1.77	0.97	1.19
4T-HM212049/HM212010	82	75	110	116	3.5	1.5	11.1	0.34	1.78	0.98	1.86
4T-560/552A	81	75	109	116	3.5	3.3	9.4	0.35	1.73	0.95	1.92
4T-HM813844/HM813810	85	78	111	121	3.5	3.3	3.7	0.50	1.20	0.66	2.03
4T-641/633	83	77	116	124	3.5	3.3	11.4	0.36	1.66	0.91	2.41
4T-6386/6320	87	77	117	126	4.3	3.3	18.8	0.32	1.85	1.02	3.64
4T-641/632	83	77	118	125	3.5	3.3	11.4	0.36	1.66	0.91	2.74
4T-H414242/H414210	85	81	121	129	3.5	3.3	11.0	0.36	1.67	0.92	2.75
4T-399A/394A	78	74	101	104	2.3	1.3	0.7	0.40	1.49	0.82	0.764
4T-480/472	82	75	107	114	3.5	2	3.9	0.38	1.56	0.86	1.37
4T-560S/552A	83	76	109	116	3.5	3.3	9.4	0.35	1.73	0.95	1.87
4T-H414245/H414210	86	82	121	129	3.5	3.3	11.0	0.36	1.67	0.92	2.7
4T-H715343/H715311	90	84	118	132	3.5	3.3	8.7	0.47	1.27	0.70	3.24
4T-29675/29620	80	77	101	109	1.5	3.3	-0.9 ^①	0.49	1.23	0.68	0.949
4T-33275/33462	84	77	104	112	3.5	3.3	2.6	0.44	1.38	0.76	1.28
4T-482/472	83	77	107	114	3.5	2	3.9	0.38	1.56	0.86	1.33
4T-47487/47420	84	78	107	114	3.5	3.3	6.1	0.36	1.67	0.92	1.47
4T-29675/29630	80	77	104	113	1.5	3.3	-0.9 ^①	0.49	1.23	0.68	1.17
4T-566/563	85	78	112	120	3.5	3.3	8.3	0.36	1.65	0.91	1.92
4T-643/632	86	80	118	125	3.5	3.3	11.4	0.36	1.66	0.91	2.63
4T-655/653	88	82	131	139	3.5	3.3	8.0	0.41	1.47	0.81	3.28
4T-745A/742	88	82	134	142	3.5	3.3	12.0	0.33	1.84	1.01	3.92
4T-835/832	91	84	149	155	3.5	3.3	18.5	0.30	2.00	1.10	6.13
4T-34274/34478	81	78	110	116	2	2	-1.2 ^①	0.45	1.33	0.73	1.11
#4T-JLM813049/JLM813010	78	77	98	105	1	2.5	-0.3 ^①	0.49	1.23	0.68	0.889
#4T-JM612949/JM612910	83	77	103	110	3	2.5	2.5	0.43	1.39	0.77	1.13

① " - " means that load center at outside on end of inner ring.

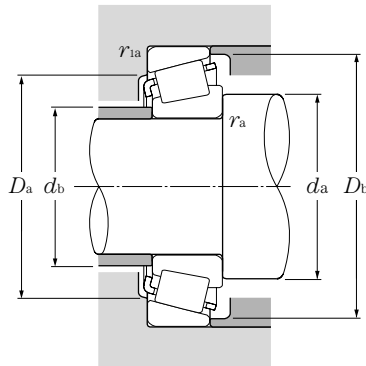
Inch system sizes
J system series



d 70.000 ~ 76.200mm

d	Boundary dimensions				Basic load ratings				Limiting speeds	
	mm				dynamic	static	dynamic	static	rpm	
	D	T	B	C	C _r	C _{or}	C _r	C _{or}	grease	oil
70.000	120.000	29.794	29.007	24.237	128	177	13,000	18,100	3,000	4,000
	150.000	41.275	39.688	25.400	199	234	20,300	23,900	2,400	3,200
71.438	117.475	30.162	30.162	23.812	117	175	11,900	17,900	3,000	4,000
	120.000	32.545	32.545	26.195	147	214	15,000	21,800	3,000	4,000
	127.000	36.512	36.170	28.575	163	229	16,600	23,300	2,900	3,800
	136.525	41.275	41.275	31.750	194	262	19,800	26,700	2,800	3,800
	136.525	41.275	41.275	31.750	226	293	23,100	29,900	2,700	3,700
73.025	136.525	46.038	46.038	36.512	224	355	22,800	36,500	2,600	3,500
	112.712	25.400	25.400	19.050	95.5	151	9,750	15,400	3,100	4,100
	117.475	30.162	30.162	23.812	117	175	11,900	17,900	3,000	4,000
	127.000	36.512	36.170	28.575	163	229	16,600	23,300	2,900	3,800
	139.992	36.512	36.098	28.575	178	265	18,100	27,100	2,600	3,400
73.817	149.225	53.975	54.229	44.450	287	410	29,300	41,500	2,500	3,400
	150.089	44.450	46.672	36.512	261	360	26,600	37,000	2,400	3,200
74.612	112.712	25.400	25.400	19.050	95.5	151	9,750	15,400	3,100	4,100
	127.000	36.512	36.170	28.575	163	229	16,600	23,300	2,900	3,800
75.000	139.992	36.512	36.098	28.575	178	265	18,100	27,100	2,600	3,400
75.000	115.000	25.000	25.000	19.000	94.5	143	9,650	14,600	3,000	4,000
	120.000	31.000	29.500	25.000	131	197	13,300	20,100	2,900	3,900
	145.000	51.000	51.000	42.000	287	410	29,300	41,500	2,500	3,400
76.200	109.538	19.050	19.050	15.083	63.0	115	6,450	11,700	3,100	4,100
	121.442	24.608	23.012	17.462	91.0	127	9,300	13,000	2,900	3,800
	121.442	24.608	23.012	17.462	91.0	127	9,300	13,000	2,900	3,800
	127.000	30.162	31.000	22.225	135	194	13,800	19,800	2,800	3,700
	133.350	33.338	33.338	26.195	153	235	15,600	24,000	2,600	3,500
	133.350	39.688	39.688	32.545	177	305	18,000	31,000	2,600	3,500
	135.733	44.450	46.100	34.925	211	330	21,600	34,000	2,700	3,500
	136.525	30.162	29.769	22.225	129	189	13,200	19,300	2,600	3,500
	139.992	36.512	36.098	28.575	178	265	18,100	27,100	2,600	3,400
	139.992	36.512	36.098	28.575	178	265	18,100	27,100	2,600	3,400
	146.050	41.275	41.275	31.750	206	295	21,000	30,000	2,500	3,300
	149.225	53.975	54.229	44.450	287	410	29,300	41,500	2,500	3,400
150.089	44.450	46.672	36.512	261	360	26,600	37,000	2,400	3,200	

Note: 1. With regard to the chamfer dimensions on the back face of the inner and outer rings, installation dimensions r_{i1} and r_{o1} are larger than the maximum value.
2. Bearing numbers marked "#" designate J-series bearings. The tolerances of these bearings is listed in Table 6.6 on page A-40.



Equivalent bearing load

dynamic

$$P_r = XF_r + YF_a$$

$\frac{F_a}{F_r} \leq e$		$\frac{F_a}{F_r} > e$	
X	Y	X	Y
1	0	0.4	Y_2

static

$$P_{or} = 0.5F_r + Y_0F_a$$

When $P_{or} < F_r$ use $P_{or} = F_r$

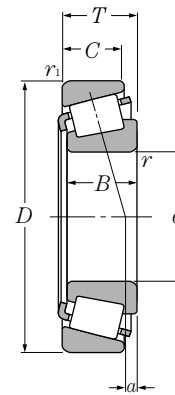
For values of e , Y_2 and Y_0 see the table below.

Bearing numbers	Abutment and fillet dimensions						Load center mm	Constant e	Axial load factors		Mass kg (approx.)		
	mm								a	e		Y_2	Y_0
	d_a	d_b	D_a	D_b	r_{as} max	r_{1as} max							
4T-484/472	80	77	107	114	2	2	3.9	0.38	1.56	0.86	1.33		
#4T-JH913848/JH913811	92	82	126	146	2	3.3	-4.3 ^①	0.78	0.77	0.42	3.08		
4T-33281/33462	85	79	104	112	3.5	3.3	2.6	0.44	1.38	0.76	1.24		
4T-47490/47420	86	79	107	114	3.5	3.3	6.1	0.36	1.67	0.92	1.42		
4T-567A/563	86	80	112	120	3.5	3.3	8.3	0.36	1.65	0.91	1.87		
4T-644/632	87	81	118	125	3.5	3.3	11.4	0.36	1.66	0.91	2.57		
4T-H414249/H414210	89	83	121	129	3.5	3.3	11.0	0.36	1.67	0.92	2.58		
4T-H715345/H715311	93	87	118	132	3.5	3.3	8.7	0.47	1.27	0.70	3.11		
4T-29685/29620	86	80	101	109	3.5	3.3	-0.9 ^①	0.49	1.23	0.68	0.873		
4T-33287/33462	87	80	104	112	3.5	3.3	2.6	0.44	1.38	0.76	1.19		
4T-567/563	88	81	112	120	3.5	3.3	8.3	0.36	1.65	0.91	1.82		
4T-576/572	90	83	125	133	3.5	3.3	5.5	0.40	1.49	0.82	2.53		
4T-6460/6420	93	87	129	140	3.5	3.3	14.8	0.36	1.66	0.91	4.42		
4T-744/742	91	85	134	142	3.5	3.3	12.0	0.33	1.84	1.01	3.79		
4T-29688/29620	83	80	101	109	1.5	3.3	-0.9 ^①	0.49	1.23	0.68	0.86		
4T-568/563	83	82	112	120	0.8	3.3	8.3	0.36	1.65	0.91	1.80		
4T-577/572	91	85	125	133	3.5	3.3	5.5	0.40	1.49	0.82	2.48		
#4T-JLM714149/JLM714110	87	81	104	110	3	2.5	-0.3 ^①	0.46	1.31	0.72	0.875		
#4T-JM714249/JM714210	88	83	108	115	3	2.5	1.9	0.44	1.35	0.74	1.29		
#4T-JH415647/JH415610	94	89	129	139	3	2.5	14.1	0.36	1.66	0.91	3.81		
4T-L814749/L814710	84	82	100	105	1.5	1.5	-5.0 ^①	0.50	1.20	0.66	0.579		
4T-34300/34478	86	83	110	116	2	2	-1.2 ^①	0.45	1.33	0.73	0.982		
4T-34301/34478	89	83	110	116	3.5	2	-1.2 ^①	0.45	1.33	0.73	0.977		
4T-42687/42620	90	84	114	121	3.5	3.3	2.8	0.42	1.43	0.79	1.46		
4T-47678/47620	97	85	119	128	6.4	3.3	3.9	0.40	1.48	0.82	1.92		
4T-HM516442/HM516410	93	87	118	128	3.5	3.3	7.5	0.40	1.49	0.82	2.43		
4T-5760/5735	94	88	119	130	3.5	3.3	11.0	0.41	1.48	0.81	2.75		
4T-495A/493	92	86	122	130	3.5	3.3	0.7	0.44	1.35	0.74	1.83		
4T-575/572	92	86	125	133	3.5	3.3	5.5	0.40	1.49	0.82	2.43		
4T-575S/572	99	86	125	133	6.8	3.3	5.5	0.40	1.49	0.82	2.41		
4T-659/653	93	87	131	139	3.5	3.3	8.0	0.41	1.47	0.81	3.04		
4T-6461A/6420	108	89	129	140	9.7	3.3	14.8	0.36	1.66	0.91	4.23		
4T-748S/742	93	87	134	142	3.5	3.3	12.0	0.33	1.84	1.01	3.66		

① " - " means that load center at outside on end of inner ring.

Tapered Roller Bearings

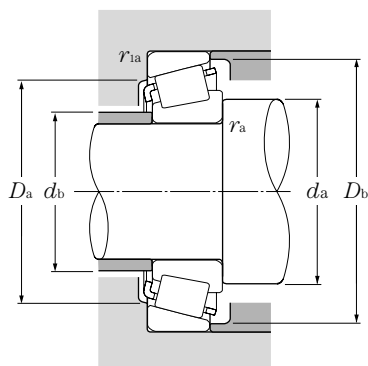
Inch system sizes
J system series



d 76.200 ~ 83.345mm

d	Boundary dimensions				Basic load ratings				Limiting speeds	
	D	T	B	C	dynamic kN	static kN	dynamic kgf	static kgf	grease rpm	oil rpm
76.200	149.225	53.975	54.229	44.450	287	410	29,300	41,500	2,500	3,400
	161.925	53.975	55.100	42.862	310	460	31,500	47,000	2,300	3,000
	180.975	53.975	53.183	35.720	325	415	33,000	42,500	1,900	2,600
	190.500	57.150	57.531	46.038	445	610	45,000	62,000	1,900	2,600
77.788	117.475	25.400	25.400	19.050	99.5	162	10,200	16,500	2,900	3,900
	121.442	24.608	23.012	17.462	91.0	127	9,300	13,000	2,900	3,800
	127.000	30.162	31.000	22.225	135	194	13,800	19,800	2,800	3,700
	136.525	30.162	29.769	22.225	129	189	13,200	19,300	2,600	3,500
	136.525	46.038	46.038	36.512	224	355	22,800	36,500	2,600	3,500
79.375	146.050	41.275	41.275	31.750	206	295	21,000	30,000	2,500	3,300
	161.925	47.625	48.260	38.100	270	385	27,500	39,000	2,300	3,100
	190.500	57.150	57.531	46.038	445	610	45,000	62,000	1,900	2,600
80.000	130.000	35.000	34.000	28.500	166	249	16,900	25,400	2,700	3,600
80.962	133.350	33.338	33.338	26.195	153	235	15,600	24,000	2,600	3,500
	136.525	30.162	29.769	22.225	129	189	13,200	19,300	2,600	3,500
	139.992	36.512	36.098	28.575	178	265	18,100	27,100	2,600	3,400
	150.089	44.450	46.672	36.512	261	360	26,600	37,000	2,400	3,200
82.550	125.412	25.400	25.400	19.845	102	163	10,400	16,600	2,700	3,600
	133.350	33.338	33.338	26.195	153	235	15,600	24,000	2,600	3,500
	133.350	39.688	39.688	32.545	177	305	18,000	31,000	2,600	3,500
	136.525	30.162	29.769	22.225	129	189	13,200	19,300	2,600	3,500
	139.992	36.512	36.098	28.575	178	265	18,100	27,100	2,600	3,400
	139.992	36.512	36.098	28.575	178	265	18,100	27,100	2,600	3,400
	146.050	41.275	41.275	31.750	206	295	21,000	30,000	2,500	3,300
	150.089	44.450	46.672	36.512	261	360	26,600	37,000	2,400	3,200
	152.400	39.688	36.322	30.162	180	279	18,300	28,400	2,300	3,100
	152.400	41.275	41.275	31.750	206	295	21,000	30,000	2,500	3,300
	161.925	47.625	48.260	38.100	270	385	27,500	39,000	2,300	3,100
161.925	53.975	55.100	42.862	310	460	31,500	47,000	2,300	3,000	
168.275	53.975	56.363	41.275	340	460	34,500	46,500	2,200	3,000	
83.345	125.412	25.400	25.400	19.845	102	163	10,400	16,600	2,700	3,600
	125.412	25.400	25.400	19.845	102	163	10,400	16,600	2,700	3,600
	125.412	25.400	25.400	19.845	102	163	10,400	16,600	2,700	3,600

Note: 1. With regard to the chamfer dimensions on the back face of the inner and outer rings, installation dimensions r_{i2} and r_{o2} are larger than the maximum value.
2. For the inner bore diameter of bearings with bearing numbers marked "+" (inner ring) or "++" (outer ring), this value applies only to high precision class types, Class 4 and 2.



Equivalent bearing load dynamic

$$P_r = XF_r + YF_a$$

$\frac{F_a}{F_r}$	e	$\frac{F_a}{F_r} > e$	
X	Y	X	Y
1	0	0.4	Y_2

static

$$P_{or} = 0.5F_r + Y_0F_a$$

When $P_{or} < F_r$ use $P_{or} = F_r$

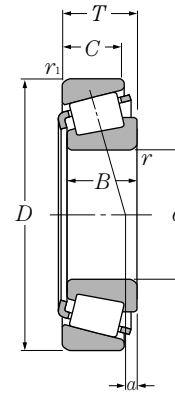
For values of e , Y_2 and Y_0 see the table below.

Bearing numbers	Abutment and fillet dimensions						Load center mm	Constant e	Axial load factors		Mass kg (approx.)
	mm								a	e	
	d_a	d_b	D_a	D_b	r_{as} max	r_{1as} max					
4T-6461/6420	96	89	129	140	3.5	3.3	14.8	0.36	1.66	0.91	4.26
4T-6576/6535	99	92	141	154	3.5	3.3	12.8	0.40	1.50	0.82	5.44
4T-H917840/H917810††	110	100	152	170	3.5	3.3	-0.5 [●]	0.73	0.82	0.45	6.57
4T-HH221430/HH221410	101	95	171	179	3.5	3.3	14.4	0.33	1.79	0.99	8.69
4T-LM814849/LM814810	91	85	105	113	3.5	3.3	-2.3 [●]	0.51	1.18	0.65	0.932
4T-34306/34478	90	84	110	116	3.5	2	-1.2 [●]	0.45	1.33	0.73	0.943
4T-42690/42620	91	85	114	121	3.5	3.3	2.8	0.42	1.43	0.79	1.41
4T-495AS/493	93	87	122	130	3.5	3.3	0.7	0.44	1.35	0.74	1.78
4T-H715348/H715311	98	88	118	132	3.5	3.3	8.7	0.47	1.27	0.70	2.84
4T-661/653	96	90	131	139	3.5	3.3	8.0	0.41	1.47	0.81	2.91
4T-756A/752	106	91	144	150	8	3.3	12.0	0.34	1.76	0.97	4.55
4T-HH221431/HH221410	103	97	171	179	3.5	3.3	14.4	0.33	1.79	0.99	8.52
#4T-JM515649/JM515610	94	88	117	125	3	2.5	4.9	0.39	1.54	0.85	1.73
4T-47681/47620	95	89	119	128	3.5	3.3	3.9	0.40	1.48	0.82	1.78
4T-496/493	95	89	122	130	3.5	3.3	0.7	0.44	1.35	0.74	1.69
4T-581/572	96	90	125	133	3.5	3.3	5.5	0.40	1.49	0.82	2.26
4T-740/742	101	91	134	142	5	3.3	12.0	0.33	1.84	1.01	3.43
4T-27687/27620	96	89	115	120	3.5	1.5	-0.6 [●]	0.42	1.44	0.79	1.07
4T-47686/47620	97	90	119	128	3.5	3.3	3.9	0.40	1.48	0.82	1.72
4T-HM516448/HM516410	105	92	118	128	6.8	3.3	7.5	0.40	1.49	0.82	2.16
4T-495/493	97	90	122	130	3.5	3.3	0.7	0.44	1.35	0.74	1.64
4T-580/572	98	91	125	133	3.5	3.3	5.5	0.40	1.49	0.82	2.2
4T-582/572	104	91	125	133	6.8	3.3	5.5	0.40	1.49	0.82	2.19
4T-663/653	99	92	131	139	3.5	3.3	8.0	0.41	1.47	0.81	2.78
4T-749A/742	99	93	134	142	3.5	3.3	12.0	0.33	1.84	1.01	3.37
4T-595/592A	100	93	135	144	3.5	3.3	2.6	0.44	1.36	0.75	3.02
4T-663/652	99	92	134	141	3.5	3.3	8.0	0.41	1.47	0.81	3.15
4T-757/752	100	94	144	150	3.5	3.3	12.0	0.34	1.76	0.97	4.42
4T-6559C/6535	104	98	141	154	3.5	3.3	12.8	0.40	1.50	0.82	5.09
4T-842/832	101	94	149	155	3.5	3.3	18.5	0.30	2.00	1.10	5.46
4T-27689/27620	90	90	115	120	0.8	1.5	-0.6 [●]	0.42	1.44	0.79	1.06
4T-27690/27620	96	90	115	120	3.5	1.5	-0.6 [●]	0.42	1.44	0.79	1.05
4T-27691/27620	102	90	115	120	6.4	1.5	-0.6 [●]	0.42	1.44	0.79	1.04

Note: 3. Bearing numbers marked "# " designate **J-series** bearings. The tolerances of these bearings is listed in **Table 6.6** on page **A-40**.

● " - " means that load center at outside on end of inner ring.

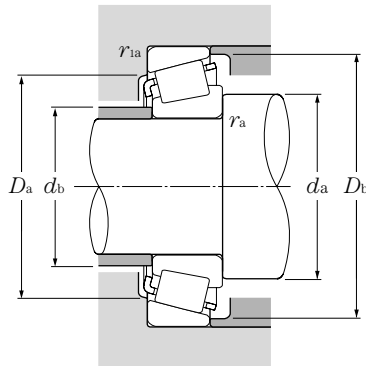
Inch system sizes J system series



d 84.138 ~ 95.000mm

d	Boundary dimensions				Basic load ratings				Limiting speeds	
	mm				dynamic	static	dynamic	static	rpm	
	D	T	B	C	C_r	C_{or}	C_r	C_{or}	grease	oil
84.138	136.525	30.162	29.769	22.225	129	189	13,200	19,300	2,600	3,500
85.000	130.000	30.000	29.000	24.000	135	214	13,700	21,900	2,600	3,500
	140.000	39.000	38.000	31.500	197	297	20,100	30,500	2,500	3,400
85.026	150.089	44.450	46.672	36.512	261	360	26,600	37,000	2,400	3,200
85.725	133.350	30.162	29.769	22.225	129	189	13,200	19,300	2,600	3,500
	142.138	42.862	42.862	34.133	216	350	22,000	35,500	2,500	3,300
	146.050	41.275	41.275	31.750	206	295	21,000	30,000	2,500	3,300
	152.400	39.688	36.322	30.162	180	279	18,300	28,400	2,300	3,100
	161.925	47.625	48.260	38.100	270	385	27,500	39,000	2,300	3,100
87.960	148.430	28.575	28.971	21.433	138	215	14,100	21,900	2,300	3,100
88.900	121.442	15.083	15.083	11.112	56.5	88.0	5,750	9,000	2,700	3,600
	123.825	20.638	20.638	16.670	80.0	141	8,150	14,400	2,700	3,500
	148.430	28.575	28.971	21.433	138	215	14,100	21,900	2,300	3,100
	152.400	39.688	36.322	30.162	180	279	18,300	28,400	2,300	3,100
	161.925	47.625	48.260	38.100	270	385	27,500	39,000	2,300	3,100
	161.925	53.975	55.100	42.862	310	460	31,500	47,000	2,300	3,000
	168.275	53.975	56.363	41.275	340	460	34,500	46,500	2,200	3,000
89.974	146.975	40.000	40.000	32.500	227	340	23,200	34,500	2,400	3,200
90.000	145.000	35.000	34.000	27.000	189	279	19,300	28,400	2,400	3,200
	155.000	44.000	44.000	35.500	270	385	27,500	39,000	2,300	3,100
	190.000	50.800	46.038	31.750	281	365	28,700	37,000	1,800	2,400
90.488	161.925	47.625	48.260	38.100	270	385	27,500	39,000	2,300	3,100
92.075	146.050	33.338	34.925	26.195	163	266	16,700	27,100	2,400	3,100
	152.400	39.688	36.322	30.162	180	279	18,300	28,400	2,300	3,100
	168.275	41.275	41.275	30.162	222	340	22,700	35,000	2,100	2,800
93.662	148.430	28.575	28.971	21.433	138	215	14,100	21,900	2,300	3,100
95.000	150.000	35.000	34.000	27.000	180	279	18,300	28,400	2,300	3,100

Note: 1. With regard to the chamfer dimensions on the back face of the inner and outer rings, installation dimensions r_{is} and r_{os} are larger than the maximum value.
2. For the inner bore diameter of bearings with bearing numbers marked "+" (inner ring) or "++" (outer ring), this value applies only to high precision types, Class 4 and 2.



Equivalent bearing load

dynamic

$$P_r = XF_r + YF_a$$

$\frac{F_a}{F_r}$	e	$\frac{F_a}{F_r} > e$	
X	Y	X	Y
1	0	0.4	Y_2

static

$$P_{or} = 0.5F_r + Y_0F_a$$

When $P_{or} < F_r$ use $P_{or} = F_r$

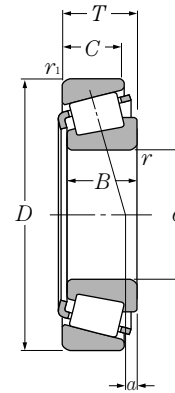
For values of e , Y_2 and Y_0 see the table below.

Bearing numbers	Abutment and fillet dimensions						Load center mm	Constant e	Axial load factors		Mass kg (approx.)		
	mm								a	e		Y_2	Y_0
	d_a	d_b	D_a	D_b	r_{as} max	r_{1as} max							
4T-498/493	98	91	122	130	3.5	3.3	0.7	0.44	1.35	0.74	1.6		
#4T-JM716648/JM716610	104	92	117	125	6	2.5	0.2	0.44	1.35	0.74	1.37		
#4T-JHM516849/JHM516810	100	94	125	134	3	2.5	5.9	0.41	1.47	0.81	2.3		
4T-749/742	101	95	134	142	3.5	3.3	12.0	0.33	1.84	1.01	3.25		
4T-497/492A	99	93	120	128	3.5	3.3	0.7	0.44	1.35	0.74	1.43		
4T-HM617049/HM617010	106	95	125	137	4.8	3.3	6.9	0.43	1.39	0.76	2.69		
4T-665/653	102	95	131	139	3.5	3.3	8.0	0.41	1.47	0.81	2.65		
4T-596/592A	102	96	135	144	3.5	3.3	2.6	0.44	1.36	0.75	2.9		
4T-758/752	103	97	144	150	3.5	3.3	12.0	0.34	1.76	0.97	4.26		
4T-42346/42584	103	98	134	142	3	3	-3.0 ^①	0.49	1.22	0.67	1.99		
4T-LL217849/LL217810	97	94	115	117	1.5	1.5	-2.9 ^①	0.33	1.81	1.00	0.452		
4T-L217849/L217810	97	94	116	119	1.5	1.5	-0.7 ^①	0.33	1.82	1.00	0.737		
4T-42350/42584	104	98	134	142	3	3	-3.0 ^①	0.49	1.22	0.67	1.96		
4T-593/592A	104	98	135	144	3.5	3.3	2.6	0.44	1.36	0.75	2.78		
4T-759/752	106	99	144	150	3.5	3.3	12.0	0.34	1.76	0.97	4.09		
4T-6580/6535	109	102	141	154	3.5	3.3	12.8	0.40	1.50	0.82	4.73		
4T-850/832	106	100	149	155	3.5	3.3	18.5	0.30	2.00	1.10	5.08		
4T-HM218248†/HM218210††	112	99	133	141	7	3.5	8.6	0.33	1.80	0.99	2.55		
#4T-JM718149/JM718110	105	99	131	139	3	2.5	2.0	0.44	1.35	0.74	2.14		
#4T-JHM318448/JHM318410	106	100	140	148	3	2.5	10.1	0.34	1.76	0.97	3.32		
#4T-J90354/J90748	120	112	162	179	3.5	3.3	-12.9 ^①	0.87	0.69	0.38	6.32		
4T-760/752	107	101	144	150	3.5	3.3	12.0	0.34	1.76	0.97	4.01		
4T-47890/47820	107	101	131	140	3.5	3.3	0.6	0.45	1.34	0.74	2.08		
4T-598A/592A	113	101	135	144	6.4	3.3	2.6	0.44	1.36	0.75	2.63		
4T-681/672	110	104	149	160	3.5	3.3	3.0	0.47	1.28	0.70	3.87		
4T-42368/42584	107	102	134	142	3	3	-3.0 ^①	0.49	1.22	0.67	1.8		
#4T-JM719149/JM719113	109	104	135	143	3	2.5	1.7	0.44	1.36	0.75	2.19		

Note: 3. Bearing numbers marked " # " designate **J-series** bearings. The tolerances of these bearings is listed in **Table 6.6** on page **A-40**.

① " - " means that load center at outside on end of inner ring.

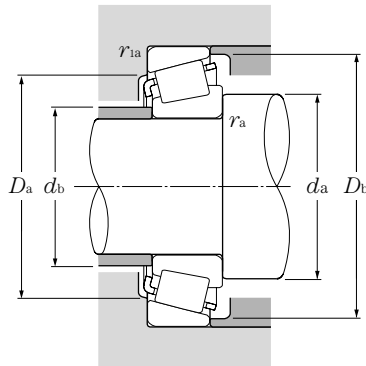
Inch system sizes J system series



d 95.250 ~
109.538mm

<i>d</i>	Boundary dimensions				Basic load ratings				Limiting speeds	
	<i>D</i>	<i>T</i>	<i>B</i>	<i>C</i>	dynamic	static	dynamic	static	grease	oil
					mm		kN			
95.250	130.175	20.638	21.433	16.670	81.0	147	8,300	15,000	2,500	3,300
	146.050	33.338	34.925	26.195	163	266	16,700	27,100	2,400	3,100
	147.638	35.717	36.322	26.192	180	279	18,300	28,400	2,300	3,100
	148.430	28.575	28.971	21.433	138	215	14,100	21,900	2,300	3,100
	152.400	39.688	36.322	30.162	180	279	18,300	28,400	2,300	3,100
	157.162	36.512	36.116	26.195	188	305	19,200	31,000	2,200	2,900
	168.275	41.275	41.275	30.162	222	340	22,700	35,000	2,100	2,800
190.500	57.150	57.531	46.038	445	610	45,000	62,000	1,900	2,600	
96.838	148.430	28.575	28.971	21.433	138	215	14,100	21,900	2,300	3,100
	188.912	50.800	46.038	31.750	281	365	28,700	37,000	1,800	2,400
98.425	157.162	36.512	36.116	26.195	188	305	19,200	31,000	2,200	2,900
	168.275	41.275	41.275	30.162	222	340	22,700	35,000	2,100	2,800
99.974	212.725	66.675	66.675	53.975	575	810	58,500	82,500	1,700	2,300
100.000	155.000	36.000	35.000	28.000	192	310	19,600	31,500	2,200	2,900
100.012	157.162	36.512	36.116	26.195	188	305	19,200	31,000	2,200	2,900
101.600	157.162	36.512	36.116	26.195	188	305	19,200	31,000	2,200	2,900
	168.275	41.275	41.275	30.162	222	340	22,700	35,000	2,100	2,800
	180.975	47.625	48.006	38.100	285	430	29,100	44,000	2,000	2,700
	190.500	57.150	57.531	44.450	380	555	38,500	56,500	2,000	2,600
	190.500	57.150	57.531	46.038	445	610	45,000	62,000	1,900	2,600
	190.500	57.150	57.531	46.038	445	610	45,000	62,000	1,900	2,600
	212.725	66.675	66.675	53.975	475	695	48,500	71,000	1,800	2,300
212.725	66.675	66.675	53.975	575	810	58,500	82,500	1,700	2,300	
104.775	180.975	47.625	48.006	38.100	285	430	29,100	44,000	2,000	2,700
107.950	158.750	23.020	21.438	15.875	102	166	10,400	17,000	2,100	2,800
	159.987	34.925	34.925	26.988	167	320	17,100	33,000	2,100	2,800
	165.100	36.512	36.512	26.988	191	315	19,500	32,000	2,100	2,700
	212.725	66.675	66.675	53.975	475	695	48,500	71,000	1,800	2,300
109.538	158.750	23.020	21.438	15.875	102	166	10,400	17,000	2,100	2,800

Note: 1. With regard to the chamfer dimensions on the back face of the inner and outer rings, installation dimensions r_{is} and r_{os} are larger than the maximum value.
2. For the inner bore diameter of bearings with bearing numbers marked "+" (inner ring) or "++" (outer ring), this value applies only to high precision class types, Class 4 and 2.



Equivalent bearing load dynamic

$$P_r = X F_r + Y F_a$$

$\frac{F_a}{F_r}$	e	$\frac{F_a}{F_r} > e$	
X	Y	X	Y
1	0	0.4	Y_2

static

$$P_{or} = 0.5 F_r + Y_o F_a$$

When $P_{or} < F_r$ use $P_{or} = F_r$

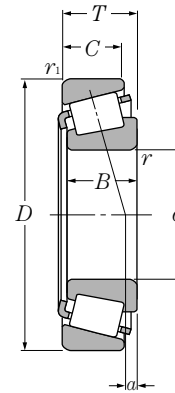
For values of e , Y_2 and Y_o see the table below.

Bearing numbers	Abutment and fillet dimensions						Load center mm	Constant	Axial load factors		Mass kg
	mm								a	e	
	d_a	d_b	D_a	D_b	r_{as} max	r_{1as} max					(approx.)
4T-L319249/L319210	103	101	122	125	1.5	1.5	-1.0 ^③	0.35	1.72	0.95	0.789
4T-47896/47820	110	103	131	140	3.5	3.3	0.6	0.45	1.34	0.74	1.95
4T-594A/592XE	113	104	135	142	5	0.8	2.6	0.44	1.36	0.75	2.09
4T-42375/42584	108	103	134	142	3	3	-3.0 ^③	0.49	1.22	0.67	1.75
4T-594/592A	110	104	135	144	3.5	3.3	2.6	0.44	1.36	0.75	2.51
4T-52375/52618	112	105	142	152	3.5	3.3	0.6	0.47	1.26	0.69	2.76
4T-683/672	113	106	149	160	3.5	3.3	3.0	0.47	1.28	0.70	3.72
4T-HH221440/HH221410	125	110	171	179	8	3.3	14.4	0.33	1.79	0.99	7.5
4T-42381/42584	110	104	134	142	3.5	3	-3.0 ^③	0.49	1.22	0.67	1.69
4T-90381/90744	125	113	161	179	3.5	3.3	-12.9 ^③	0.87	0.69	0.38	5.67
4T-52387/52618	114	108	142	152	3.5	3.3	0.6	0.47	1.26	0.69	2.62
4T-685/672	116	109	149	160	3.5	3.3	3.0	0.47	1.28	0.70	3.56
4T-HH224334†/HH224310	124	120	192	202	3.5	3.3	18.9	0.33	1.84	1.01	11.5
#4T-JM720249/JM720210	115	109	140	149	3	2.5	-0.3 ^③	0.47	1.27	0.70	2.4
4T-52393/52618	116	109	142	152	3.5	3.3	0.6	0.47	1.26	0.69	2.55
4T-52400/52618	117	111	142	152	3.5	3.3	0.6	0.47	1.26	0.69	2.48
4T-687/672	118	112	149	160	3.5	3.3	3.0	0.47	1.28	0.70	3.4
4T-780/772††	119	113	161	168	3.5	3.3	8.1	0.39	1.56	0.86	5.11
4T-861/854	129	114	170	174	8	3.3	15.3	0.33	1.79	0.99	7
4T-HH221449/HH221410	131	116	171	179	8	3.3	14.4	0.33	1.79	0.99	7.06
4T-HH221449A/HH221410	122	116	171	179	3.5	3.3	14.4	0.33	1.79	0.99	7.06
4T-941/932	130	117	187	193	7	3.3	19.7	0.33	1.84	1.01	11.2
4T-HH224335/HH224310	132	121	192	202	7	3.3	18.9	0.33	1.84	1.01	11.3
4T-782/772††	122	116	161	168	3.5	3.3	8.1	0.39	1.56	0.86	4.92
4T-37425/37625	122	115	143	152	3.5	3.3	-14.0 ^③	0.61	0.99	0.54	1.37
4T-LM522546/LM522510	122	116	146	154	3.5	3.3	1.4	0.40	1.49	0.82	2.37
4T-56425/56650	123	117	149	159	3.5	3.3	-2.0 ^③	0.50	1.21	0.66	2.69
4T-936/932	137	122	187	193	8	3.3	19.7	0.33	1.84	1.01	10.7
4T-37431/37625	123	116	143	152	3.5	3.3	-14.0 ^③	0.61	0.99	0.54	1.33

Note: 3. Bearing numbers marked "# " designate **J-series** bearings. The tolerances of these bearings is listed in **Table 6.6** on **page A-40**.

③ " - " means that load center at outside on end of inner ring.

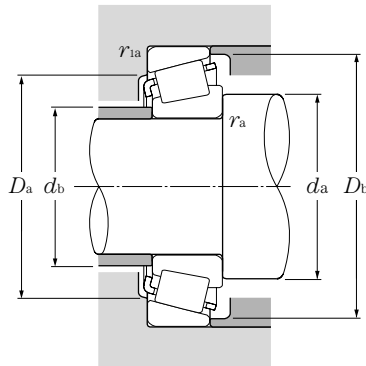
Inch system sizes J system series



d 109.987 ~ 133.350mm

d	Boundary dimensions				Basic load ratings				Limiting speeds	
	D	T	B	C	dynamic kN	static kN	dynamic kgf	static kgf	grease rpm	oil rpm
109.987	159.987	34.925	34.925	26.988	167	320	17,100	33,000	2,100	2,800
109.992	177.800	41.275	41.275	30.162	232	375	23,600	38,000	1,900	2,600
110.000	165.000	35.000	35.000	26.500	191	315	19,500	32,000	2,100	2,700
	180.000	47.000	46.000	38.000	305	480	31,000	49,000	1,900	2,600
111.125	214.312	55.562	52.388	39.688	405	560	41,500	57,000	1,500	2,000
114.300	177.800	41.275	41.275	30.162	232	375	23,600	38,000	1,900	2,600
	180.975	34.925	31.750	25.400	169	245	17,200	25,000	1,900	2,500
	212.725	66.675	66.675	53.975	475	695	48,500	71,000	1,800	2,300
	212.725	66.675	66.675	53.975	575	810	58,500	82,500	1,700	2,300
	228.600	53.975	49.428	38.100	430	620	44,000	63,500	1,400	1,900
115.087	190.500	47.625	49.212	34.925	300	475	30,500	48,500	1,800	2,500
117.475	180.975	34.925	31.750	25.400	169	245	17,200	25,000	1,900	2,500
120.000	170.000	25.400	25.400	19.050	127	210	13,000	21,400	2,000	2,600
120.650	234.950	63.500	63.500	49.212	525	825	53,500	84,000	1,500	2,000
123.825	182.562	39.688	38.100	33.338	224	435	22,900	44,000	1,800	2,400
127.000	182.562	39.688	38.100	33.338	224	435	22,900	44,000	1,800	2,400
	196.850	46.038	46.038	38.100	310	550	31,500	56,500	1,700	2,200
	215.900	47.625	47.625	34.925	320	540	32,500	55,000	1,600	2,100
	228.600	53.975	49.428	38.100	320	445	32,500	45,000	1,400	1,900
	228.600	53.975	49.428	38.100	430	620	44,000	63,500	1,400	1,900
	230.000	63.500	63.500	49.212	525	825	53,500	84,000	1,500	2,000
254.000	77.788	82.550	61.912	740	1,070	75,500	109,000	1,400	1,900	
128.588	206.375	47.625	47.625	34.925	315	520	32,000	53,000	1,700	2,200
130.175	196.850	46.038	46.038	38.100	310	550	31,500	56,500	1,700	2,200
	206.375	47.625	47.625	34.925	315	520	32,000	53,000	1,700	2,200
133.350	177.008	25.400	26.195	20.638	126	259	12,900	26,400	1,800	2,400

Note: 1. With regard to the chamfer dimensions on the back face of the inner and outer rings, installation dimensions r_{is} and r_{os} are larger than the maximum value.
2. For the inner bore diameter of bearings with bearing numbers marked "+" (inner ring) or "++" (outer ring), this value applies only to high precision types, Class 4 and 2.
B-190



Equivalent bearing load dynamic

$$P_r = XF_r + YF_a$$

$\frac{F_a}{F_r} \leq e$		$\frac{F_a}{F_r} > e$	
X	Y	X	Y
1	0	0.4	Y_2

static

$$P_{or} = 0.5F_r + Y_0F_a$$

When $P_{or} < F_r$ use $P_{or} = F_r$

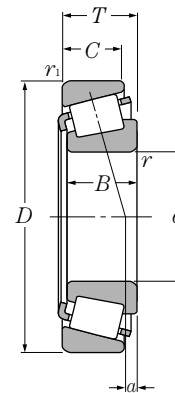
For values of e , Y_2 and Y_0 see the table below.

Bearing numbers	Abutment and fillet dimensions						Load center mm	Constant	Axial load factors			Mass kg	
	mm								a	e	Y_2		Y_0
	d_a	d_b	D_a	D_b	r_{as} max	r_{1as} max							
4T-LM522548/LM522510	133	118	146	154	8	3.3	1.4	0.40	1.49	0.82	2.24		
4T-64433/64700	128	121	160	172	3.5	3.3	-1.1 [Ⓢ]	0.52	1.16	0.64	3.77		
#4T-JM822049/JM822010	124	119	149	159	3	2.5	-3.0 [Ⓢ]	0.50	1.21	0.66	2.52		
#4T-JHM522649/JHM522610	127	122	162	172	3	2.5	6.0	0.41	1.48	0.81	4.61		
4T-H924045/H924010	139	131	186	205	3.5	3.3	-6.8 [Ⓢ]	0.67	0.89	0.49	8.18		
4T-64450/64700	131	125	160	172	3.5	3.3	-1.1 [Ⓢ]	0.52	1.16	0.64	3.52		
4T-68450/68712††	130	123	163	172	3.5	3.3	-5.4 [Ⓢ]	0.50	1.21	0.66	2.93		
4T-938/932	141	128	187	193	7	3.3	19.7	0.33	1.84	1.01	10.1		
4T-HH224346/HH224310	143	131	192	202	7	3.3	18.9	0.33	1.84	1.01	10.2		
4T-HM926740/HM926710	146	142	200	219	3.5	3.3	-13.5 [Ⓢ]	0.74	0.81	0.45	9.76		
4T-71453/71750	133	126	171	181	3.5	3.3	6.7	0.42	1.44	0.79	5.11		
4T-68462/68712††	132	125	163	172	3.5	3.3	-5.4 [Ⓢ]	0.50	1.21	0.66	2.78		
#4T-JL724348/JL724314	132	127	156	163	3.3	3.3	-7.9 [Ⓢ]	0.46	1.31	0.72	1.67		
4T-95475/95925	149	137	209	217	6.4	3.3	14.0	0.37	1.62	0.89	12.6		
4T-48286/48220	139	133	168	176	3.5	3.3	5.7	0.31	1.97	1.08	3.52		
4T-48290/48220	141	135	168	176	3.5	3.3	5.7	0.31	1.97	1.08	3.33		
4T-67388/67322	144	138	180	189	3.5	3.3	6.3	0.34	1.74	0.96	5.1		
4T-74500/74850	148	141	196	208	3.5	3.3	-2.2 [Ⓢ]	0.49	1.23	0.68	7.05		
4T-97500/97900	151	144	197	213	3.5	3.3	-13.4 [Ⓢ]	0.74	0.81	0.45	8.43		
4T-HM926747/HM926710	156	143	200	219	3.5	3.3	-13.5 [Ⓢ]	0.74	0.81	0.45	8.83		
4T-95500/95905	154	142	207	217	6.4	3.3	14.0	0.37	1.62	0.89	12.9		
4T-HH228349/HH228310	164	148	223	234	9.7	6.4	23.4	0.32	1.87	1.03	19.5		
4T-799/792	146	140	186	198	3.3	3.3	1.9	0.46	1.31	0.72	5.77		
4T-67389/67322	146	141	180	189	3.5	3.3	6.3	0.34	1.74	0.96	4.87		
4T-799A/792	148	142	186	198	3.5	3.3	1.9	0.46	1.31	0.72	5.65		
4T-L327249/L327210	142	140	167	171	1.5	1.5	-3.7 [Ⓢ]	0.35	1.72	0.95	1.7		

Note: 3. Bearing numbers marked "#" designate **J-series** bearings. The tolerances of these bearings is listed in **Table 6.6** on page **A-40**.

Ⓢ " - " means that load center at outside on end of inner ring.

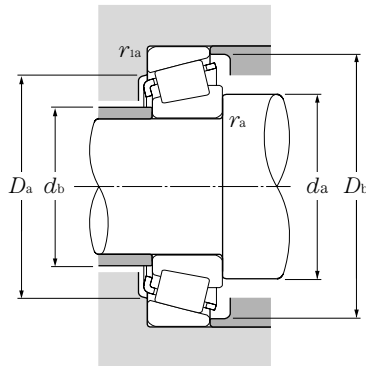
Inch system sizes J system series



d 133.350 ~ 196.850mm

d	Boundary dimensions				Basic load ratings				Limiting speeds	
	mm				dynamic	static	dynamic	static	rpm	
	D	T	B	C	C_r	C_{or}	C_r	C_{or}	grease	oil
133.350	190.500	39.688	39.688	33.338	236	475	24,100	48,500	1,700	2,300
	196.850	46.038	46.038	38.100	310	550	31,500	56,500	1,700	2,200
	196.850	46.038	46.038	38.100	310	550	31,500	56,500	1,700	2,200
	215.900	47.625	47.625	34.925	320	540	32,500	55,000	1,600	2,100
136.525	234.950	63.500	63.500	49.212	525	825	53,500	84,000	1,500	2,000
	190.500	39.688	39.688	33.338	236	475	24,100	48,500	1,700	2,300
139.700	228.600	57.150	57.150	44.450	445	735	45,500	75,000	1,500	2,000
	215.900	47.625	47.625	34.925	320	540	32,500	55,000	1,600	2,100
	254.000	66.675	66.675	47.625	550	910	56,000	92,500	1,400	1,800
142.875	200.025	41.275	39.688	34.130	239	490	24,300	50,000	1,600	2,100
	200.025	41.275	39.688	34.130	239	490	24,300	50,000	1,600	2,100
146.050	193.675	28.575	28.575	23.020	165	340	16,800	35,000	1,600	2,200
	254.000	66.675	66.675	47.625	550	910	56,000	92,500	1,400	1,800
152.400	192.088	25.000	24.000	19.000	130	261	13,200	26,700	1,600	2,100
	222.250	46.830	46.830	34.925	315	585	32,000	60,000	1,500	2,000
158.750	205.583	23.812	23.812	18.258	126	247	12,900	25,200	1,500	2,000
	225.425	41.275	39.688	33.338	254	555	25,900	56,500	1,400	1,900
165.100	225.425	41.275	39.688	33.338	254	555	25,900	56,500	1,400	1,900
170.000	230.000	39.000	38.000	31.000	282	520	28,700	53,000	1,400	1,800
177.800	227.012	30.162	30.162	23.020	181	415	18,500	42,000	1,300	1,800
	247.650	47.625	47.625	38.100	340	690	35,000	70,500	1,300	1,700
180.000	250.000	47.000	45.000	37.000	370	710	37,500	72,500	1,300	1,700
190.000	260.000	46.000	44.000	36.500	365	720	37,000	73,500	1,200	1,600
196.850	241.300	23.812	23.017	17.462	160	330	16,300	33,500	1,200	1,600

Note: 1. With regard to the chamfer dimensions on the back face of the inner and outer rings, installation dimensions r_{is} and r_{os} are larger than the maximum value.
2. Bearing numbers marked "#" designate J-series bearings. The tolerances of these bearings is listed in Table 6.6 on page A-40.



Equivalent bearing load dynamic

$$P_r = XF_r + YF_a$$

$\frac{F_a}{F_r} \leq e$		$\frac{F_a}{F_r} > e$	
X	Y	X	Y
1	0	0.4	Y_2

static

$$P_{or} = 0.5F_r + Y_0F_a$$

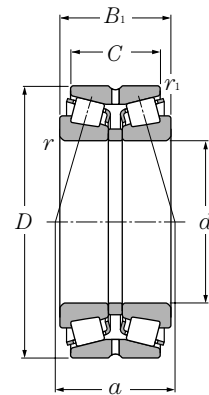
When $P_{or} < F_r$ use $P_{or} = F_r$

For values of e , Y_2 and Y_0 see the table below.

Bearing numbers	Abutment and fillet dimensions						Load center mm	Constant e	Axial load factors		Mass kg (approx.)		
	mm								a	e		Y_2	Y_0
	d_a	d_b	D_a	D_b	r_{as} max	r_{1as} max							
4T-48385/48320	148	142	177	184	3.5	3.3	4.0	0.32	1.87	1.03	3.64		
4T-67390/67322	149	143	180	189	3.5	3.3	6.3	0.34	1.74	0.96	4.63		
4T-67391/67322	157	143	180	189	8	3.3	6.3	0.34	1.74	0.96	4.59		
4T-74525/74850	152	146	196	208	3.5	3.3	-2.2 ^①	0.49	1.23	0.68	6.56		
4T-95525/95925	166	148	209	217	9.7	3.3	14.0	0.37	1.62	0.89	11.3		
4T-48393/48320	151	144	177	184	3.5	3.3	4.0	0.32	1.87	1.03	3.43		
4T-896/892	156	150	205	216	3.5	3.3	6.0	0.42	1.43	0.78	9.07		
4T-74550/74850	158	151	196	208	3.5	3.3	-2.2 ^①	0.49	1.23	0.68	6.05		
4T-898/892	160	153	205	216	3.5	3.3	6.0	0.42	1.43	0.78	8.76		
4T-99550/99100	170	156	227	238	7	3.3	12.1	0.41	1.47	0.81	14.3		
4T-48684/48620	166	151	185	193	8	3.3	3.1	0.34	1.78	0.98	3.85		
4T-48685/48620	158	151	185	193	3.5	3.3	3.1	0.34	1.78	0.98	3.89		
4T-36690/36620	155	153	182	188	1.5	1.5	-5.0 ^①	0.37	1.63	0.90	2.27		
4T-99575/99100	175	162	227	238	7	3.3	12.1	0.41	1.47	0.81	13.5		
4T-L630349/L630310	162	158	183	187	2	2	-10.0 ^①	0.42	1.44	0.79	1.53		
4T-M231648/M231610	178	163	207	213	8	1.5	5.9	0.33	1.8	0.99	5.72		
4T-L432349/L432310	168	166	195	199	1.5	1.5	-9.8 ^①	0.37	1.61	0.88	1.89		
4T-46780/46720	176	169	209	218	3.5	3.3	-2.6 ^①	0.38	1.57	0.86	5.2		
4T-46790/46720	181	174	209	218	3.5	3.3	-2.6 ^①	0.38	1.57	0.86	4.69		
#4T-JHM534149/JHM534110	184	178	217	224	3	2.5	-4.7 ^①	0.38	1.57	0.86	4.37		
4T-36990/36920	188	186	214	221	1.5	1.5	-12.8 ^①	0.44	1.36	0.75	2.92		
4T-67790/67720	194	188	229	240	3.5	3.3	-4.8 ^①	0.44	1.36	0.75	6.57		
#4T-JM736149/JM736110	196	190	232	243	3	2.5	-9.0 ^①	0.48	1.25	0.69	6.76		
#4T-JM738249/JM738210	206	200	242	252	3	2.5	-10.9 ^①	0.48	1.26	0.69	6.85		
4T-LL639249/LL639210	205	203	232	236	1.5	1.5	-17.3 ^①	0.42	1.44	0.79	2.07		

① " - " means that load center at outside on end of inner ring.

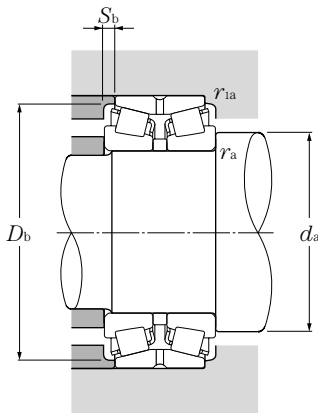
Outward facing type



d 40 ~ 70mm

d	Boundary dimensions					Basic load ratings			Limiting speeds		
	D	B ₁	C	r _{s min} ^①	r _{1s min} ^①	dynamic	static	dynamic	static	rpm	
						C _r	C _{0r}	C _r	C _{0r}	grease	oil
						kN		kgf			
40	80	45	37.5	1.5	0.6	105	134	10,700	13,700	4,100	5,500
	80	55	43.5	1.5	0.6	136	187	13,900	19,100	4,100	5,500
	90	56	39.5	2	0.6	132	171	13,500	17,400	3,200	4,200
	90	56	45.5	2	0.6	157	204	16,000	20,800	3,700	4,900
45	85	47	37.5	1.5	0.6	116	157	11,800	16,000	3,700	4,900
	85	55	43.5	1.5	0.6	141	200	14,300	20,400	3,700	4,900
	100	60	41.5	2	0.6	165	218	16,800	22,200	2,800	3,800
	100	60	49.5	2	0.6	191	251	19,500	25,600	3,300	4,400
50	90	49	39.5	1.5	0.6	132	186	13,500	18,900	3,400	4,500
	90	55	43.5	1.5	0.6	150	218	15,300	22,200	3,400	4,500
	110	64	43.5	2.5	0.6	194	260	19,800	26,600	2,600	3,500
	110	64	51.5	2.5	0.6	227	305	23,200	31,000	3,000	4,000
	110	90	71.5	2.5	0.6	315	465	32,000	47,500	3,000	4,000
55	100	51	41.5	2	0.6	160	221	16,300	22,600	3,100	4,100
	100	60	48.5	2	0.6	186	269	18,900	27,400	3,100	4,100
	120	70	49	2.5	0.6	226	305	23,100	31,500	2,400	3,100
	120	70	57	2.5	0.6	266	360	27,100	36,500	2,700	3,700
	120	97	76	2.5	0.6	370	550	37,500	56,000	2,700	3,700
60	110	53	43.5	2	0.6	180	249	18,300	25,400	2,800	3,800
	110	66	54.5	2	0.6	223	330	22,700	33,500	2,800	3,800
	130	74	51	3	1	258	350	26,300	36,000	2,200	2,900
	130	74	59	3	1	310	420	31,500	43,000	2,500	3,400
	130	104	81	3	1	420	625	42,500	64,000	2,500	3,400
65	120	56	46.5	2	0.6	211	295	21,500	30,000	2,600	3,500
	120	73	61.5	2	0.6	273	410	27,800	42,000	2,600	3,500
	140	79	53	3	1	297	410	30,500	41,500	2,000	2,700
	140	79	63	3	1	350	475	35,500	48,500	2,300	3,100
	140	108	84	3	1	470	700	47,500	71,500	2,300	3,100
70	125	59	48.5	2	0.6	225	325	23,000	33,000	2,400	3,200
	125	74	61.5	2	0.6	285	440	29,000	45,000	2,400	3,200
	150	83	57	3	1	330	460	33,500	46,500	1,900	2,500
	150	83	67	3	1	395	545	40,000	55,500	2,200	2,900
	150	116	92	3	1	530	805	54,000	82,500	2,200	2,900

① Minimum allowable dimension for chamfer dimension r or r₁.



Equivalent bearing load dynamic

$$P_r = X F_r + Y F_a$$

$\frac{F_a}{F_r} \leq e$		$\frac{F_a}{F_r} > e$	
X	Y	X	Y
1	Y ₁	0.67	Y ₂

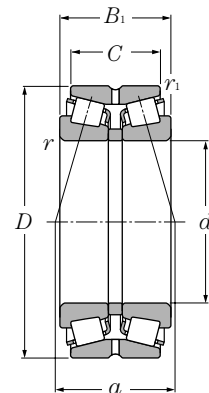
static

$$P_{or} = F_r + Y_0 F_a$$

For values of e , Y_2 and Y_0 see the table below.

Bearing numbers	Abutment and fillet dimensions					Load center mm	Constant e	Axial load factors			Mass kg (approx.)
	d_a min	D_b min	S_b min	r_{as} max	r_{1as} max			a	Y_1	Y_2	
4T-430208X	48.5	75	3.5	1.5	0.6	38.5	0.37	1.80	2.68	1.76	0.929
4T-432208X	48.5	75	5.5	1.5	0.6	43	0.37	1.80	2.68	1.76	1.18
4T-430308DX	50	86.5	8	2	0.6	64.5	0.83	0.82	1.22	0.80	1.56
4T-430308	50	82	5	2	0.6	44.5	0.35	1.96	2.91	1.91	1.61
4T-430209	53.5	80	4.5	1.5	0.6	42	0.40	1.67	2.48	1.63	1.04
4T-432209	53.5	81	5.5	1.5	0.6	46	0.40	1.67	2.48	1.63	1.27
4T-430309DX	55	96	9	2	0.6	70	0.83	0.82	1.22	0.80	2.11
4T-430309	55	93	5	2	0.6	47.5	0.35	1.96	2.91	1.91	2.11
4T-430210	58.5	85	4.5	1.5	0.6	44.5	0.42	1.61	2.39	1.57	1.18
432210U	58.5	85	5.5	1.5	0.6	47.5	0.42	1.61	2.39	1.57	1.36
4T-430310DX	62	105	10	2	0.6	75	0.83	0.82	1.22	0.80	2.65
4T-430310	62	102	6	2	0.6	51	0.35	1.96	2.91	1.91	2.72
432310U	62	102	9	2	0.6	62.5	0.35	1.96	2.91	1.91	3.98
4T-430211X	65	94	4.5	2	0.6	47	0.40	1.67	2.48	1.63	1.55
432211U	65	95	5.5	2	0.6	51	0.40	1.67	2.48	1.63	1.85
4T-430311DX	67	113	10.5	2	0.6	83	0.83	0.82	1.22	0.80	3.42
430311XU	67	111	6.5	2	0.6	55.5	0.35	1.96	2.91	1.91	3.48
432311U	67	111	10.5	2	0.6	66.5	0.35	1.96	2.91	1.91	5.05
4T-430212X	70	103	4.5	2	0.6	49.5	0.40	1.67	2.48	1.63	1.99
432212U	70	104	5.5	2	0.6	56	0.40	1.67	2.48	1.63	2.49
4T-430312DX	74	124	11.5	2.5	1	88.5	0.83	0.82	1.22	0.80	4.22
430312U	74	120	7.5	2.5	1	59.5	0.35	1.96	2.91	1.91	4.31
432312U	74	120	11.5	2.5	1	71	0.35	1.96	2.91	1.91	6.29
4T-430213X	75	113	4.5	2	0.6	53.5	0.40	1.67	2.48	1.63	2.49
432213U	75	115	5.5	2	0.6	61.5	0.40	1.67	2.48	1.63	3.33
4T-430313DX	79	133	13	2.5	1	94.5	0.83	0.82	1.22	0.80	5.16
430313XU	79	130	8	2.5	1	64	0.35	1.96	2.91	1.91	5.32
432313U	79	130	12	2.5	1	74.5	0.35	1.96	2.91	1.91	7.55
4T-430214	80	118	5	2	0.6	57	0.42	1.61	2.39	1.57	2.67
432214U	80	119	6	2	0.6	64.5	0.42	1.61	2.39	1.57	3.56
4T-430314DX	84	142	13	2.5	1	101	0.83	0.82	1.22	0.80	6.23
430314XU	84	140	8	2.5	1	67	0.35	1.96	2.91	1.91	6.37
432314U	84	140	12	2.5	1	80.5	0.35	1.96	2.91	1.91	9.28

Outward facing type

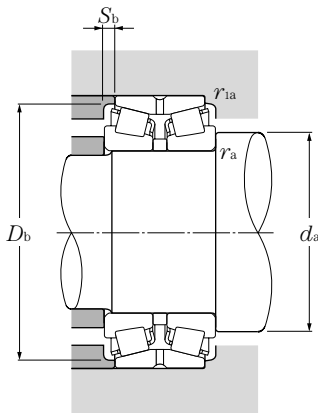


d 75 ~ 105mm

d	Boundary dimensions					Basic load ratings			Limiting speeds			
	D	B ₁	C	r _{s min} ❶	r _{1s min} ❶	dynamic	static	dynamic	static	rpm		
						C _r	C _{0r}	C _r	C _{0r}	grease	oil	
						mm			kN		kgf	
75	130	62	51.5	2	0.6	238	350	24,300	36,000	2,300	3,000	
	130	74	61.5	2	0.6	288	445	29,300	45,500	2,300	3,000	
	160	87	59	3	1	370	510	37,500	52,000	1,700	2,300	
	160	87	69	3	1	435	605	44,500	62,000	2,000	2,700	
	160	125	99	3	1	610	935	62,000	95,500	2,000	2,700	
80	140	64	51.5	2.5	0.6	274	400	27,900	40,500	2,100	2,800	
	140	78	63.5	2.5	0.6	340	530	35,000	54,000	2,100	2,800	
	170	92	61	3	1	405	565	41,500	58,000	1,600	2,200	
	170	92	73	3	1	500	700	51,000	71,500	1,900	2,500	
	170	131	104	3	1	680	1,050	69,000	107,000	1,900	2,500	
85	150	70	57	2.5	0.6	315	465	32,000	47,000	2,000	2,700	
	150	86	69	2.5	0.6	385	600	39,000	61,500	2,000	2,700	
	180	98	65	4	1	425	585	43,000	59,500	1,500	2,100	
	180	98	77	4	1	520	725	53,000	74,000	1,800	2,400	
	180	137	108	4	1	690	1,050	70,500	107,000	1,800	2,400	
90	160	74	61	2.5	0.6	355	535	36,500	54,500	1,900	2,500	
	160	94	77	2.5	0.6	450	720	46,000	73,500	1,900	2,500	
	190	102	69	4	1	465	645	47,500	65,500	1,500	1,900	
	190	102	81	4	1	580	815	59,000	83,000	1,700	2,300	
	190	144	115	4	1	770	1,190	78,500	121,000	1,700	2,300	
95	170	78	63	3	1	385	580	39,500	59,000	1,800	2,400	
	170	100	83	3	1	515	835	52,500	85,000	1,800	2,400	
	200	108	85	4	1	630	890	64,000	91,000	1,600	2,100	
	200	108	85	3	1	540	735	55,500	75,000	1,600	2,100	
	200	151	118	4	1	865	1,340	88,000	137,000	1,600	2,100	
100	180	83	67	3	1	440	675	45,000	68,500	1,700	2,200	
	180	107	87	3	1	565	925	58,000	94,500	1,700	2,200	
	215	112	87	4	1	700	995	71,500	102,000	1,500	2,000	
	215	112	87	3	1	590	800	60,000	81,500	1,500	2,000	
	215	162	127	4	1	980	1,540	100,000	157,000	1,500	2,000	
105	190	88	70	3	1	490	760	50,000	77,500	1,600	2,100	
	190	115	95	3	1	650	1,080	66,000	111,000	1,600	2,100	
	225	116	91	3	1	625	845	63,500	86,000	1,400	1,900	

❶ Minimum allowable dimension for chamfer dimension r or r_1 .

Note: When incorporating bearings with bearing numbers marked with " * ", please consult NTN Engineering.



Equivalent bearing load dynamic

$$P_r = X F_r + Y F_a$$

$\frac{F_a}{F_r} \leq e$		$\frac{F_a}{F_r} > e$	
X	Y	X	Y
1	Y ₁	0.67	Y ₂

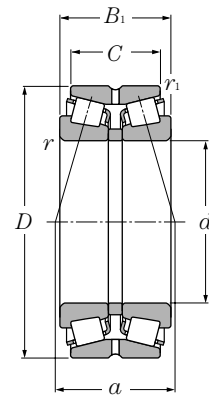
static

$$P_{or} = F_r + Y_0 F_a$$

For values of e , Y_2 and Y_0 see the table below.

Bearing numbers	Abutment and fillet dimensions					Load center mm	Constant e	Axial load factors			Mass kg (approx.)
	d_a min	D_b min	S_b min	r_{as} max	r_{1as} max			a	Y_1	Y_2	
4T-430215	85	124	5	2	0.6	61.5	0.44	1.55	2.31	1.52	2.99
432215U	85	125	6	2	0.6	67	0.44	1.55	2.31	1.52	3.68
430315DU	89	151	14	2.5	1	107	0.83	0.82	1.22	0.80	7.31
430315XU	89	149	9	2.5	1	70.5	0.35	1.96	2.91	1.91	7.71
432315U	89	149	13	2.5	1	87.5	0.35	1.96	2.91	1.91	11.5
430216XU	92	132	6	2	0.6	63	0.42	1.61	2.39	1.57	3.65
432216XU	92	134	7	2	0.6	69.5	0.42	1.61	2.39	1.57	4.58
430316DU	94	159	15.5	2.5	1	114	0.83	0.82	1.22	0.80	8.99
430316XU	94	159	9.5	2.5	1	75.5	0.35	1.96	2.91	1.91	9.55
432316U	94	159	13.5	2.5	1	90.5	0.35	1.96	2.91	1.91	13.6
430217XU	97	141	6.5	2	0.6	69	0.42	1.61	2.39	1.57	4.59
432217XU	97	142	8.5	2	0.6	76	0.42	1.61	2.39	1.57	5.85
430317DU	103	169	16.5	3	1	121	0.83	0.82	1.22	0.80	10.6
430317XU	103	167	10.5	3	1	80	0.35	1.96	2.91	1.91	11.2
432317U	103	167	14.5	3	1	96	0.35	1.96	2.91	1.91	15.4
430218U	102	150	6.5	2	0.6	73	0.42	1.61	2.39	1.57	5.66
432218U	102	152	8.5	2	0.6	81	0.42	1.61	2.39	1.57	7.35
430318DU	108	180	16.5	3	1	127	0.83	0.82	1.22	0.80	12.5
430318U	108	177	10.5	3	1	84	0.35	1.96	2.91	1.91	12.9
432318U	108	177	14.5	3	1	100	0.35	1.96	2.91	1.91	18.2
430219XU	109	159	7.5	2.5	1	76.5	0.42	1.61	2.39	1.57	8.01
432219XU	109	161	8.5	2.5	1	86.5	0.42	1.61	2.39	1.57	9.04
* 430319XU	113	186	11.5	3	1	89	0.35	1.96	2.91	1.91	15.0
430319X	113	186	11.5	3	1	88.5	0.35	1.95	2.90	1.91	14.0
432319U	113	186	16.5	3	1	106	0.35	1.96	2.91	1.91	21.5
430220XU	114	168	8	2.5	1	81.5	0.42	1.61	2.39	1.57	8.11
432220XU	114	171	10	2.5	1	92	0.42	1.61	2.39	1.57	10.7
* 430320XU	118	200	12.5	3	1	92	0.35	1.96	2.91	1.91	18.4
430320X	118	200	12.5	3	1	93.5	0.35	1.95	2.90	1.91	16.5
432320U	118	200	17.5	3	1	113	0.35	1.96	2.91	1.91	26.5
430221XU	119	178	9	2.5	1	86	0.42	1.61	2.39	1.57	9.73
432221XU	119	180	10	2.5	1	97.5	0.42	1.61	2.39	1.57	13.1
430321X	123	209	12.5	3	1	96.5	0.35	1.95	2.90	1.91	19.6

Outward facing type

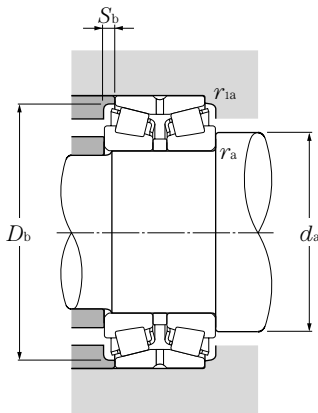


d 105 ~ 140mm

d	Boundary dimensions					Basic load ratings				Limiting speeds	
	D	B ₁	C	r _{s min} ❶	r _{1s min} ❶	dynamic	static	dynamic	static	grease	oil
						mm		kN			
						C _r	C _{0r}	C _r	C _{0r}		
105	225	116	91	4	1	750	1,060	76,000	109,000	1,400	1,900
	225	170	133	3	1	955	1,470	97,500	150,000	1,400	1,900
110	180	56	50	2.5	0.6	228	340	23,300	35,000	1,600	2,200
	180	70	56	2.5	0.6	298	485	30,500	49,500	1,600	2,200
	200	92	74	3	1	555	865	56,500	88,500	1,500	2,000
	200	121	101	3	1	720	1,210	73,500	124,000	1,500	2,000
	240	118	93	4	1	825	1,180	84,000	120,000	1,400	1,800
	240	118	93	3	1	685	925	69,500	94,500	1,400	1,800
	240	181	142	3	1	1,070	1,660	109,000	169,000	1,400	1,800
120	180	46	41	2.5	0.6	193	298	19,700	30,500	1,500	2,100
	180	58	46	2.5	0.6	230	375	23,500	38,000	1,500	2,100
	200	62	55	2.5	0.6	263	435	26,800	44,500	1,500	2,000
	200	78	62	2.5	0.6	370	610	38,000	62,500	1,500	2,000
	215	97	78	3	1	595	940	60,500	96,000	1,400	1,900
	215	132	109	3	1	790	1,360	80,500	139,000	1,400	1,900
	260	128	101	4	1	960	1,390	97,500	142,000	1,200	1,700
130	200	52	46	2.5	0.6	224	365	22,900	37,500	1,400	1,900
	200	65	52	2.5	0.6	294	490	29,900	50,000	1,400	1,900
	210	64	57	2.5	0.6	315	485	32,000	49,500	1,400	1,800
	210	80	64	2.5	0.6	410	675	42,000	69,000	1,400	1,800
	230	98	78.5	4	1	640	1,010	65,500	103,000	1,300	1,700
	230	145	117.5	4	1	905	1,630	92,500	166,000	1,300	1,700
140	280	137	107.5	5	1.5	1,110	1,660	113,000	169,000	1,200	1,500
	210	53	47	2.5	0.6	262	415	26,700	42,500	1,300	1,800
	210	66	53	2.5	0.6	300	535	30,500	54,500	1,300	1,800
	225	68	61	3	1	370	580	37,500	59,500	1,200	1,700
	225	84	68	3	1	390	650	40,000	66,000	1,200	1,700
	250	102	82.5	3	1	640	970	65,500	99,000	1,200	1,600
	250	102	82.5	4	1	720	1,140	73,500	117,000	1,200	1,600
	250	153	125.5	4	1	1,050	1,840	107,000	188,000	1,200	1,600
	300	145	115.5	5	1.5	1,260	1,900	129,000	194,000	1,100	1,400
300	145	115.5	4	1.5	1,100	1,560	112,000	160,000	1,100	1,400	

❶ Minimum allowable dimension for chamfer dimension r or r₁.

Note: When incorporating bearings with bearing numbers marked with "*", please consult NTN Engineering.



Equivalent bearing load dynamic

$$P_r = X F_r + Y F_a$$

$\frac{F_a}{F_r} \leq e$		$\frac{F_a}{F_r} > e$	
X	Y	X	Y
1	Y ₁	0.67	Y ₂

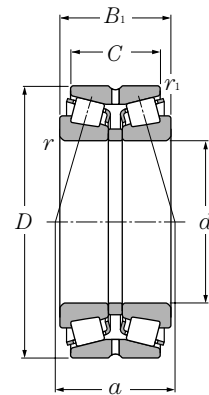
static

$$P_{or} = F_r + Y_0 F_a$$

For values of e , Y_2 and Y_0 see the table below.

Bearing numbers	Abutment and fillet dimensions					Load center mm	Constant e	Axial load factors			Mass kg (approx.)
	d_a min	D_b min	S_b min	r_{as} max	r_{1as} max			a	Y_1	Y_2	
* 430321XU 432321	123 119	209 208	12.5 18.5	3 2.5	1 1	96.5 117.5	0.35 0.35	1.96 1.96	2.91 2.90	1.91 1.91	21.0 30.2
413122	122	169	3	2	0.6	66.5	0.40	1.68	2.50	1.64	5.20
423122	122	166	7	2	0.6	66.5	0.33	2.03	3.02	1.98	6.38
430222XU	124	188	9	2.5	1	90	0.42	1.61	2.39	1.57	11.4
432222XU	124	190	10	2.5	1	102	0.42	1.61	2.39	1.57	15.5
* 430322U	128	222	12.5	3	1	100	0.35	1.96	2.91	1.91	24.5
430322	128	222	12.5	3	1	97.5	0.35	1.95	2.90	1.91	22.1
432322	128	222	19.5	3	1	124	0.35	1.95	2.90	1.91	35.6
* 432322U	128	222	19.5	3	1	127	0.35	1.96	2.91	1.91	38.2
413024	132	171	2.5	2	0.6	59	0.37	1.80	2.69	1.76	3.85
423024	132	170	6	2	0.6	66	0.37	1.80	2.69	1.76	4.41
413124	132	184	3.5	2	0.6	76.5	0.43	1.57	2.34	1.53	7.24
423124	132	188	8	2	0.6	76.5	0.37	1.80	2.69	1.76	8.96
430224XU	134	203	9.5	2.5	1	98	0.44	1.55	2.31	1.52	13.6
432224XU	134	204	11.5	2.5	1	112	0.44	1.55	2.31	1.52	18.9
430324XU	138	239	13.5	3	1	107	0.35	1.96	2.91	1.91	30.5
430324X	138	239	13.5	3	1	106	0.35	1.95	2.90	1.91	29.4
432324U	138	239	21.5	3	1	130	0.35	1.96	2.91	1.91	47.0
413026	142	186	3	2	0.6	66	0.37	1.80	2.69	1.76	5.55
423026	142	189	6.5	2	0.6	71.5	0.37	1.80	2.69	1.76	6.62
413126	142	196	3.5	2	0.6	69	0.33	2.03	3.02	1.98	7.83
423126	142	198	8	2	0.6	79.5	0.37	1.80	2.69	1.76	9.77
430226XU	148	218	9.5	3	1	102	0.44	1.55	2.31	1.52	15.9
432226XU	148	219	13.5	3	1	124	0.44	1.55	2.31	1.52	24.1
430326XU	152	255	14.5	4	1.5	116	0.35	1.96	2.91	1.91	37.9
413028	152	199	3	2	0.6	68.5	0.37	1.80	2.69	1.76	5.88
423028	152	197	6.5	2	0.6	75	0.37	1.84	2.74	1.80	7.11
413128	154	210	3.5	2.5	1	73.5	0.33	2.03	3.02	1.98	9.18
423128	154	209	8	2.5	1	88	0.37	1.80	2.69	1.76	11.8
430228X	158	237	9.5	3	1	106	0.43	1.57	2.34	1.53	18.0
* 430228XU	158	237	9.5	3	1	107	0.44	1.55	2.31	1.52	19.9
432228XU	158	238	13.5	3	1	131	0.44	1.55	2.31	1.52	30.1
* 430328XU	162	273	14.5	4	1.5	123	0.35	1.96	2.91	1.91	46.6
430328X	162	272	14.5	4	1.5	123	0.35	1.95	2.90	1.91	44.4

Outward facing type

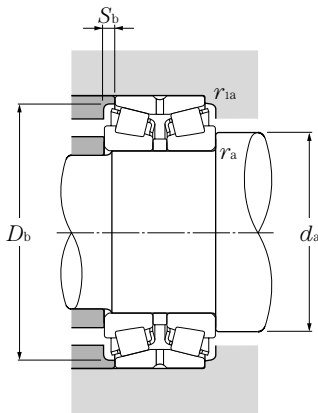


d 140 ~ 190mm

d	Boundary dimensions					Basic load ratings				Limiting speeds	
	D	B ₁	C	r _{s min} ①	r _{1s min} ①	C _r dynamic	C _{or} static	C _r dynamic	C _{or} static	grease rpm	oil rpm
mm											
						kN		kgf		rpm	
150	225	56	50	3	1	274	430	27,900	44,000	1,200	1,600
	225	70	56	3	1	355	630	36,000	64,500	1,200	1,600
	250	80	71	3	1	485	805	49,500	82,000	1,200	1,500
	250	100	80	3	1	600	1,040	61,500	106,000	1,200	1,500
	270	109	87	4	1	770	1,210	78,500	123,000	1,100	1,500
	270	164	130	4	1	1,200	2,140	122,000	218,000	1,100	1,500
	320	154	120	5	1.5	1,410	2,140	144,000	218,000	990	1,300
	320	154	120	4	1.5	1,170	1,750	119,000	178,000	990	1,300
160	240	60	53	3	1	330	535	34,000	54,500	1,100	1,500
	240	75	60	3	1	430	765	44,000	78,000	1,100	1,500
	270	86	76	3	1	595	965	60,500	98,000	1,100	1,400
	270	108	86	3	1	675	1,180	69,000	120,000	1,100	1,400
	290	115	91	4	1	900	1,440	92,000	147,000	1,000	1,400
	290	178	144	4	1	1,530	2,840	156,000	290,000	1,000	1,400
	340	160	126	5	1.5	1,570	2,390	160,000	244,000	920	1,200
	340	160	126	4	1.5	1,290	1,950	132,000	199,000	920	1,200
170	260	67	60	3	1	365	620	37,000	63,500	1,100	1,400
	260	84	67	3	1	490	865	50,000	88,000	1,100	1,400
	280	88	78	3	1	550	900	56,000	92,000	1,000	1,300
	280	110	88	3	1	725	1,270	74,000	130,000	1,000	1,300
	310	125	97	5	1.5	1,050	1,690	107,000	173,000	950	1,300
	310	192	152	5	1.5	1,710	3,200	174,000	325,000	950	1,300
180	280	74	66	3	1	425	735	43,000	75,000	1,000	1,300
	280	93	74	3	1	580	1,050	59,500	107,000	1,000	1,300
	300	96	85	4	1.5	705	1,190	72,000	121,000	940	1,300
	300	120	96	4	1.5	885	1,530	90,500	156,000	940	1,300
	320	127	99	5	1.5	1,080	1,780	110,000	182,000	890	1,200
	320	192	152	5	1.5	1,760	3,350	180,000	345,000	890	1,200
190	290	75	67	3	1	430	740	44,000	75,500	940	1,300
	290	94	75	3	1	615	1,110	63,000	113,000	940	1,300
	320	104	92	4	1.5	780	1,280	79,500	131,000	890	1,200
	320	130	104	4	1.5	985	1,710	100,000	174,000	890	1,200
	340	133	105	5	1.5	1,230	2,010	125,000	205,000	840	1,100
	340	204	160	5	1.5	1,970	3,700	201,000	380,000	840	1,100
	340	204	160	4	1.5	1,710	3,350	175,000	340,000	840	1,100

① Minimum allowable dimension for chamfer dimension r or r₁.

Note: When incorporating bearings with bearing numbers marked with "*", please consult NTN Engineering.



Equivalent bearing load dynamic

$$P_r = X F_r + Y F_a$$

$\frac{F_a}{F_r} \leq e$		$\frac{F_a}{F_r} > e$	
X	Y	X	Y
1	Y ₁	0.67	Y ₂

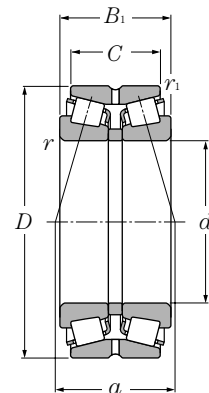
static

$$P_{or} = F_r + Y_0 F_a$$

For values of e , Y_2 and Y_0 see the table below.

Bearing numbers	Abutment and fillet dimensions					Load center mm	Constant e	Axial load factors			Mass kg (approx.)
	d_a min	D_b min	S_b min	r_{as} max	r_{1as} max			a	Y_1	Y_2	
* 413030	164	213	3	2.5	1	73.5	0.37	1.80	2.69	1.76	6.66
423030	164	212	7	2.5	1	79.5	0.37	1.80	2.69	1.76	8.76
413130	164	231	4.5	2.5	1	82.5	0.33	2.03	3.02	1.98	14.3
423130	164	234	10	2.5	1	96.5	0.37	1.80	2.69	1.76	18.0
430230U	168	255	11	3	1	114	0.44	1.55	2.31	1.52	24.4
432230XU	168	254	17	3	1	139	0.44	1.55	2.31	1.52	37.3
* 430330U	172	292	17	4	1.5	132	0.35	1.96	2.91	1.91	55.4
430330	172	292	17	4	1.5	135	0.37	1.80	2.69	1.76	52.8
413032	174	227	3.5	2.5	1	79	0.37	1.80	2.69	1.76	8.29
423032	174	227	7.5	2.5	1	85.5	0.37	1.80	2.69	1.76	10.7
413132E1	174	254	5	2.5	1	98.5	0.40	1.68	2.50	1.64	18.2
423132E1	174	250	11	2.5	1	106	0.37	1.80	2.69	1.76	22.8
430232U	178	272	12	3	1	122	0.44	1.55	2.31	1.52	31.9
432232U	178	275	17	3	1	150	0.44	1.55	2.31	1.52	46.9
* 430332XU	182	310	17	4	1.5	138	0.35	1.96	2.91	1.91	65.5
430332X	182	311	17	4	1.5	141	0.37	1.80	2.69	1.76	62.4
413034	184	242	3.5	2.5	1	86.5	0.37	1.80	2.69	1.76	11.6
423034	184	244	8.5	2.5	1	93.5	0.37	1.80	2.69	1.76	14.3
413134E1	184	260	5	2.5	1	104	0.40	1.68	2.50	1.64	19.5
423134E1	184	260	11	2.5	1	109	0.37	1.80	2.69	1.76	24.7
430234U	192	288	14	4	1.5	132	0.44	1.55	2.31	1.52	38.0
432234XU	192	293	20	4	1.5	160	0.44	1.55	2.31	1.52	58.2
413036E1	194	260	4	2.5	1	94	0.37	1.80	2.69	1.76	15.9
423036E1	194	262	9.5	2.5	1	102	0.37	1.80	2.69	1.76	19.0
413136E1	198	280	5.5	3	1.5	111	0.40	1.68	2.50	1.64	24.6
423136E1	198	279	12	3	1.5	119	0.37	1.80	2.69	1.76	31.4
430236U	202	297	14	4	1.5	139	0.45	1.50	2.23	1.47	39.4
432236U	202	305	20	4	1.5	165	0.45	1.50	2.23	1.47	60.6
413038E1	204	271	4	2.5	1	96	0.37	1.80	2.69	1.76	16.2
423038E1	204	272	9.5	2.5	1	104	0.37	1.80	2.69	1.76	19.6
413138	208	300	6	3	1.5	119	0.40	1.68	2.50	1.64	30.8
423138	208	299	13	3	1.5	126	0.37	1.80	2.69	1.76	38.6
430238U	212	316	14	4	1.5	141	0.44	1.55	2.31	1.52	45.4
* 432238U	212	323	22	4	1.5	174	0.44	1.55	2.31	1.52	73.3
432238	212	323	22	4	1.5	185	0.49	1.38	2.06	1.35	69.8

Outward facing type

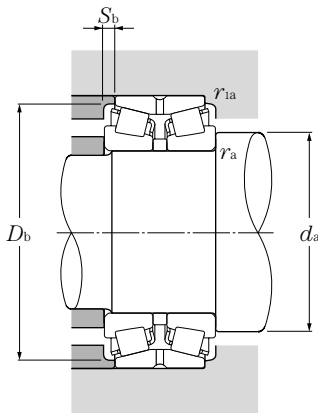


d 190 ~ 340mm

d	Boundary dimensions					Basic load ratings				Limiting speeds	
	D	B ₁	C	r _{s min} ①	r _{1s min} ①	C _r dynamic	C _{or} static	C _r dynamic	C _{or} static	grease rpm	oil rpm
mm											
						kN		kgf		rpm	
200	310	82	73	3	1	530	940	54,000	96,000	900	1,200
	310	103	82	3	1	720	1,320	73,000	135,000	900	1,200
	340	112	100	4	1.5	965	1,660	98,500	169,000	840	1,100
	340	140	112	4	1.5	1,090	1,910	111,000	195,000	840	1,100
	360	142	110	5	1.5	1,350	2,210	137,000	226,000	800	1,100
	360	218	174	5	1.5	2,260	4,250	230,000	435,000	800	1,100
	360	218	174	4	1.5	1,980	3,950	201,000	400,000	800	1,100
220	340	90	80	4	1.5	595	1,060	61,000	108,000	810	1,100
	340	113	90	4	1.5	880	1,650	89,500	168,000	810	1,100
	370	120	107	5	1.5	1,110	1,920	113,000	196,000	760	1,000
	370	150	120	5	1.5	1,220	2,260	125,000	230,000	760	1,000
240	360	92	82	4	1.5	655	1,160	66,500	118,000	730	980
	360	115	92	4	1.5	910	1,770	92,500	181,000	730	980
	400	128	114	5	1.5	1,230	2,130	126,000	217,000	690	920
	400	160	128	5	1.5	1,400	2,600	142,000	265,000	690	920
260	400	104	92	5	1.5	840	1,540	85,500	157,000	670	900
	400	130	104	5	1.5	1,150	2,190	117,000	223,000	670	900
	440	144	128	5	1.5	1,500	2,630	152,000	268,000	630	840
	440	180	144	5	1.5	1,940	3,750	198,000	380,000	630	840
280	420	106	94	5	1.5	890	1,630	91,000	166,000	620	820
	420	133	106	5	1.5	1,200	2,340	123,000	238,000	620	820
	460	146	130	6	2	1,640	2,900	167,000	296,000	580	770
	460	183	146	6	2	1,940	3,650	198,000	375,000	580	770
300	460	118	105	5	1.5	1,070	1,990	109,000	203,000	570	760
	460	148	118	5	1.5	1,610	3,150	165,000	320,000	570	760
	500	160	142	6	2	2,010	3,600	205,000	370,000	530	710
	500	200	160	6	2	2,100	4,050	214,000	415,000	530	710
320	480	121	108	5	1.5	1,190	2,250	121,000	229,000	530	710
	480	151	121	5	1.5	1,580	3,100	162,000	315,000	530	710
	540	176	157	6	2	2,240	4,100	228,000	415,000	500	660
	540	220	176	6	2	2,500	4,900	255,000	500,000	500	660
340	520	133	118	6	2	1,480	2,870	150,000	293,000	500	660

① Minimum allowable dimension for chamfer dimension r or r_1 .

Note: When incorporating bearings with bearing numbers marked with "*", please consult NTN Engineering.



Equivalent bearing load dynamic

$$P_r = X F_r + Y F_a$$

$\frac{F_a}{F_r} \leq e$		$\frac{F_a}{F_r} > e$	
X	Y	X	Y
1	Y ₁	0.67	Y ₂

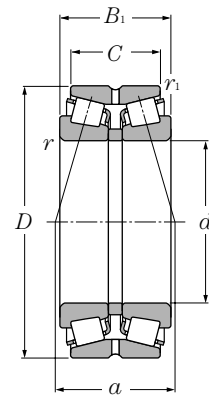
static

$$P_{or} = F_r + Y_0 F_a$$

For values of e , Y_2 and Y_0 see the table below.

Bearing numbers	Abutment and fillet dimensions					Load center mm	Constant e	Axial load factors			Mass kg (approx.)
	d_a min	D_b min	S_b min	r_{as} max	r_{1as} max			a	Y_1	Y_2	
413040E1	214	288	4.5	2.5	1	101	0.37	1.80	2.69	1.76	20.6
423040E1	214	291	10.5	2.5	1	112	0.37	1.80	2.69	1.76	25.7
413140	218	320	6	3	1.5	125	0.40	1.68	2.50	1.64	38.6
423140	218	316	14	3	1.5	134	0.37	1.80	2.69	1.76	47.5
430240U	222	336	16	4	1.5	154	0.44	1.55	2.31	1.52	62.8
* 432240U	222	340	22	4	1.5	180	0.41	1.66	2.47	1.62	95.2
432240	222	340	22	4	1.5	193	0.49	1.38	2.06	1.35	90.7
413044E1	238	318	5	3	1.5	112	0.37	1.80	2.69	1.76	26.7
423044E1	238	319	11.5	3	1.5	125	0.37	1.80	2.69	1.76	33.3
413144	242	346	6.5	4	1.5	135	0.40	1.68	2.50	1.64	47.8
423144	242	341	15	4	1.5	154	0.40	1.68	2.50	1.64	59.6
413048E1	258	339	5	3	1.5	117	0.37	1.80	2.69	1.76	30.2
423048E1	258	340.5	11.5	3	1.5	131	0.37	1.80	2.69	1.76	36.3
413148	262	375	7	4	1.5	144	0.40	1.68	2.50	1.64	58.9
423148	262	373	16	4	1.5	164	0.40	1.68	2.50	1.64	71.7
413052	282	372	6	4	1.5	131	0.37	1.80	2.69	1.76	41.5
423052	282	374	13	4	1.5	143	0.37	1.80	2.69	1.76	53.0
413152	282	412	8	4	1.5	161	0.40	1.68	2.50	1.64	82.2
423152	282	413	18	4	1.5	176	0.40	1.68	2.50	1.64	101
413056	302	394	6	4	1.5	136	0.37	1.80	2.69	1.76	47.2
423056	302	397	13.5	4	1.5	148	0.37	1.80	2.69	1.76	57.3
413156	308	435	8	5	2	168	0.40	1.68	2.50	1.64	87.4
423156	308	433	18.5	5	2	177	0.40	1.68	2.50	1.64	109
413060	322	428	6.5	4	1.5	151	0.37	1.80	2.69	1.76	65.6
423060	322	434	15	4	1.5	163	0.37	1.80	2.69	1.76	80.2
413160	328	471	9	5	2	182	0.40	1.68	2.50	1.64	115
423160	328	464	20	5	2	202	0.40	1.68	2.50	1.64	144
413064	342	449	6.5	4	1.5	157	0.37	1.80	2.69	1.76	70.9
423064	342	455	15	4	1.5	170	0.37	1.80	2.69	1.76	85.4
413164	348	505	9.5	5	2	197	0.40	1.68	2.50	1.64	150
423164	348	502	22	5	2	217	0.40	1.68	2.50	1.64	188
413068	368	488	7.5	5	2	170	0.37	1.8	2.69	1.76	89.2

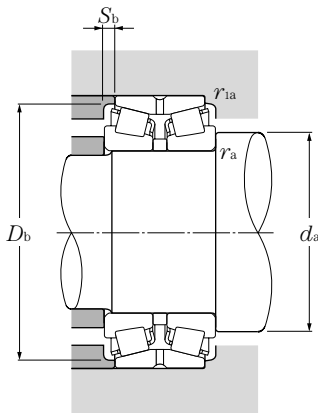
Outward facing type



d 340 ~ 480mm

d	Boundary dimensions					Basic load ratings				Limiting speeds	
	D	B ₁	C	r _{s min} ①	r _{1s min} ①	C _r dynamic	C _{or} static	C _r dynamic	C _{or} static	rpm grease	rpm oil
mm											
						kN		kgf			
340	520	165	133	6	2	1,890	3,750	193,000	380,000	500	660
	580	190	169	6	2	2,690	4,900	274,000	500,000	460	620
	580	238	190	6	2	3,350	6,500	345,000	660,000	460	620
360	540	134	120	6	2	1,470	2,810	150,000	287,000	460	620
	540	169	134	6	2	2,050	4,200	209,000	430,000	460	620
	600	192	171	6	2	2,720	5,050	277,000	515,000	430	580
	600	240	192	6	2	3,200	6,500	325,000	660,000	430	580
380	560	135	122	6	2	1,690	3,350	172,000	340,000	440	580
	560	171	135	6	2	2,080	4,350	213,000	445,000	440	580
	620	194	173	6	2	2,840	5,250	289,000	535,000	410	540
	620	243	194	6	2	3,350	6,700	340,000	685,000	410	540
400	600	148	132	6	2	1,860	3,700	190,000	375,000	410	550
	600	185	148	6	2	2,530	5,450	258,000	555,000	410	550
	650	200	178	6	3	3,000	5,800	305,000	590,000	380	510
	650	250	200	6	3	3,750	7,850	385,000	800,000	380	510
420	620	150	134	6	2	2,110	4,250	215,000	435,000	390	520
	620	188	150	6	2	2,650	5,900	270,000	600,000	390	520
	700	224	200	6	3	3,700	7,200	375,000	735,000	360	480
	700	280	224	6	3	4,800	9,700	490,000	990,000	360	480
440	650	157	140	6	3	2,470	5,150	252,000	525,000	370	490
	650	196	157	6	3	2,600	5,450	266,000	560,000	370	490
	720	226	201	6	3	4,000	7,800	410,000	795,000	340	460
	720	283	226	6	3	5,000	10,300	510,000	1,050,000	340	460
460	680	163	145	6	3	2,600	5,350	265,000	550,000	350	470
	680	204	163	6	3	3,050	6,600	310,000	670,000	350	470
	760	240	214	7.5	4	4,550	9,150	465,000	930,000	320	430
	760	300	240	7.5	4	4,900	10,300	500,000	1,050,000	320	430
480	700	165	147	6	3	2,490	5,000	254,000	510,000	330	450
	700	206	165	6	3	3,050	6,700	310,000	685,000	330	450
	790	248	221	7.5	4	4,800	9,600	490,000	975,000	310	410
	790	310	248	7.5	4	5,300	11,100	540,000	1,130,000	310	410

① Minimum allowable dimension for chamfer dimension r or r₁.



Equivalent bearing load dynamic

$$P_r = X F_r + Y F_a$$

$\frac{F_a}{F_r}$	e	$\frac{F_a}{F_r} > e$	
X	Y	X	Y
1	Y_1	0.67	Y_2

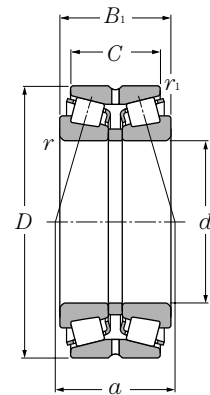
static

$$P_{or} = F_r + Y_0 F_a$$

For values of e , Y_2 and Y_0 see the table below.

Bearing numbers	Abutment and fillet dimensions					Load center mm	Constant e	Axial load factors			Mass kg (approx.)
	d_a min	D_b min	S_b min	r_{as} max	r_{1as} max			a	Y_1	Y_2	
423068	368	489	16	5	2	184	0.37	1.80	2.69	1.76	113
413168	368	544	10.5	5	2	213	0.40	1.68	2.50	1.64	188
423168	368	542	24	5	2	237	0.40	1.68	2.50	1.64	235
413072	388	507	7	5	2	176	0.37	1.80	2.69	1.76	92.7
423072	388	509	17.5	5	2	192	0.37	1.80	2.69	1.76	120
413172	388	561	10.5	5	2	219	0.40	1.68	2.50	1.64	199
423172	388	560	24	5	2	240	0.40	1.68	2.50	1.64	248
413076	408	528	6.5	5	2	183	0.37	1.80	2.69	1.76	95.9
423076	408	529	18	5	2	196	0.37	1.80	2.69	1.76	126
413176	408	583	10.5	5	2	225	0.40	1.68	2.50	1.64	210
423176	408	578	24.5	5	2	249	0.40	1.68	2.50	1.64	262
413080	428	564	8	5	2	194	0.37	1.80	2.69	1.76	105
423080	428	564	18.5	5	2	210	0.37	1.80	2.69	1.76	163
413180	428	610	11	5	2.5	232	0.40	1.68	2.50	1.64	236
423180	428	610	25	5	2.5	256	0.40	1.68	2.50	1.64	294
413084	448	586	8	5	2	200	0.37	1.80	2.69	1.76	135
423084	448	583	19	5	2	220	0.37	1.80	2.69	1.76	172
413184	448	655	12	5	2.5	258	0.40	1.68	2.50	1.64	317
423184	448	659	28	5	2.5	287	0.40	1.68	2.50	1.64	394
413088	468	614	8.5	5	2.5	208	0.37	1.80	2.69	1.76	160
423088	468	614	19.5	5	2.5	229	0.37	1.80	2.69	1.76	198
413188	468	675	12.5	5	2.5	263	0.40	1.68	2.50	1.64	330
423188	468	678	28.5	5	2.5	288	0.40	1.68	2.50	1.64	412
413092	488	646	9	5	2.5	217	0.37	1.80	2.69	1.76	179
423092	488	644	20.5	5	2.5	239	0.37	1.80	2.69	1.76	225
413192	496	714	13	6	3	276	0.40	1.68	2.50	1.64	395
423192	496	712	30	6	3	305	0.40	1.68	2.50	1.64	493
413096	508	665	9	5	2.5	223	0.37	1.80	2.69	1.76	189
423096	508	664	20.5	5	2.5	246	0.37	1.80	2.69	1.76	236
413196	516	743	13.5	6	3	281	0.40	1.68	2.50	1.64	442
423196	516	738	31	6	3	329	0.40	1.68	2.50	1.64	548

Outward facing type



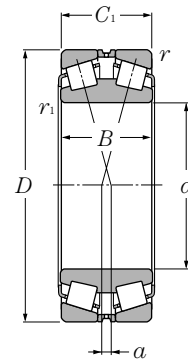
d 500mm

d	Boundary dimensions					Basic load ratings				Limiting speeds		
	D	B ₁	C	r _{s min} ①	r _{1s min} ①	dynamic	static	dynamic	static	grease	oil	
	mm					kN			kgf		rpm	

500	720	167	149	6	3	2,610	5,400	266,000	550,000	320	420
	720	209	167	6	3	3,050	6,900	315,000	700,000	320	420
	830	264	235	7.5	4	5,200	10,500	530,000	1,070,000	290	390
	830	330	264	7.5	4	6,400	14,000	650,000	1,420,000	290	390

① Minimum allowable dimension for chamfer dimension r or r₁.

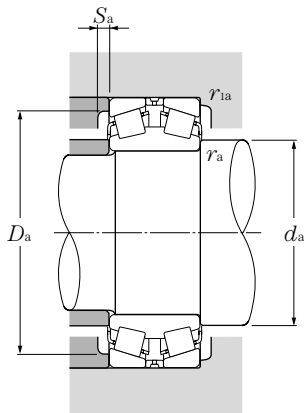
Inward facing type



d 110 ~ 280mm

d	Boundary dimensions					Basic load ratings				Limiting speeds	
	D	B	C ₁	r _{1s min} ①	r _{s min} ①	dynamic	static	dynamic	static	grease	oil
	mm					kN		kgf		rpm	
110	180	56	56	2.5	2	298	485	30,500	49,500	1,600	2,200
120	180	46	46	2.5	2	230	375	23,500	38,000	1,500	2,100
	200	62	62	2.5	2	370	610	38,000	62,500	1,500	2,000
130	200	52	52	2.5	2	294	490	29,900	50,000	1,400	1,900
	210	64	64	2.5	2	410	675	42,000	69,000	1,400	1,800
140	210	53	53	2.5	2	300	535	30,500	54,500	1,300	1,800
	225	68	68	3	2.5	390	650	40,000	66,000	1,200	1,700
150	225	56	56	3	2.5	355	630	36,000	64,500	1,200	1,600
	250	80	80	3	2.5	600	1,040	61,500	106,000	1,200	1,500
160	240	60	60	3	2.5	430	765	44,000	78,000	1,100	1,500
	270	86	86	3	2.5	675	1,180	69,000	120,000	1,100	1,400
170	260	67	67	3	2.5	490	865	50,000	88,000	1,100	1,400
	280	88	88	3	2.5	725	1,270	74,000	130,000	1,000	1,300
180	280	74	74	3	2.5	580	1,050	59,500	107,000	1,000	1,300
	300	96	96	4	3	885	1,530	90,500	156,000	940	1,300
190	290	75	75	3	2.5	615	1,110	63,000	113,000	940	1,300
	320	104	104	4	3	985	1,710	100,000	174,000	890	1,200
200	310	82	82	3	2.5	720	1,320	73,000	135,000	900	1,200
	340	112	112	4	3	1,090	1,910	111,000	195,000	840	1,100
220	340	90	90	4	3	880	1,650	89,500	168,000	810	1,100
	370	120	120	5	4	1,220	2,260	125,000	230,000	760	1,000
240	360	92	92	4	3	910	1,770	92,500	181,000	730	980
	400	128	128	5	4	1,400	2,600	142,000	265,000	690	920
260	400	104	104	5	4	1,150	2,190	117,000	223,000	670	900
	440	144	144	5	4	1,960	3,750	200,000	380,000	630	840
280	420	106	106	5	4	1,200	2,340	123,000	238,000	620	820

① Minimum allowable dimension for chamfer dimension *r* or *r*₁.



Equivalent bearing load dynamic

$$P_r = X F_r + Y F_a$$

$\frac{F_a}{F_r}$	e	$\frac{F_a}{F_r} > e$	
X	Y	X	Y
1	Y_1	0.67	Y_2

static

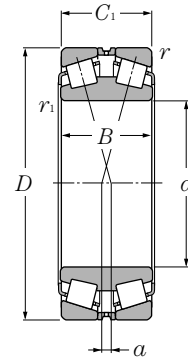
$$P_{or} = F_r + Y_0 F_a$$

For values of e , Y_2 and Y_0 see the table below.

Bearing numbers	Abutment and fillet dimensions						Load center mm <i>a</i>	Constant <i>e</i>	Axial load factors			Mass kg (approx.)
	mm								Y_1	Y_2	Y_0	
	d_a max	D_a max	min	S_a min	r_{1as} max	r_{as} max						
323122	124	170	160	8	2	2	1	0.33	2.03	3.02	1.98	5.6
323024	134	170	164	8	2	2	12	0.37	1.80	2.69	1.76	4.08
323124	134	190	175	8	2	2	6.5	0.37	1.80	2.69	1.76	7.82
323026	144	190	184	8	2	2	13.5	0.37	1.80	2.69	1.76	5.92
323126	144	200	185	8	2	2	7.5	0.37	1.80	2.69	1.76	8.58
323028	155	200	190	8	2	2	10	0.37	1.84	2.74	1.80	6.4
323128	156	213	200	10	2.5	2	8	0.37	1.80	2.69	1.76	10.7
323030	165	213	205	10	2.5	2	15.5	0.37	1.80	2.69	1.76	7.76
323130	168	238	220	10	2.5	2	6.5	0.37	1.80	2.69	1.76	15.7
323032	175	228	215	10	2.5	2	17.5	0.37	1.80	2.69	1.76	9.46
323132E1	178	258	240	10	2.5	2	8	0.37	1.80	2.69	1.76	20
323034	185	248	235	10	2.5	2	18	0.37	1.80	2.69	1.76	12.8
323134E1	188	268	250	10	2.5	2	8.5	0.37	1.80	2.69	1.76	21.5
323036E1	198	268	250	10	2.5	2	17	0.37	1.80	2.69	1.76	16.5
323136E1	200	286	265	12	3	2.5	8	0.37	1.80	2.69	1.76	27.2
323038E1	208	278	260	12	2.5	2	17.5	0.37	1.80	2.69	1.76	17.9
323138	212	306	285	12	3	2.5	8.5	0.37	1.80	2.69	1.76	34
323040E1	218	298	280	12	2.5	2	19	0.37	1.80	2.69	1.76	21.7
323140	222	326	300	12	3	2.5	8.5	0.37	1.80	2.69	1.76	41.7
323044E1	242	326	310	12	3	2.5	21.5	0.37	1.80	2.69	1.76	29.8
323144	248	352	325	14	4	3	14	0.40	1.68	2.50	1.64	52.2
323048E1	269	346	321.5	14	3	2.5	25.5	0.37	1.80	2.69	1.76	32.6
323148	268	382	355	14	4	3	17	0.40	1.68	2.50	1.64	64.6
323052	285	382	365	14	4	3	25	0.37	1.80	2.69	1.76	47.3
323152	290	422	385	16	4	3	16.5	0.40	1.68	2.50	1.64	90
323056	305	402	385	16	4	3	29.5	0.37	1.80	2.69	1.76	51.2



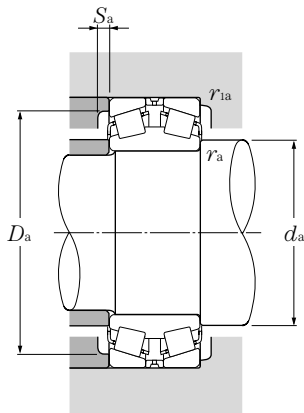
Inward facing type



d 280 ~ 500mm

d	Boundary dimensions					Basic load ratings			Limiting speeds			
	D	B	C ₁	r _{1s min} ①	r _{s min} ①	dynamic	static	dynamic	static	grease	oil	
	mm					kN			kgf		rpm	
						C _r	C _{or}	C _r	C _{or}			
280	460	146	146	6	5	1,940	3,650	198,000	375,000	580	770	
300	460	118	118	5	4	1,610	3,150	165,000	320,000	570	760	
	500	160	160	6	5	2,100	4,050	214,000	415,000	530	710	
320	480	121	121	5	4	1,580	3,100	162,000	315,000	530	710	
	540	176	176	6	5	2,500	4,900	255,000	500,000	500	660	
340	520	133	133	6	5	1,890	3,750	193,000	380,000	500	660	
	580	190	190	6	5	3,350	6,500	345,000	660,000	460	620	
360	540	134	134	6	5	2,050	4,200	209,000	430,000	460	620	
	600	192	192	6	5	3,200	6,500	325,000	660,000	430	580	
380	560	135	135	6	5	2,080	4,350	213,000	445,000	440	580	
	620	194	194	6	5	3,350	6,700	340,000	685,000	410	540	
400	600	148	148	6	5	2,530	5,450	258,000	555,000	410	550	
	650	200	200	6	6	3,750	7,850	385,000	800,000	380	510	
420	620	150	150	6	5	2,650	5,900	270,000	600,000	390	520	
	700	224	224	6	6	4,800	9,700	490,000	990,000	360	480	
440	650	157	157	6	6	2,600	5,450	266,000	560,000	370	490	
	720	226	226	6	6	5,000	10,300	510,000	1,050,000	340	460	
460	680	163	163	6	6	3,050	6,600	310,000	670,000	350	470	
	760	240	240	7.5	7.5	4,900	10,300	500,000	1,050,000	320	430	
480	700	165	165	6	6	3,050	6,700	310,000	685,000	330	450	
	790	248	248	7.5	7.5	5,300	11,100	540,000	1,130,000	310	410	
500	720	167	167	6	6	3,050	6,900	315,000	700,000	320	420	
	830	264	264	7.5	7.5	6,400	14,000	650,000	1,420,000	290	390	

① Minimum allowable dimension for chamfer dimension r or r₁.



Equivalent bearing load dynamic

$$P_r = X F_r + Y F_a$$

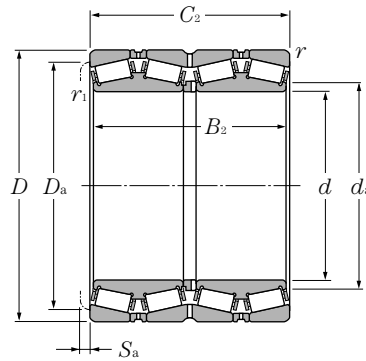
$\frac{F_a}{F_r} \leq e$		$\frac{F_a}{F_r} > e$	
X	Y	X	Y
1	Y ₁	0.67	Y ₂

static

$$P_{or} = F_r + Y_0 F_a$$

For values of e , Y_2 and Y_0 see the table below.

Bearing numbers	Abutment and fillet dimensions						Load center mm <i>a</i>	Constant <i>e</i>	Axial load factors			Mass kg (approx.)	
	mm								<i>e</i>	Y_1	Y_2		Y_0
	d_a max	D_a max	D_a min	S_a min	r_{1as} max	r_{as} max							
323156	315	438	400	16	5	4	16	0.40	1.68	2.50	1.64	95.8	
323060	330	442	425	16	4	3	31	0.37	1.80	2.69	1.76	70.7	
323160	335	478	440	16	5	4	18	0.40	1.68	2.50	1.64	126	
323064	350	462	440	16	4	3	34	0.37	1.80	2.69	1.76	76.3	
323164	355	518	480	18	5	4	18.5	0.40	1.68	2.50	1.64	164	
323068	370	498	480	18	5	4	36	0.37	1.80	2.69	1.76	101	
323168	380	558	515	18	5	4	35.5	0.40	1.68	2.50	1.64	207	
323072	395	518	495	18	5	4	41	0.37	1.80	2.69	1.76	107	
323172	400	578	535	18	5	4	25.5	0.40	1.68	2.50	1.64	218	
323076	415	538	515	18	5	4	44.5	0.37	1.80	2.69	1.76	113	
323176	420	598	550	20	5	4	29	0.40	1.68	2.50	1.64	229	
323080	440	578	550	18	5	4	45	0.37	1.80	2.69	1.76	146	
323180	445	622	580	20	5	5	32.5	0.40	1.68	2.50	1.64	259	
323084	460	598	570	20	5	4	48.5	0.37	1.80	2.69	1.76	154	
323184	465	672	625	25	5	5	60	0.40	1.68	2.50	1.64	346	
323088	480	622	600	20	5	5	53.5	0.37	1.80	2.69	1.76	177	
323188	485	692	645	25	5	5	44	0.40	1.68	2.50	1.64	361	
323092	500	652	620	25	5	5	56.5	0.37	1.80	2.69	1.76	201	
323192	510	724	680	25	6	6	34.5	0.40	1.68	2.50	1.64	433	
323096	520	672	640	25	5	5	63	0.37	1.80	2.69	1.76	211	
323196	530	754	705	30	6	6	36	0.40	1.68	2.50	1.64	481	
3230/500	540	692	655	25	5	5	61.5	0.37	1.80	2.69	1.76	221	
5E-3231/500G2	550	794	740	30	6	6	37.5	0.40	1.68	2.50	1.64	570	



d 120 ~ 187.325mm

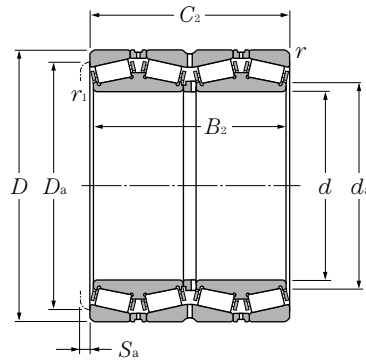
d	Boundary dimensions					dynamic C _r	Basic load ratings		
	D	B ₂	C ₂	r _{1s min} ^①	r _{s min} ^①		static C _{0r}	dynamic C _r	static C _{0r}
mm									
kN							kgf		
120	170	124	124	2.5	2	390	1,020	40,000	104,000
	210	174	174	2.5	2.5	855	1,710	87,500	174,000
120.650	174.625	141.288	139.703	0.8	1.5	510	1,220	52,000	124,000
127	182.562	158.750	158.750	1.5	3.3	660	1,730	67,000	177,000
130	184	134	134	2.5	2	480	1,190	49,000	122,000
135	180	160	160	1	2	500	1,360	51,000	138,000
136.525	190.500	161.925	161.925	1.5	3.3	695	1,900	71,000	193,000
139.700	200.025	157.165	160.340	0.8	3.3	700	1,950	71,500	199,000
140	198	144	144	2.5	2	575	1,460	58,500	149,000
146.050	244.475	192.088	187.325	1.5	3.3	955	1,980	97,000	202,000
150	212	155	155	3	2.5	660	1,700	67,500	173,000
152.400	222.250	174.625	174.625	1.5	1.5	930	2,350	94,500	239,000
160	226	165	165	3	2.5	775	2,030	79,000	207,000
	265	173	173	2.5	2.5	1,100	2,270	112,000	231,000
165.100	225.425	165.100	168.275	0.8	3.3	745	2,220	76,000	226,000
170	240	175	175	3	2.5	835	2,200	85,500	224,000
	280	181	181	2.5	2.5	1,150	2,420	117,000	247,000
177.800	247.650	192.088	192.088	1.5	3.3	1,000	2,760	102,000	281,000
	279.400	234.950	234.947	1.5	3.3	1,420	3,400	145,000	345,000
	304.800	238.227	233.365	3.3	3.3	1,580	3,100	161,000	320,000
180	254	185	185	3	2.5	910	2,390	93,000	244,000
	300	280	280	3	3	2,160	4,800	220,000	490,000
187.325	269.875	211.138	211.138	1.5	3.3	1,240	3,400	127,000	345,000

① Minimum allowable dimension for chamfer dimension r or r₁.

Bearing numbers	Abutment and fillet dimensions			Mass
	mm			kg
	d_a	D_a	S_a	(approx.)
E-625924	135	155.5	5	8.97
E-CRO-2418	140	190	4.5	22.2
* E-M224749D/M224710/M224710D	129	163	3	11.5
* T-E-48290D/48220/48220D	137	168	4.5	14.3
E-625926	144.5	169	5	11.3
E-CRO-2701	143	165	2	13.5
* T-E-48393D/48320/48320D	144	177	4	14.8
* T-E-48680D/48620/48620D	150	185	3	17.3
E-625928	156	183	5	14
* E-81576D/81962/81963D	163	225	6.5	36.8
E-625930	167.5	195	5.5	16.9
* T-E-M231649D/M231610/M231610D	165	207	4	24.7
E-625932	177.5	208.5	5.5	20.2
E-CRO-3209	184	247	4.5	33.6
* E-46791D/46720/46721D	175	209	3	20.7
E-625934	187.5	220	5.5	24.4
E-CRO-3409	192	255	5	44
* E-67791D/67720/67721D	190	229	5	29.4
* E-82681D/82620/82620D	195	251	5	55.3
* E-EE280700D/281200/281201D	198	279	7	69.9
E-625936	200.5	233.5	5.5	28.9
E-CRO-3617	201	274	5	69.4
* E-M238849D/M238810/M238810D	199.9	250	4	41.8

Note: 1. Bearing numbers marked "*" designate inch system bearings.





d 190 ~ 260mm

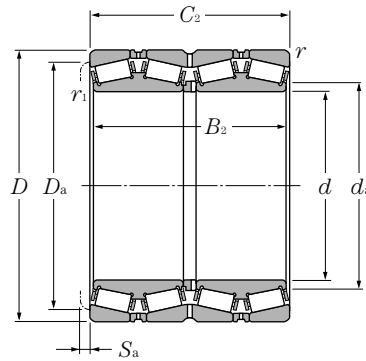
d	Boundary dimensions					dynamic C _r kN	Basic load ratings		
	D	B ₂	C ₂	r _{1s min} ①	r _{s min} ①		static C _{0r}	dynamic C _r	static C _{0r}
mm									
kgf									
190	268	196	196	3	2.5	1,060	2,850	108,000	291,000
	270	190	190	2.5	2.5	1,080	2,940	111,000	300,000
	292.100	225.425	225.425	1.5	3.3	1,570	4,150	160,000	425,000
190.500	266.700	187.325	188.912	1.5	3.3	1,040	2,990	106,000	305,000
200	282	206	206	3	2.5	1,200	3,300	122,000	335,000
	290	160	160	2.5	2.5	925	2,210	94,500	226,000
	310	200	200	3	3	1,360	2,980	138,000	305,000
203.200	317.500	215.900	209.550	3.3	3.3	1,270	2,820	129,000	288,000
215.900	288.925	177.800	177.800	0.8	3.3	1,090	3,100	111,000	315,000
220	310	226	226	4	3	1,380	3,800	141,000	385,000
220.662	314.325	239.712	239.712	1.5	3.3	1,840	4,900	187,000	500,000
228.600	425.450	349.250	361.950	3.5	6.4	3,450	8,250	355,000	845,000
234.950	327.025	196.850	196.850	1.5	3.3	1,370	3,700	140,000	380,000
240	338	248	248	4	3	1,870	4,950	191,000	505,000
241.478	350.838	228.600	228.600	1.5	3.3	1,770	4,550	180,000	465,000
244.475	327.025	193.675	193.675	1.5	3.3	1,430	4,100	146,000	415,000
	381.000	304.800	304.800	3.3	4.8	2,220	5,750	227,000	590,000
250	365	270	270	1.5	3	2,150	6,150	219,000	630,000
	370	220	220	4	4	2,050	5,750	209,000	590,000
254	358.775	269.875	269.875	3.3	3.3	2,390	6,550	244,000	670,000
	368.300	204.622	204.470	1.5	3.3	1,350	3,250	138,000	330,000
	444.500	279.400	279.400	3.3	6.4	2,890	5,900	294,000	600,000
260	368	268	268	5	4	1,990	5,700	203,000	580,000
	400	255	255	4	7.5	2,210	5,300	225,000	540,000

① Minimum allowable dimension for chamfer dimension r or r₁.

Bearing numbers	Abutment and fillet dimensions			Mass kg (approx.)
	mm			
	d_a	D_a	S_a	
E-625938	209	245.5	6	34.7
E-CRO-3812	205	250	6	34.7
* E-M241538D/M241510/M241510D	222	271	5	59.6
* T-E-67885D/67820/67820D	204	246	3	33.6
E-625940	219.5	258	6	40.5
E-CRO-4013	221	271	5	35.1
E-CRO-4014	222	284	6	48.4
* E-EE132082D/132125/132126D	224	294	9.5	62.5
* E-LM742749D/LM742714/LM742714D	227	267	5	34.3
E-625944	242	284.5	6	53.5
* T-E-M244249D/M244210/M244210D	235	293	4	60.2
* E-EE700090D/700167/700168D	263	381	3	232
* T-E-8576D/8520/8520D	250	305	5	53.6
E-625948A	260.5	312	6	70
* E-EE127097D/127137/127137D	262	325	6.5	76.4
* E-LM247748D/LM247710/LM247710DA	257	310	5	46.1
* E-EE126096D/126150/126151D	262	343	6.5	132
E-CRO-5004	275	339	5	82.1
E-CRO-5001	276	344	6	87
* T-E-M249748D/M249710/M249710D	272.5	335	5	85.6
* E-EE171000D/171450/171451D	269	340	6	71.8
* E-EE822101D/822175/822176D	289	406	8	185
E-625952	287	338.5	6	90.3
E-CRO-5215	290	359	8	106

Note: 1. Bearing numbers marked " * " designate inch system bearings.





d 260.350 ~ 304.800mm

d	Boundary dimensions					dynamic C _r kN	Basic load ratings		
	D	B ₂	C ₂	r _{1s min} ^①	r _{s min} ^①		static C _{or}	dynamic C _r	static C _{or}
mm									
							kgf		
260.350	365.125	228.600	228.600	3.3	6.4	1,750	4,550	178,000	465,000
	400.050	255.588	253.995	1.5	6.4	2,090	4,950	213,000	505,000
	422.275	314.325	317.500	6.4	3.3	2,980	7,100	305,000	725,000
266.700	355.600	230.188	228.600	1.5	3.3	1,840	5,350	188,000	545,000
	393.700	269.878	269.878	3.3	6.4	2,110	6,000	216,000	610,000
269.875	381.000	282.575	282.575	3.3	3.3	2,470	6,850	252,000	700,000
270	410	222	222	4	4	1,910	4,550	195,000	465,000
275	385	200	200	3	3	1,610	4,250	165,000	435,000
276.225	406.400	268.290	260.355	1.5	6.4	2,110	6,000	216,000	610,000
279.400	469.900	346.075	349.250	6.4	3.3	3,500	8,700	355,000	885,000
279.578	380.898	244.475	244.475	1.5	3.3	1,950	6,200	199,000	635,000
280	395	288	288	5	4	2,560	7,100	261,000	725,000
285.750	380.898	244.475	244.475	1.5	3.3	1,950	6,200	199,000	635,000
288.925	406.400	298.450	298.450	3.3	3.3	2,980	8,300	305,000	850,000
292.100	476.250	296.047	292.100	1.5	3.3	3,050	6,800	310,000	695,000
300	424	310	310	5	4	2,570	7,450	262,000	760,000
	460	360	360	4	4	4,050	10,100	415,000	1,030,000
	470	270	270	4	4	3,200	7,250	325,000	740,000
	470	292	292	4	4	3,500	8,300	360,000	845,000
300.038	422.275	311.150	311.150	3.3	3.3	3,350	9,600	340,000	980,000
304.648	438.048	279.400	279.400	3.3	3.3	2,470	6,500	252,000	665,000
	438.048	280.990	279.400	3.3	4.8	2,630	6,900	268,000	700,000
304.800	419.100	269.875	269.875	1.5	6.4	2,390	6,850	244,000	695,000
	444.500	247.650	241.300	8	1.5	1,850	4,600	188,000	470,000

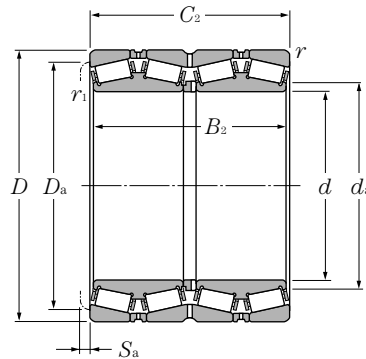
① Minimum allowable dimension for chamfer dimension r or r₁.

Bearing numbers	Abutment and fillet dimensions			Mass
	mm			
	d_a	D_a	S_a	(approx.)
* E-EE134102D/134143/134144D	282	340	6.5	76.5
* E-EE221027D/221575/221576D	292	367	8	117
* E-HM252349D/HM252310/HM252310D	290	392	5.5	180
* T-E-LM451349D/LM451310/LM451310D	281	335	6.5	62
* E-EE275106D/275155/275156D	292	367	5	116
* E-M252349D/M252310/M252310D	290	356	6	97.5
E-CRO-5403	305	382	6	91
E-CRO-5501	300	355	6	62.5
* E-EE275109D/275160/275161D	293.6	366	8	122
* E-EE722111D/722185/722186D	316	432	5	258
* T-E-LM654644D/LM654610/LM654610D	297	356	5	83.2
E-625956	304.5	363.5	7	111
* T-E-LM654648D/LM654610/LM654610D	302	356	5	77.9
* E-M255449D/M255410/M255410D	310	379	5	125
* E-EE921150D/921875/921876D	321	441	7	208
E-625960	329	389.5	7	138
E-CRO-6015	330	427	10	180
E-CRO-6012	338	438	7	152
E-CRO-6013	336	437	7	164
* T-E-HM256849D/HM256810/HM256810DG2	322	394	6	143
* E-EE329119D/329172/329173D	328	409	8	143
* E-M757448D/M757410/M757410D	328	407	7	140
* E-M257149D/M257110/M257110D	322	392	5	115
* E-EE291202D/291750/291751D	328	416	9.5	127

Note: 1. Bearing numbers marked "*" designate inch system bearings.

2. Bearing numbers marked " " designate bearing with hollow rollers and pin type cages.





d 304.800 ~ 360mm

d	Boundary dimensions				dynamic		Basic load ratings		
	D	B ₂	C ₂	r _{1s min} ①	r _{s min} ①	C _r	static	dynamic	static
mm									
kN							kgf		
304.800	495.300	342.900	349.250	3.3	6.4	3,650	9,400	370,000	960,000
304.902	412.648	266.700	266.700	3.3	3.3	2,610	7,450	267,000	760,000
305.003	438.048	280.990	279.400	3.3	4.8	2,630	6,900	268,000	700,000
317.500	422.275	269.875	269.875	1.5	3.3	2,260	7,050	231,000	715,000
	447.675	327.025	327.025	3.3	3.3	2,820	8,600	287,000	880,000
320	460	338	338	5	4	2,940	8,650	300,000	880,000
330	470	340	340	2.5	2.5	3,150	10,200	320,000	1,040,000
	510	340	340	6	6	3,900	9,650	395,000	985,000
330.200	482.600	306.388	311.150	1.5	3.3	2,810	7,900	287,000	805,000
333.375	469.900	342.900	342.900	3.3	3.3	4,000	11,000	405,000	1,130,000
340	480	350	350	6	5	3,450	10,400	350,000	1,060,000
341.312	457.098	254.000	254.000	1.5	3.3	2,370	6,900	241,000	705,000
342.900	533.400	307.985	301.625	3.3	3.3	3,150	6,900	320,000	705,000
343.052	457.098	254.000	254.000	1.5	3.3	2,370	6,900	241,000	705,000
346.075	488.950	358.775	358.775	3.3	3.3	4,350	12,700	445,000	1,300,000
347.662	469.900	292.100	292.100	3.3	3.3	3,200	9,100	325,000	925,000
355	490	316	316	1.5	3.3	3,500	10,000	355,000	1,020,000
355.600	444.500	241.300	241.300	1.5	3.3	1,760	6,200	180,000	635,000
	457.200	252.412	252.412	1.5	3.3	2,470	7,850	251,000	800,000
	482.600	265.112	269.875	1.5	3.3	2,790	7,650	285,000	780,000
	488.950	317.500	317.500	1.5	3.3	3,500	10,000	350,000	1,020,000
360	508	370	370	6	5	3,700	11,200	380,000	1,140,000
	600	540	540	5	5	6,700	18,100	685,000	1,840,000

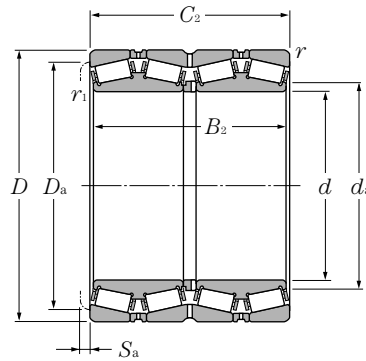
① Minimum allowable dimension for chamfer dimension r or r₁.

Bearing numbers	Abutment and fillet dimensions			Mass
	mm			kg
	d_a	D_a	S_a	(approx.)
* E-EE724121D/724195/724196D	330	450	3	273
* E-M257248D/M257210/M257210D	325	388	5	107
* E-M757449D/M757410/M757410D	328	407	7	139
* E-LM258649D/LM258610/LM258610D	333.3	398	7	110
* E-HM259049D/HM259010/HM259010D	339.6	418	5	170
E-625964	355	420.5	7	183
E-CRO-6604	366	440	5.5	141
E-CRO-6602	366	469	5	221
* E-EE526131D/526190/526191D	351	448	3	197
* E-HM261049D/HM261010/HM261010D	357	439	5	187
E-625968	373	440	7	200
* E-LM761648D/LM761610/LM761610D	359	432	5	125
* E-EE971355D/972100/972103D	378	502	11	252
* E-LM761649D/LM761610/LM761610D	361	432	5	117
* E-HM262749D/HM262710/HM262710DG2	371	456	6	227
* E-M262449D/M262410/M262410D	369	443	8	148
E-CRO-7105	378	450	7	170
* E-L163149D/L163110/L163110D	370	422	6.5	89.5
* E-LM263149D/LM263110/LM263110D	372	434	6	106
* E-LM763449D/LM763410/LM763410D	375	453	3	145
* E-M263349D/M263310/M263310D	374	459	5	173
E-625972	394	466.5	7	236
E-CRO-7210	400	550	8	520

Note: 1. Bearing numbers marked "*" designate inch system bearings.

2. Bearing numbers marked " " designate bearing with hollow rollers and pin type cages.





d 368.300 ~ 447.675mm

d	Boundary dimensions					dynamic C _r	Basic load ratings		
	D	B ₂	C ₂	r _{1s min} ^①	r _{s min} ^①		static C _{0r}	dynamic C _r	static C _{0r}
mm									
kN							kgf		
368.300	523.875	382.588	382.588	3.3	6.4	4,450	13,100	455,000	1,330,000
374.650	501.650	250.825	260.350	1.5	3.3	2,360	6,250	241,000	640,000
380	536	390	390	6	5	4,900	14,100	500,000	1,440,000
	560	285	285	5	5	3,250	7,700	330,000	785,000
384.175	546.100	400.050	400.050	3.3	6.4	5,400	16,100	550,000	1,640,000
385.762	514.350	317.500	317.500	3.3	3.3	3,650	11,100	370,000	1,130,000
393.700	546.100	288.925	288.925	1.5	6.4	3,200	10,200	325,000	1,040,000
395	545	268.7	288.7	4	7.5	2,970	8,650	305,000	880,000
400	560	380	380	5	5	4,800	14,100	490,000	1,440,000
	564	412	412	6	5	4,850	14,700	495,000	1,500,000
406.400	546.100	288.925	288.925	1.5	6.4	3,200	10,200	325,000	1,040,000
	590.550	400.050	400.050	3.3	6.4	4,850	13,600	490,000	1,380,000
	609.600	309.562	317.500	3.5	6.4	3,700	9,600	380,000	980,000
409.575	546.100	334.962	334.962	1.5	6.4	4,100	12,700	415,000	1,290,000
415.925	590.550	434.975	434.975	3.3	6.4	6,300	18,900	640,000	1,930,000
420	592	432	432	6	5	5,350	16,300	545,000	1,660,000
	650	460	460	5	5	6,950	18,300	710,000	1,870,000
431.800	571.500	279.400	279.400	1.5	3.3	3,050	9,300	315,000	950,000
	571.500	336.550	336.550	1.5	6.4	3,700	11,800	380,000	1,200,000
432.003	609.524	317.500	317.500	3.5	6.4	4,350	11,500	445,000	1,170,000
440	620	454	454	6	6	6,500	19,900	665,000	2,030,000
	650	355	355	4	7.5	5,350	13,400	545,000	1,370,000
	650	460	460	6	6	6,750	20,700	690,000	2,110,000
447.675	635.000	463.550	463.550	3.3	6.4	7,100	22,100	725,000	2,260,000

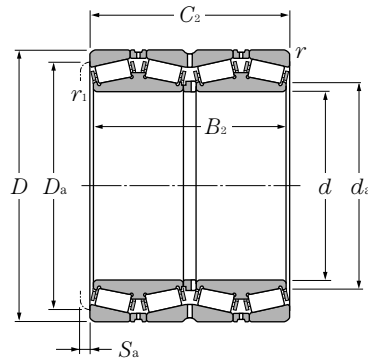
① Minimum allowable dimension for chamfer dimension r or r₁.

Bearing numbers	Abutment and fillet dimensions			Mass kg (approx.)
	mm			
	d_a	D_a	S_a	
* E-HM265049D/HM265010/HM265010DG2	393.7	487	6	280
* E-LM765149D/LM765110/LM765110D	393	472	2	145
E-625976	410	495	8	277
E-CRO-7612	417	525	7	208
* E-HM266449D/HM266410/HM266410DG2	411	507	6.5	328
* E-LM665949D/LM665910/LM665910D	409	482	7	240
* E-LM767745D/LM767710/LM767710D	418	510	6.5	219
E-CRO-7901	434	508	3	200
E-CRO-8005	426	510	8	300
E-625980	434	518.5	7	324
* E-LM767749D/LM767710/LM767710D	427	510	6.5	201
* E-EE833161D/833232/833233D	448	549	6.5	395
* E-EE911603D/912400/912401D	441	568	1.5	332
* E-M667947D/M667911/M667911DG2	431	510	5.5	226
* T-E-M268749D/M268710/M268710DG2	444	549	9	421
E-625984	457	545	7	374
E-CRO-8402	455	593	8	600
* E-LM869449D/LM869410/LM869410DG2	453	537	8	198
* E-LM769349D/LM769310/LM769310D	453	534	6.5	232
* E-EE736173D/736238/736239D	464	572	6.5	297
E-625988	479	572.5	8	430
E-CRO-8807	484	607	9	400
E-CRO-8806	483	595	11	600
* E-M270749D/M270710/M270710DAG2	478	591	8	509

Note: 1. Bearing numbers marked "*" designate inch system bearings.

2. Bearing numbers marked " " designate bearing with hollow rollers and pin type cages.





d 457.200 ~ 571.500mm

d	Boundary dimensions					C _r	Basic load ratings		
	D	B ₂	C ₂	r _{1s min} ①	r _{s min} ①		dynamic	static	dynamic
mm									
kN							kgf		
457.200	596.900	276.225	279.400	1.5	3.3	3,350	10,300	360,000	1,060,000
	660.400	323.850	323.847	3.3	6.4	4,150	11,200	425,000	1,140,000
460	650	474	474	6	6	6,500	19,900	665,000	2,030,000
475	660	450	450	3	5	6,300	20,400	645,000	2,080,000
480	678	494	494	6	6	6,250	19,600	640,000	2,000,000
	700	390	390	6	6	4,700	13,400	480,000	1,370,000
482.600	615.950	330.200	330.200	3.3	6.4	4,000	13,400	405,000	1,370,000
488.950	660.400	365.125	361.950	8	6.4	4,700	15,400	480,000	1,570,000
489.026	634.873	320.675	320.675	3.3	3.3	3,650	12,000	370,000	1,220,000
500	670	515	515	1.5	5	6,900	24,600	700,000	2,510,000
	690	480	480	5	5	6,000	19,900	610,000	2,020,000
	705	515	515	6	6	8,450	27,100	860,000	2,760,000
	730	440	440	6	6	7,200	20,600	735,000	2,100,000
501.650	711.200	520.700	520.700	3.3	6.4	8,650	27,300	885,000	2,790,000
514.350	673.100	422.275	422.275	3.3	6.4	5,950	20,500	605,000	2,090,000
519.112	736.600	536.575	536.575	3.3	6.4	9,100	28,700	925,000	2,930,000
520	735	535	535	7	5	9,100	28,700	925,000	2,930,000
536.575	761.873	558.800	558.800	3.3	6.4	10,100	30,500	1,030,000	3,100,000
558.800	736.600	322.265	322.268	3.3	6.4	4,300	13,500	435,000	1,380,000
	736.600	409.575	409.575	3.3	6.4	6,100	20,500	625,000	2,090,000
570	780	515	515	6	6	9,200	31,000	935,000	3,150,000
	810	590	590	6	6	11,000	35,500	1,120,000	3,600,000
571.500	812.800	593.725	593.725	3.3	6.4	11,900	36,500	1,220,000	3,750,000

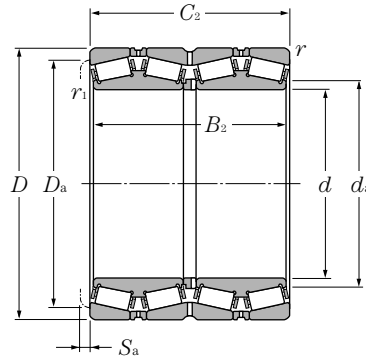
① Minimum allowable dimension for chamfer dimension r or r₁.

Bearing numbers	Abutment and fillet dimensions			Mass
	mm			kg
	d_a	D_a	S_a	(approx.)
* E-L770849D/L770810/L770810DG2	478	567	5.5	209
* E-EE737179D/737260/737260D	495	616	6.5	379
E-625992A	499	598.5	7	493
E-CRO-9501	506	614	10	465
E-625996	525	623	7	563
E-CRO-9602	517	645	8	436
* E-LM272249D/LM272210/LM272210DG2	504	585	6.5	250
* E-EE640193D/640260/640261DG2	519	624	9	364
* E-LM772749D/LM772710/LM772710D	513	600	6.5	268
E-CRO-10008	520	616	8	598
E-CRO-10005	530	640	7	600
E-6259/500	553	649.5	7.5	632
E-CRO-10003	550	683	11	535
* E-M274149D/M274110/M274110DG2	534	663	9.5	726
* E-LM274449D/LM274410/LM274410D	540	648	8	390
* E-M275349D/M275310/M275310DG2	552	684	9.5	761
E-CRO-10402	558	688	11	750
* E-M276449D/M276410/M276410DG2	564	711	9.5	890
* E-EE843221D/843290/843291D	585	699	8.5	388
* E-LM377449D/LM377410/LM377410DG2	588	696	8	502
E-CRO-11402	609	733	7.5	625
E-CRO-11403	620	760	10	845
* E-M278749D/M278710/M278710DG2	609	756	11	1,080

Note: 1. Bearing numbers marked "*" designate inch system bearings.

2. Bearing numbers marked " " designate bearing with hollow rollers and pin type cages.





d 584.200 ~ 825.500mm

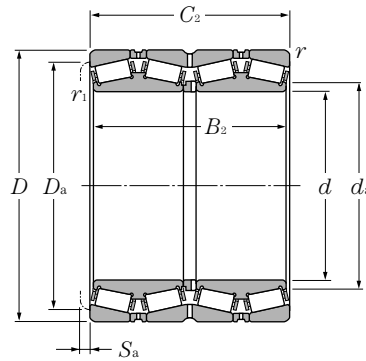
d	Boundary dimensions					dynamic C _r	Basic load ratings		
	D	B ₂	C ₂	r _{1s min} ①	r _{s min} ①		static C _{0r}	dynamic C _r	static C _{0r}
mm									
kN							kgf		
584.200	762.000	396.875	401.638	3.3	6.4	6,550	22,300	670,000	2,280,000
585.788	771.525	479.425	479.425	3.3	6.4	7,350	25,700	750,000	2,620,000
595.312	844.550	615.950	615.950	3.3	6.4	12,600	40,500	1,290,000	4,100,000
609.600	787.400	361.950	361.950	3.3	6.4	6,450	20,300	655,000	2,070,000
657.225	933.450	676.275	676.275	3.3	6.4	15,300	48,000	1,560,000	4,900,000
660	1,070	642	642	7.5	7.5	15,400	43,500	1,570,000	4,450,000
660.400	812.800	365.125	365.125	3.3	6.4	6,200	23,200	630,000	2,360,000
670	960	700	700	7.5	7.5	16,700	51,500	1,700,000	5,300,000
679.450	901.700	552.450	552.450	3.3	6.4	11,200	38,000	1,140,000	3,900,000
680	870	460	460	3	6	7,500	27,400	765,000	2,790,000
682.625	965.200	701.675	701.675	3.3	6.4	16,100	50,500	1,640,000	5,150,000
685.800	876.300	352.425	355.600	3.3	6.4	6,050	21,800	615,000	2,220,000
710	900	410	410	2.5	5	7,650	26,900	780,000	2,740,000
711.200	914.400	317.500	317.500	3.3	6.4	5,350	17,900	545,000	1,820,000
730	1,070	642	642	7.5	7.5	15,400	46,500	1,570,000	4,750,000
730.250	1,035.050	755.650	755.650	3.3	6.4	18,300	60,000	1,870,000	6,100,000
749.300	990.600	605.000	605.000	3.3	6.4	12,600	45,500	1,290,000	4,650,000
762.000	1,079.500	787.400	787.400	4.8	12.7	19,200	65,000	1,960,000	6,600,000
800	1,120	820	820	7	7.5	21,000	72,500	2,140,000	7,400,000
825.500	1,168.400	844.550	844.550	4.8	12.7	22,300	76,500	2,270,000	7,800,000

① Minimum allowable dimension for chamfer dimension r or r₁.

Bearing numbers	Abutment and fillet dimensions			Mass
	mm			kg
	d_a	D_a	S_a	(approx.)
* E-LM778549D/LM778510/LM778510DG2	615	717	7	511
* E-LM278849D/LM278810/LM278810D	615	726	10	750
* E-M280049D/M280010/M280010DG2	633	786	11	1,160
* E-EE649241D/649310/649311DG2	636	747	9.5	458
* E-M281649D/M281610/M281610DG2	699	870	11	1,630
E-CRO-13202	760	991	9	1,950
* E-L281149D/L281110/L281110DG2	682.8	777	9	448
E-CRO-13401	719	901	8	1,600
* E-LM281849D/LM281810/LM281810DG2	714	852	11	1,040
E-CRO-13602	713	824	8	582
* E-M282249D/M282210/M282210DG2	723	900	13	1,770
* E-EE655271D/655345/655346DG2	717	831	8	539
E-CRO-14208	745	850	10	620
* E-EE755281D/755360/755361DG2	744	873	9.5	527
E-CRO-14601	780	1,020	7	1,900
* E-M283449D/M283410/M283410D	774	966	13	2,210
* E-LM283649D/LM283610/LM283610DG2	786	936	10.5	1,310
* E-M284249D/M284210/M284210DG2	810	1,005	13	2,480
E-CRO-16001	858	1,052	10	3,960
* E-M285848D/M285810/M285810DG2	879	1,085	13	3,010

Note: 1. Bearing numbers marked "*" designate inch system bearings.
 2. Bearing numbers marked " " designate bearing with hollow rollers and pin type cages.





d 840 ~ 1 200.150mm

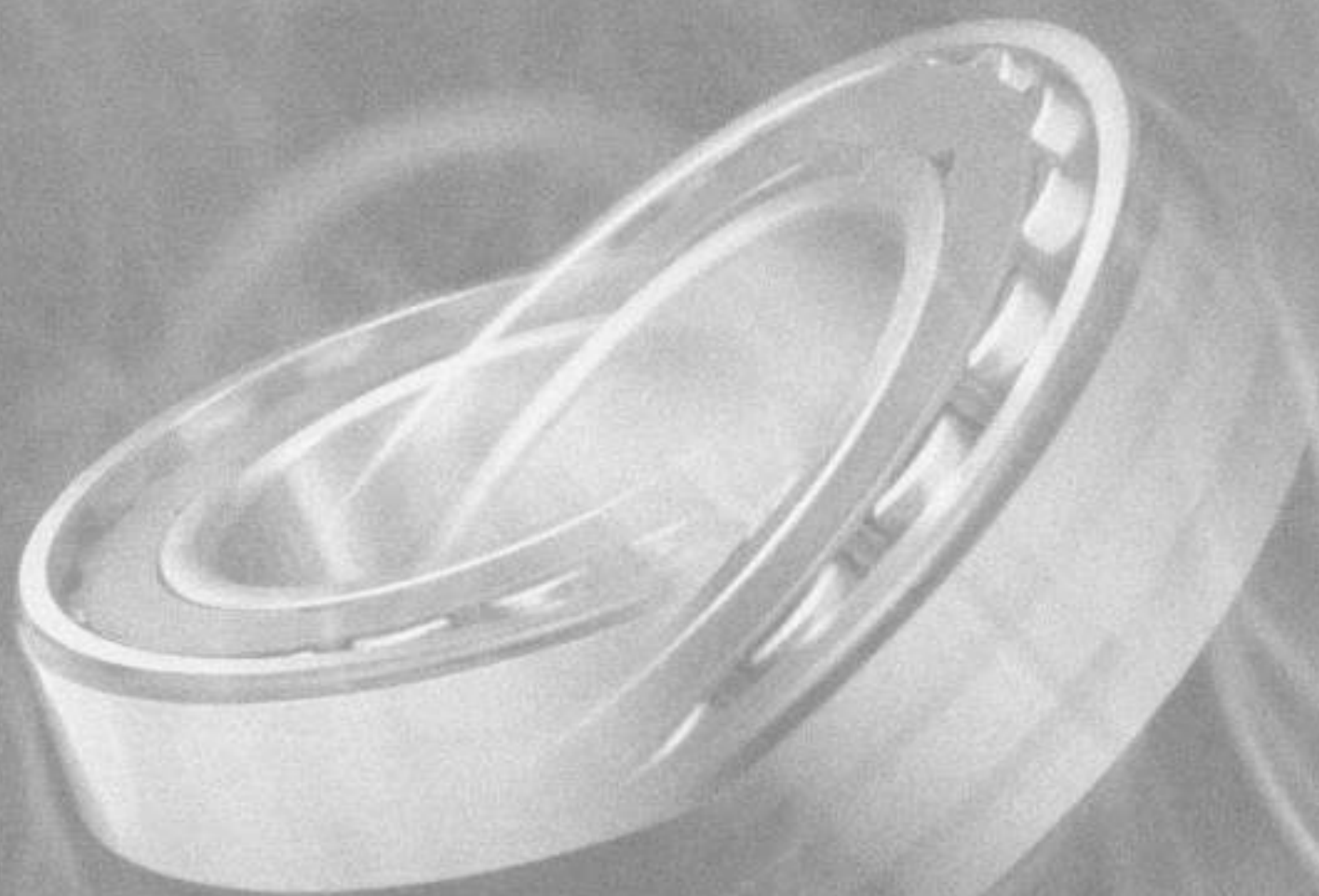
d	Boundary dimensions				dynamic		Basic load ratings		
	D	B ₂	C ₂	r _{1s min} ①	r _{s min} ①	C _r	static	dynamic	static
mm									
kN									
kgf									
840	1,170	840	840	6	6	21,900	76,500	2,230,000	7,800,000
863.600	1,130.300	669.925	669.925	4.8	12.7	15,800	59,500	1,610,000	6,050,000
	1,219.200	876.300	889.000	4.8	12.7	24,100	83,000	2,450,000	8,450,000
938.212	1,270.000	825.500	825.500	4.8	12.7	22,500	80,000	2,300,000	8,150,000
950	1,360	880	880	4	7.5	27,000	89,000	2,750,000	9,050,000
1,200.150	1,593.850	990.600	990.600	4.8	12.7	33,500	132,000	3,400,000	13,500,000

① Minimum allowable dimension for chamfer dimension r or r₁.

Bearing numbers	Abutment and fillet dimensions			Mass
	mm			kg
	d_a	D_a	S_a	(approx.)
E-CRO-16803	897	1,099	12	3,970
* E-LM286249D/LM286210/LM286210DG2	906	1,065	11	1,950
* E-EE547341D/547480/547481DG2	918	1,135	6.5	3,640
* E-LM287649D/LM287610/LM287610DG2	990	1,190	10	4,100
E-CRO-19001	1,030	1,278	12	4,100
* E-LM288949D/LM288910/LM288910DG2	1,260	1,500	13	6,130

Note: 1. Bearing numbers marked "*" designate inch system bearings.
 2. Bearing numbers marked " " designate bearing with hollow rollers and pin type cages.







1. Types, construction and characteristics

Spherical roller bearings consist of an outer ring having a continuous spherical raceway within which operates two rows of barrel-shaped rollers which are in turn guided by an inner ring with two raceways separated by a center rib. (Refer to **Diagram 1**) This bearing has self-aligning properties, and therefore is suited for use where misalignment between the inner and outer rings occurs from housing installation error or shaft flexure.

Spherical roller bearings have a large capacity for radial loads, axial loads in either direction, and complex loads. They are also suited for applications where vibration and shock loads are encountered. When operating under axial loads, however, it is desirable to maintain conditions so that $F_a/F_r \leq e$ in order to prevent sliding movement along the row of rollers not receiving the axial load. (For the value of e , refer to dimension tables.)

As shown in **Table 1**, in addition to standard type there are various other types of spherical roller bearings. Among these, **Type E** has a particularly high load capacity.

In addition to bearings with cylindrical bore diameters, those with tapered bore diameters are also available. Bearings with tapered bore diameters are specified by attaching the suffix "K" to the end of the bearing's basic number. The standard taper ratio is 1:12 for bearings with a "K" suffix, but for bearings in series 240 and 241 the suffix "K30" indicates the taper ratio for a bearing is 1:30. Most tapered bore bearings incorporate the use of adapters and withdrawal sleeves for shaft mounting.

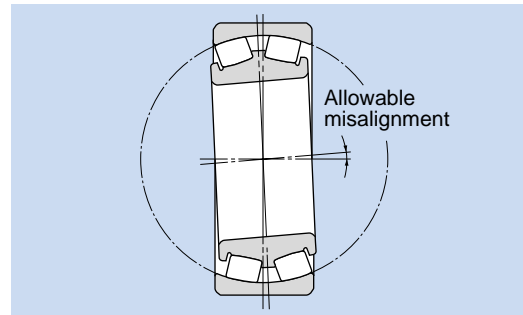
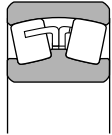
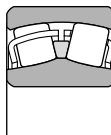

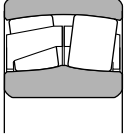


Diagram 1.

Table 1 Types of spherical roller bearings

Type	Standard type (B type)	C type	213 type	E type
Construction				
Bearing series	Does not include C type	Series 222, 223, and 213 with bore dia. of 50 mm or less; series 24024 to 24038.	Series 213 with bore dia. of 50 mm or more	Series 22211 to 22218
Rollers	Asymmetrical	Symmetrical	Asymmetrical	Symmetrical
Roller guide method	Unified inner ring center rib	Separable guide ring between rows on inner raceway	Separable guide ring between rows on outer raceway	High precision cage (center rib, guide ring)
Cage type	Pressed Cage; machined cage	Pressed Cage	Machined cage	Molded resin cage

2. Standard cage types

Standard cage types for self-aligning bearings are shown in **Table 2**. In general, pressed cages are standard for small sized bearings, and machined cages are standard for large sized bearings.

E type bearings use as their standard cage type a cage molded from a newly developed glass fiber reinforced **polyamide 46 resin which has excellent heat resistance qualities (allowable operating temperatures up to 150°C)**, strength, as well as unsurpassed oil resistance.

Nonetheless, for certain applications with high speed specifications, large vibration and shock load conditions, and extremely high operating temperature ranges, this molded polyamide 46 resin cage cannot be used as standard. Please consult NTN Engineering concerning applications with these sorts of operating conditions.

Table 2 Standard cage types

Bearing series	Molded resin cage	Pressed cage	Machined cage
239	-	-	23932 ~ 239/1400
230	-	23022B ~ 23048B	23052B ~ 230/1120B
240	-	24024C ~ 24038C	24024B ~ 240/1120B
231	-	23120B ~ 23136B	23138B ~ 231/900B
241	-	-	24122B ~ 241/710B
222	22211E ~ 22218E	22208C ~ 22210C 22211B ~ 22236B	22238B ~ 22264B
232	-	-	23218B ~ 232/750B
213	-	21308C ~ 21310C	21311 ~ 21322
223	-	22308C ~ 22310C 22311B ~ 22328B	22330B ~ 22360B

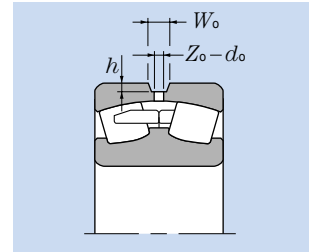


Table 3 Oil inlet and oil groove dimensions

Units mm

Nominal bearing width		Oil groove width W_o	Oil inlet diameter d_o	Oil groove depth h	
over	including			Width series 1, 2, 3	Width series 4
-	30	6	3	1.2	1.0
30	45	7	4	1.5	1.1
45	60	9	5	1.5	1.3
60	80	11	6	2.0	1.5
80	100	14	8	2.5	2.0
100	120	16	10	3.0	2.5
120	160	20	12	3.5	3.0
160	200	27	16	5.0	3.5
200	315	33	20	6.0	5.0
315	-	42	25	7.0	6.5

Table 4 Oil inlet number

Nominal bearing outer diameter	mm	Oil inlet number Z_o
over up to	including	
-	320	4
320	1 010	8
1 010	-	12

If a pin is necessary to prevent outer ring rotation, contact NTN Engineering.

3. Oil inlets and oil groove dimensions

Spherical roller bearings with an outer diameter of 320mm or more are provided with an oil inlet and oil groove on the outer ring for the purpose of supplying lubricant to the bearing's moving parts. When necessary, oil inlets and oil grooves can also be provided on bearings with outer diameters less than 320 mm. In such cases, please add the supplementary suffix code "D1" to the end of the bearing number, and contact NTN Engineering. (Refer to page A-29)

Table 3 lists dimensions for oil inlets and oil grooves.

Table 4 contains information about the number of oil inlets.

4. Allowable misalignment

Spherical roller bearings possess the same self-aligning properties as other self-aligning bearings. The allowable misalignment angle will vary according to dimension series and load conditions, but the following misalignment angles are generally standard:

Normal load (loads equivalent to 0.09 sC _r):0.009rad (0.5°)
Light load:0.035rad (2°)

5. Adapters and withdrawal sleeves

Adapters are used for installation of bearings with tapered bore diameters on cylindrical shafts. Withdrawal sleeves are also used to install and disassemble bearings with tapered bore diameters onto and off of cylindrical shafts. In disassembling the bearing from the shaft, the nut is pressed down against the edge of the inner ring utilizing the bolt provided on the withdrawal sleeve, and then the sleeve is drawn away from the bearing's inner diameter surface.

For bearings with a bore diameter of 200 mm or more, high pressure oil (hydraulic) type adapters and withdrawal sleeves have been standardized to make installation and disassembly easier. As shown in **Diagram 2** construction is designed to reduce friction by injecting high pressure oil between the surfaces of the adapter sleeve and bearing inner bore by means of a pressure fitting.

If the oil supply inlet is attached in the nut side of the adapter, the supplementary suffix "HF" should be added to the bearing number; if the oil supply inlet is attached on the opposite side, the suffix "HB" should be added to the bearing number. For adapter sleeves, the supplementary suffix "H" is added to the bearing's number in both cases.

For the hydraulic sleeve's nut, the supplementary suffix "SP" should be added to the nut's part number if a threaded bolt hole will be provided for installation / disassembly purposes; if a hole for a hydraulic pressure fitting will be provided, "SPB" should be added to the end of the nut's part number.

For more information regarding high pressure oil (hydraulic) adapters and withdrawal sleeves, please refer to their special catalog.

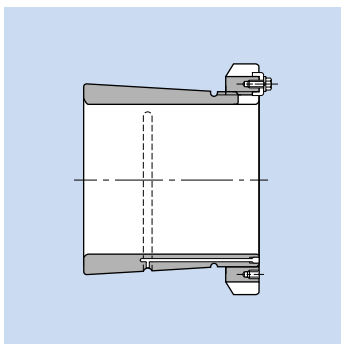
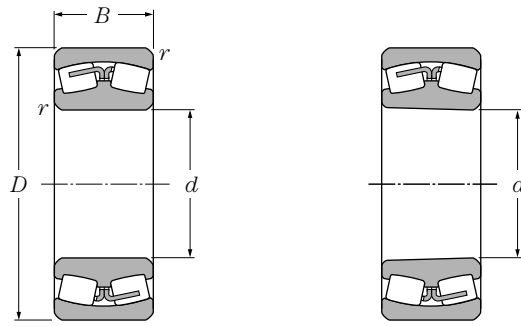


Diagram 2.





Cylindrical bore

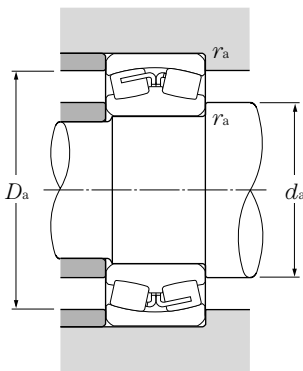
Tapered bore
taper 1:12

d 25 ~ 75mm

Boundary dimensions				Basic load ratings				Limiting speeds ^①		Bearing numbers	
mm				dynamic	static	dynamic	static	rpm		cylindrical	tapered ^②
d	D	B	$r_{s\ min}$ ^③	C_r kN	C_{or} kN	C_r kgf	C_{or} kgf	grease	oil	bore	bore
25	52	18	1	36.5	36	3,750	3,650	6,500	10,000	22205C	22205CK
30	62	20	1	49	49	5,000	5,000	5,700	8,800	22206C	22206CK
35	72	23	1.1	69.5	71	7,050	7,200	4,900	7,500	22207C	22207CK
40	80	23	1.1	79	88.5	8,050	9,000	4,300	6,600	22208C	22208CK
	90	23	1.5	88	90	8,950	9,150	3,200	4,900	21308C	21308CK
	90	33	1.5	121	128	12,300	13,000	3,800	5,900	22308C	22308CK
45	85	23	1.1	82.5	95	8,400	9,700	3,800	5,900	22209C	22209CK
	100	25	1.5	102	106	10,400	10,800	2,900	4,400	21309C	21309CK
	100	36	1.5	148	167	15,100	17,000	3,400	5,300	22309C	22309CK
50	90	23	1.1	86	102	8,750	10,400	3,500	5,300	22210C	22210CK
	110	27	2	118	127	12,000	12,900	2,600	4,000	21310C	21310CK
	110	40	2	186	212	19,000	21,600	3,100	4,800	22310C	22310CK
55	100	25	1.5	118	144	12,000	14,700	3,200	4,900	22211E	22211EK
	100	25	1.5	93.5	110	9,500	11,200	3,200	4,200	22211B	22211BK
	120	29	2	145	163	14,800	16,600	2,400	3,700	21311	21311K
	120	43	2	204	234	20,800	23,900	2,800	4,400	22311B	22311BK
60	110	28	1.5	150	182	15,300	18,500	2,900	4,500	22212E	22212EK
	110	28	1.5	115	147	11,700	15,000	2,900	4,500	22212B	22212BK
	130	31	2.1	167	191	17,100	19,500	2,200	3,400	21312	21312K
	130	46	2.1	238	273	24,300	27,800	2,600	4,000	22312B	22312BK
65	120	31	1.5	177	217	18,000	22,200	2,700	4,200	22213E	22213EK
	120	31	1.5	143	179	14,600	18,300	2,700	4,200	22213B	22213BK
	140	33	2.1	194	228	19,800	23,200	2,000	3,100	21313	21313K
	140	48	2.1	265	320	27,100	32,500	2,400	3,700	22313B	22313BK
70	125	31	1.5	184	232	18,700	23,600	2,500	3,900	22214E	22214EK
	125	31	1.5	154	201	15,700	20,500	2,500	3,900	22214B	22214BK
	150	35	2.1	220	262	22,400	26,800	1,900	2,900	21314	21314K
	150	51	2.1	325	380	33,000	39,000	2,300	3,500	22314B	22314BK
75	130	31	1.5	190	246	19,400	25,100	2,300	3,600	22215E	22215EK

① This value was achieved with machined cages and molded resin cages; for pressed cages, 75% of this value is allowable.

② "K" indicates bearings have tapered bore with a taper ratio of 1: 12. ③ Smallest allowable dimension for chamfer dimension r .



Equivalent bearing load

dynamic
 $P_r = X F_r + Y F_a$

$\frac{F_a}{F_r} \leq e$		$\frac{F_a}{F_r} > e$	
X	Y	X	Y
1	Y_1	0.67	Y_2

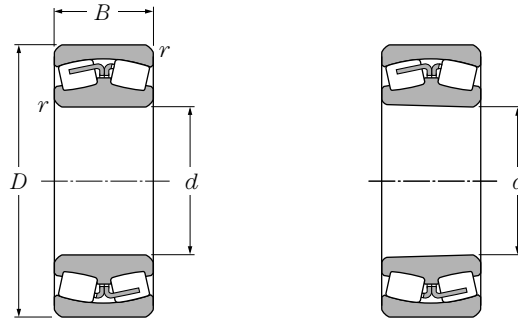
static

$P_{or} = F_r + Y_0 F_a$

For values of e , Y_1 , Y_2 and Y_0 see the table below.

Abutment and fillet dimensions				Constant	Axial load factors				Mass (approx.)	
mm				e	Y_1	Y_2	Y_0	kg		
d_a	D_a	r_{as}	cylindrical bore					tapered bore		
min	max	min	max							
31		46	1	0.35	1.92	2.86	1.88	0.186	0.182	
36		56	1	0.33	2.07	3.09	2.03	0.287	0.282	
42		65	1	0.32	2.09	3.11	2.04	0.446	0.437	
47		73	1	0.29	2.35	3.50	2.30	0.526	0.515	
48.5		81.5	1.5	0.26	2.55	3.80	2.50	0.705	0.694	
48.5		81.5	1.5	0.38	1.76	2.62	1.72	0.974	0.951	
52		78	1	0.27	2.50	3.72	2.44	0.584	0.572	
53.5		91.5	1.5	0.26	2.60	3.87	2.54	0.927	0.912	
53.5		91.5	1.5	0.36	1.86	2.77	1.82	1.33	1.3	
57		83	1	0.25	2.69	4.01	2.63	0.63	0.616	
60		100	2	0.26	2.64	3.93	2.58	1.21	1.19	
60		100	2	0.37	1.80	2.69	1.76	1.79	1.75	
63.5	67	89.5	91.5	1.5	0.24	2.83	4.21	2.76	0.808	0.79
63.5			91.5	1.5	0.28	2.42	3.61	2.37	0.85	0.832
65			110	2	0.25	2.69	4.01	2.63	1.71	1.69
65			110	2	0.40	1.68	2.50	1.64	2.3	2.25
68.5	72	98	101.5	1.5	0.25	2.75	4.09	2.69	1.09	1.07
68.5			101.5	1.5	0.27	2.49	3.71	2.44	1.15	1.13
72			118	2	0.25	2.69	4.00	2.63	2.1	2.07
72			118	2	0.42	1.62	2.42	1.59	2.9	2.83
73.5	78.5	107	111.5	1.5	0.25	2.71	4.04	2.65	1.43	1.4
73.5			111.5	1.5	0.28	2.42	3.60	2.37	1.5	1.47
77			128	2	0.25	2.69	4.00	2.63	2.55	2.51
77			128	2	0.38	1.79	2.67	1.75	3.45	3.37
78.5	83.5	112.5	116.5	1.5	0.24	2.86	4.25	2.79	1.51	1.47
78.5			116.5	1.5	0.26	2.55	3.80	2.50	1.55	1.52
82			138	2	0.25	2.69	4.00	2.63	3.18	3.14
82			138	2	0.37	1.81	2.70	1.77	4.22	4.12
83.5	89	117.5	121.5	1.5	0.22	3.00	4.47	2.94	1.59	1.55

Note: Upon request, bearings with oil inlets and oil grooves on the outer ring can also be manufactured. In such cases, please add the suffix "D1" to the end of the bearing number. (Example: 22214BD1)



Cylindrical bore

Tapered bore
taper 1:12

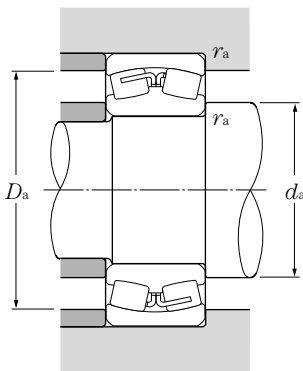
d 75 ~ 120mm

d	Boundary dimensions			dynamic C_r	Basic load ratings		Limiting speeds ^①		Bearing numbers		
	D	B	$r_{s\ min}$ ^③		static C_{or}	dynamic C_r	grease	oil	cylindrical bore	tapered ^② bore	
mm											
kN											
kgf											
rpm											
75	130	31	1.5	166	223	16,900	22,800	2,300	3,600	22215B	22215BK
	160	37	2.1	239	287	24,300	29,300	1,800	2,700	21315	21315K
	160	55	2.1	330	410	33,500	42,000	2,100	3,200	22315B	22315BK
80	140	33	2	213	277	21,700	28,200	2,200	3,400	22216E	22216EK
	140	33	2	179	239	18,300	24,400	2,200	3,400	22216B	22216BK
	170	39	2.1	260	315	26,500	32,000	1,700	2,500	21316	21316K
	170	58	2.1	385	470	39,500	48,000	2,000	3,000	22316B	22316BK
85	150	36	2	251	320	25,600	33,000	2,100	3,200	22217E	22217EK
	150	36	2	206	272	21,000	27,800	2,100	3,200	22217B	22217BK
	180	41	3	289	355	29,500	36,000	1,600	2,400	21317	21317K
	180	60	3	415	510	42,500	52,000	1,900	2,900	22317B	22317BK
90	160	40	2	292	385	29,800	39,500	1,900	3,000	22218E	22218EK
	160	40	2	256	345	26,200	35,000	1,900	3,000	22218B	22218BK
	160	52.4	2	315	455	32,500	46,500	1,800	2,800	23218B	23218BK
	190	43	3	320	400	32,500	40,500	1,500	2,300	21318	21318K
	190	64	3	480	590	49,000	60,000	1,800	2,700	22318B	22318BK
95	170	43	2.1	294	390	30,000	39,500	1,800	2,800	22219B	22219BK
	200	45	3	335	420	34,000	43,000	1,400	2,100	21319	21319K
	200	67	3	500	615	51,000	63,000	1,600	2,500	22319B	22319BK
100	165	52	2	310	470	31,500	47,500	1,700	2,600	23120B	23120BK
	180	46	2.1	315	415	32,000	42,500	1,700	2,700	22220B	22220BK
	180	60.3	2.1	405	580	41,500	59,000	1,600	2,500	23220B	23220BK
	215	47	3	370	465	37,500	47,500	1,300	2,000	21320	21320K
	215	73	3	605	755	61,500	77,000	1,600	2,400	22320B	22320BK
110	170	45	2	282	455	28,800	46,500	1,800	2,800	23022B	23022BK
	180	56	2	370	580	37,500	59,500	1,500	2,400	23122B	23122BK
	180	69	2	450	755	46,000	77,000	1,500	2,400	24122B	24122BK30
	200	53	2.1	410	570	42,000	58,000	1,600	2,400	22222B	22222BK
	200	69.8	2.1	515	760	52,500	77,500	1,400	2,200	23222B	23222BK
	240	50	3	495	615	50,500	62,500	1,200	1,800	21322	21322K
	240	80	3	745	930	76,000	95,000	1,400	2,200	22322B	22322BK
120	180	46	2	296	495	30,000	50,500	1,700	2,600	23024B	23024BK

① This value was achieved with machined cages and molded resin cages; for pressed cages, 75% of this value is allowable.

② Bearings appended with "K" have a tapered bore ratio of 1:12; bearings appended with "K30" have a tapered bore ratio of 1:30.

③ Smallest allowable dimension for chamfer dimension r .



Equivalent bearing load

dynamic
 $P_r = X F_r + Y F_a$

$\frac{F_a}{F_r} \leq e$		$\frac{F_a}{F_r} > e$	
X	Y	X	Y
1	Y_1	0.67	Y_2

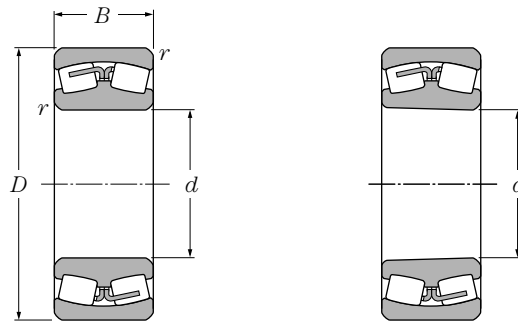
static

$P_{or} = F_r + Y_0 F_a$

For values of e , Y_1 , Y_2 and Y_0 see the table below.

Abutment and fillet dimensions					Constant	Axial load factors				Mass (approx.)	
mm					e	Y_1	Y_2	Y_0	kg		
d_a	D_a	r_{as}	cylindrical bore	tapered bore							
min	max	min	max	max							
83.5		121.5	1.5	0.24	2.81	4.19	2.75	1.65	1.61		
87		148	2	0.24	2.84	4.23	2.78	3.81	3.76		
87		148	2	0.37	1.80	2.69	1.76	5.25	5.13		
90	94.5	125.5	130	2	0.22	3.01	4.48	2.94	1.99	1.94	
90		130	2	0.26	2.64	3.93	2.58	2.15	2.11		
92		158	2	0.23	2.95	4.39	2.88	4.53	4.47		
92		158	2	0.37	1.80	2.69	1.76	6.05	5.91		
95	100.5	135	140	2	0.23	2.96	4.41	2.90	2.49	2.43	
95		140	2	0.26	2.60	3.88	2.55	2.66	2.61		
99		166	2.5	0.25	2.69	4.00	2.63	5.35	5.28		
99		166	2.5	0.37	1.82	2.71	1.78	7.1	6.94		
100	107.5	144	150	2	0.24	2.86	4.25	2.79	3.24	3.16	
100		150	2	0.26	2.55	3.80	2.49	3.5	3.42		
100		150	2	0.33	2.04	3.03	1.99	4.45	4.32		
104		176	2.5	0.24	2.83	4.22	2.77	6.3	6.21		
104		176	2.5	0.37	1.80	2.69	1.76	8.35	8.16		
107		158	2	0.26	2.63	3.92	2.57	4.1	4.01		
109		186	2.5	0.23	3.00	4.46	2.93	7.1	7		
109		186	2.5	0.37	1.80	2.69	1.76	9.76	9.54		
110		155	2	0.32	2.12	3.15	2.07	4.3	4.16		
112		168	2	0.26	2.55	3.80	2.49	4.95	4.84		
112		168	2	0.34	1.98	2.94	1.93	6.47	6.28		
114		201	2.5	0.22	3.01	4.48	2.94	8.89	8.78		
114		201	2.5	0.37	1.80	2.69	1.76	12.4	12.1		
120		160	2	0.26	2.59	3.85	2.53	3.71	3.58		
120		170	2	0.31	2.17	3.24	2.13	5.4	5.22		
120		170	2	0.38	1.76	2.63	1.73	7.07	6.96		
122		188	2	0.27	2.51	3.74	2.46	7.2	7.04		
122		188	2	0.35	1.91	2.84	1.86	9.71	9.43		
124		226	2.5	0.21	3.20	4.77	3.13	11.2	11.1		
124		226	2.5	0.36	1.87	2.79	1.83	17.1	16.7		
130		170	2	0.25	2.69	4.01	2.63	4.05	3.9		

Note: Upon request, bearings with oil inlets and oil grooves on the outer ring can also be manufactured. In such cases, please add the suffix "D1" to the end of the bearing number. (Example: 23024BD1)



Cylindrical bore

Tapered bore
taper 1:12

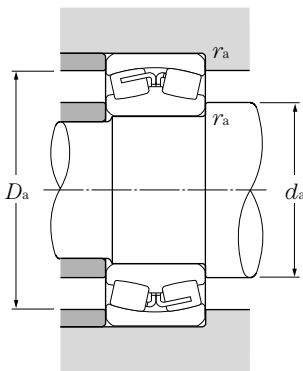
d 120 ~ 160mm

d	Boundary dimensions			dynamic C _r	Basic load ratings		Limiting speeds ^①		Bearing numbers		
	D	B	r _{s min} ^③		static C _{or}	dynamic C _r	static C _{or}	rpm	cylindrical bore	tapered ^② bore	
mm											
kgf											
rpm											
grease oil											
120	180	60	2	390	670	39,500	68,500	1,500	2,300	24024B	24024BK30
	180	60	2	395	695	40,000	71,000	1,500	2,300	24024C	24024CK30
	200	62	2	455	705	46,500	71,500	1,400	2,100	23124B	23124BK
	200	80	2	575	945	58,500	96,500	1,400	2,100	24124B	24124BK30
	215	58	2.1	485	700	49,500	71,500	1,400	2,200	22224B	22224BK
	215	76	2.1	585	880	59,500	89,500	1,300	2,000	23224B	23224BK
	260	86	3	880	1,120	89,500	114,000	1,300	2,000	22324B	22324BK
130	200	52	2	375	620	38,500	63,500	1,500	2,300	23026B	23026BK
	200	69	2	505	895	51,500	91,000	1,300	2,100	24026B	24026BK30
	200	69	2	490	860	50,000	87,500	1,300	2,100	24026C	24026CK30
	210	64	2	495	795	50,500	81,000	1,300	2,000	23126B	23126BK
	210	80	2	585	995	60,000	102,000	1,300	2,000	24126B	24126BK30
	230	64	3	570	790	58,000	80,500	1,300	2,000	22226B	22226BK
	230	80	3	685	1,060	70,000	108,000	1,200	1,900	23226B	23226BK
280	93	4	1,000	1,290	102,000	131,000	1,200	1,800	22326B	22326BK	
140	210	53	2	405	690	41,000	70,500	1,400	2,200	23028B	23028BK
	210	69	2	510	945	52,000	96,500	1,200	1,900	24028B	24028BK30
	210	69	2	520	940	53,000	95,500	1,200	1,900	24028C	24028CK30
	225	68	2.1	540	895	55,000	91,000	1,200	1,800	23128B	23128BK
	225	85	2.1	670	1,150	68,500	117,000	1,200	1,800	24128B	24128BK30
	250	68	3	685	975	70,000	99,500	1,200	1,900	22228B	22228BK
	250	88	3	805	1,270	82,000	129,000	1,100	1,700	23228B	23228BK
300	102	4	1,130	1,460	115,000	149,000	1,100	1,700	22328B	22328BK	
150	225	56	2.1	445	775	45,500	79,000	1,300	2,000	23030B	23030BK
	225	75	2.1	585	1,060	59,500	108,000	1,200	1,800	24030B	24030BK30
	225	75	2.1	600	1,090	61,000	111,000	1,200	1,800	24030C	24030CK30
	250	80	2.1	730	1,190	74,500	121,000	1,100	1,700	23130B	23130BK
	250	100	2.1	885	1,520	90,500	155,000	1,100	1,700	24130B	24130BK30
	270	73	3	775	1,160	79,000	119,000	1,100	1,700	22230B	22230BK
	270	96	3	935	1,460	95,000	149,000	1,000	1,600	23230B	23230BK
320	108	4	1,270	1,750	130,000	179,000	1,000	1,600	22330B	22330BK	
160	220	45	2	320	610	33,000	62,500	1,300	2,000	23932	23932K
	240	60	2.1	505	885	51,500	90,000	1,200	1,900	23032B	23032BK
	240	80	2.1	650	1,200	66,500	122,000	1,100	1,700	24032B	24032BK30
	240	80	2.1	665	1,250	67,500	127,000	1,100	1,700	24032C	24032CK30

① This value was achieved with machined cages and molded resin cages; for pressed cages, 75% of this value is allowable.

② Bearings appended with "K" have a tapered bore ratio of 1:12; bearings appended with "K30" have a tapered bore ratio of 1:30.

③ Smallest allowable dimension for chamfer dimension r.



Equivalent bearing load

$$P_r = XF_r + YF_a$$

$\frac{F_a}{F_r} \leq e$		$\frac{F_a}{F_r} > e$	
X	Y	X	Y
1	Y_1	0.67	Y_2

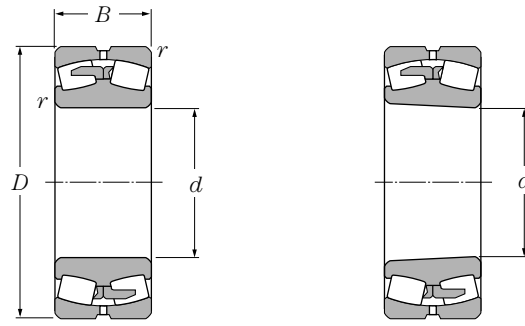
static

$$P_{or} = F_r + Y_0 F_a$$

For values of e , Y_1 , Y_2 and Y_0 see the table below.

Abutment and fillet dimensions			Constant	Axial load factors			Mass (approx.)	
mm							kg	
d_a	D_a	r_{as}	e	Y_1	Y_2	Y_0	cylindrical bore	tapered bore
min	max	max						
130	170	2	0.33	2.06	3.07	2.02	5.48	5.39
130	170	2	0.32	2.12	3.15	2.07	5.48	4.91
130	190	2	0.31	2.17	3.24	2.13	7.7	7.46
130	190	2	0.40	1.68	2.50	1.64	10.3	10.1
132	203	2	0.27	2.47	3.68	2.42	9.1	8.89
132	203	2	0.36	1.89	2.82	1.85	12.1	11.7
134	246	2.5	0.37	1.80	2.69	1.76	21.5	21
140	190	2	0.26	2.63	3.92	2.57	5.9	5.69
140	190	2	0.34	1.98	2.95	1.94	8.08	7.95
140	190	2	0.32	2.12	3.15	2.07	7.91	7.78
140	200	2	0.30	2.23	3.32	2.18	8.47	8.2
140	200	2	0.38	1.78	2.65	1.74	11	10.8
144	216	2.5	0.28	2.39	3.56	2.33	11.2	10.9
144	216	2.5	0.35	1.92	2.86	1.88	14.3	13.9
148	262	3	0.37	1.81	2.69	1.77	26.8	26.2
150	200	2	0.25	2.73	4.06	2.67	6.35	6.12
150	200	2	0.32	2.09	3.12	2.05	8.57	8.43
150	200	2	0.30	2.23	3.32	2.18	8.48	7.66
152	213	2	0.30	2.25	3.35	2.20	10.2	9.86
152	213	2	0.38	1.80	2.68	1.76	13.3	13.1
154	236	2.5	0.28	2.39	3.55	2.33	14	13.7
154	236	2.5	0.36	1.90	2.83	1.86	18.8	18.2
158	282	3	0.37	1.80	2.69	1.76	33.8	33
162	213	2	0.24	2.76	4.11	2.70	7.73	7.45
162	213	2	0.33	2.06	3.07	2.02	10.7	10.5
162	213	2	0.30	2.25	3.34	2.20	10.5	10.3
162	238	2	0.32	2.11	3.15	2.06	15.6	15.1
162	238	2	0.40	1.69	2.51	1.65	20.2	20
164	256	2.5	0.27	2.46	3.66	2.4	18.1	17.7
164	256	2.5	0.36	1.88	2.79	1.83	24.1	23.4
168	302	3	0.35	1.92	2.86	1.88	42.7	41.8
170	210	2	0.18	3.69	5.49	3.61	5.5	5.33
172	228	2	0.25	2.74	4.09	2.68	9.42	9.09
172	228	2	0.32	2.10	3.13	2.06	13	12.8
172	228	2	0.31	2.18	3.24	2.13	12	11.8

Note: When the outer diameter of a Spherical Roller Bearing is 320mm or larger, an oil groove is on OD. See page B-230 on dimensions. We can make bearings with oil hole or oil groove in the outer ring, per your request, for an outer diameter of 320mm or less. Such bearings are indicated by attaching "D1" to the end of the bearing number. (ex. 23032BD1)



Cylindrical bore

Tapered bore
taper 1:12

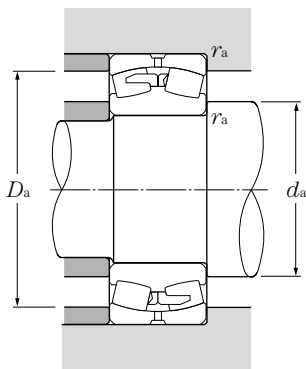
d 160 ~ 200mm

d	Boundary dimensions			dynamic C_r	Basic load ratings				Limiting speeds ^①		Bearing numbers	
	D	B	$r_{s\ min}$ ^③		static C_{Or}	dynamic C_r	static C_{Or}	dynamic C_r	rpm	grease	oil	cylindrical bore
160	270	86	2.1	840	1,370	85,500	140,000	1,000	1,600	23132B	23132BK	
	270	109	2.1	1,040	1,780	106,000	181,000	1,000	1,600	24132B	24132BK30	
	290	80	3	870	1,290	88,500	132,000	1,000	1,600	22232B	22232BK	
	290	104	3	1,050	1,660	107,000	170,000	960	1,500	23232B	23232BK	
	340	114	4	1,410	1,990	144,000	203,000	940	1,500	22332B	22332BK	
170	230	45	2	330	650	34,000	66,000	1,200	1,900	23934	23934K	
	260	67	2.1	630	1,080	64,000	110,000	1,100	1,800	23034B	23034BK	
	260	90	2.1	800	1,470	81,500	150,000	1,000	1,600	24034B	24034BK30	
	260	90	2.1	815	1,500	83,000	153,000	1,000	1,600	24034C	24034CK30	
	280	88	2.1	885	1,490	90,500	152,000	960	1,500	23134B	23134BK	
	280	109	2.1	1,080	1,880	110,000	191,000	960	1,500	24134B	24134BK30	
	310	86	4	1,000	1,520	102,000	155,000	980	1,500	22234B	22234BK	
	310	110	4	1,180	1,960	120,000	200,000	910	1,400	23234B	23234BK	
360	120	4	1,540	2,180	157,000	223,000	880	1,400	22334B	22334BK		
180	250	52	2	440	835	45,000	85,000	1,200	1,800	23936	23936K	
	280	74	2.1	740	1,290	75,500	132,000	1,100	1,700	23036B	23036BK	
	280	100	2.1	965	1,770	98,500	181,000	950	1,500	24036B	24036BK30	
	280	100	2.1	965	1,770	98,500	181,000	950	1,500	24036C	24036CK30	
	300	96	3	1,030	1,730	105,000	176,000	900	1,400	23136B	23136BK	
	300	118	3	1,250	2,210	127,000	225,000	900	1,400	24136B	24136BK30	
	320	86	4	1,040	1,610	106,000	164,000	920	1,400	22236B	22236BK	
	320	112	4	1,230	2,000	125,000	204,000	850	1,300	23236B	23236BK	
380	126	4	1,740	2,560	177,000	261,000	830	1,300	22336B	22336BK		
190	260	52	2	460	890	47,000	91,000	1,100	1,700	23938	23938K	
	290	75	2.1	755	1,350	77,000	138,000	1,000	1,600	23038B	23038BK	
	290	100	2.1	995	1,850	102,000	188,000	900	1,400	24038B	24038BK30	
	290	100	2.1	970	1,820	98,500	186,000	900	1,400	24038C	24038CK30	
	320	104	3	1,190	2,020	122,000	206,000	850	1,300	23138B	23138BK	
	320	128	3	1,420	2,480	144,000	253,000	850	1,300	24138B	24138BK30	
	340	92	4	1,160	1,810	118,000	185,000	860	1,300	22238B	22238BK	
	340	120	4	1,400	2,330	143,000	237,000	790	1,200	23238B	23238BK	
400	132	5	1,870	2,790	191,000	284,000	780	1,200	22338B	22338BK		
200	280	60	2.1	545	1,100	56,000	112,000	1,000	1,600	23940	23940K	
	310	82	2.1	915	1,620	93,000	165,000	960	1,500	23040B	23040BK	
	310	109	2.1	1,160	2,140	118,000	219,000	850	1,300	24040B	24040BK30	

① This value was achieved with machined cages and molded resin cages; for pressed cages, 75% of this value is allowable.

② Bearings appended with "K" have a tapered bore ratio of 1:12; bearings appended with "K30" have a tapered bore ratio of 1:30.

③ Smallest allowable dimension for chamfer dimension r .



Equivalent bearing load

dynamic

$$P_r = XF_r + YF_a$$

$\frac{F_a}{F_r} \leq e$		$\frac{F_a}{F_r} > e$	
X	Y	X	Y
1	Y_1	0.67	Y_2

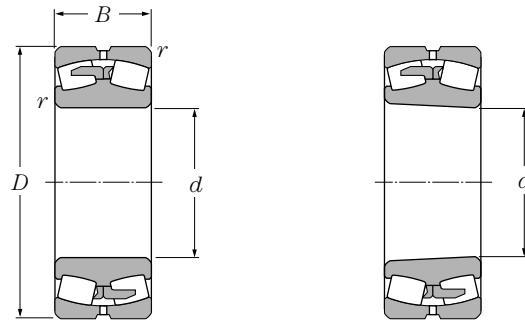
static

$$P_{or} = F_r + Y_o F_a$$

For values of e , Y_1 , Y_2 and Y_o see the table below.

Abutment and fillet dimensions			Constant	Axial load factors			Mass (approx.)	
mm							kg	
d_a	D_a	r_{as}	e	Y_1	Y_2	Y_o	cylindrical bore	tapered bore
min	max	max						
172	258	2	0.32	2.11	3.15	2.07	19.8	19.2
172	258	2	0.40	1.67	2.48	1.63	26	25.6
174	276	2.5	0.28	2.42	3.60	2.37	22.7	22.2
174	276	2.5	0.36	1.86	2.77	1.82	30	29.1
178	322	3	0.35	1.94	2.89	1.90	50.8	49.7
180	220	2	0.17	3.91	5.83	3.83	5.8	5.62
182	248	2	0.25	2.66	3.96	2.60	12.7	12.3
182	248	2	0.34	1.98	2.95	1.94	17.7	17.4
182	248	2	0.31	2.16	3.22	2.12	17.4	17.1
182	268	2	0.31	2.15	3.21	2.11	21.5	20.8
182	268	2	0.39	1.74	2.59	1.70	27.2	26.8
188	292	3	0.28	2.39	3.56	2.34	28	27.3
188	292	3	0.36	1.87	2.79	1.83	36.8	35.7
188	342	3	0.34	1.96	2.91	1.91	59.8	58.5
190	240	2	0.19	3.52	5.25	3.45	8.21	7.95
192	268	2	0.26	2.59	3.85	2.53	16.7	16.1
192	268	2	0.35	1.91	2.85	1.87	23.3	22.9
192	268	2	0.33	2.04	3.04	2.00	23	22.6
194	286	2.5	0.32	2.11	3.15	2.07	25.1	24.2
194	286	2.5	0.39	1.72	2.56	1.68	34.3	33.8
198	302	3	0.27	2.49	3.70	2.43	29.3	28.6
198	302	3	0.35	1.91	2.84	1.86	39	37.8
198	362	3	0.34	1.97	2.93	1.92	70	68.5
200	250	2	0.18	3.81	5.67	3.73	8.6	8.34
202	278	2	0.26	2.65	3.94	2.59	17.7	17.1
202	278	2	0.33	2.03	3.02	1.98	24.3	23.9
202	278	2	0.31	2.16	3.22	2.12	23	22.6
204	306	2.5	0.33	2.07	3.09	2.03	35.3	34.2
204	306	2.5	0.40	1.69	2.51	1.65	42.8	42.2
208	322	3	0.27	2.47	3.68	2.42	36.6	35.8
208	322	3	0.36	1.89	2.82	1.85	47.6	46.2
212	378	4	0.34	1.97	2.94	1.93	81	79.3
212	268	2	0.17	3.91	5.82	3.82	12.1	11.7
212	298	2	0.26	2.59	3.85	2.53	22.7	21.9
212	298	2	0.35	1.94	2.89	1.90	31	30.5

Note: When the outer diameter of a Spherical Roller Bearing is 320mm or larger, an oil groove is on OD. See page B-230 on dimensions. We can make bearings with oil hole or oil groove in the outer ring, per your request, for an outer diameter of 320mm or less. Such bearings are indicated by attaching "D1" to the end of the bearing number. (ex. 23040BD1)



Cylindrical bore

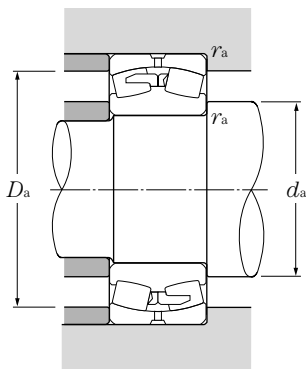
Tapered bore
taper 1:12

d 200 ~ 280mm

d	Boundary dimensions			dynamic C _r	Basic load ratings				Limiting speeds		Bearing numbers	
	D	B	r _{s min} ^②		static C _{0r}	dynamic C _r	static C _{0r}	kgf	rpm	grease	oil	cylindrical bore
200	340	112	3	1,350	2,270	137,000	231,000	800	1,200	23140B	23140BK	
	340	140	3	1,630	2,900	166,000	295,000	800	1,200	24140B	24140BK30	
	360	98	4	1,310	2,010	134,000	205,000	820	1,300	22240B	22240BK	
	360	128	4	1,610	2,640	165,000	269,000	750	1,200	23240B	23240BK	
	420	138	5	2,040	3,050	208,000	310,000	740	1,100	22340B	22340BK	
220	300	60	2.1	565	1,170	57,500	119,000	930	1,400	23944	23944K	
	340	90	3	1,060	1,920	108,000	195,000	870	1,300	23044B	23044BK	
	340	118	3	1,350	2,570	138,000	262,000	770	1,200	24044B	24044BK30	
	370	120	4	1,540	2,670	157,000	272,000	720	1,100	23144B	23144BK	
	370	150	4	1,880	3,400	192,000	345,000	720	1,100	24144B	24144BK30	
	400	108	4	1,580	2,460	161,000	251,000	730	1,100	22244B	22244BK	
	400	144	4	2,010	3,350	205,000	340,000	670	1,000	23244B	23244BK	
460	145	5	2,350	3,500	240,000	360,000	660	1,000	22344B	22344BK		
240	320	60	2.1	565	1,190	58,000	121,000	840	1,300	23948	23948K	
	360	92	3	1,130	2,140	116,000	219,000	790	1,200	23048B	23048BK	
	360	118	3	1,410	2,770	144,000	282,000	700	1,100	24048B	24048BK30	
	400	128	4	1,730	3,050	177,000	310,000	650	1,000	23148B	23148BK	
	400	160	4	2,110	3,800	215,000	390,000	650	1,000	24148B	24148BK30	
	440	120	4	1,940	3,100	198,000	315,000	660	1,000	22248B	22248BK	
	440	160	4	2,430	4,100	247,000	420,000	610	940	23248B	23248BK	
	500	155	5	2,720	4,100	278,000	420,000	600	930	22348B	22348BK	
260	360	75	2.1	760	1,580	77,500	161,000	770	1,200	23952	23952K	
	400	104	4	1,420	2,620	144,000	267,000	720	1,100	23052B	23052BK	
	400	140	4	1,830	3,550	186,000	365,000	640	980	24052B	24052BK30	
	440	144	4	2,140	3,850	219,000	395,000	600	920	23152B	23152BK	
	440	180	4	2,510	4,600	256,000	470,000	600	920	24152B	24152BK30	
	480	130	5	2,230	3,600	228,000	365,000	610	930	22252B	22252BK	
	480	174	5	2,760	4,700	281,000	480,000	560	860	23252B	23252BK	
540	165	6	3,100	4,750	320,000	485,000	550	850	22352B	22352BK		
280	380	75	2.1	830	1,750	84,500	179,000	710	1,100	23956	23956K	
	420	106	4	1,510	2,920	154,000	297,000	660	1,000	23056B	23056BK	
	420	140	4	1,950	3,950	199,000	405,000	590	900	24056B	24056BK30	
	460	146	5	2,300	4,250	234,000	435,000	550	850	23156B	23156BK	
	460	180	5	2,730	5,200	278,000	530,000	550	850	24156B	24156BK30	
	500	130	5	2,310	3,800	236,000	390,000	560	860	22256B	22256BK	

① Bearings appended with "K" have a tapered bore ratio of 1:12; bearings appended with "K30" have a tapered bore ratio of 1:30.

② Smallest allowable dimension for chamfer dimension r.



Equivalent bearing load

dynamic

$$P_r = XF_r + YF_a$$

$\frac{F_a}{F_r} \leq e$		$\frac{F_a}{F_r} > e$	
X	Y	X	Y
1	Y_1	0.67	Y_2

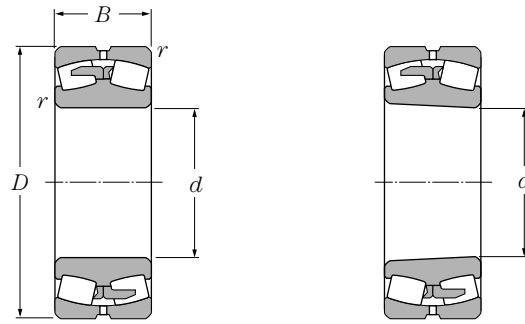
static

$$P_{or} = F_r + Y_0 F_a$$

For values of e , Y_1 , Y_2 and Y_0 see the table below.

Abutment and fillet dimensions			Constant	Axial load factors			Mass (approx.)	
mm							kg	
d_a	D_a	r_{as}	e	Y_1	Y_2	Y_0	cylindrical bore	tapered bore
min	max	max						
214	326	2.5	0.33	2.05	3.05	2.00	43.3	42
214	326	2.5	0.41	1.64	2.44	1.60	53.4	52.6
218	342	3	0.28	2.45	3.64	2.39	44	43
218	342	3	0.36	1.88	2.79	1.83	57.2	55.5
222	398	4	0.34	1.98	2.95	1.94	93.2	91.2
232	288	2	0.19	3.62	5.39	3.54	13.1	12.7
234	326	2.5	0.26	2.59	3.85	2.53	29.9	28.8
234	326	2.5	0.34	1.97	2.94	1.93	40.2	39.6
238	352	3	0.33	2.07	3.09	2.03	53.3	51.6
238	352	3	0.41	1.66	2.47	1.62	67	66
238	382	3	0.27	2.46	3.66	2.40	60.4	59.1
238	382	3	0.36	1.85	2.76	1.81	80	77.6
242	438	4	0.33	2.06	3.07	2.02	117	115
252	308	2	0.16	4.13	6.15	4.04	14	13.6
254	346	2.5	0.25	2.69	4.01	2.63	33.4	32.2
254	346	2.5	0.32	2.09	3.12	2.05	43	42.3
258	382	3	0.32	2.11	3.15	2.07	65.8	63.8
258	382	3	0.40	1.69	2.51	1.65	82.2	80.9
258	422	3	0.28	2.43	3.62	2.38	81.7	80
258	422	3	0.37	1.83	2.72	1.79	108	105
262	478	4	0.32	2.10	3.13	2.06	148	145
272	348	2	0.19	3.53	5.26	3.45	24	23.3
278	382	3	0.26	2.63	3.92	2.57	48.5	46.8
278	382	3	0.34	1.96	2.91	1.91	65.2	64.1
278	422	3	0.33	2.05	3.06	2.01	91.4	88.6
278	422	3	0.41	1.63	2.43	1.60	114	112
282	458	4	0.28	2.45	3.64	2.39	106	104
282	458	4	0.37	1.83	2.72	1.79	141	137
288	512	5	0.32	2.13	3.18	2.09	183	179
292	368	2	0.17	3.88	5.78	3.79	26.4	25.6
298	402	3	0.25	2.73	4.06	2.67	52.4	50.6
298	402	3	0.33	2.06	3.07	2.02	69	67.9
302	438	4	0.32	2.13	3.18	2.09	97.7	94.6
302	438	4	0.39	1.73	2.58	1.69	120	118
302	478	4	0.26	2.57	3.83	2.51	112	110

Note: Please refer to page B-230 for outer ring oil inlet and oil groove dimensions.



Cylindrical bore

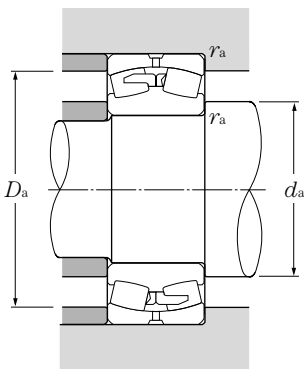
Tapered bore
taper 1:12

d 280 ~ 380mm

d	Boundary dimensions			dynamic C _r	Basic load ratings				Limiting speeds		Bearing numbers	
	D	B	r _{s min} ^②		static C _{0r}	dynamic C _r	static C _{0r}	dynamic C _r	static C _{0r}	rpm	rpm	cylindrical bore
mm												
kgf												
rpm												
280	500	176	5	2,930	5,150	298,000	525,000	510	790	23256B	23256BK	
	580	175	6	3,500	5,350	360,000	545,000	500	780	22356B	22356BK	
300	420	90	3	1,110	2,320	113,000	237,000	650	1,000	23960	23960K	
	460	118	4	1,890	3,550	193,000	365,000	610	940	23060B	23060BK	
	460	160	4	2,450	4,950	250,000	505,000	540	840	24060B	24060BK30	
	500	160	5	2,750	5,000	280,000	510,000	510	780	23160B	23160BK	
	500	200	5	3,300	6,400	340,000	650,000	510	780	24160B	24160BK30	
	540	140	5	2,670	4,350	272,000	440,000	510	790	22260B	22260BK	
	540	192	5	3,450	6,000	355,000	615,000	470	730	23260B	23260BK	
620	185	7.5	3,600	5,400	365,000	550,000	470	720	22360B	22360BK		
320	440	90	3	1,140	2,460	116,000	251,000	610	930	23964	23964K	
	480	121	4	1,960	3,850	200,000	395,000	570	880	23064B	23064BK	
	480	160	4	2,510	5,200	255,000	530,000	500	780	24064B	24064BK30	
	540	176	5	3,100	5,800	320,000	590,000	470	730	23164B	23164BK	
	540	218	5	3,850	7,300	390,000	745,000	470	730	24164B	24164BK30	
	580	150	5	3,100	5,050	315,000	515,000	480	730	22264B	22264BK	
580	208	5	4,000	7,050	410,000	720,000	440	680	23264B	23264BK		
340	460	90	3	1,220	2,650	124,000	270,000	570	870	23968	23968K	
	520	133	5	2,310	4,550	235,000	465,000	530	820	23068B	23068BK	
	520	180	5	3,000	6,200	305,000	630,000	470	720	24068B	24068BK30	
	580	190	5	3,600	6,600	365,000	670,000	440	680	23168B	23168BK	
	580	243	5	4,600	8,950	470,000	910,000	440	680	24168B	24168BK30	
620	224	6	4,450	8,000	455,000	815,000	410	630	23268B	23268BK		
360	480	90	3	1,320	2,930	135,000	298,000	530	820	23972	23972K	
	540	134	5	2,370	4,700	242,000	480,000	500	770	23072B	23072BK	
	540	180	5	3,100	6,600	320,000	675,000	440	680	24072B	24072BK30	
	600	192	5	3,750	7,050	385,000	715,000	410	630	23172B	23172BK	
	600	243	5	4,600	9,150	470,000	935,000	410	630	24172B	24172BK30	
650	232	6	4,850	8,700	495,000	885,000	380	590	23272B	23272BK		
380	520	106	4	1,560	3,550	159,000	360,000	500	770	23976	23976K	
	560	135	5	2,510	5,150	256,000	525,000	470	720	23076B	23076BK	
	560	180	5	3,250	7,100	330,000	725,000	410	640	24076B	24076BK30	
	620	194	5	3,900	7,500	400,000	765,000	390	590	23176B	23176BK	
	620	243	5	4,800	9,650	490,000	985,000	390	590	24176B	24176BK30	

① Bearings appended with "K" have a tapered bore ratio of 1:12; bearings appended with "K30" have a tapered bore ratio of 1:30.

② Smallest allowable dimension for chamfer dimension r.



Equivalent bearing load

dynamic

$$P_r = XF_r + YF_a$$

$\frac{F_a}{F_r} \leq e$		$\frac{F_a}{F_r} > e$	
X	Y	X	Y
1	Y_1	0.67	Y_2

static

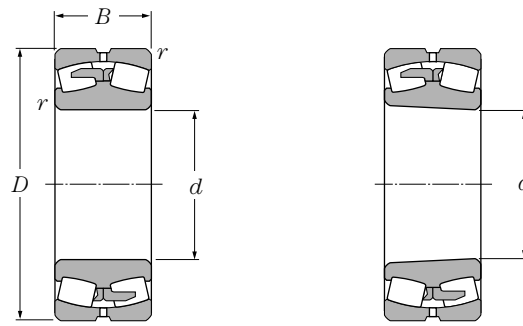
$$P_{or} = F_r + Y_0 F_a$$

For values of e , Y_1 , Y_2 and Y_0 see the table below.

Abutment and fillet dimensions			Constant	Axial load factors			Mass (approx.)	
mm							kg	
d_a	D_a	r_{as}	e	Y_1	Y_2	Y_0	cylindrical bore	tapered bore
min	max	max						
302	478	4	0.36	1.90	2.83	1.86	150	145
308	552	5	0.31	2.16	3.22	2.12	224	220
314	406	2.5	0.20	3.34	4.98	3.27	40	38.7
318	442	3	0.25	2.66	3.96	2.60	72.4	70.2
318	442	3	0.34	1.97	2.93	1.92	98	96.4
322	478	4	0.32	2.11	3.15	2.07	131	127
322	478	4	0.40	1.69	2.51	1.65	161	159
322	518	4	0.26	2.57	3.83	2.51	141	138
322	518	4	0.36	1.88	2.79	1.83	193	187
336	584	6	0.32	2.13	3.17	2.08	270	265
334	426	2.5	0.19	3.50	5.21	3.42	43	41.7
338	462	3	0.25	2.73	4.06	2.67	78.2	75.5
338	462	3	0.33	2.06	3.07	2.02	103	101
342	518	4	0.33	2.06	3.07	2.02	167	162
342	518	4	0.40	1.67	2.48	1.63	207	204
342	558	4	0.26	2.57	3.83	2.51	172	168
342	558	4	0.36	1.86	2.77	1.82	243	236
354	446	2.5	0.17	3.91	5.83	3.83	44.7	43.3
362	498	4	0.25	2.68	3.99	2.62	104	100
362	498	4	0.34	1.98	2.95	1.94	140	138
362	558	4	0.33	2.05	3.06	2.01	210	204
362	558	4	0.42	1.61	2.39	1.57	269	265
368	592	5	0.37	1.84	2.75	1.80	300	291
374	466	2.5	0.17	3.99	5.93	3.90	47.2	45.7
382	518	4	0.24	2.78	4.14	2.72	110	106
382	518	4	0.33	2.06	3.07	2.02	147	145
382	578	4	0.32	2.11	3.15	2.07	222	215
382	578	4	0.40	1.67	2.48	1.63	281	277
388	622	5	0.36	1.87	2.78	1.83	339	329
398	502	3	0.19	3.54	5.27	3.46	69.9	67.7
402	538	4	0.24	2.87	4.27	2.80	115	111
402	538	4	0.30	2.23	3.32	2.18	153	150
402	598	4	0.31	2.16	3.22	2.12	235	228
402	598	4	0.39	1.73	2.58	1.69	292	287

Note: Please refer to page B-230 for outer ring oil inlet and oil groove dimensions.





Cylindrical bore

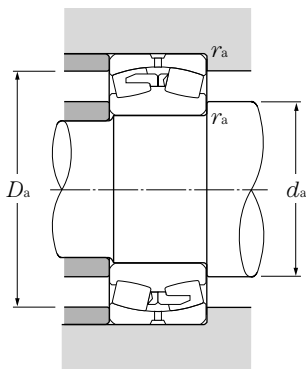
Tapered bore
taper 1:12

d 380 ~ 500mm

d	Boundary dimensions			dynamic C _r	Basic load ratings				Limiting speeds		Bearing numbers	
	D	B	r _{s min} ^②		static C _{0r}	dynamic C _r	static C _{0r}	dynamic C _r	static C _{0r}	rpm	rpm	cylindrical bore
mm												
kgf												
rpm												
grease												
oil												
380	680	240	6	5,200	9,650	530,000	985,000	360	550	23276B	23276BK	
400	540	106	4	1,580	3,650	161,000	370,000	470	720	23980	23980K	
	600	148	5	2,980	6,050	305,000	615,000	440	680	23080B	23080BK	
	600	200	5	3,850	8,400	390,000	855,000	390	600	24080B	24080BK30	
	650	200	6	4,200	8,050	425,000	820,000	360	560	23180B	23180BK	
	650	250	6	5,100	10,300	520,000	1,060,000	360	560	24180B	24180BK30	
	720	256	6	5,850	10,600	595,000	1,080,000	340	520	23280B	23280BK	
420	560	106	4	1,630	3,850	166,000	390,000	450	690	23984	23984K	
	620	150	5	3,100	6,400	315,000	650,000	420	640	23084B	23084BK	
	620	200	5	3,850	8,450	395,000	865,000	370	570	24084B	24084BK30	
	700	224	6	5,200	9,950	530,000	1,020,000	350	530	23184B	23184BK	
	700	280	6	6,150	12,200	625,000	1,240,000	350	530	24184B	24184BK30	
	760	272	7.5	6,550	12,000	665,000	1,230,000	320	490	23284B	23284BK	
440	600	118	4	2,030	4,700	207,000	480,000	420	650	23988	23988K	
	650	157	6	3,300	6,850	335,000	695,000	400	610	23088B	23088BK	
	650	212	6	4,300	9,450	440,000	960,000	350	540	24088B	24088BK30	
	720	226	6	5,200	10,100	530,000	1,030,000	330	500	23188B	23188BK	
	720	280	6	6,450	13,100	660,000	1,330,000	330	500	24188B	24188BK30	
	790	280	7.5	6,900	12,800	705,000	1,310,000	300	470	23288B	23288BK	
460	620	118	4	2,100	4,950	214,000	505,000	400	620	23992	23992K	
	680	163	6	3,600	7,450	365,000	760,000	370	580	23092B	23092BK	
	680	218	6	4,600	10,200	470,000	1,040,000	330	510	24092B	24092BK30	
	760	240	7.5	5,700	11,400	585,000	1,160,000	310	470	23192B	23192BK	
	760	300	7.5	7,100	14,500	725,000	1,480,000	310	470	24192B	24192BK30	
	830	296	7.5	7,750	14,500	790,000	1,470,000	290	440	23292B	23292BK	
480	650	128	5	2,330	5,500	238,000	565,000	380	590	23996	23996K	
	700	165	6	3,650	7,700	370,000	785,000	360	550	23096B	23096BK	
	700	218	6	4,650	10,500	475,000	1,070,000	320	490	24096B	24096BK30	
	790	248	7.5	6,200	12,300	635,000	1,260,000	290	450	23196B	23196BK	
	790	308	7.5	7,450	15,300	760,000	1,560,000	290	450	24196B	24196BK30	
	870	310	7.5	8,300	15,500	845,000	1,580,000	270	420	23296B	23296BK	
500	670	128	5	2,370	5,600	242,000	570,000	360	560	239/500	239/500K	
	720	167	6	3,850	8,300	390,000	845,000	340	530	230/500B	230/500BK	

① Bearings appended with "K" have a tapered bore ratio of 1:12; bearings appended with "K30" have a tapered bore ratio of 1:30.

② Smallest allowable dimension for chamfer dimension r.



Equivalent bearing load

dynamic

$$P_r = XF_r + YF_a$$

$\frac{F_a}{F_r} \leq e$		$\frac{F_a}{F_r} > e$	
X	Y	X	Y
1	Y_1	0.67	Y_2

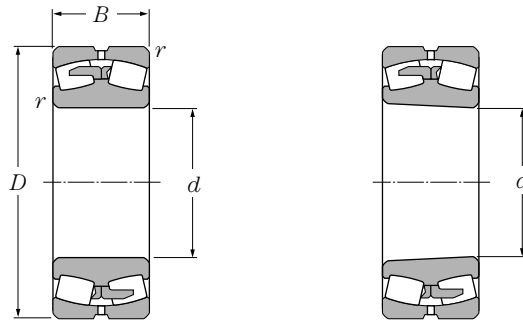
static

$$P_{or} = F_r + Y_0 F_a$$

For values of e , Y_1 , Y_2 and Y_0 see the table below.

Abutment and fillet dimensions			Constant	Axial load factors			Mass (approx.)	
mm							kg	
d_a	D_a	r_{as}	e	Y_1	Y_2	Y_0	cylindrical bore	tapered bore
min	max	max						
408	652	5	0.36	1.89	2.82	1.85	380	369
418	522	3	0.18	3.71	5.53	3.63	73	70.7
422	578	4	0.24	2.80	4.16	2.73	149	144
422	578	4	0.32	2.09	3.11	2.04	202	200
428	622	5	0.31	2.21	3.28	2.16	264	256
428	622	5	0.38	1.77	2.63	1.73	329	324
428	692	5	0.37	1.81	2.69	1.77	457	443
438	542	3	0.17	3.95	5.88	3.86	76.2	73.8
442	598	4	0.24	2.85	4.24	2.78	157	152
442	598	4	0.32	2.13	3.18	2.09	210	207
448	672	5	0.32	2.11	3.15	2.07	354	343
448	672	5	0.40	1.69	2.51	1.65	440	433
456	724	6	0.36	1.86	2.77	1.82	544	528
458	582	3	0.18	3.66	5.46	3.58	101	98
468	622	5	0.24	2.85	4.24	2.78	181	175
468	622	5	0.32	2.11	3.15	2.07	245	241
468	692	5	0.31	2.15	3.21	2.11	370	358
468	692	5	0.39	1.75	2.61	1.71	456	449
476	754	6	0.36	1.88	2.80	1.84	600	582
478	602	3	0.17	3.95	5.88	3.86	107	104
488	652	5	0.23	2.88	4.29	2.82	206	200
488	652	5	0.31	2.15	3.21	2.11	276	272
496	724	6	0.31	2.14	3.19	2.10	443	429
496	724	6	0.39	1.71	2.55	1.67	550	541
496	794	6	0.36	1.87	2.78	1.83	704	683
502	628	4	0.18	3.85	5.73	3.76	123	119
508	672	5	0.23	2.94	4.38	2.88	217	209
508	672	5	0.30	2.22	3.30	2.17	285	280
516	754	6	0.31	2.15	3.21	2.11	492	477
516	754	6	0.39	1.74	2.59	1.70	608	600
516	834	6	0.36	1.87	2.78	1.83	814	790
522	648	4	0.17	4.02	5.98	3.93	131	127
528	692	5	0.23	2.98	4.44	2.91	226	218

Note: Please refer to page B-230 for outer ring oil inlet and oil groove dimensions.



Cylindrical bore

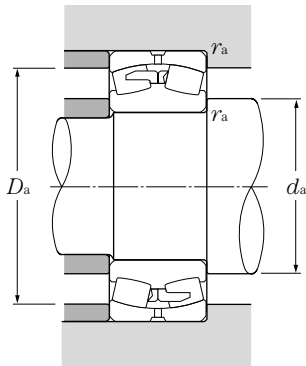
Tapered bore
taper 1:12

d 500 ~ 670mm

d	Boundary dimensions			dynamic C _r	Basic load ratings				Limiting speeds		Bearing numbers	
	D	B	r _{s min} ^②		static C _{0r}	dynamic C _r	static C _{0r}	dynamic C _r	static C _{0r}	rpm	rpm	cylindrical bore
mm												
kgf												
rpm												
500	720	218	6	4,750	10,900	485,000	1,110,000	300	460	240/500B	240/500BK30	
	830	264	7.5	6,950	13,700	705,000	1,400,000	280	430	231/500B	231/500BK	
	830	325	7.5	8,050	16,700	825,000	1,700,000	280	430	241/500B	241/500BK30	
	920	336	7.5	9,400	17,800	960,000	1,820,000	260	400	232/500B	232/500BK	
530	710	136	5	2,640	6,450	269,000	655,000	340	520	239/530	239/530K	
	780	185	6	4,400	9,350	445,000	955,000	320	490	230/530B	230/530BK	
	780	250	6	5,600	12,700	570,000	1,290,000	280	430	240/530B	240/530BK30	
	870	272	7.5	7,000	14,200	715,000	1,450,000	260	400	231/530B	231/530BK	
	870	335	7.5	8,300	17,400	850,000	1,770,000	260	400	241/530B	241/530BK30	
	980	355	9.5	10,400	19,800	1,060,000	2,020,000	240	370	232/530B	232/530BK	
560	750	140	5	2,830	6,700	288,000	680,000	320	490	239/560	239/560K	
	820	195	6	4,800	10,500	490,000	1,070,000	300	450	230/560B	230/560BK	
	820	258	6	6,100	14,100	620,000	1,440,000	260	400	240/560B	240/560BK30	
	920	280	7.5	7,650	15,500	780,000	1,580,000	240	370	231/560B	231/560BK	
	920	355	7.5	9,950	20,800	1,010,000	2,120,000	240	370	241/560B	241/560BK30	
	1,030	365	9.5	11,100	21,100	1,130,000	2,150,000	220	340	232/560B	232/560BK	
600	800	150	5	3,150	7,800	325,000	795,000	290	450	239/600	239/600K	
	870	200	6	5,250	12,000	535,000	1,220,000	270	420	230/600B	230/600BK	
	870	272	6	6,450	15,600	655,000	1,590,000	240	370	240/600B	240/600BK30	
	980	300	7.5	9,000	18,400	920,000	1,880,000	220	340	231/600B	231/600BK	
	980	375	7.5	10,700	23,200	1,090,000	2,360,000	220	340	241/600B	241/600BK30	
	1,090	388	9.5	12,200	23,700	1,240,000	2,420,000	210	320	232/600B	232/600BK	
630	850	165	6	3,700	9,250	375,000	945,000	270	420	239/630	239/630K	
	920	212	7.5	5,900	13,000	600,000	1,330,000	260	400	230/630B	230/630BK	
	920	290	7.5	7,550	17,900	770,000	1,830,000	230	350	240/630B	240/630BK30	
	1,030	315	7.5	9,600	19,900	975,000	2,030,000	210	320	231/630B	231/630BK	
	1,030	400	7.5	11,600	25,000	1,180,000	2,550,000	210	320	241/630B	241/630BK30	
	1,150	412	12	13,700	26,800	1,400,000	2,740,000	190	300	232/630B	232/630BK	
670	900	170	6	4,100	10,300	420,000	1,050,000	250	390	239/670	239/670K	
	980	230	7.5	6,550	14,600	665,000	1,490,000	240	360	230/670B	230/670BK	
	980	308	7.5	8,650	20,600	885,000	2,100,000	210	320	240/670B	240/670BK30	
	1,090	336	7.5	11,000	22,800	1,120,000	2,330,000	190	300	231/670B	231/670BK	
	1,090	412	7.5	12,700	28,000	1,300,000	2,850,000	190	300	241/670B	241/670BK30	
	1,220	438	12	16,100	32,000	1,640,000	3,250,000	180	280	232/670B	232/670BK	

① Bearings appended with "K" have a tapered bore ratio of 1:12; bearings appended with "K30" have a tapered bore ratio of 1:30.

② Smallest allowable dimension for chamfer dimension r.



Equivalent bearing load

dynamic

$$P_r = XF_r + YF_a$$

$\frac{F_a}{F_r} \leq e$		$\frac{F_a}{F_r} > e$	
X	Y	X	Y
1	Y_1	0.67	Y_2

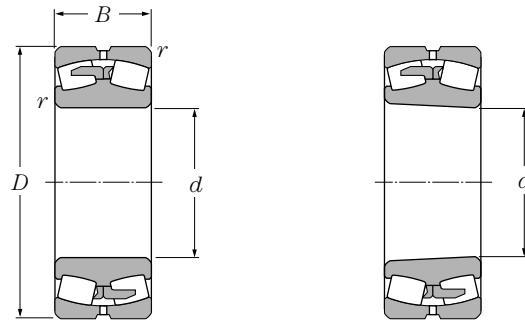
static

$$P_{or} = F_r + Y_0 F_a$$

For values of e , Y_1 , Y_2 and Y_0 see the table below.

Abutment and fillet dimensions			Constant	Axial load factors			Mass (approx.)	
mm							kg	
d_a	D_a	r_{as}	e	Y_1	Y_2	Y_0	cylindrical bore	tapered bore
min	max	max						
528	692	5	0.30	2.28	3.40	2.23	295	290
536	794	6	0.32	2.12	3.16	2.08	584	566
536	794	6	0.39	1.72	2.57	1.69	716	705
536	884	6	0.39	1.74	2.59	1.70	1,000	971
552	688	4	0.17	3.94	5.87	3.86	157	152
558	752	5	0.22	3.03	4.52	2.97	306	295
558	752	5	0.30	2.24	3.33	2.19	413	406
566	834	6	0.30	2.22	3.30	2.17	653	633
566	834	6	0.38	1.79	2.67	1.75	800	788
574	936	8	0.39	1.74	2.59	1.70	1,200	1,170
582	728	4	0.16	4.09	6.09	4.00	182	176
588	792	5	0.22	3.03	4.51	2.96	353	340
588	792	5	0.30	2.29	3.40	2.24	467	459
596	884	6	0.30	2.27	3.38	2.22	752	729
596	884	6	0.39	1.75	2.61	1.71	948	934
604	986	8	0.36	1.88	2.80	1.84	1,360	1,320
622	778	4	0.18	3.85	5.73	3.76	218	211
628	842	5	0.21	3.17	4.72	3.10	400	386
628	842	5	0.29	2.33	3.47	2.28	544	535
636	944	6	0.30	2.22	3.30	2.17	908	880
636	944	6	0.37	1.81	2.70	1.77	1,130	1,110
644	1,046	8	0.36	1.86	2.77	1.82	1,540	1,490
658	822	5	0.18	3.66	5.45	3.58	277	268
666	884	6	0.22	3.14	4.67	3.07	481	464
666	884	6	0.30	2.28	3.40	2.23	657	646
666	994	6	0.30	2.27	3.38	2.22	1,050	1,020
666	994	6	0.38	1.78	2.66	1.74	1,330	1,310
684	1,096	10	0.36	1.87	2.78	1.83	1,900	1,840
698	872	5	0.18	3.76	5.59	3.67	317	307
706	944	6	0.22	3.07	4.57	3.00	594	573
706	944	6	0.29	2.29	3.41	2.24	794	781
706	1,054	6	0.30	2.22	3.30	2.17	1,250	1,210
706	1,054	6	0.37	1.83	2.73	1.79	1,530	1,510
724	1,166	10	0.36	1.89	2.81	1.85	2,270	2,200

Note: Please refer to page B-230 for outer ring oil inlet and oil groove dimensions.



Cylindrical bore

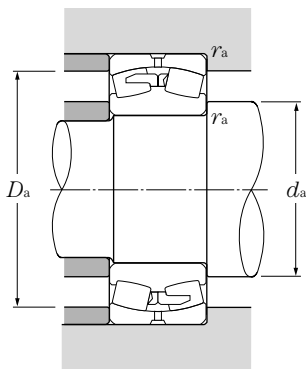
Tapered bore
taper 1:12

d 710 ~ 1060mm

d	Boundary dimensions			Basic load ratings				Limiting speeds		Bearing numbers	
	D	B	r _{s min} ^②	dynamic C _r	static C _{0r}	dynamic C _r	static C _{0r}	grease	oil	cylindrical bore	tapered ^① bore
710	950	180	6	4,450	11,500	450,000	1,170,000	240	370	239/710	239/710K
	1,030	236	7.5	7,200	16,200	730,000	1,650,000	220	340	230/710B	230/710BK
	1,030	315	7.5	9,300	22,500	945,000	2,300,000	200	300	240/710B	240/710BK30
	1,150	345	9.5	11,600	24,900	1,190,000	2,540,000	180	280	231/710B	231/710BK
	1,150	438	9.5	14,500	32,000	1,470,000	3,250,000	180	280	241/710B	241/710BK30
	1,280	450	12	16,300	32,500	1,660,000	3,300,000	170	260	232/710B	232/710BK
750	1,000	185	6	5,000	13,000	510,000	1,330,000	220	340	239/750	239/750K
	1,090	250	7.5	8,150	18,300	835,000	1,860,000	210	320	230/750B	230/750BK
	1,090	335	7.5	10,100	24,600	1,030,000	2,500,000	180	280	240/750B	240/750BK30
	1,220	365	9.5	12,800	27,200	1,310,000	2,780,000	170	260	231/750B	231/750BK
	1,360	475	15	18,200	36,500	1,860,000	3,750,000	160	240	232/750B	232/750BK
800	1,060	195	6	5,400	13,700	550,000	1,400,000	200	310	239/800	239/800K
	1,150	258	7.5	8,400	19,500	860,000	1,990,000	190	290	230/800B	230/800BK
	1,150	345	7.5	11,200	27,800	1,140,000	2,840,000	170	260	240/800B	240/800BK30
	1,280	375	9.5	14,400	31,000	1,460,000	3,150,000	150	240	231/800B	231/800BK
850	1,120	200	6	5,850	15,100	595,000	1,540,000	190	290	239/850	239/850K
	1,220	272	7.5	9,750	22,700	995,000	2,310,000	170	270	230/850B	230/850BK
	1,220	365	7.5	12,500	31,500	1,270,000	3,200,000	150	240	240/850B	240/850BK30
	1,360	400	12	15,500	34,000	1,580,000	3,500,000	140	220	231/850B	231/850BK
900	1,180	206	6	6,650	17,300	675,000	1,770,000	170	270	239/900	239/900K
	1,280	280	7.5	10,300	24,700	1,050,000	2,520,000	160	250	230/900B	230/900BK
	1,280	375	7.5	13,200	33,500	1,350,000	3,450,000	140	220	240/900B	240/900BK30
	1,420	412	12	16,800	38,000	1,720,000	3,850,000	130	200	231/900B	231/900BK
950	1,250	224	7.5	7,750	20,500	790,000	2,090,000	160	250	239/950	239/950K
	1,360	300	7.5	11,500	28,400	1,180,000	2,900,000	150	230	230/950B	230/950BK
	1,360	412	7.5	15,500	40,000	1,580,000	4,100,000	130	210	240/950B	240/950BK30
1000	1,320	236	7.5	8,600	22,700	875,000	2,310,000	150	230	239/1000	239/1000K
	1,420	308	7.5	12,400	30,000	1,260,000	3,050,000	140	220	230/1000B	230/1000BK
	1,420	412	7.5	16,000	42,000	1,640,000	4,250,000	120	190	240/1000B	240/1000BK30
1060	1,400	250	7.5	9,300	24,700	950,000	2,520,000	140	210	239/1060	239/1060K
	1,500	325	9.5	13,600	33,500	1,390,000	3,400,000	130	200	230/1060B	230/1060BK
	1,500	438	9.5	17,800	47,000	1,810,000	4,800,000	120	180	240/1060B	240/1060BK30

① Bearings appended with "K" have a tapered bore ratio of 1:12; bearings appended with "K30" have a tapered bore ratio of 1:30.

② Smallest allowable dimension for chamfer dimension r.



Equivalent bearing load

dynamic

$$P_r = XF_r + YF_a$$

$\frac{F_a}{F_r}$	e	$\frac{F_a}{F_r} > e$
X	Y	X
1	Y_1	0.67
		Y_2

static

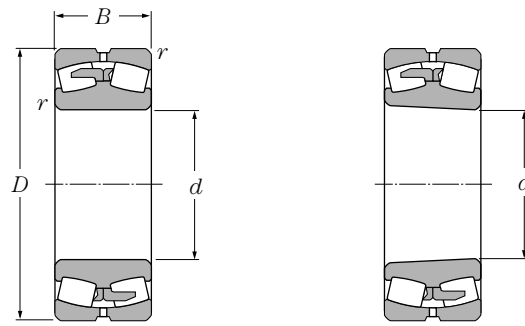
$$P_{or} = F_r + Y_0 F_a$$

For values of e , Y_1 , Y_2 and Y_0 see the table below.

Abutment and fillet dimensions			Constant	Axial load factors			Mass (approx.)	
mm							kg	
d_a	D_a	r_{as}	e	Y_1	Y_2	Y_0	cylindrical bore	tapered bore
min	max	max						
738	922	5	0.18	3.85	5.73	3.76	375	363
746	994	6	0.22	3.02	4.50	2.96	663	640
746	994	6	0.29	2.36	3.51	2.31	884	870
754	1,106	8	0.29	2.32	3.45	2.27	1,420	1,380
754	1,106	8	0.37	1.80	2.69	1.76	1,800	1,770
764	1,226	10	0.35	1.91	2.84	1.87	2,540	2,470
<hr/>								
778	972	5	0.17	3.90	5.81	3.81	412	399
786	1,054	6	0.21	3.20	4.76	3.13	790	763
786	1,054	6	0.29	2.35	3.49	2.29	1,060	1,040
794	1,176	8	0.29	2.32	3.45	2.27	1,700	1,650
814	1,296	12	0.35	1.92	2.86	1.88	3,050	2,960
<hr/>								
828	1,032	5	0.17	4.05	6.04	3.96	487	471
836	1,114	6	0.21	3.15	4.69	3.08	890	859
836	1,114	6	0.28	2.41	3.59	2.36	1,190	1,170
844	1,236	8	0.29	2.32	3.45	2.27	1,890	1,830
<hr/>								
878	1,092	5	0.16	4.25	6.32	4.15	550	532
886	1,184	6	0.20	3.32	4.95	3.25	1,050	1,010
886	1,184	6	0.28	2.42	3.61	2.37	1,410	1,390
904	1,306	10	0.28	2.37	3.54	2.32	2,270	2,200
<hr/>								
928	1,152	5	0.16	4.32	6.44	4.23	623	603
936	1,244	6	0.20	3.32	4.95	3.25	1,170	1,130
936	1,244	6	0.27	2.48	3.70	2.43	1,570	1,540
954	1,366	10	0.28	2.42	3.60	2.36	2,500	2,420
<hr/>								
986	1,214	6	0.16	4.20	6.26	4.11	774	749
986	1,324	6	0.21	3.26	4.85	3.18	1,430	1,380
986	1,324	6	0.28	2.39	3.56	2.34	1,970	1,940
<hr/>								
1,036	1,284	6	0.16	4.21	6.26	4.11	916	887
1,036	1,384	6	0.20	3.37	5.02	3.29	1,580	1,520
1,036	1,384	6	0.27	2.51	3.73	2.45	2,110	2,080
<hr/>								
1,096	1,364	6	0.16	4.28	6.37	4.19	1,090	1,060
1,104	1,456	8	0.20	3.36	5.00	3.28	1,850	1,790
1,104	1,456	8	0.27	2.49	3.71	2.44	2,450	2,140

Note: Please refer to page B-230 for outer ring oil inlet and oil groove dimensions.





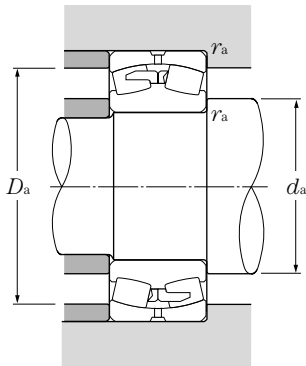
Cylindrical bore

Tapered bore
taper 1:12

d 1120 ~ 1400mm

d	Boundary dimensions			dynamic C _r	Basic load ratings				Limiting speeds		Bearing numbers	
	D	B	r _{s min} ②		static kN	dynamic kgf	static kgf	static kgf	rpm	rpm	cylindrical bore	tapered ① bore
1120	1,460	250	7.5	9,850	26,700	1,000,000	2,720,000	130	200	239/1120	239/1120K	
	1,580	345	9.5	15,600	39,000	1,590,000	4,000,000	120	190	230/1120B	230/1120BK	
	1,580	462	9.5	19,500	52,500	1,990,000	5,350,000	110	160	240/1120B	240/1120BK30	
1180	1,540	272	7.5	11,000	29,800	1,120,000	3,050,000	120	180	239/1180	239/1180K	
1250	1,630	280	7.5	12,100	33,500	1,230,000	3,400,000	110	160	239/1250	239/1250K	
1320	1,720	300	7.5	13,600	38,000	1,390,000	3,900,000	95	150	239/1320	239/1320K	
1400	1,820	315	9.5	15,100	43,000	1,540,000	4,400,000	86	130	239/1400	239/1400K	

① "K" indicates bearings have tapered bore with a taper ratio of 1: 12. ② Smallest allowable dimension for chamfer dimension r.



Equivalent bearing load

dynamic

$$P_r = XF_r + YF_a$$

$\frac{F_a}{F_r} \leq e$		$\frac{F_a}{F_r} > e$	
X	Y	X	Y
1	Y_1	0.67	Y_2

static

$$P_{or} = F_r + Y_0 F_a$$

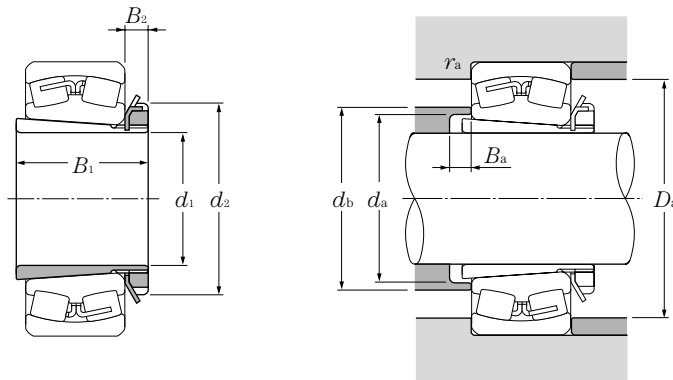
For values of e , Y_1 , Y_2 and Y_0 see the table below.

Abutment and fillet dimensions			Constant	Axial load factors			Mass (approx.)	
mm							kg	
d_a min	D_a max	r_{as} max	e	Y_1	Y_2	Y_0	cylindrical bore	tapered bore
1,156	1,424	6	0.15	4.42	6.58	4.32	1,140	1,100
1,164	1,536	8	0.21	3.29	4.80	3.21	2,160	2,090
1,164	1,536	8	0.27	2.50	3.72	2.44	2,890	2,840
1,216	1,504	6	0.15	4.40	6.55	4.30	1,390	1,340
1,286	1,594	6	0.15	4.42	6.58	4.32	1,600	1,550
1,356	1,684	6	0.16	4.34	6.46	4.24	1,900	1,840
1,444	1,776	8	0.15	4.39	6.54	4.29	2,230	2,160



Note: Please refer to page B-230 for outer ring oil inlet and oil groove dimensions.

(For spherical roller bearings)



d₁ 35 ~ 70mm

	Boundary dimensions mm				Bearing numbers	Abutment and fillet dimensions mm						Mass ^① kg (approx.)
	d ₁	B ₁	d ₂	B ₂		d _a min	d _b max	B _a min	min	D _a max	r _{as} max	
35	36	58	10		22208CK;H 308X	44	50	5		73	1	0.189
	36	58	10		21308CK;H 308X	44	54	5		81.5	1.5	0.189
	46	58	10		22308CK;H2308X	45	52	5		81.5	1.5	0.224
40	39	65	11		22209CK;H 309X	49	57	8		78	1	0.248
	39	65	11		21309CK;H 309X	49	61	5		91.5	1.5	0.248
	50	65	11		22309CK;H2309X	50	58	5		91.5	1.5	0.28
45	42	70	12		22210CK;H 310X	54	63	10		83	1	0.303
	42	70	12		21310CK;H 310X	54	67	5		100	2	0.303
	55	70	12		22310CK;H2310X	56	65	5		100	2	0.362
50	45	75	12		22211EK;H 311X	60	67	11	89.5	91.5	1.5	0.345
	45	75	12		22211BK;H 311X	60	67	11		91.5	1.5	0.345
	45	75	12		21311K ;H 311X	60	73	6		110	2	0.345
	59	75	12		22311BK;H2311X	61	71	6		110	2	0.42
55	47	80	13		22212EK;H 312X	65	72	9	98	101.5	1.5	0.394
	47	80	13		22212BK;H 312X	65	72	9		101.5	1.5	0.394
	47	80	13		21312K ;H 312X	65	79	5		118	2	0.394
	62	80	13		22312BK;H2312X	66	77	5		118	2	0.481
60	50	85	14		22213EK;H 313X	70	78.5	8	107	111.5	1.5	0.458
	50	85	14		22213BK;H 313X	70	78.5	9		111.5	1.5	0.458
	50	85	14		21313K ;H 313X	70	85	5		128	2	0.458
	65	85	14		22313BK;H2313X	72	84	5		128	2	0.557
65	55	98	15		22215EK;H 315X	80	89	12	117.5	121.5	1.5	0.831
	55	98	15		22215BK;H 315X	80	89	12		121.5	1.5	0.831
	55	98	15		21315K ;H 315X	80	97	5		148	2	0.831
	73	98	15		22315BK;H2315X	82	96	5		148	2	1.05
70	59	105	17		22216EK;H 316X	86	94.5	12	125.5	130	2	1.03
	59	105	17		22216BK;H 316X	86	94.5	12		130	2	1.03
	59	105	17		21316K ;H 316X	86	103	5		158	2	1.03
	78	105	17		22316BK;H2316X	87	103	5		158	2	1.28

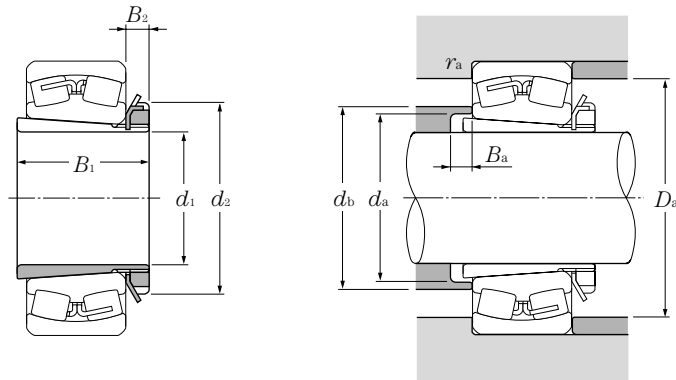
① Indicates adapter mass.

Note: 1. Please refer to page B-232 to B-235 for bearing dimensions, rated loads, allowable rotations, and mass.

2. Please refer to page D-2 to D-10 and D-12 to D-14 for adapter locknut and washer dimensions.

3. Adapter numbers with the suffix "X" signify narrow slit type adapters, and use washers with straight inner tabs.

(For spherical roller bearings)



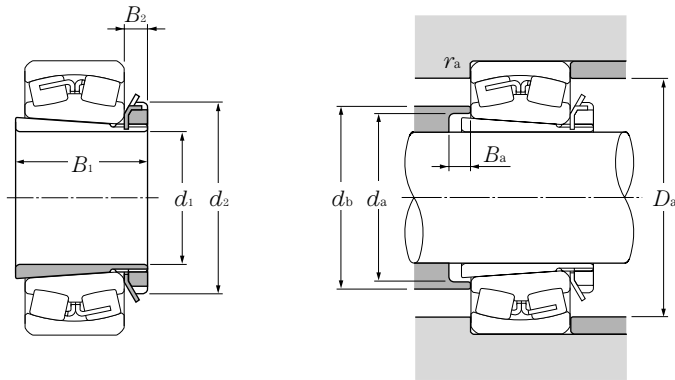
d_1 75 ~ 115mm

	Boundary dimensions mm				Bearing numbers	Abutment and fillet dimensions mm						Mass ^① kg (approx.)
	d_1	B_1	d_2	B_2		d_a min	d_b max	B_a min	min	D_a max	r_{as} max	
75	63	110	18		22217EK;H 317X	91	100.5	12	135	140	2	1.18
	63	110	18		22217BK;H 317X	91	100.5	12		140	2	1.18
	63	110	18		21317K ;H 317X	91	110	6		166	2.5	1.18
	82	110	18		22317BK;H2317X	94	110	6		166	2.5	1.45
80	65	120	18		22218EK;H 318X	96	107.5	10	144	150	2	1.37
	65	120	18		22218BK;H 318X	96	107.5	10		150	2	1.37
	86	120	18		23218BK;H2318X	99	110	18		150	2	1.69
	65	120	18		21318K ;H 318X	96	116	6		176	2.5	1.37
	86	120	18		22318BK;H2318X	99	117	6		176	2.5	1.69
85	68	125	19		22219BK;H 319X	102	117	9		158	2	1.56
	68	125	19		21319K ;H 319X	102	123	7		186	2.5	1.56
	90	125	19		22319BK;H2319X	105	123	7		186	2.5	1.92
90	71	130	20		22220BK;H 320X	107	123	8		168	2	1.69
	97	130	20		23220BK;H2320X	110	122	19		168	2	2.15
	71	130	20		21320K ;H 320X	107	130	7		201	2.5	1.69
	97	130	20		22320BK;H2320X	110	129	7		201	2.5	2.15
100	81	145	21		23122BK;H3122X	117	127	7		170	2	2.25
	77	145	21		22222BK;H 322X	117	137	6		188	2	2.18
	105	145	21		23222BK;H2322X	121	135	17		188	2	2.74
	77	145	21		21322K ;H 322X	117	142	9		226	2.5	2.18
	105	145	21		22322BK;H2322X	121	142	7		226	2.5	2.74
110	72	145	22		23024BK;H3024X	127	136	7		170	2	1.93
	88	155	22		23124BK;H3124X	128	140	7		190	2	2.64
	88	155	22		22224BK;H3124X	128	150	11		203	2	2.64
	112	155	22		23224BK;H2324X	131	147	17		203	2	3.19
	112	155	22		22324BK;H2324X	131	154	7		246	2.5	3.19
115	80	155	23		23026BK;H3026	137	147	8		190	2	2.85
	92	165	23		23126BK;H3126	138	152	8		200	2	3.66
	92	165	23		22226BK;H3126	138	161	8		216	2.5	3.66
	121	165	23		23226BK;H2326	142	160	21		216	2.5	4.6

① Indicates adapter mass.

- Note: 1. Please refer to page B-234 to B-237 for bearing dimensions, rated loads, allowable rotations, and mass.
 2. Please refer to page D-2 to D-10 and D-12 to D-14 for adapter locknut and washer dimensions.
 3. Adapter numbers with the suffix "X" signify narrow slit type adapters, and use washers with straight inner tabs.

(For spherical roller bearings)



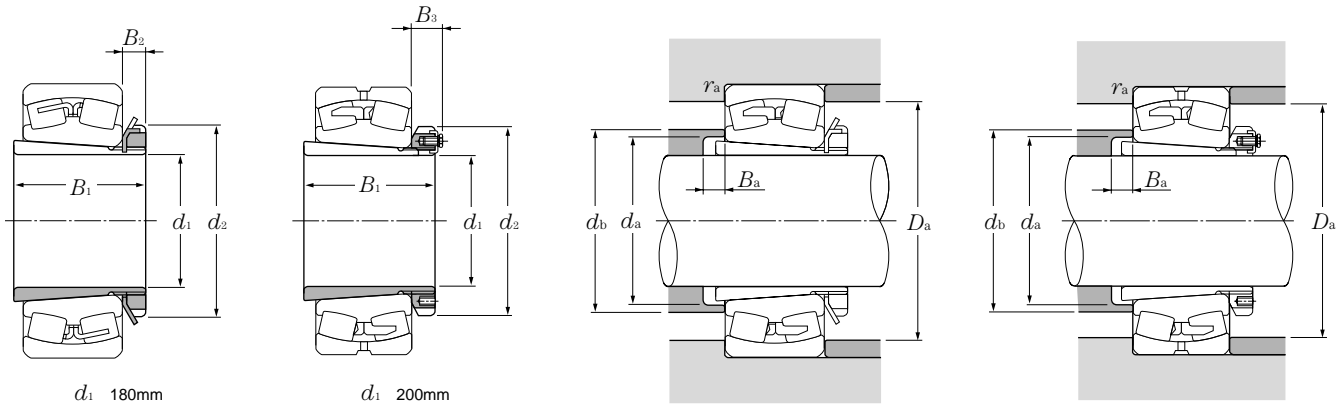
d_1 115 ~ 170mm

Boundary dimensions mm				Bearing numbers	Abutment and fillet dimensions mm					Mass ^① kg (approx.)
d_1	B_1	d_2	B_2		d_a min	d_b max	B_a min	D_a max	r_{as} max	
115	121	165	23	22326BK; H2326	142	167	8	262	3	4.6
125	82	165	24	23028BK; H3028	147	158	8	200	2	3.16
	97	180	24	23128BK; H3128	149	165	8	213	2	4.34
	97	180	24	22228BK; H3128	149	173	8	236	2.5	4.34
	131	180	24	23228BK; H2328	152	172	22	236	2.5	5.55
	131	180	24	22328BK; H2328	152	179	8	282	3	5.55
135	87	180	26	23030BK; H3030	158	170	8	213	2	3.89
	111	195	26	23130BK; H3130	160	178	8	238	2	5.52
	111	195	26	22230BK; H3130	160	188	15	256	2.5	5.52
	139	195	26	23230BK; H2330	163	185	20	256	2.5	6.63
	139	195	26	22330BK; H2330	163	192	8	302	3	6.63
140	93	190	28	23032BK; H3032	168	181	8	228	2	5.21
	119	210	28	23132BK; H3132	170	190	8	258	2	7.67
	119	210	28	22232BK; H3132	170	200	14	276	2.5	7.67
	147	210	28	23232BK; H2332	174	198	18	276	2.5	9.14
	147	210	28	22332BK; H2332	174	205	8	322	3	9.14
150	101	200	29	23034BK; H3034	179	193	8	248	2	5.99
	122	220	29	23134BK; H3134	180	202	8	268	2	8.38
	122	220	29	22234BK; H3134	180	212	10	292	3	8.38
	154	220	29	23234BK; H2334	185	218	18	292	3	10.2
	154	220	29	22334BK; H2334	185	218	8	342	3	10.2
160	109	210	30	23036BK; H3036	189	204	8	268	2	6.83
	131	230	30	23136BK; H3136	191	215	8	286	2.5	9.5
	131	230	30	22236BK; H3136	191	225	18	302	3	9.5
	161	230	30	23236BK; H2336	195	223	22	302	3	11.3
	161	230	30	22336BK; H2336	195	230	8	362	3	11.3
170	112	220	31	23038BK; H3038	199	215	9	278	2	7.45
	141	240	31	23138BK; H3138	202	228	9	306	2.5	10.8
	141	240	31	22238BK; H3138	202	238	21	322	3	10.8
	169	240	31	23238BK; H2338	206	236	21	322	3	12.6
	169	240	31	22338BK; H2338	206	243	9	378	4	12.6

① Indicates adapter mass.

Note: 1. Please refer to page B-236 to B-239 for bearing dimensions, rated loads, allowable rotations, and mass.
2. Please refer to page D-2 to D-10 and D-12 to D-14 for adapter locknut and washer dimensions.

(For spherical roller bearings)



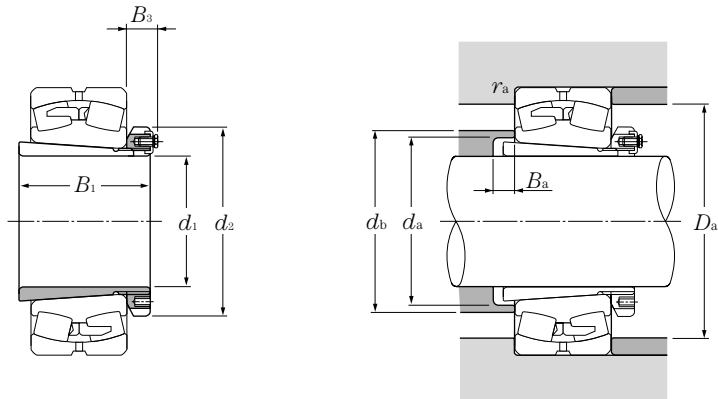
d_1 180 ~ 300mm

	Boundary dimensions mm					Bearing numbers	Abutment and fillet dimensions mm					Mass ^① kg (approx.)
	d_1	B_1	d_2	B_2	B_3		d_a min	d_b max	B_a min	D_a max	r_{as} max	
180	120	240	32			23040BK;H3040	210	227	10	298	2	9.19
	150	250	32			23140BK;H3140	212	240	10	326	2.5	12.1
	150	250	32			22240BK;H3140	212	250	24	342	3	12.1
	176	250	32			23240BK;H2340	216	248	20	342	3	13.9
	176	250	32			22340BK;H2340	216	255	10	398	4	13.9
200	126	260			41	23044BK;H3044	231	250	12	326	2.5	10.2
	158	280			44	23144BK;H3144	233	264	10	352	3	14.7
	158	280			44	22244BK;H3144	233	274	22	382	3	14.7
	183	280			44	23244BK;H2344	236	271	11	382	3	16.7
	183	280			44	22344BK;H2344	236	278	10	438	4	16.7
220	133	290			46	23048BK;H3048	251	272	11	346	2.5	13.2
	169	300			46	23148BK;H3148	254	288	11	382	3	17.3
	169	300			46	22248BK;H3148	254	298	19	422	3	17.3
	196	300			46	23248BK;H2348	257	295	6	422	3	19.7
	196	300			46	22348BK;H2348	257	302	11	478	4	19.7
240	145	310			46	23052BK;H3052	272	295	13	382	3	15.1
	187	330			49	23152BK;H3152	276	313	11	422	3	22
	187	330			49	22252BK;H3152	276	323	25	458	4	22
	208	330			49	23252BK;H2352	278	319	2	458	4	24.2
	208	330			49	22352BK;H2352	278	326	11	512	5	24.2
260	152	330			50	23056BK;H3056	292	317	12	402	3	17.7
	192	350			51	23156BK;H3156	296	336	12	438	4	24.5
	192	350			51	22256BK;H3156	296	346	28	478	4	24.5
	221	350			51	23256BK;H2356	299	343	11	478	4	27.8
	221	350			51	22356BK;H2356	299	350	12	552	5	27.8
280	168	360			54	23060BK;H3060	313	340	12	442	3	22.8
	208	380			53	23160BK;H3160	317	361	12	478	4	30.2
	208	380			53	22260BK;H3160	317	371	32	518	4	30.2
	240	380			53	23260BK;H3260	321	368	12	518	4	34.1
300	171	380			55	23064BK;H3064	334	363	13	462	3	24.6
	226	400			56	23164BK;H3164	339	384	13	518	4	34.9
	226	400			56	22264BK;H3164	339	394	39	558	4	34.9

① Indicates adapter mass.

Note: 1. Please refer to page B-238 to B-243 for bearing dimensions, rated loads, allowable rotations, and mass.
2. Please refer to page D-2 to D-10 and D-12 to D-14 for adapter locknut and washer dimensions.

(For spherical roller bearings)



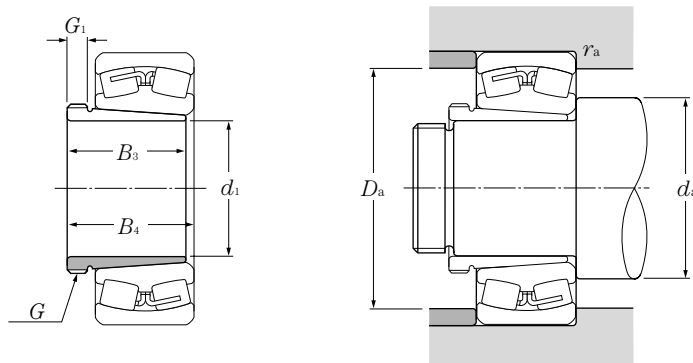
d_1 300 ~ 470mm

	Boundary dimensions mm				Bearing numbers	Abutment and fillet dimensions mm					Mass ^① kg (approx.)
	d_1	B_1	d_2	B_2		d_a min	d_b max	B_a min	D_a max	r_{as} max	
300	258	400	400	56	23264BK;H3264	343	393	13	558	4	39.3
320	187	400	400	58	23068BK;H3068	355	386	14	498	4	28.7
	254	440	440	72	23168BK;H3168	360	409	14	558	4	49.5
	288	440	440	72	23268BK;H3268	364	421	14	592	5	54.6
340	188	420	420	58	23072BK;H3072	375	408	14	518	4	30.5
	259	460	460	75	23172BK;H3172	380	432	14	578	4	54.2
	299	460	460	75	23272BK;H3272	385	442	14	622	5	60.2
360	193	450	450	62	23076BK;H3076	396	431	15	538	4	35.8
	264	490	490	77	23176BK;H3176	401	456	15	598	4	61.7
	310	490	490	77	23276BK;H3276	405	465	15	652	5	69.6
380	210	470	470	66	23080BK;H3080	417	454	15	578	4	41.3
	272	520	520	82	23180BK;H3180	421	479	15	622	5	70.6
	328	520	520	82	23280BK;H3280	427	488	15	692	5	81
400	212	490	490	66	23084BK;H3084	437	476	16	598	4	43.7
	304	540	540	90	23184BK;H3184	443	504	16	672	5	84.2
	352	540	540	90	23284BK;H3284	448	515	16	724	6	94
410	228	520	520	77	23088BK;H3088	458	499	17	622	5	65.2
	307	560	560	90	23188BK;H3188	464	527	17	692	5	104
	361	560	560	90	23288BK;H3288	469	539	17	754	6	118
430	234	540	540	77	23092BK;H3092	478	521	17	652	5	69.5
	326	580	580	95	23192BK;H3192	485	551	17	724	6	116
	382	580	580	95	23292BK;H3292	491	563	17	794	6	132
450	237	560	560	77	23096BK;H3096	499	544	18	672	5	73.3
	335	620	620	95	23196BK;H3196	505	575	18	754	6	133
	397	620	620	95	23296BK;H3296	512	590	18	834	6	152
470	247	580	580	85	230/500BK;H30/500	519	566	18	692	5	81.8
	356	630	630	100	231/500BK;H31/500	527	600	18	794	6	143
	428	630	630	100	232/500BK;H32/500	534	618	18	884	6	166

① Indicates adapter mass.

Note: 1. Please refer to page B-242 to B-247 for bearing dimensions, rated loads, allowable rotations, and mass.
2. Please refer to page D-2 to D-10 and D-12 to D-14 for adapter locknut and washer dimensions.

(For spherical roller bearings)



d_1 35 ~ 70mm

d_1	Boundary dimensions				Bearing numbers	Abutment and fillet dimensions					Mass ^③ kg (approx.)	Appro- priate nut no. ^④
	mm					mm						
	$G^{\text{①}}$	B_3	G_1	$B_4^{\text{②}}$		d_a		D_a		r_{as}		
						min	max	min	max	max		
35	M45 x 1.5	29	6	32	22208CK; AH 308	47		73	1	0.09	AN09	
	M45 x 1.5	29	6	32	21308CK; AH 308	48.5		81.5	1.5	0.09	AN09	
	M45 x 1.5	40	7	43	22308CK; AH 2308	48.5		81.5	1.5	0.128	AN09	
40	M50 x 1.5	31	6	34	22209CK; AH 309	52		78	1	0.109	AN10	
	M50 x 1.5	31	6	34	21309CK; AH 309	53.5		91.5	1.5	0.109	AN10	
	M50 x 1.5	44	7	47	22309CK; AH 2309	53.5		91.5	1.5	0.164	AN10	
45	M55 x 2	35	7	38	22210CK; AHX 310	57		83	1	0.137	AN11	
	M55 x 2	35	7	38	21310CK; AHX 310	60		100	2	0.137	AN11	
	M55 x 2	50	9	53	22310CK; AHX 2310	60		100	2	0.209	AN11	
50	M60 x 2	37	7	40	22211EK; AHX 311	63.5	67	89.5	91.5	1.5	0.161	AN12
	M60 x 2	37	7	40	22211BK; AHX 311	63.5		91.5	1.5	0.161	AN12	
	M60 x 2	37	7	40	21311K; AHX 311	65		110	2	0.161	AN12	
	M60 x 2	54	10	57	22311BK; AHX 2311	65		110	2	0.253	AN12	
55	M65 x 2	40	8	43	22212EK; AHX 312	68.5	72	98	101.5	1.5	0.189	AN13
	M65 x 2	40	8	43	22212BK; AHX 312	68.5		101.5	1.5	0.189	AN13	
	M65 x 2	40	8	43	21312K; AHX 312	72		118	2	0.189	AN13	
	M65 x 2	58	11	61	22312BK; AHX 2312	72		118	2	0.297	AN13	
60	M75 x 2	42	8	45	22213EK; AH 313	73.5	78.5	107	111.5	1.5	0.253	AN15
	M75 x 2	42	8	45	22213BK; AH 313	73.5		111.5	1.5	0.253	AN15	
	M75 x 2	42	8	45	21313K; AH 313	77		128	2	0.253	AN15	
	M75 x 2	61	12	64	22313BK; AH 2313	77		128	2	0.395	AN15	
65	M80 x 2	43	8	47	22214EK; AH 314	78.5	83.5	112.5	116.5	1.5	0.28	AN16
	M80 x 2	43	8	47	22214BK; AH 314	78.5		116.5	1.5	0.28	AN16	
	M80 x 2	43	8	47	21314K; AH 314	82		138	2	0.28	AN16	
	M80 x 2	64	12	68	22314BK; AHX 2314	82		138	2	0.466	AN16	
70	M85 x 2	45	8	49	22215EK; AH 315	83.5	89	117.5	121.5	1.5	0.313	AN17
	M85 x 2	45	8	49	22215BK; AH 315	83.5		121.5	1.5	0.313	AN17	
	M85 x 2	45	8	49	21315K; AH 315	87		148	2	0.313	AN17	
	M85 x 2	68	12	72	22315BK; AHX 2315	87		148	2	0.534	AN17	

① Standard thread shapes and dimensions are as per JIS B0207 (metric thread).

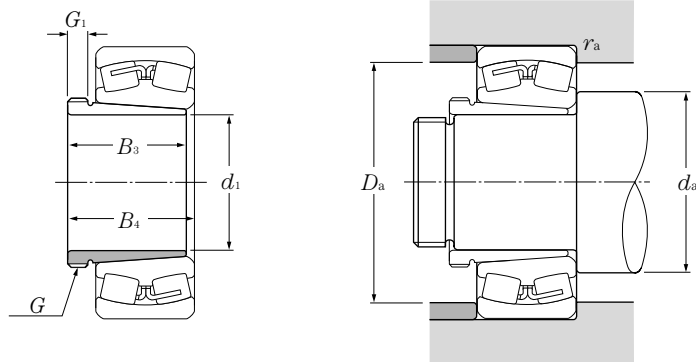
② Indicates reference dimensions before attachment of withdrawal sleeve.

③ Indicates withdrawal sleeve mass.

④ Indicates number of nut to be used at time of disassembly. See pages D-2 to D-10 for nut dimensions.

Note: 1. Please refer to page B-232, B-235 for bearing dimensions, rated loads, allowable rotations, and mass.

(For spherical roller bearings)



d_1 75 ~ 115mm

	Boundary dimensions					Bearing numbers	Abutment and fillet dimensions					Mass ^③ kg (approx.)	Appro- priate nut no. ^④
	mm						mm						
d_1	$G^{\text{①}}$	B_3	G_1	$B_4^{\text{②}}$		d_a min	d_a max	D_a min	D_a max	r_{as} max			
75	M90 × 2	48	8	52	22216EK ;AH 316	90	94.5	125.5	130	2	0.365	AN18	
	M90 × 2	48	8	52	22216BK ;AH 316	90			130	2	0.365	AN18	
	M90 × 2	48	8	52	21316K ;AH 316	92			158	2	0.365	AN18	
	M90 × 2	71	12	75	22316BK ;AHX 2316	92			158	2	0.597	AN18	
80	M95 × 2	52	9	56	22217EK ;AHX 317	95	100.5	135	140	2	0.429	AN19	
	M95 × 2	52	9	56	22217BK ;AHX 317	95			140	2	0.429	AN19	
	M95 × 2	52	9	56	21317K ;AHX 317	99			166	2.5	0.429	AN19	
	M95 × 2	74	13	78	22317BK ;AHX 2317	99			166	2.5	0.67	AN19	
85	M100 × 2	53	9	57	22218EK ;AHX 318	100	107.5	144	150	2	0.461	AN20	
	M100 × 2	53	9	57	22218BK ;AHX 318	100			150	2	0.461	AN20	
	M100 × 2	63	10	67	23218BK ;AHX 3218	100			150	2	0.576	AN20	
	M100 × 2	53	9	57	21318K ;AHX 318	104			176	2.5	0.461	AN20	
	M100 × 2	79	14	83	22318BK ;AHX 2318	104			176	2.5	0.779	AN20	
90	M105 × 2	57	10	61	22219BK ;AHX 319	107			158	2	0.532	AN21	
	M105 × 2	57	10	61	21319K ;AHX 319	109			186	2.5	0.532	AN21	
	M105 × 2	85	16	89	22319BK ;AHX 2319	109			186	2.5	0.886	AN21	
95	M110 × 2	59	10	63	22220BK ;AHX 320	112			168	2	0.582	AN22	
	M110 × 2	73	11	77	23220BK ;AHX 3220	112			168	2	0.767	AN22	
	M110 × 2	59	10	63	21320K ;AHX 320	114			201	2.5	0.582	AN22	
	M110 × 2	90	16	94	22320BK ;AHX 2320	114			201	2.5	0.998	AN22	
105	M120 × 2	68	11	72	23122BK ;AHX 3122	120			170	2	0.76	AN24	
	M115 × 2	82	13	91	24122BK30 ;AH 24122	120			170	2	0.73	AN23	
	M120 × 2	68	11	72	22222BK ;AHX 3122	122			188	2	0.76	AN24	
	M125 × 2	82	11	86	23222BK ;AHX 3222	122			188	2	1.04	AN25	
	M120 × 2	63	12	67	21322K ;AHX 322	124			226	2.5	0.663	AN24	
	M125 × 2	98	16	102	22322BK ;AHX 2322	124			226	2.5	1.35	AN25	
115	M130 × 2	60	13	64	23024BK ;AHX 3024	130			170	2	0.75	AN26	
	M125 × 2	73	13	82	24024BK30 ;AH 24024	130			170	2	0.65	AN25	
	M125 × 2	73	13	82	24024CK30 ;AH 24024	130			170	2	0.65	AN25	
	M130 × 2	75	12	79	23124BK ;AHX 3124	130			190	2	0.95	AN26	

① Standard thread shapes and dimensions are as per JIS B0207 (metric thread).

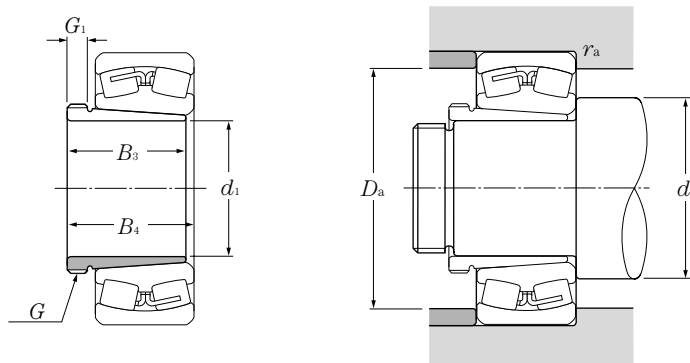
② Indicates reference dimensions before attachment of withdrawal sleeve.

③ Indicates withdrawal sleeve mass.

④ Indicates number of nut to be used at time of disassembly. See pages D-2 to D-10 for nut dimensions.

Note: 1. Please refer to page B-234, B-237 for bearing dimensions, rated loads, allowable rotations, and mass.

(For spherical roller bearings)



d_1 115 ~ 150mm

d_1	Boundary dimensions				Bearing numbers	Abutment and fillet dimensions			Mass ^③ kg (approx.)	Appro- priate nut no. ^④
	$G^{\text{①}}$	B_3	G_1	$B_4^{\text{②}}$		d_a min	D_a max	r_{as} max		
115	M130 × 2	93	13	102	24124BK30 ;AH 24124	130	190	2	1	AN26
	M130 × 2	75	12	79	22224BK ;AHX 3124	132	203	2	0.95	AN26
	M135 × 2	90	13	94	23224BK ;AHX 3224	132	203	2	1.3	AN27
	M135 × 2	105	17	109	22324BK ;AHX 2324	134	246	2.5	1.6	AN27
125	M140 × 2	67	14	71	23026BK ;AHX 3026	140	190	2	0.93	AN28
	M135 × 2	83	14	93	24026BK30 ;AH 24026	140	190	2	0.84	AN27
	M135 × 2	83	14	93	24026CK30 ;AH 24026	140	190	2	0.84	AN27
	M140 × 2	78	12	82	23126BK ;AHX 3126	140	200	2	1.08	AN28
	M140 × 2	94	14	104	24126BK30 ;AH 24126	140	200	2	1.11	AN28
	M140 × 2	78	12	82	22226BK ;AHX 3126	144	216	2.5	1.08	AN28
	M145 × 2	98	15	102	23226BK ;AHX 3226	144	216	2.5	1.58	AN29
	M145 × 2	115	19	119	22326BK ;AHX 2326	148	262	3	1.97	AN29
135	M150 × 2	68	14	73	23028BK ;AHX 3028	150	200	2	1.01	AN30
	M145 × 2	83	14	93	24028BK30 ;AH 24028	150	200	2	0.91	AN29
	M145 × 2	83	14	93	24028CK30 ;AH 24028	150	200	2	0.91	AN29
	M150 × 2	83	14	88	23128BK ;AHX 3128	152	213	2	1.28	AN30
	M150 × 2	99	14	109	24128BK30 ;AH 24128	152	213	2	1.25	AN30
	M150 × 2	83	14	88	22228BK ;AHX 3128	154	236	2.5	1.28	AN30
	M155 × 3	104	15	109	23228BK ;AHX 3228	154	236	2.5	1.84	AN31
M155 × 3	125	20	130	22328BK ;AHX 2328	158	282	3	2.33	AN31	
145	M160 × 3	72	15	77	23030BK ;AHX 3030	162	213	2	1.15	AN32
	M155 × 3	90	15	101	24030BK30 ;AH 24030	162	213	2	1.04	AN31
	M155 × 3	90	15	101	24030CK30 ;AH 24030	162	213	2	1.04	AN31
	M165 × 3	96	15	101	23130BK ;AHX 3130	162	238	2	1.79	AN33
	M160 × 3	115	15	126	24130BK30 ;AH 24130	162	238	2	1.56	AN32
	M165 × 3	96	15	101	22230BK ;AHX 3130	164	256	2.5	1.79	AN33
	M165 × 3	114	17	119	23230BK ;AHX 3230	164	256	2.5	2.22	AN33
	M165 × 3	135	24	140	22330BK ;AHX 2330	168	302	3	2.82	AN33
150	M170 × 3	77	16	82	23032BK ;AH 3032	172	228	2	2.06	AN34
	M170 × 3	95	15	106	24032BK30 ;AH 24032	172	228	2	2.33	AN34
	M170 × 3	95	15	106	24032CK30 ;AH 24032	172	228	2	2.33	AN34
	M180 × 3	103	16	108	23132BK ;AH 3132	172	258	2	3.21	AN36

① Standard thread shapes and dimensions are as per JIS B0207 (metric thread).

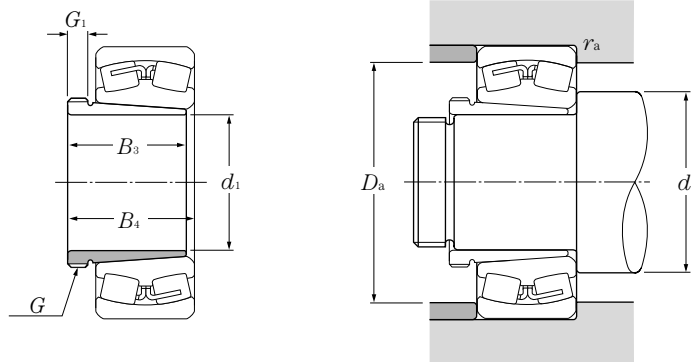
② Indicates reference dimensions before attachment of withdrawal sleeve.

③ Indicates withdrawal sleeve mass.

④ Indicates number of nut to be used at time of disassembly. See pages D-2 to D-10 for nut dimensions.

Note: 1. Please refer to page B-236, B-239 for bearing dimensions, rated loads, allowable rotations, and mass.

(For spherical roller bearings)



d_1 150 ~ 190mm

	Boundary dimensions				Bearing numbers	Abutment and fillet dimensions			Mass ^③ kg (approx.)	Appro- priate nut no. ^④
	mm					d_a min	D_a max	r_{as} max		
d_1	$G^{\text{①}}$	B_3	G_1	$B_4^{\text{②}}$						
150	M170 × 3	124	15	135	24132BK30 ;AH 24132	172	258	2	3	AN34
	M180 × 3	103	16	108	22232BK ;AH 3132	174	276	2.5	3.21	AN36
	M180 × 3	124	20	130	23232BK ;AH 3232	174	276	2.5	4.08	AN36
	M180 × 3	140	24	146	22332BK ;AH 2332	178	322	3	4.72	AN36
160	M180 × 3	85	17	90	23034BK ;AH 3034	182	248	2	2.43	AN36
	M180 × 3	106	16	117	24034BK30 ;AH 24034	182	248	2	2.8	AN36
	M180 × 3	106	16	117	24034CK30 ;AH 24034	182	248	2	2.8	AN36
	M190 × 3	104	16	109	23134BK ;AH 3134	182	268	2	3.4	AN38
	M180 × 3	125	16	136	24134BK30 ;AH 24134	182	268	2	3.21	AN36
	M190 × 3	104	16	109	22234BK ;AH 3134	188	292	3	3.4	AN38
	M190 × 3	134	24	140	23234BK ;AH 3234	188	292	3	4.8	AN38
	M190 × 3	146	24	152	22334BK ;AH 2334	188	342	3	5.25	AN38
170	M190 × 3	92	17	98	23036BK ;AH 3036	192	268	2	2.81	AN38
	M190 × 3	116	16	127	24036BK30 ;AH 24036	192	268	2	3.1	AN38
	M190 × 3	116	16	127	24036CK30 ;AH 24036	192	268	2	3.1	AN38
	M200 × 3	116	19	122	23136BK ;AH 3136	194	286	2.5	4.22	AN40
	M190 × 3	134	16	145	24136BK30 ;AH 24136	194	286	2.5	3.68	AN38
	M200 × 3	105	17	110	22236BK ;AH 2236	198	302	3	3.73	AN40
	M200 × 3	140	24	146	23236BK ;AH 3236	198	302	3	5.32	AN40
	M200 × 3	154	26	160	22336BK ;AH 2336	198	362	3	5.83	AN40
180	Tr205 × 4	96	18	102	23038BK ;AH 3038	202	278	2	3.32	HNL41
	M200 × 3	118	18	131	24038BK30 ;AH 24038	202	278	2	3.5	AN40
	M200 × 3	118	18	131	24038CK30 ;AH 24038	202	278	2	3.5	AN40
	Tr210 × 4	125	20	131	23138BK ;AH 3138	204	306	2.5	4.89	HN42
	M200 × 3	146	18	159	24138BK30 ;AH 24138	204	306	2.5	4.28	AN40
	Tr210 × 4	112	18	117	22238BK ;AH 2238	208	322	3	4.25	HN42
	Tr210 × 4	145	25	152	23238BK ;AH 3238	208	322	3	5.9	HN42
	Tr210 × 4	160	26	167	22338BK ;AH 2338	212	378	4	6.63	HN42
190	Tr215 × 4	102	19	108	23040BK ;AH 3040	212	298	2	3.8	HNL43
	Tr210 × 4	127	18	140	24040BK30 ;AH 24040	212	298	2	3.93	HN42
	Tr220 × 4	134	21	140	23140BK ;AH 3140	214	326	2.5	5.49	HN44
	Tr210 × 4	158	18	171	24140BK30 ;AH 24140	214	326	2.5	5.1	HN42

① Standard thread shapes and dimensions are as per JIS B0207 (metric thread).

② Indicates reference dimensions before attachment of withdrawal sleeve.

③ Indicates withdrawal sleeve mass.

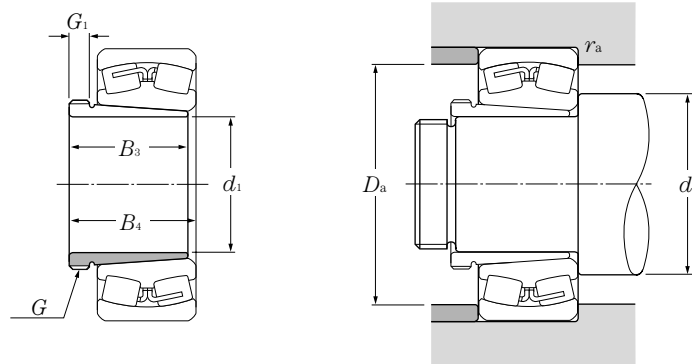
④ Indicates number of nut to be used at time of disassembly. See pages D-2 to D-10 for nut dimensions.

Note: 1. Please refer to page B-238, B-241 for bearing dimensions, rated loads, allowable rotations, and mass.

Withdrawal Sleeves

NTN

(For spherical roller bearings)



d_1 190 ~ 260mm

d_1	Boundary dimensions				Bearing numbers	Abutment and fillet dimensions			Mass ^③ kg (approx.)	Appropriate nut no. ^④
	$G^{\text{①}}$	B_3	G_1	$B_4^{\text{②}}$		d_a min	D_a max	r_{as} max		
190	Tr220 × 4	118	19	123	22240BK ;AH 2240	218	342	3	4.68	HN44
	Tr220 × 4	153	25	160	23240BK ;AH 3240	218	342	3	6.68	HN44
	Tr220 × 4	170	30	177	22340BK ;AH 2340	222	398	4	7.54	HN44
200	Tr235 × 4	111	20	117	23044BK ;AH 3044	234	326	2.5	7.4	HNL47
	Tr230 × 4	138	20	152	24044BK30 ;AH 24044H	234	326	2.5	8.25	HN46
	Tr240 × 4	145	23	151	23144BK ;AH 3144	238	352	3	10.4	HN48
	Tr230 × 4	170	20	184	24144BK30 ;AH 24144H	238	352	3	10.2	HN46
	Tr240 × 4	130	20	136	22244BK ;AH 2244	238	382	3	9.1	HN48
	Tr240 × 4	181	30	189	23244BK ;AH 2344	238	382	3	13.5	HN48
	Tr240 × 4	181	30	189	22344BK ;AH 2344	242	438	4	13.5	HN48
220	Tr260 × 4	116	21	123	23048BK ;AH 3048	254	346	2.5	8.75	HNL52
	Tr250 × 4	138	20	153	24048BK30 ;AH 24048H	254	346	2.5	8.98	HN50
	Tr260 × 4	154	25	161	23148BK ;AH 3148	258	382	3	12	HN52
	Tr260 × 4	180	20	195	24148BK30 ;AH 24148H	258	382	3	12.5	HN52
	Tr260 × 4	144	21	150	22248BK ;AH 2248	258	422	3	11.1	HN52
	Tr260 × 4	189	30	197	23248BK ;AH 2348	258	422	3	15.5	HN52
	Tr260 × 4	189	30	197	22348BK ;AH 2348	262	478	4	15.5	HN52
240	Tr280 × 4	128	23	135	23052BK ;AH 3052	278	382	3	10.7	HNL56
	Tr270 × 4	162	22	178	24052BK30 ;AH 24052	278	382	3	11.8	HN54
	Tr290 × 4	172	26	179	23152BK ;AH 3152	278	422	3	16.2	HN58
	Tr280 × 4	202	22	218	24152BK30 ;AH 24152H	278	422	3	15.4	HN56
	Tr290 × 4	155	23	161	22252BK ;AH 2252	282	458	4	14	HN58
	Tr290 × 4	205	30	213	23252BK ;AH 2352	282	458	4	19.6	HN58
	Tr290 × 4	205	30	213	22352BK ;AH 2352	288	512	5	19.6	HN58
260	Tr300 × 4	131	24	139	23056BK ;AH3056	298	402	3	12	HNL60
	Tr290 × 4	162	22	179	24056BK30 ;AH24056H	298	402	3	12.8	HN58
	Tr310 × 5	175	28	183	23156BK ;AH3156	302	438	4	17.5	HN62
	Tr300 × 4	202	22	219	24156BK30 ;AH24156H	302	438	4	16.3	HN60
	Tr310 × 5	155	24	163	22256BK ;AH2256	302	478	4	15.2	HN62
	Tr310 × 5	212	30	220	23256BK ;AH2356	302	478	4	21.6	HN62
	Tr310 × 5	212	30	220	22356BK ;AH2356	308	552	5	21.6	HN62

① Standard thread shapes and dimensions are as per JIS B0207 (metric thread).

② Indicates reference dimensions before attachment of withdrawal sleeve.

③ Indicates withdrawal sleeve mass.

④ Indicates number of nut to be used at time of disassembly. See pages D-2 to D-10 for nut dimensions.

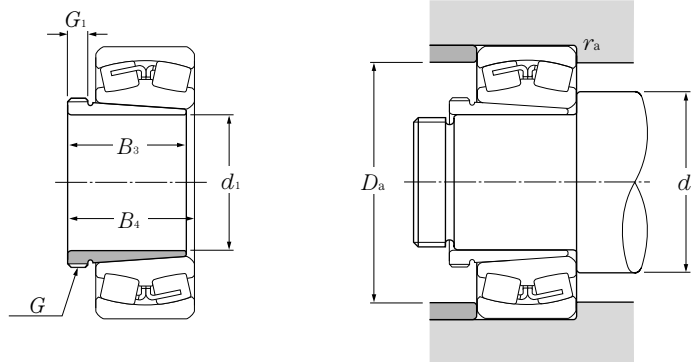
Note: 1. Please refer to page B-240, B-243 for bearing dimensions, rated loads, allowable rotations, and mass.

2. Withdrawal sleeve numbers appended with the suffix "H" signify high pressure oil (hydraulic) design. (See page B-231)

Withdrawal Sleeves

NTN

(For spherical roller bearings)



d_1 280 ~ 400mm

Boundary dimensions					Bearing numbers	Abutment and fillet dimensions			Mass ^③ kg (approx.)	Appro- priate nut no. ^④
mm						d_a min	D_a max	r_{as} max		
d_1	$G^{\text{①}}$	B_3	G_1	$B_4^{\text{②}}$						
280	Tr320 × 5	145	26	153	23060BK ;AH 3060	318	442	3	14.4	HNL64
	Tr310 × 5	184	24	202	24060BK30 ;AH 24060H	318	442	3	15.5	HN62
	Tr330 × 5	192	30	200	23160BK ;AH 3160	322	478	4	20.8	HN66
	Tr320 × 5	224	24	242	24160BK30 ;AH 24160H	322	478	4	19.5	HN64
	Tr330 × 5	170	26	178	22260B ;AH 2260	322	518	4	18.1	HN66
	Tr330 × 5	228	34	236	23260BK ;AH 3260	322	518	4	26	HN66
300	Tr345 × 5	149	27	157	23064BK ;AH 3064	338	462	3	16	HNL69
	Tr330 × 5	184	24	202	24064BK30 ;AH 24064H	338	462	3	16.6	HN66
	Tr350 × 5	209	31	217	23164BK ;AH 3164	342	518	4	24.5	HN70
	Tr340 × 5	242	24	260	24164BK30 ;AH 24164H	342	518	4	21.4	HN68
	Tr350 × 5	180	27	190	22264BK ;AH 2264	342	558	4	20.2	HN70
	Tr350 × 5	246	36	254	23264BK ;AH 3264	342	558	4	30.6	HN70
320	Tr365 × 5	162	28	171	23068BK ;AH 3068	362	498	4	19.5	HN73
	Tr360 × 5	206	26	225	24068BK30 ;AH 24068H	362	498	4	21.7	HNL72
	Tr370 × 5	225	33	234	23168BK ;AH 3168	362	558	4	29	HN74
	Tr360 × 5	269	26	288	24168BK30 ;AH 24168H	362	558	4	27.1	HN72
340	Tr385 × 5	167	30	176	23072BK ;AH 3072	382	518	4	21	HNL77
	Tr380 × 5	206	26	226	24072BK30 ;AH 24072H	382	518	4	22.7	HNL76
	Tr400 × 5	229	35	238	23172BK ;AH 3172	382	578	4	33	HN80
	Tr380 × 5	269	26	289	24172BK30 ;AH 24172H	382	578	4	29.6	HN76
360	Tr410 × 5	170	31	180	23076BK ;AH 3076	402	538	4	23.2	HNL82
	Tr400 × 5	208	28	228	24076BK30 ;AH 24076H	402	538	4	23.7	HNL80
	Tr420 × 5	232	36	242	23176BK ;AH 3176	402	598	4	35.7	HN84
	Tr400 × 5	271	28	291	24176BK30 ;AH 24176H	402	598	4	31.3	HN80
380	Tr430 × 5	183	33	193	23080BK ;AH 3080	422	578	4	27.3	HNL86
	Tr420 × 5	228	28	248	24080BK30 ;AH 24080H	422	578	4	27.1	HNL84
	Tr440 × 5	240	38	250	23180BK ;AH 3180	428	622	5	39.5	HN88
	Tr420 × 5	278	28	298	24180BK30 ;AH 24180H	428	622	5	34.4	HN84
400	Tr450 × 5	186	34	196	23084BK ;AH 3084	442	598	4	29	HNL90
	Tr440 × 5	230	30	252	24084BK30 ;AH 24084H	442	598	4	29	HNL88

① Standard thread shapes and dimensions are as per JIS B0207 (metric thread).

② Indicates reference dimensions before attachment of withdrawal sleeve.

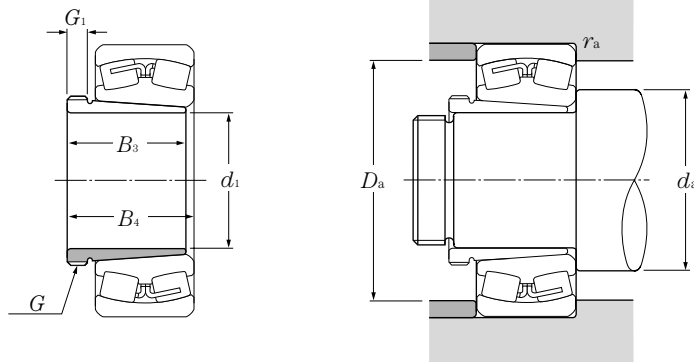
③ Indicates withdrawal sleeve mass.

④ Indicates number of nut to be used at time of disassembly. See pages D-2 to D-10 for nut dimensions.

Note: 1. Please refer to page B-242, B-245 for bearing dimensions, rated loads, allowable rotations, and mass.

2. Withdrawal sleeve numbers appended with the suffix "H" signify high pressure oil (hydraulic) design. (See page B-231)

(For spherical roller bearings)

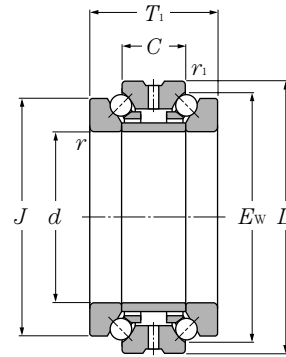


d_1 400 ~ 480mm

d_1	Boundary dimensions				Bearing numbers	Abutment and fillet dimensions			Mass ^③ kg (approx.)	Appro- priate nut no. ^④
	mm					d_a min	D_a max	r_{as} max		
	$G^{\text{①}}$	B_3	G_1	$B_4^{\text{②}}$						
400	Tr460 × 5	266	40	276	23184BK ; AH 3184	448	672	5	46.5	HN92
	Tr440 × 5	310	30	332	24184BK30 ; AH 24184H	448	672	5	40.3	HN88
420	Tr470 × 5	194	35	205	23088BK ; AHX 3088	468	622	5	32	HNL94
	Tr460 × 5	242	30	264	24088BK30 ; AH 24088H	468	622	5	31.9	HNL92
	Tr480 × 5	270	42	281	23188BK ; AHX 3188	468	692	5	49.8	HN96
440	Tr460 × 5	310	30	332	24188BK30 ; AH 24188H	468	692	5	42.3	HN92
	Tr490 × 5	202	37	213	23092BK ; AHX 3092	488	652	5	35.2	HNL98
	Tr480 × 5	250	32	273	24092BK30 ; AH 24092H	488	652	5	34.7	HNL96
	Tr510 × 6	285	43	296	23192BK ; AHX 3192	496	724	6	57.9	HN102
	Tr480 × 5	332	32	355	24192BK30 ; AH 24192H	496	724	6	47.6	HN96
460	Tr520 × 6	205	38	217	23096BK ; AHX 3096	508	672	5	39.2	HNL104
	Tr500 × 5	250	32	273	24096BK30 ; AH 24096H	508	672	5	36.6	HNL100
	Tr530 × 6	295	45	307	23196BK ; AHX 3196	516	754	6	63.1	HN106
	Tr500 × 5	340	32	363	24196BK30 ; AH 24196H	516	754	6	52.6	HN100
480	Tr540 × 6	209	40	221	230/500BK ; AHX 30/500	528	692	5	42.5	HNL108
	Tr530 × 6	253	35	276	240/500BK30 ; AH 240/500H	528	692	5	43.9	HNL106
	Tr550 × 6	313	47	325	231/500BK ; AHX 31/500	536	794	6	70.9	HN110
	Tr530 × 6	360	35	383	241/500BK30 ; AH 241/500H	536	794	6	59	HN106

① Standard thread shapes and dimensions are as per JIS B0207 (metric thread).
 ② Indicates reference dimensions before attachment of withdrawal sleeve.
 ③ Indicates withdrawal sleeve mass.
 ④ Indicates number of nut to be used at time of disassembly. See pages D-2 to D-10 for nut dimensions.
 Note: 1. Please refer to page B-244, B-247 for bearing dimensions, rated loads, allowable rotations, and mass.
 2. Withdrawal sleeve numbers appended with the suffix "H" signify high pressure oil (hydraulic) design. (See page B-231)
 B-263

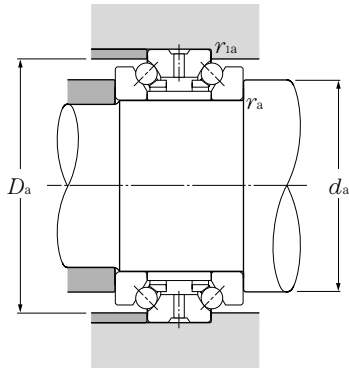
Double Row Angular Contact Thrust Ball Bearings



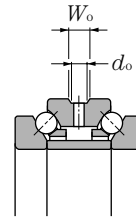
d 25 ~ 120mm

d		Boundary dimensions					Basic load ratings				Limiting speeds		Bearing numbers	
		mm					dynamic	static	dynamic	static	rpm		small dia. type	large dia. type
small dia. type	large dia. type	D	T ₁	C	r _{s min} ①	r _{1s min} ①	C _a	C _{oa}	C _a	C _{oa}	grease	oil		
25	27	47	28	14	0.6	0.3	13.2	28.3	1,350	2,890	7,600	10,000	562005	562005M
30	32	55	32	16	1	0.6	14.0	32.5	1,420	3,350	6,600	8,800	562006	562006M
35	37	62	34	17	1	0.6	19.7	48.5	2,010	4,950	6,000	8,100	562007	562007M
40	42	68	36	18	1	0.6	23.8	58.5	2,430	5,950	5,600	7,500	562008	562008M
45	47	75	38	19	1	0.6	26.0	69.0	2,650	7,000	5,200	6,900	562009	562009M
50	52	80	38	19	1	0.6	26.8	74.0	2,730	7,550	5,000	6,700	562010	562010M
55	57	90	44	22	1.1	0.6	37.0	99.0	3,800	10,100	4,400	5,900	562011	562011M
60	62	95	44	22	1.1	0.6	37.5	103	3,850	10,500	4,300	5,700	562012	562012M
65	67	100	44	22	1.1	0.6	39.0	111	3,950	11,300	4,200	5,600	562013	562013M
70	73	110	48	24	1.1	0.6	47.5	140	4,850	14,300	3,800	5,100	562014	562014M
75	78	115	48	24	1.1	0.6	49.0	150	5,000	15,300	3,700	4,900	562015	562015M
80	83	125	54	27	1.1	0.6	57.5	178	5,850	18,200	3,300	4,500	562016	562016M
85	88	130	54	27	1.1	0.6	58.0	184	5,950	18,800	3,300	4,400	562017	562017M
90	93	140	60	30	1.5	1	67.5	216	6,850	22,000	3,000	4,000	562018	562018M
95	98	145	60	30	1.5	1	68.0	223	6,950	22,700	2,900	3,900	562019	562019M
100	104	140	48	24	1.1	0.6	52.0	179	5,300	18,200	2,800	3,700	562920	562920M
	103	150	60	30	1.5	1	68.5	229	7,000	23,400	2,900	3,800	562020	562020M
105	109	145	48	24	1.1	0.6	53.5	188	5,450	19,200	2,700	3,600	562921	562921M
	109	160	66	33	2	1	78.5	266	8,000	27,100	2,600	3,500	562021	562021M
110	114	150	48	24	1.1	0.6	54.0	193	5,500	19,700	2,700	3,600	562922	562922M
	114	170	72	36	2	1	96.0	315	9,750	32,500	2,400	3,300	562022	562022M
120	124	165	54	27	1.1	0.6	65.0	242	6,600	24,700	2,400	3,200	562924	562924M
	124	180	72	36	2	1	98.0	335	10,000	34,500	2,400	3,200	562024	562024M

① Minimum allowable dimension for chamfer dimension r or r_1 . ② Ball's maximum circumscribed circle diameter dimension
 Note: 1. For small diameter type, the cylindrical bore or tapered bore is provided on the small diameter of double row cylindrical roller bearing series NNU49, NN49, and NN30; for large diameter type (marked with "M"), the tapered bore is provided on the large diameter side.



Equivalent bearing load
dynamic
 $P_a = F_a$
static
 $P_{0a} = F_a$



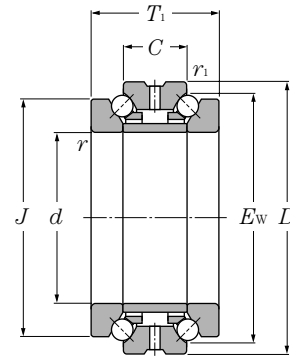
Oil inlet, oil groove dimensions Units mm

Nominal outer diameter <i>D</i>	Oil groove width <i>W_o</i>		Oil inlet <i>d_o</i>	
	Bearing series		Bearing series	
	5629	5620	5629	5620
over up to/incl				
50		4.5		2
50		6		3
80	8	8	4	4

Dimensions		Abutment and fillet dimensions				Mass (approx.)	
mm		mm				kg	
<i>J</i>	<i>E_W</i> ²	<i>d_a</i> min	<i>D_a</i> max	<i>r_{as}</i> max	<i>r_{1as}</i> max	small dia. type	large dia. type
40	41.3	33	44	0.6	0.3	0.197	0.177
47	48.5	40	50.5	1	0.6	0.301	0.28
53	55	45.5	57.5	1	0.6	0.394	0.35
58.5	61	50	63.5	1	0.6	0.482	0.44
65	67.5	56.5	70.5	1	0.6	0.605	0.54
70	72.5	61.5	75.5	1	0.6	0.638	0.59
78	81	67.5	84	1	0.6	0.988	0.9
83	86.1	72.5	89	1	0.6	1.06	0.96
88	91	77.5	94	1	0.6	1.08	1
97	100	85	104	1	0.6	1.53	1.4
102	105	90	109	1	0.6	1.61	1.5
110	113	96.5	119	1	0.6	2.2	2
115	118	102	124	1	0.6	2.31	2.1
123	127	109	133.5	1.5	1	3.05	2.7
128	132	114	138.5	1.5	1	3.18	2.9
126	129	114	134.5	1	0.6	2.04	1.8
133	137	119	143.5	1.5	1	3.32	3
131	134	119	139.5	1	0.6	2.12	1.87
142	146	127	152	2	1	4.19	3.7
136	139	124	144.5	1	0.6	2.21	1.95
150	155	133	162	2	1	5.35	4.9
150	154.5	138	159.5	1	0.6	3.06	2.75
160	165	143	172	2	1	5.73	5.2

Note: 2. The following bearing series can be assembled and used together: **5629 (M)** and **NNU49 (K)** and **NN49 (K)**; **5620 (M)** and **NN30 (K)**.
 3. These are high precision bearings manufactured at **NTN** standard Class 5 or higher.



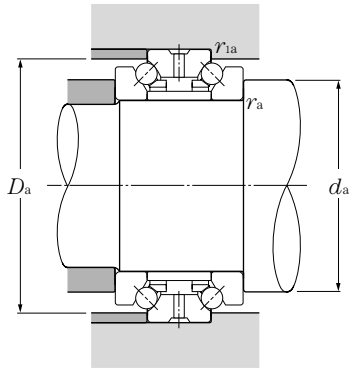


d 130 ~ 320mm

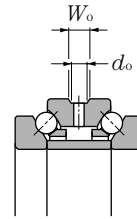
d	Boundary dimensions						Basic load ratings				Limiting speeds		Bearing numbers	
	small dia. type	large dia. type	mm				dynamic	static	dynamic	static	rpm		small dia. type	large dia. type
		D	T_1	C	$r_{s \min}$ ①	$r_{1s \min}$ ②	C_a	C_{oa}	C_a	C_{oa}	grease	oil		
130	134	180	60	30	1.5	1	75.0	284	7,650	28,900	2,200	2,900	562926	562926M
	135	200	84	42	2	1	139	460	14,200	47,000	2,100	2,800	562026	562026M
140	144	190	60	30	1.5	1	76.0	297	7,750	30,500	2,100	2,800	562928	562928M
	145	210	84	42	2	1	144	495	14,600	50,500	2,000	2,700	562028	562028M
150	155	210	72	36	2	1	107	410	10,900	41,500	1,800	2,400	562930	562930M
	155	225	90	45	2.1	1.1	147	525	15,000	53,500	1,900	2,500	562030	562030M
160	165	220	72	36	2	1	109	430	11,100	44,000	1,800	2,300	562932	562932M
	165	240	96	48	2.1	1.1	172	620	17,600	63,000	1,700	2,300	562032	562032M
170	175	230	72	36	2	1	111	450	11,300	46,000	1,700	2,300	562934	562934M
	176	260	108	54	2.1	1.1	202	735	20,600	75,000	1,600	2,100	562034	562034M
180	186	250	84	42	2	1	156	605	15,900	62,000	1,500	2,000	562936	562936M
	187	280	120	60	2.1	1.1	234	865	23,900	88,000	1,400	1,900	562036	562036M
190	196	260	84	42	2	1	157	625	16,000	63,500	1,500	2,000	562938	562938M
	197	290	120	60	2.1	1.1	236	890	24,100	91,000	1,400	1,900	562038	562038M
200	207	280	96	48	2.1	1.1	185	735	18,800	75,000	1,300	1,800	562940	562940M
	207	310	132	66	2.1	1.1	271	1,030	27,700	105,000	1,300	1,700	562040	562040M
220	227	300	96	48	2.1	1.1	190	795	19,400	81,000	1,300	1,700	562944	562944M
	228	340	144	72	3	1.1	335	1,270	34,000	129,000	1,200	1,500	562044	562044M
240	247	320	96	48	2.1	1.1	196	850	20,000	87,000	1,200	1,600	562948	562948M
	248	360	144	72	3	1.1	340	1,350	35,000	137,000	1,100	1,500	562048	562048M
260	269	360	120	60	2.1	1.1	261	1,130	26,600	116,000	1,000	1,400	562952	562952M
	269	400	164	82	4	1.5	405	1,710	41,500	174,000	980	1,300	562052	562052M
280	289	380	120	60	2.1	1.1	265	1,190	27,000	121,000	980	1,300	562956	562956M
	289	420	164	82	4	1.5	415	1,810	42,500	185,000	950	1,300	562056	562056M
300	310	420	144	72	3	1.1	335	1510	34,500	154,000	840	1,100	562960	562960M
	310	460	190	95	4	1.5	475	2,170	48,500	221,000	830	1,100	562060	562060M
320	330	440	144	72	3	1.1	340	1,580	35,000	161,000	820	1,100	562964	562964M
	330	480	190	95	4	1.5	480	2,230	49,000	228,000	810	1,100	562064	562064M

① Minimum allowable dimension for chamfer dimension r or r_1 . ② Ball's maximum circumscribed circle diameter dimension

Note: 1. For small diameter type, the cylindrical bore or tapered bore is provided on the small diameter of double row cylindrical roller bearing series **NNU49**, **NN49**, and **NN30**; for large diameter type (marked with "M"), the tapered bore is provided on the large diameter side.



Equivalent bearing load
dynamic
 $P_a = F_a$
static
 $P_{0a} = F_a$



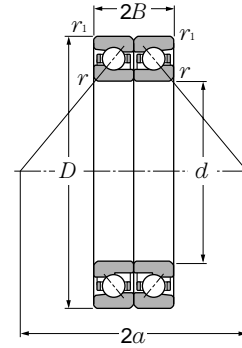
Oil inlet, oil groove dimensions Units mm

Dimensions		Abutment and fillet dimensions				Mass (approx.)	
mm		mm				kg	
<i>J</i>	<i>E_w</i> ^②	<i>d_a</i> min	<i>D_a</i> max	<i>r_{as}</i> max	<i>r_{1as}</i> max	small dia. type	large dia. type
163	168	150	173.5	1.5	1	4.11	3.7
177	182	155	192	2	1	8.58	7.6
173	178	160	183.5	1.5	1	4.38	3.94
187	192	165	202	2	1	9.1	8.1
190	196.5	174	202	2	1	6.88	6.2
200	206	178	215	2	1	11.2	10
200	206.5	184	212	2	1	7.26	6.53
212	219	189	230	2	1	13.6	11.9
210	216.5	194	222	2	1	7.64	6.88
230	236	203	250	2	1	18.5	16.5
227	234	207	242	2	1	11.2	10
248	255	219	270	2	1	24.7	21.8
237	244	217	252	2	1	11.7	10.5
258	265	229	280	2	1	25.5	23
252	261	231	270	2	1	16.3	14.7
274	282	243	300	2	1	32.7	29.7
272	281	251	290	2	1	17.7	16
304	310	267	330	2.5	1	42.8	38.5
292	301	271	310	2	1	19	17
322	330	287	350	2.5	1	45.8	41.2
328	336	299	350	2	1	32.9	29.6
354	364	315	388	3	1.5	67	60.3
348	356	319	370	2	1	35	31.5
374	384	335	408	3	1.5	71.1	64
384	391	349	410	2.5	1	55	49.5
406	418	364	448	3	1.5	102	91.8
404	411	369	430	2.5	1	58.1	52.3
426	438	384	468	3	1.5	108	97.2

Nominal outer diameter <i>D</i>	Oil groove width <i>W_o</i>		Oil inlet <i>d_o</i>		
	Bearing series		Bearing series		
	5629	5620	5629	5620	
over up to/incl					
80	150	8	8	4	4
150	200	8	12	4	6
200	210	12	12	6	6
210	260	12	14	6	6
260	320	14	16	6	8
320	400	16	23	8	12
400	480	22	22	12	12

Note: 2. The following bearing series can be assembled and used together: **5629 (M)** and **NNU49 (K)** and **NN49 (K)**; **5620 (M)** and **NN30 (K)**.
 3. These are high precision bearings manufactured at **NTN** standard Class 5 or higher.



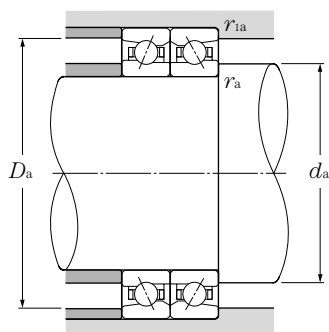


d 25 ~ 120mm

d	Boundary dimensions				dynamic kN	Basic load ratings		static kgf	Limiting speeds		Bearing numbers
	mm					static	dynamic		static	rpm	
	D	$2B$	$r_{s \min}$ ^①	$r_{1s \min}$ ^①	C_a	C_{oa}	C_a	C_{oa}	grease	oil	
25	47	21	0.6	0.3	16.2	22.1	1,650	2,260	16,000	21,000	HTA005DB
30	55	24	1	0.6	17.5	26.7	1,780	2,720	14,000	18,000	HTA006DB
35	62	25.5	1	0.6	25.2	38.0	2,570	3,900	12,000	16,000	HTA007DB
40	68	27	1	0.6	27.2	45.0	2,780	4,550	11,000	14,000	HTA008DB
45	75	28.5	1	0.6	27.9	48.5	2,840	4,950	9,700	13,000	HTA009DB
50	80	28.5	1	0.6	29.6	55.5	3,000	5,650	8,800	12,000	HTA010DB
55	90	33	1.1	0.6	32.0	64.0	3,250	6,500	8,000	11,000	HTA011DB
60	95	33	1.1	0.6	33.5	69.5	3,400	7,100	7,400	9,800	HTA012DB
65	100	33	1.1	0.6	34.0	72.0	3,450	7,350	6,900	9,200	HTA013DB
70	110	36	1.1	0.6	41.5	91.0	4,250	9,300	6,400	8,500	HTA014DB
75	115	36	1.1	0.6	44.0	101	4,500	10,300	5,900	7,900	HTA015DB
80	125	40.5	1.1	0.6	50.5	117	5,150	11,900	5,600	7,400	HTA016DB
85	130	40.5	1.1	0.6	51.0	120	5,200	12,300	5,200	7,000	HTA017DB
90	140	45	1.5	1	59.5	141	6,050	14,400	5,000	6,600	HTA018DB
95	145	45	1.5	1	60.0	146	6,100	14,900	4,700	6,300	HTA019DB
100	140	36	1.1	0.6	47.0	121	4,800	12,300	4,800	6,300	HTA920DB
	150	45	1.5	1	62.0	156	6,350	15,900	4,500	5,900	HTA020DB
105	145	36	1.1	0.6	48.5	128	4,950	13,000	4,500	6,000	HTA921DB
	160	49.5	2	1	71.0	181	7,250	18,400	4,200	5,600	HTA021DB
110	150	36	1.1	0.6	49.0	131	5,000	13,400	4,300	5,800	HTA922DB
	170	54	2	1	88.5	222	9,000	22,700	4,000	5,400	HTA022DB
120	165	40.5	1.1	0.6	57.0	156	5,800	15,900	4,000	5,300	HTA924DB
	180	54	2	1	89.0	228	9,050	23,300	3,700	4,900	HTA024DB

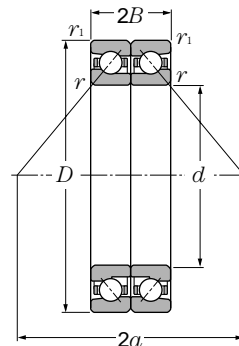
① Minimum allowable dimension for chamfer dimension r or r_1 .

Note: 1. This bearing can be used in place of high speed double row angular contact thrust ball bearings. 2. These are high precision bearings manufactured at NTN standard Class 5 or higher.



Abutment and fillet dimensions				Load center	Mass
mm				mm	kg
d_a min	D_a max	r_{as} max	r_{1as} max	$2a$	(approx.)
31	43.5	0.6	0.3	40.5	0.138
37.5	49	1	0.5	47.5	0.22
42.5	56	1	0.5	53.5	0.274
47.5	62	1	0.5	59	0.342
52.5	69	1	0.5	64.5	0.438
57.5	74	1	0.5	69	0.476
65	84	1	0.6	77.5	0.754
70	89	1	0.6	81.5	0.808
75	94	1	0.6	85.5	0.858
80	104	1	0.6	93.5	1.19
85	109	1	0.6	97.5	1.26
90	119	1	0.6	106	1.73
95	124	1	0.6	110	1.82
102	132.5	1.5	0.8	119	2.4
107	137.5	1.5	0.8	123	2.52
110	134	1	0.6	119	1.6
112	142.5	1.5	0.8	127	2.62
115	139	1	0.6	123	1.66
119	152.5	2	1	136	3.38
120	144	1	0.6	127	1.72
124	162.5	2	1	144	4.22
130	159	1	0.6	140	2.4
134	172.5	2	1	153	4.5



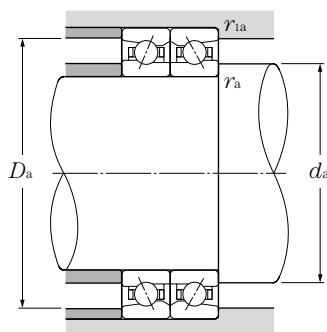


d 130 ~ 320mm

	Boundary dimensions					Basic load ratings				Limiting speeds		Bearing numbers
	mm					dynamic kN	static	dynamic kgf	static	rpm		
<i>d</i>	<i>D</i>	<i>2B</i>	<i>r</i> _{s min} ^①	<i>r</i> _{1s min} ^①	<i>C</i> _a	<i>C</i> _{oa}	<i>C</i> _a	<i>C</i> _{oa}	grease	oil		
130	180	45	1.5	1	68.0	193	6,950	19,600	3,600	4,800	HTA926DB	
	200	63	2	1	128	325	13,000	33,000	3,400	4,500	HTA026DB	
140	190	45	1.5	1	68.0	197	6,950	20,100	3,300	4,500	HTA928DB	
	210	63	2	1	132	345	13,500	35,500	3,100	4,200	HTA028DB	
150	210	54	2	1	95.5	270	9,750	27,600	3,100	4,200	HTA930DB	
	225	67.5	2.1	1.1	136	370	13,800	37,500	2,900	3,900	HTA030DB	
160	220	54	2	1	97.5	284	9,950	29,000	2,900	3,900	HTA932DB	
	240	72	2.1	1.1	159	435	16,200	44,000	2,700	3,600	HTA032DB	
170	230	54	2	1	99.5	298	10,100	30,500	2,700	3,600	HTA934DB	
	260	81	2.1	1.1	182	500	18,600	51,000	2,500	3,400	HTA034DB	
180	250	63	2	1	150	445	15,300	45,500	2,600	3,400	HTA936DB	
	280	90	2.1	1.1	211	585	21,500	60,000	2,400	3,200	HTA036DB	
190	260	63	2	1	153	470	15,600	48,000	2,400	3,200	HTA938DB	
	290	90	2.1	1.1	214	605	21,800	61,500	2,200	3,000	HTA038DB	
200	280	72	2.1	1.1	180	555	18,400	56,500	2,300	3,000	HTA940DB	
	310	99	2.1	1.1	240	680	24,400	69,000	2,100	2,800	HTA040DB	
220	300	72	2.1	1.1	185	595	18,900	60,500	2,100	2,700	HTA944DB	
	340	108	3	1.1	300	860	30,500	87,500	1,900	2,600	HTA044DB	
240	320	72	2.1	1.1	190	635	19,400	64,500	1,900	2,500	HTA948DB	
	360	108	3	1.1	310	915	31,500	93,000	1,700	2,300	HTA048DB	
260	360	90	2.1	1.1	250	830	25,400	84,500	1,700	2,300	HTA952DB	
	400	123	4	1.5	365	1,160	37,500	118,000	1,600	2,100	HTA052DB	
280	380	90	2.1	1.1	257	885	26,200	90,500	1,600	2,100	HTA956DB	
	420	123	4	1.5	375	1,230	38,500	125,000	1,500	2,000	HTA056DB	
300	420	108	3	1.1	325	1,130	33,500	115,000	1,400	1,900	HTA960DB	
	460	142.5	4	1.5	430	1,470	44,000	150,000	1,400	1,800	HTA060DB	
320	440	108	3	1.1	330	1,180	34,000	120,000	1,300	1,800	HTA964DB	
	480	142.5	4	1.5	435	1,520	44,000	155,000	1,300	1,700	HTA064DB	

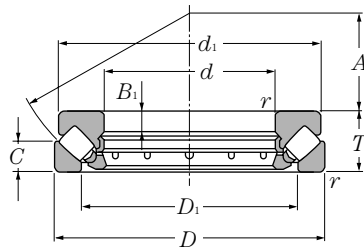
① Minimum allowable dimension for chamfer dimension *r* or *r*₁.

Note: 1. This bearing can be used in place of high speed double row angular contact thrust ball bearings. 2. These are high precision bearings manufactured at NTN standard Class 5 or higher.



Abutment and fillet dimensions				Load center	Mass
mm				mm	kg
d_a min	D_a max	r_{as} max	r_{1as} max	$2a$	(approx.)
142	172.5	1.5	0.8	153	3.26
144	192.5	2	1	170	6.66
152	182.5	1.5	1	161	3.46
154	202.5	2	1	178	7.08
164	202.5	2	1	178	5.4
167	215	2	1	191	8.82
174	212.5	2	1	186	5.7
177	230	2	1	204	10.6
184	222.5	2	1	195	6
187	250	2	1	221	14.5
194	242.5	2	1	212	9.38
197	270	2	1	238	20.6
204	252.5	2	1	220	9.82
207	280	2	1	246	21.4
217	270	2	1	237	13.7
217	300	2	1	263	27.4
237	290	2	1	254	14.8
240	330	2.5	1	289	35.8
257	310	2	1	271	16
260	350	2.5	1	306	38.2
277	350	2	1	305	27.8
283	388	3	1.5	338	56.2
297	370	2	1	322	28
303	408	3	1.5	355	59.6
320	410	2.5	1	356	46.6
323	448	3	1.5	390	85.6
340	430	2.5	1	373	49
343	468	3	1.5	407	90

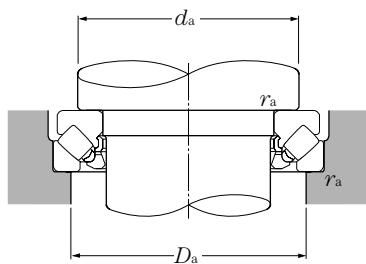




d 60 ~ 160mm

Boundary dimensions				Basic load ratings				Limiting speeds rpm	Bearing numbers	Dimensions				
mm				dynamic kN	static kN	dynamic kgf	static kgf			mm				
<i>d</i>	<i>D</i>	<i>T</i>	<i>r</i> _{s min} ^①	<i>C</i> _a	<i>C</i> _{oa}	<i>C</i> _a	<i>C</i> _{oa}	oil		<i>D</i> ₁	<i>d</i> ₁	<i>B</i> ₁	<i>C</i>	<i>A</i>
60	130	42	1.5	283	805	28,900	82,000	2,600	29412	89	123	15	20	38
65	140	45	2	330	945	33,500	96,500	2,400	29413	96	133	16	21	42
70	150	48	2	365	1,040	37,000	106,000	2,200	29414	103	142	17	23	44
75	160	51	2	415	1,190	42,500	122,000	2,100	29415	109	152	18	24	47
80	170	54	2.1	460	1,380	47,000	141,000	1,900	29416	117	162	19	26	50
85	150	39	1.5	265	820	27,000	84,000	2,300	29317	114	143.5	13	19	50
	180	58	2.1	490	1,480	50,000	151,000	1,800	29417	125	170	21	28	54
90	155	39	1.5	285	915	29,100	93,500	2,300	29318	117	148.5	13	19	52
	190	60	2.1	545	1,680	56,000	172,000	1,700	29418	132	180	22	29	56
100	170	42	1.5	345	1,160	35,500	118,000	2,100	29320	129	163	14	20.8	58
	210	67	3	685	2,130	69,500	217,000	1,500	29420	146	200	24	32	62
110	190	48	2	445	1,500	45,000	152,000	1,800	29322	143	182	16	23	64
	230	73	3	845	2,620	86,500	267,000	1,400	29422	162	220	26	35	69
120	210	54	2.1	535	1,770	54,500	181,000	1,600	29324	159	200	18	26	70
	250	78	4	975	3,050	99,000	310,000	1,300	29424	174	236	29	37	74
130	225	58	2.1	615	2,100	62,500	215,000	1,500	29326	171	215	19	28	76
	270	85	4	1,080	3,550	110,000	360,000	1,200	29426	189	255	31	41	81
140	240	60	2.1	685	2,360	70,000	241,000	1,400	29328	183	230	20	29	82
	280	85	4	1,110	3,750	114,000	385,000	1,200	29428	199	268	31	41	86
150	215	39	1.5	340	1,340	34,500	136,000	1,800	29230	178	208	14	19	82
	250	60	2.1	675	2,390	68,500	243,000	1,400	29330	194	240	20	29	87
	300	90	4	1,280	4,350	131,000	445,000	1,100	29430	214	285	32	44	92
160	225	39	1.5	360	1,460	36,500	149,000	1,700	29232	188	219	14	19	86
	270	67	3	820	2,860	84,000	292,000	1,300	29332	208	260	24	32	92
	320	95	5	1,500	5,150	153,000	525,000	1,000	29432	229	306	34	45	99

① Smallest allowable dimension for chamfer dimension *r*.



Equivalent bearing load

dynamic

$$P_a = F_a + 1.2F_r$$

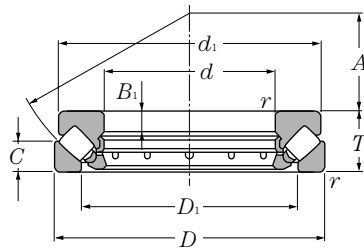
static

$$P_{0a} = F_a + 2.7F_r$$

$$\text{when } \frac{F_r}{F_a} \leq 0.55$$

Abutment and fillet dimensions			Mass
d_a	D_a	r_{as}	kg
min	max	max	(approx.)
90	108	1.5	2.78
100	115	2	3.44
105	125	2	4.19
115	132	2	5.07
120	140	2	6.09
115	135	1.5	2.94
130	150	2	7.2
120	140	1.5	3.08
135	157	2	8.38
130	150	1.5	3.94
150	175	2.5	11.5
145	165	2	5.78
165	190	2.5	15
160	180	2	7.92
180	205	3	18.6
170	195	2	9.76
195	225	3	23.7
185	205	2	11.4
205	235	3	25.2
179	196	1.5	4.56
195	215	2	12
220	250	3	30.5
189	206	1.5	4.88
210	235	2.5	15.9
230	265	4	37

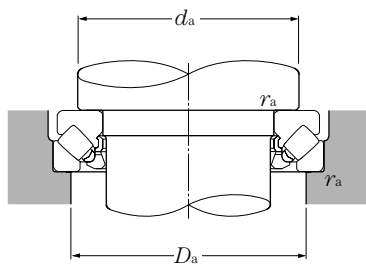




d 170 ~ 320mm

Boundary dimensions	Basic load ratings				Limiting speeds	Bearing numbers	Dimensions							
	dynamic		static				rpm	mm						
mm	mm	mm	mm	kN	kgf	rpm								
<i>d</i>	<i>D</i>	<i>T</i>	<i>r_{s min}</i> ^①	<i>C_a</i>	<i>C_{oa}</i>	oil	<i>D₁</i>	<i>d₁</i>	<i>B₁</i>	<i>C</i>	<i>A</i>			
170	240	42	1.5	425	1,770	43,500	180,000	1,600	29234	198	233	15	20	92
	280	67	3	855	3,050	87,000	310,000	1,200	29334	216	270	23	32	96
	340	103	5	1,660	5,750	169,000	590,000	940	29434	243	324	37	50	104
180	250	42	1.5	450	1,920	45,500	196,000	1,600	29236	208	243	15	20	97
	300	73	3	995	3,600	102,000	365,000	1,100	29336	232	290	25	35	103
	360	109	5	1,840	6,200	188,000	635,000	890	29436	255	342	39	52	110
190	270	48	2	530	2,230	54,000	227,000	1,400	29238	223	262	15	24	104
	320	78	4	1,150	4,250	117,000	430,000	1,100	29338	246	308	27	38	110
	380	115	5	2,010	6,800	205,000	695,000	840	29438	271	360	41	55	117
200	280	48	2	535	2,300	54,500	234,000	1,400	29240	236	271	15	24	108
	340	85	4	1,280	4,600	131,000	470,000	980	29340	261	325	29	41	116
	400	122	5	2,230	7,650	228,000	780,000	790	29440	286	380	43	59	122
220	300	48	2	555	2,480	56,500	253,000	1,300	29244	254	292	15	24	117
	360	85	4	1,390	5,200	141,000	530,000	940	29344	280	345	29	41	125
	420	122	6	2,300	8,100	235,000	825,000	760	29444	308	400	43	58	132
240	340	60	2.1	825	3,600	84,000	365,000	1,100	29248	283	330	19	30	130
	380	85	4	1,380	5,250	140,000	535,000	910	29348	300	365	29	41	135
	440	122	6	2,400	8,700	245,000	885,000	740	29448	326	420	43	59	142
260	360	60	2.1	870	3,950	88,500	400,000	1,100	29252	302	350	19	30	139
	420	95	5	1,710	6,800	175,000	695,000	810	29352	329	405	32	45	148
	480	132	6	2,740	10,000	279,000	1,020,000	670	29452	357	460	48	64	154
280	380	60	2.1	875	4,050	89,000	415,000	1,000	29256	323	370	19	30	150
	440	95	5	1,800	7,250	184,000	740,000	790	29356	348	423	32	46	158
	520	145	6	3,350	12,400	340,000	1,270,000	610	29456	387	495	52	68	166
300	420	73	3	1,190	5,350	121,000	545,000	870	29260	353	405	21	38	162
	480	109	5	2,140	8,250	218,000	840,000	700	29360	379	460	37	50	168
	540	145	6	3,450	13,200	350,000	1,340,000	590	29460	402	515	52	70	175
320	440	73	3	1,260	5,800	128,000	595,000	840	29264	372	430	21	38	172
	500	109	5	2,220	8,800	226,000	895,000	680	29364	399	482	37	53	180
	580	155	7.5	3,700	14,200	375,000	1,440,000	550	29464	435	555	55	75	191

① Smallest allowable dimension for chamfer dimension *r*.



Equivalent bearing load

dynamic

$$P_a = F_a + 1.2F_r$$

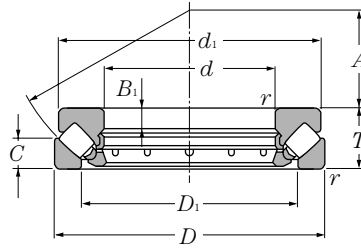
static

$$P_{0a} = F_a + 2.7F_r$$

$$\text{when } \frac{F_r}{F_a} \leq 0.55$$

Abutment and fillet dimensions			Mass
d_a	mm		kg
min	D_a max	r_{as} max	(approx.)
201	218	1.5	6.02
220	245	2.5	16.6
245	285	4	45
211	228	1.5	6.27
235	260	2.5	21.2
260	300	4	52.9
225	245	2	8.8
250	275	3	26
275	320	4	62
235	255	2	9.14
265	295	3	31.9
290	335	4	73.3
260	275	2	9.94
285	315	3	34.5
310	355	5	77.8
285	305	2	17.5
300	330	3	36.6
330	375	5	82.6
305	325	2	18.6
330	365	4	52
360	405	5	108
325	345	2	19.8
350	390	4	54.6
390	440	5	140
355	380	2.5	30.9
380	420	4	75.8
410	460	5	147
375	400	2.5	33.5
400	440	4	79.9
435	495	6	181

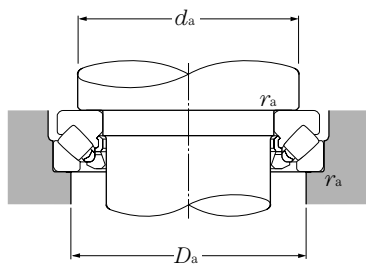




d 340 ~ 500mm

	Boundary dimensions				Basic load ratings				Limiting speeds rpm	Bearing numbers	Dimensions				
	mm				dynamic kN	static kN	dynamic kgf	static kgf			mm				
<i>d</i>	<i>D</i>	<i>T</i>	<i>r_{s min}</i> ¹	<i>C_a</i>	<i>C_{oa}</i>	<i>C_a</i>	<i>C_{oa}</i>	oil		<i>D₁</i>	<i>d₁</i>	<i>B₁</i>	<i>C</i>	<i>A</i>	
340	460	73	3	1,240	5,800	126,000	590,000	820	29268	395	445	21	37	183	
	540	122	5	2,650	10,700	270,000	1,090,000	610	29368	428	520	41	59	192	
	620	170	7.5	4,400	17,500	445,000	1,790,000	500	29468	462	590	61	82	201	
360	500	85	4	1,510	7,050	154,000	720,000	720	29272	423	485	25	44	194	
	560	122	5	2,710	11,100	276,000	1,130,000	590	29372	448	540	41	59	202	
	640	170	7.5	4,500	18,500	460,000	1,890,000	490	29472	480	610	61	82	210	
380	520	85	4	1,590	7,650	162,000	780,000	700	29276	441	505	27	42	202	
	600	132	6	3,200	13,300	325,000	1,360,000	550	29376	477	580	44	63	216	
	670	175	7.5	4,900	19,700	500,000	2,010,000	470	29476	504	640	63	85	230	
400	540	85	4	1,620	7,950	165,000	810,000	680	29280	460	526	27	42	212	
	620	132	6	3,400	14,500	345,000	1,480,000	530	29380	494	596	44	64	225	
	710	185	7.5	5,450	22,100	555,000	2,250,000	440	29480	534	680	67	89	236	
420	580	95	5	2,100	10,400	214,000	1,060,000	620	29284	489	564	30	46	225	
	650	140	6	3,600	15,500	365,000	1,580,000	500	29384	520	626	48	68	235	
	730	185	7.5	5,500	22,800	560,000	2,330,000	430	29484	556	700	67	89	244	
440	600	95	5	2,150	10,900	219,000	1,110,000	600	29288	508	585	30	49	235	
	680	145	6	3,800	16,400	385,000	1,680,000	480	29388	548	655	49	70	245	
	780	206	9.5	6,400	26,200	650,000	2,670,000	390	29488	588	745	74	100	260	
460	620	95	5	2,150	11,000	219,000	1,120,000	590	29292	530	605	30	46	245	
	710	150	6	4,200	18,500	430,000	1,880,000	460	29392	567	685	51	72	257	
	800	206	9.5	6,600	27,900	670,000	2,840,000	380	29492	608	765	74	100	272	
480	650	103	5	2,400	12,000	245,000	1,220,000	550	29296	556	635	33	55	259	
	730	150	6	4,200	18,700	430,000	1,910,000	450	29396	590	705	51	72	270	
	850	224	9.5	7,500	31,500	765,000	3,200,000	350	29496	638	810	81	108	280	
500	670	103	5	2,540	13,000	259,000	1,330,000	530	292/500	574	654	33	55	268	
	750	150	6	4,300	19,300	435,000	1,970,000	440	293/500	611	725	51	74	280	
	870	224	9.5	7,850	33,000	805,000	3,350,000	340	294/500	661	830	81	107	290	

¹ Smallest allowable dimension for chamfer dimension *r*.



Equivalent bearing load

dynamic

$$P_a = F_a + 1.2F_r$$

static

$$P_{0a} = F_a + 2.7F_r$$

$$\text{when } \frac{F_r}{F_a} \leq 0.55$$

Abutment and fillet dimensions			Mass
mm			kg
d_a min	D_a max	r_{as} max	(approx.)
395	420	2.5	34.4
430	470	4	107
465	530	6	230
420	455	3	50.5
450	495	4	112
485	550	6	240
440	475	3	53.4
480	525	5	143
510	575	6	267
460	490	3	55.8
500	550	5	148
540	610	6	321
490	525	4	76.6
525	575	5	172
560	630	6	333
510	545	4	79.6
550	600	5	195
595	670	8	428
530	570	4	82.8
575	630	5	221
615	690	8	443
555	595	4	98.6
595	650	5	228
645	730	8	552
575	615	4	102
615	670	5	235
670	750	8	569



Locknuts, Lockwashers & Lockplates

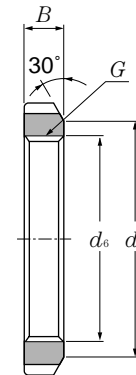
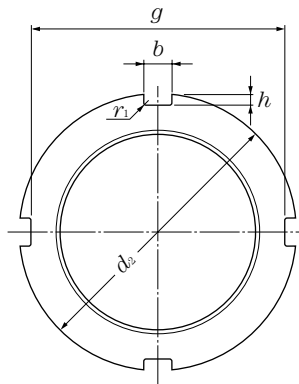
Contents

Locknuts	C- 2
Nuts	C- 8
Lockwashers	C-12
Lockplates	C-15

Locknuts, Lockwashers & Lockplates



For adapter sleeve, withdrawal sleeve and shaft Series AN



Bearing numbers	thread $G^{\text{①}}$	Dimensions								Mass kg (approx.)	Reference	
		mm									bore no. ^② of adapter	lock- ^③ washer No.
		d_2	d_1	g	b	h	d_6	B	r_1 max			
AN00	M10 × 0.75	18	13.5	14	3	2	10.5	4	0.4	0.005	-	AW00
AN01	M12 × 1	22	17	18	3	2	12.5	4	0.4	0.007	-	AW01
AN02	M15 × 1	25	21	21	4	2	15.5	5	0.4	0.01	-	AW02
AN03	M17 × 1	28	24	24	4	2	17.5	5	0.4	0.013	-	AW03
AN04	M20 × 1	32	26	28	4	2	20.5	6	0.4	0.019	04	AW04
AN05	M25 × 1.5	38	32	34	5	2	25.8	7	0.4	0.025	05	AW05
AN06	M30 × 1.5	45	38	41	5	2	30.8	7	0.4	0.043	06	AW06
AN07	M35 × 1.5	52	44	48	5	2	35.8	8	0.4	0.053	07	AW07
AN08	M40 × 1.5	58	50	53	6	2.5	40.8	9	0.5	0.085	08	AW08
AN09	M45 × 1.5	65	56	60	6	2.5	45.8	10	0.5	0.119	09	AW09
AN10	M50 × 1.5	70	61	65	6	2.5	50.8	11	0.5	0.148	10	AW10
AN11	M55 × 2	75	67	69	7	3	56	11	0.5	0.158	11	AW11
AN12	M60 × 2	80	73	74	7	3	61	11	0.5	0.174	12	AW12
AN13	M65 × 2	85	79	79	7	3	66	12	0.5	0.203	13	AW13
AN14	M70 × 2	92	85	85	8	3.5	71	12	0.5	0.242	14	AW14
AN15	M75 × 2	98	90	91	8	3.5	76	13	0.5	0.287	15	AW15
AN16	M80 × 2	105	95	98	8	3.5	81	15	0.6	0.397	16	AW16
AN17	M85 × 2	110	102	103	8	3.5	86	16	0.6	0.451	17	AW17
AN18	M90 × 2	120	108	112	10	4	91	16	0.6	0.556	18	AW18
AN19	M95 × 2	125	113	117	10	4	96	17	0.6	0.658	19	AW19
AN20	M100 × 2	130	120	122	10	4	101	18	0.6	0.698	20	AW20
AN21	M105 × 2	140	126	130	12	5	106	18	0.7	0.845	21	AW21
AN22	M110 × 2	145	133	135	12	5	111	19	0.7	0.965	22	AW22
AN23	M115 × 2	150	137	140	12	5	116	19	0.7	1.01	-	AW23
AN24	M120 × 2	155	138	145	12	5	121	20	0.7	1.08	24	AW24
AN25	M125 × 2	160	148	150	12	5	126	21	0.7	1.19	-	AW25
AN26	M130 × 2	165	149	155	12	5	131	21	0.7	1.25	26	AW26
AN27	M135 × 2	175	160	163	14	6	136	22	0.7	1.55	-	AW27
AN28	M140 × 2	180	160	168	14	6	141	22	0.7	1.56	28	AW28
AN29	M145 × 2	190	171	178	14	6	146	24	0.7	2	-	AW29
AN30	M150 × 2	195	171	183	14	6	151	24	0.7	2.03	30	AW30
AN31	M155 × 3	200	182	186	16	7	156.5	25	0.7	2.21	-	AW31
AN32	M160 × 3	210	182	196	16	7	161.5	25	0.7	2.59	32	AW32
AN33	M165 × 3	210	193	196	16	7	166.5	26	0.7	2.43	-	AW33
AN34	M170 × 3	220	193	206	16	7	171.5	26	0.7	2.8	34	AW34
AN36	M180 × 3	230	203	214	18	8	181.5	27	0.7	3.07	36	AW36
AN38	M190 × 3	240	214	224	18	8	191.5	28	0.7	3.39	38	AW38
AN40	M200 × 3	250	226	234	18	8	201.5	29	0.7	3.69	40	AW40

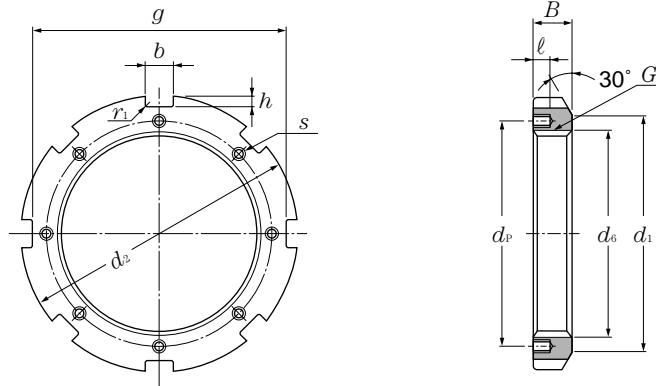
① Standard thread shapes and dimensions are as per JIS B0207 (metric thread).

② Uses adapter series H31, H2, and H23

③ Can also use washers with straight inner tabs (code "X").

Reference withdrawal sleeve No.								Shaft
AH30	AH240	AH31	AH241	AH2	AH32	AH3	AH23	mm
								(for shaft)
-	-	-	-	-	-	-	-	10
-	-	-	-	-	-	-	-	12
-	-	-	-	-	-	-	-	15
-	-	-	-	-	-	-	-	17
-	-	-	-	-	-	-	-	20
-	-	-	-	-	-	-	-	25
-	-	-	-	-	-	-	-	30
-	-	-	-	-	-	-	-	35
-	-	-	-	-	-	-	-	40
-	-	-	-	AH208	-	AH 308	AH 2308	45
-	-	-	-	AH209	-	AH 309	AH 2309	50
-	-	-	-	AH210	-	AHX310	AHX2310	55
-	-	-	-	AH211	-	AHX311	AHX2311	60
-	-	-	-	AH212	-	AHX312	AHX2312	65
-	-	-	-	-	-	-	-	70
-	-	-	-	AH213	-	AH 313	AH 2313	75
-	-	-	-	AH214	-	AH 314	AHX2314	80
-	-	-	-	AH215	-	AH 315	AHX2315	85
-	-	-	-	AH216	-	AH 316	AHX2316	90
-	-	-	-	AH217	-	AHX317	AHX2317	95
-	-	-	-	AH218	AHX3218	AHX318	AHX2318	100
-	-	-	-	AH219	-	AHX319	AHX2319	105
-	-	-	-	AH220	AHX3220	AHX320	AHX2320	110
-	-	-	AH24122	AH221	-	AHX321	-	115
-	-	AHX3122	-	AH222	-	AHX322	-	120
-	AH24024	-	-	-	AHX3222	-	AHX2322	125
AHX3024	-	AHX3124	AH24124	AH224	-	AHX324	-	130
-	AH24026	-	-	-	AHX3224	-	AHX2324	135
AHX3026	-	AHX3126	AH24126	AH226	-	AHX326	-	140
-	AH24028	-	-	-	AHX3226	-	AHX2326	145
AHX3028	-	AHX3128	AH24128	AH228	-	AHX328	-	150
-	AH24030	-	-	-	AHX3228	-	AHX2328	155
AHX3030	-	-	AH24130	AH230	-	-	-	160
-	-	AHX3130	-	-	AHX3230	AHX330	AHX2330	165
AH 3032	AH24032	-	AH24132	AH232	-	-	-	170
AH 3034	AH24034	AH 3132	AH24134	AH234	AH 3232	AH 332	AH 2332	180
AH 3036	AH24036	AH 3134	AH24136	AH236	AH 3234	AH 334	AH 2334	190
-	AH24038	AH 3136	AH24138	-	AH 3236	-	AH 2336	200

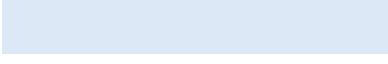
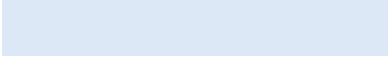
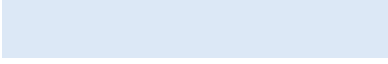
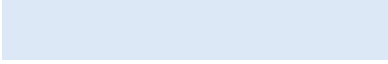
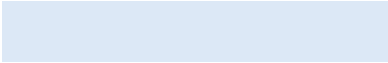
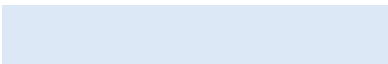
For adapter sleeve and shaft Series AN



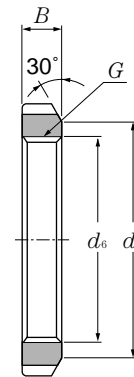
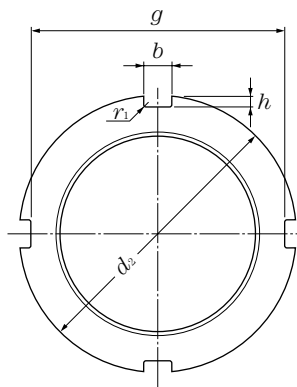
Bearing numbers	Dimensions											Mass kg (approx.)	
	thread		mm								thread		
	$G^{\textcircled{1}}$	d_2	d_1	g	b	h	d_6	B	r_1 max	l	$s^{\textcircled{2}}$		d_P
AN 44	Tr220 × 4	280	250	260	20	10	222	32	0.8	15	M 8 × 1.25	238	5.2
AN 48	Tr240 × 4	300	270	280	20	10	242	34	0.8	15	M 8 × 1.25	258	5.95
AN 52	Tr260 × 4	330	300	306	24	12	262	36	0.8	18	M10 × 1.5	281	8.05
AN 56	Tr280 × 4	350	320	326	24	12	282	38	0.8	18	M10 × 1.5	301	9.05
AN 60	Tr300 × 4	380	340	356	24	12	302	40	0.8	18	M10 × 1.5	326	11.8
AN 64	Tr320 × 5	400	360	376	24	12	322.5	42	0.8	18	M10 × 1.5	345	13.1
AN 68	Tr340 × 5	440	400	410	28	15	342.5	55	1	21	M12 × 1.75	372	23.1
AN 72	Tr360 × 5	460	420	430	28	15	362.5	58	1	21	M12 × 1.75	392	25.1
AN 76	Tr380 × 5	490	450	454	32	18	382.5	60	1	21	M12 × 1.75	414	30.9
AN 80	Tr400 × 5	520	470	484	32	18	402.5	62	1	27	M16 × 2	439	36.9
AN 84	Tr420 × 5	540	490	504	32	18	422.5	70	1	27	M16 × 2	459	43.5
AN 88	Tr440 × 5	560	510	520	36	20	442.5	70	1	27	M16 × 2	477	45.3
AN 92	Tr460 × 5	580	540	540	36	20	462.5	75	1	27	M16 × 2	497	50.4
AN 96	Tr480 × 5	620	560	580	36	20	482.5	75	1	27	M16 × 2	527	62.2
AN100	Tr500 × 5	630	580	584	40	23	502.5	80	1	27	M16 × 2	539	63.3

^① Standard thread shapes and dimensions are as per JIS B0216 (metric thread).
^② Thread dimensions are as per JIS B0205 (metric coarse screw thread type thread).
^③ Applied to adapter series H31, H32, and H23

Reference		Shaft
bore no. of adapter	lock- plate No.	
		mm (for shaft)
44	AL 44	220
48	AL 44	240
52	AL 52	260
56	AL 52	280
60	AL 60	300
64	AL 64	320
68	AL 68	340
72	AL 68	360
76	AL 76	380
80	AL 80	400
84	AL 80	420
88	AL 88	440
92	AL 88	460
96	AL 96	480
/500	AL100	500



For withdrawal and shaft Series HN

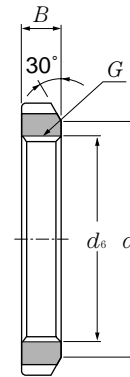
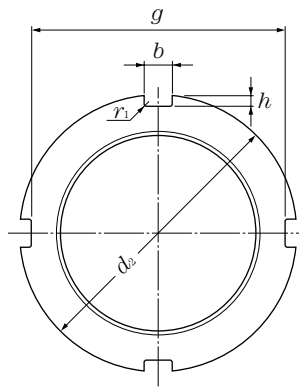


Bearing numbers	thread	Dimensions								Mass kg (approx.)	Reference		
		mm									withdrawal sleeve no.		
		$G^{\text{①}}$	d_2	d_1	g	b	h	d_6	B		r_1 max	AH240	AH31
HN 42	Tr210 × 4	270	238	250	20	10	212	30	0.8	4.75	AH24040	AH 3138	AH24140
HN 44	Tr220 × 4	280	250	260	20	10	222	32	0.8	5.35	-	AH 3140	-
HN 46	Tr230 × 4	290	260	270	20	10	232	34	0.8	5.8	AH24044H	-	AH24144H
HN 48	Tr240 × 4	300	270	280	20	10	242	34	0.8	6.2	-	AH 3144	-
HN 50	Tr250 × 4	320	290	300	20	10	252	36	0.8	7	AH24048H	-	-
HN 52	Tr260 × 4	330	300	306	24	12	262	36	0.8	8.55	-	AH 3148	AH24148H
HN 54	Tr270 × 4	340	310	316	24	12	272	38	0.8	9.2	AH24052H	-	-
HN 56	Tr280 × 4	350	320	326	24	12	282	38	0.8	10	-	-	AH24152H
HN 58	Tr290 × 4	370	330	346	24	12	292	40	0.8	11.8	AH24056H	AH 3152	-
HN 60	Tr300 × 4	380	340	356	24	12	302	40	0.8	12	-	-	AH24156H
HN 62	Tr310 × 5	390	350	366	24	12	312.5	42	0.8	13.4	AH24060H	AH 3156	-
HN 64	Tr320 × 5	400	360	376	24	12	322.5	42	0.8	13.5	-	-	AH24160H
HN 66	Tr330 × 5	420	380	390	28	15	332.5	52	1	20.4	AH24064H	AH 3160	-
HN 68	Tr340 × 5	440	400	410	28	15	342.5	55	1	24.5	-	-	AH24164H
HN 70	Tr350 × 5	450	410	420	28	15	352.5	55	1	25.2	-	AH 3164	-
HN 72	Tr360 × 5	460	420	430	28	15	362.5	58	1	27.5	-	-	AH24168H
HN 74	Tr370 × 5	470	430	440	28	15	372.5	58	1	28.2	-	AH 3168	-
HN 76	Tr380 × 5	490	450	454	32	18	382.5	60	1	33.5	-	-	AH24172H
HN 80	Tr400 × 5	520	470	484	32	18	402.5	62	1	40	-	AH 3172	AH24176H
HN 84	Tr420 × 5	540	490	504	32	18	422.5	70	1	46.9	-	AH 3176	AH24180H
HN 88	Tr440 × 5	560	510	520	36	20	442.5	70	1	48.5	-	AH 3180	AH24184H
HN 92	Tr460 × 5	580	540	540	36	20	462.5	75	1	55	-	AH 3184	AH24188H
HN 96	Tr480 × 5	620	560	580	36	20	482.5	75	1	67	-	AHX3188	AH24192H
HN100	Tr500 × 5	630	590	590	40	23	502.5	80	1	69	-	-	AH24196H
HN102	Tr510 × 6	650	590	604	40	23	513	80	1	75	-	AHX3192	-
HN106	Tr530 × 6	670	610	624	40	23	533	80	1	78	-	AHX3196	AH241/500H
HN110	Tr550 × 6	700	640	654	40	23	553	80	1	92.5	-	AHX31/500	-

① Standard thread shapes and dimensions are as per JIS B0216 (metric block type thread).

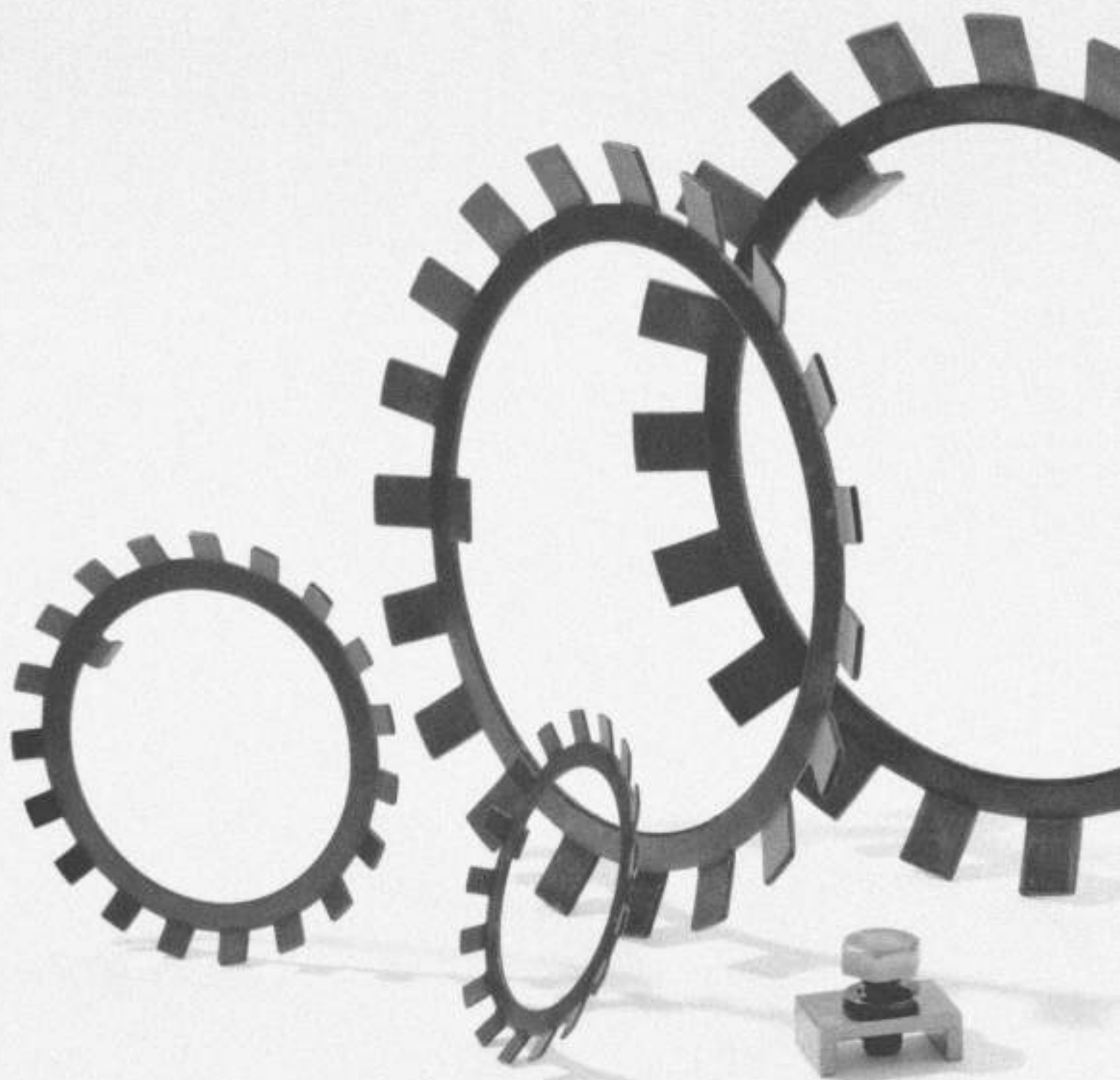
Reference		
withdrawal sleeve no.		
AH22	AH32	AH23
AH2238	AH 3238	AH2338
AH2240	AH 3240	AH2340
-	-	-
AH2244	-	AH2344
-	-	-
AH2248	-	AH2348
-	-	-
-	-	-
AH2252	-	AH2352
-	-	-
AH2256	-	AH2356
-	-	-
AH2260	AH 3260	-
-	-	-
AH2264	AH 3264	-
-	-	-
-	AH 3268	-
-	-	-
-	AH 3272	-
-	AH 3276	-
-	AH 3280	-
-	AH 3284	-
-	AHX3288	-
-	-	-
-	AHX3292	-
-	AHX3296	-
-	AHX32/500	-

For withdrawal and shaft Series HNL

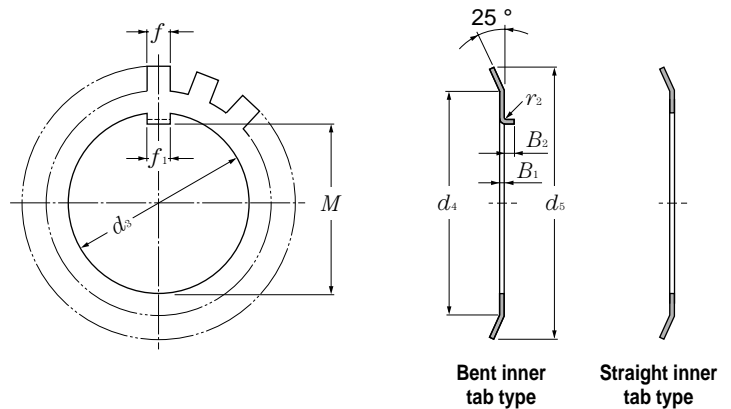


Bearing	thread	Dimensions								Mass kg (approx.)	Reference		
		mm									withdrawal sleeve no.		
		$G^{\text{①}}$	d_2	d_1	g	b	h	d_6	B		r_1 max	AH30	AH24D
HNL 41	Tr205 × 4	250	232	234	18	8	207	30	0.8	3.43	AH 3038	-	AH238
HNL 43	Tr215 × 4	260	242	242	20	9	217	30	0.8	3.72	AH 3040	-	AH240
HNL 47	Tr235 × 4	280	262	262	20	9	237	34	0.8	4.6	AH 3044	-	AH244
HNL 52	Tr260 × 4	310	290	290	20	10	262	34	0.8	5.8	AH 3048	-	AH248
HNL 56	Tr280 × 4	330	310	310	24	10	282	38	0.8	6.72	AH 3052	-	AH252
HNL 60	Tr300 × 4	360	336	336	24	12	302	42	0.8	9.6	AH 3056	-	AH256
HNL 64	Tr320 × 5	380	356	356	24	12	322.5	42	1	10.3	AH 3060	-	-
HNL 69	Tr345 × 5	410	384	384	28	13	347.5	45	1	11.5	AH 3064	-	-
HNL 72	Tr360 × 5	420	394	394	28	13	362.5	45	1	12.1	-	AH24068H	-
HNL 73	Tr365 × 5	430	404	404	28	13	367.5	48	1	14.2	AH 3068	-	-
HNL 76	Tr380 × 5	450	422	422	28	14	382.5	48	1	16	-	AH24072H	-
HNL 77	Tr385 × 5	450	422	422	28	14	387.5	48	1	15	AH 3072	-	-
HNL 80	Tr400 × 5	470	442	442	28	14	402.5	52	1	18.5	-	AH24076H	-
HNL 82	Tr410 × 5	480	452	452	32	14	412.5	52	1	19	AH 3076	-	-
HNL 84	Tr420 × 5	490	462	462	32	14	422.5	52	1	19.4	-	AH24080H	-
HNL 86	Tr430 × 5	500	472	472	32	14	432.5	52	1	19.8	AH 3080	-	-
HNL 88	Tr440 × 5	520	490	490	32	15	442.5	60	1	27	-	AH24084H	-
HNL 90	Tr450 × 5	520	490	490	32	15	452.5	60	1	23.8	AH 3084	-	-
HNL 92	Tr460 × 5	540	510	510	32	15	462.5	60	1	28	-	AH24088H	-
HNL 94	Tr470 × 5	540	510	510	32	15	472.5	60	1	25	AHX3088	-	-
HNL 96	Tr480 × 5	560	530	530	36	15	482.5	60	1	29.5	-	AH24092H	-
HNL 98	Tr490 × 5	580	550	550	36	15	492.5	60	1	34	AHX3092	-	-
HNL100	Tr500 × 5	580	550	550	36	15	502.5	68	1	35	-	AH24096H	-
HNL104	Tr520 × 6	600	570	570	36	15	523	68	1	37	AHX3096	-	-
HNL106	Tr530 × 6	630	590	590	40	20	533	68	1	47	-	AH240/500H	-
HNL108	Tr540 × 6	630	590	590	40	20	543	68	1	43.5	AHX30/500	-	-

① Standard thread shapes and dimensions are as per JIS B0216 (metric block type thread).



Series AW



Bearing numbers		Dimensions							No. of tabs		Mass	
bent inner tab type	straight inner tab type	d_3	M	f_1	B_1	f	d_4	d_5	bent inner tab type		kg	
		mm							r_2	B_2	100 pieces	
											(approx.)	
AW00	AW00X	10	8.5	3	1	3	13.5	21	0.5	2	9	0.131
AW01	AW01X	12	10.5	3	1	3	17	25	0.5	2	11	0.192
AW02	AW02X	15	13.5	4	1	4	21	28	1	2.5	13	0.253
AW03	AW03X	17	15.5	4	1	4	24	32	1	2.5	13	0.313
AW04	AW04X	20	18.5	4	1	4	26	36	1	2.5	13	0.35
AW05	AW05X	25	23	5	1.2	5	32	42	1	2.5	13	0.64
AW06	AW06X	30	27.5	5	1.2	5	38	49	1	2.5	13	0.78
AW07	AW07X	35	32.5	6	1.2	5	44	57	1	2.5	15	1.04
AW08	AW08X	40	37.5	6	1.2	6	50	62	1	2.5	15	1.23
AW09	AW09X	45	42.5	6	1.2	6	56	69	1	2.5	17	1.52
AW10	AW10X	50	47.5	6	1.2	6	61	74	1	2.5	17	1.6
AW11	AW11X	55	52.5	8	1.2	7	67	81	1	4	17	1.96
AW12	AW12X	60	57.5	8	1.5	7	73	86	1.2	4	17	2.53
AW13	AW13X	65	62.5	8	1.5	7	79	92	1.2	4	19	2.9
AW14	AW14X	70	66.5	8	1.5	8	85	98	1.2	4	19	3.34
AW15	AW15X	75	71.5	8	1.5	8	90	104	1.2	4	19	3.56
AW16	AW16X	80	76.5	10	1.8	8	95	112	1.2	4	19	4.64
AW17	AW17X	85	81.5	10	1.8	8	102	119	1.2	4	19	5.24
AW18	AW18X	90	86.5	10	1.8	10	108	126	1.2	4	19	6.23
AW19	AW19X	95	91.5	10	1.8	10	113	133	1.2	4	19	6.7
AW20	AW20X	100	96.5	12	1.8	10	120	142	1.2	6	19	7.65
AW21	AW21X	105	100.5	12	1.8	12	126	145	1.2	6	19	8.26
AW22	AW22X	110	105.5	12	1.8	12	133	154	1.2	6	19	9.4
AW23	AW23X	115	110.5	12	2	12	137	159	1.5	6	19	10.8
AW24	AW24X	120	115	14	2	12	138	164	1.5	6	19	10.5
AW25	AW25X	125	120	14	2	12	148	170	1.5	6	19	11.8
AW26	AW26X	130	125	14	2	12	149	175	1.5	6	19	11.3
AW27	AW27X	135	130	14	2	14	160	185	1.5	6	19	14.4
AW28	AW28X	140	135	16	2	14	160	192	1.5	8	19	14.2
AW29	AW29X	145	140	16	2	14	171	202	1.5	8	19	16.8
AW30	AW30X	150	145	16	2	14	171	205	1.5	8	19	15.5
AW31	AW31X	155	147.5	16	2.5	16	182	212	1.5	8	19	20.9
AW32	AW32X	160	154	18	2.5	16	182	217	1.5	8	19	22.2
AW33	AW33X	165	157.5	18	2.5	16	193	222	1.5	8	19	24.1
AW34	AW34X	170	164	18	2.5	16	193	232	1.5	8	19	24.7
AW36	AW36X	180	174	20	2.5	18	203	242	1.5	8	19	26.8
AW38	AW38X	190	184	20	2.5	18	214	252	1.5	8	19	27.8
AW40	AW40X	200	194	20	2.5	18	226	262	1.5	8	19	29.3

① Uses adapter series H31, H2, H32, H3, and H23.

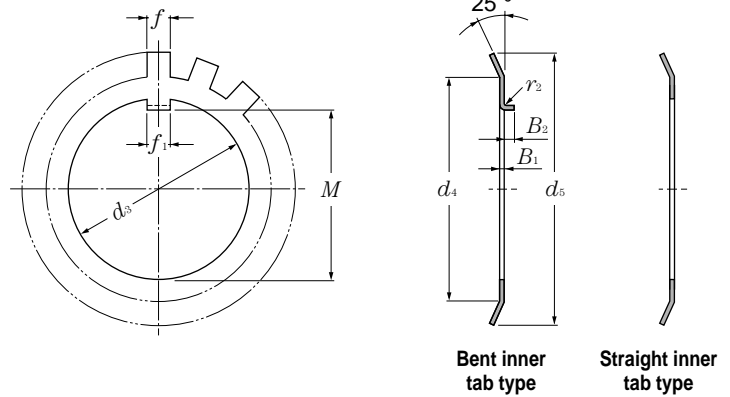
bore no. ① of adapter	Reference locknut no.	shaft mm (for shaft)
-	AN00	10
-	AN01	12
-	AN02	15
-	AN03	17
04	AN04	20
05	AN05	25
06	AN06	30
07	AN07	35
08	AN08	40
09	AN09	45
10	AN10	50
11	AN11	55
12	AN12	60
13	AN13	65
14	AN14	70
15	AN15	75
16	AN16	80
17	AN17	85
18	AN18	90
19	AN19	95
20	AN20	100
21	AN21	105
22	AN22	110
-	AN23	115
24	AN24	120
-	AN25	125
26	AN26	130
-	AN27	135
28	AN28	140
-	AN29	145
30	AN30	150
-	AN31	155
32	AN32	160
-	AN33	165
34	AN34	170
36	AN36	180
38	AN38	190
40	AN40	200

Nominal bore dia.		Units mm			
Over	up to/incl	Dimensional tolerance for distance from inner tab to bore surface ΔM		Dimension tolerance for width of inner tab ΔL	
		High	Low	High	Low
6	50	+0.3	0	+0.2	-0.2
50	80	+0.3	0	+0.5	-0.5
80	120	+0.5	0	+0.7	-0.7
120	200	+0.5	0	+1	-1

Above table is applicable to AWL series.

Note: Narrow slit type adapter sleeves appended with the **H2**, **H3**, and **H23** series code suffix "X", use straight inner tab washers (marked with "X"); wide slit type adapter sleeves without the suffix "X" can either straight or bent inner tab washers.

Series AWL

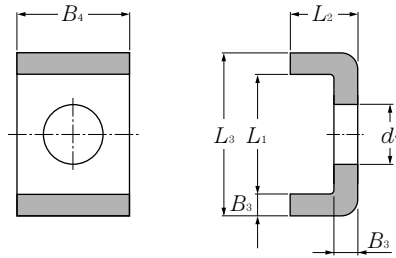


Bearing numbers		Dimensions mm										NO.of tabs	Mass kg	Reference		
bent inner tab type	straight inner tab type	d_3	M	f_1	B_1	f	d_4	d_5	r_2	B_2	bent inner tab type	100 pieces (approx.)	bore no. of adapter	locknut no.	shaft mm (for shaft)	
AWL24	AWL24X	120	115	14	2	12	133	155	1.5	6	19	7.7	24	ANL24	120	
AWL26	AWL26X	130	125	14	2	12	143	165	1.5	6	19	8.7	26	ANL26	130	
AWL28	AWL28X	140	135	16	2	14	151	175	1.5	8	19	10.9	28	ANL28	140	
AWL30	AWL30X	150	145	16	2	14	164	190	1.5	8	19	11.3	30	ANL30	150	
AWL32	AWL32X	160	154	18	2.5	16	174	200	1.5	8	19	16.2	32	ANL32	160	
AWL34	AWL34X	170	164	18	2.5	16	184	210	1.5	8	19	19	34	ANL34	170	
AWL36	AWL36X	180	174	20	2.5	18	192	220	1.5	8	19	18	36	ANL36	180	
AWL38	AWL38X	190	184	20	2.5	18	202	230	1.5	8	19	20.5	38	ANL38	190	
AWL40	AWL40X	200	194	20	2.5	18	218	250	1.5	8	19	21.4	40	ANL40	200	

① Uses adapter series H31, H2, H32, H3, and H23.

Note: Wide slit type adapter sleeves without the suffix "X" can use either straight or bent inner tab washers.

Series AL, ALL



Bearing numbers	Dimensions mm						Mass kg 100 pieces (approx.)	Reference locknut no.
	B_3	B_4	L_2	d_7	L_1	L_3		
AL 44	4	20	12	9	22.5	30.5	2.6	AN44,AN48
AL 52	4	24	12	12	25.5	33.5	3.39	AN52,AN56
AL 60	4	24	12	12	30.5	38.5	3.79	AN60
AL 64	5	24	15	12	31	41	5.35	AN64
AL 68	5	28	15	14	38	48	6.65	AN68,AN72
AL 76	5	32	15	14	40	50	7.96	AN76
AL 80	5	32	15	18	45	55	8.2	AN80,AN84
AL 88	5	36	15	18	43	53	9	AN88,AN92
AL 96	5	36	15	18	53	63	10.4	AN96
AL100	5	40	15	18	45	55	10.5	AN100

Note: Series **AL** uses series **H31**,**H32**,and **H23** adapters.

Bearing numbers	Dimensions mm						Mass kg 100 pieces (approx.)	Reference locknut no.
	B_3	B_4	L_2	d_7	L_1	L_3		
ALL44	4	20	12	7	13.5	21.5	2.12	ANL44
ALL48	4	20	12	9	17.5	25.5	2.29	ANL48,ANL52
ALL56	4	24	12	9	17.5	25.5	2.92	ANL56
ALL60	4	24	12	9	20.5	28.5	3.16	ANL60
ALL64	5	24	15	9	21	31	4.56	ANL64,ANL68
ALL72	5	28	15	9	20	30	5.03	ANL72
ALL76	5	28	15	12	24	34	5.28	ANL76,ANL80
ALL84	5	32	15	12	24	34	6.11	ANL84
ALL88	5	32	15	14	28	38	6.45	ANL88,ANL92
ALL96	5	36	15	14	28	38	7.29	ANL96,ANL100

Note: Series **ALL** uses series **H30** adapters.

Catalog List & Appendix Table



CATALOG TITLES	CATALOG No.
BALL AND ROLLER BEARINGS	
Ball and Roller Bearings	2202/C/E/F/D/I/K/S/T/TC
Large Bearings	2250/E
Plastic Cages for Rolling Element Bearings	3012/E
Miniature and Extra Small Ball Bearings	3013/E
Miniature Molded Rubber Bearings	3014/E
Vacuum Bearings	3016/E
Care and Maintenance of Bearings	3017/E/S
Ultra-Clean Bearings	3018/E
HL Bearings	3020/E
Bearings with Solid Grease	3022/E/S
Large Size, Long Operating Life Bearing-EA type	3024/E
Tapered Roller Bearings ECO-Top	3026/E/S
Self-Aligning Spherical Roller Bearings LH Series	3027/E/S
Super Slim Ball Bearings	3101/E
Ceramic Ball / Angular-Contact Bearings	3203/E
Insulated Bearings-Resin Coated Type	3204/E
Cross Roller Thrust Bearings	3501/E
Type E Spherical Roller Bearings	3701/E
Sealed Self-Aligning Roller Bearings-WA Type	3702/E
Aerospace Bearings	8102/E
Precision Rolling Bearings for Machine Tools	8401/E
NEEDLE ROLLER BEARINGS	
Needle Roller Bearings	2300/E/I
Miniature Cam Followers	3601/E
CONSTANT VELOCITY JOINTS	
Constant Velocity Joints for Automobiles	5601/JE
TRI-Ball Joint / Constant Velocity Joints	5602/E
Constant Velocity Joints for Industrial Applications	5603/E
BEARING UNITS	
Bearing Units	2400/E/I/S
Bearing Units with Ductile Cast Iron Housing	3901/E
Bearing Units Steel Series	3902/E
Bearing Units Stainless Series	3903/E
Bearing Units Plastic Housing Series	3904/E
Triple-Sealed Bearings for Bearing Units	3905/E

CATALOG TITLES	CATALOG No.
PLUMMER BLOCKS	
Plummer Blocks	2500E/S
PRECISION BALL SCREWS	
Precision Ball Screws	6000/E
Rolled Ball Screws	6206/E
PARTS FEEDER	
Parts Feeder	7018/E
NTN Parts Feeder with Standard Attachments (for Bolts or Washer)	7016/E
CLUTCHES	
One-way Clutches (Overrunning Clutches)	6402/E
PLAIN BEARINGS	
"BEAREE" NTN Engineering Plastics	5100/E
NTN "BEARPHITE" Oil Impregnated Sintered Bearings	5202/E
Spherical Plain Bearings	5301/E
HANDBOOK	
Bearing Units Handbook	9011/E/S
Rolling Bearings Handbook	9012/E
Needle Roller Bearings Handbook	9013/E
GUIDE BOOK	
Parts Feeder Guide Book	7019/E
Automotive Products Guide Book	8021/E/D/F
New Products Guide	9208/E
Food Machinery Component Guide	9209/E
Product Catalog for Paper Manufacturing Machinery	9210/E
ELECTRONIC CATALOG	
NTN Electronic Catalog (CD-ROM for Windows)	7903/E
NTN Autoparts Catalog (CD-ROM for Windows)	7905/E
Reference Kit Program -Bearing Interchange- (CD-ROM for Windows)	7907/E
OTHERS	
Adapters Locknuts and Lockwasher-Inch series	2612/E
Steel Balls for Bearing	4202/E
Bearing Handling	9103/E/P/S

C:Chinese E:English F:French D:Germany I:Italian
 K:Korean S:Spanish T:Thai TC: Taipei Chinese

Note : The above are basic numbers. Renewal of the suffix by a revision.

Inch-millimetre conversion table

inch		0	1	2	3	4	5	6	7	8	9
fraction	decimal										
1/64	0.015625	0.397	25.400	50.800	76.200	101.600	127.000	152.400	177.800	203.200	228.600
1/32	0.031250	0.794	25.797	51.197	76.597	101.997	127.397	152.797	178.197	203.597	228.997
3/64	0.046875	1.191	26.194	51.594	76.994	102.394	127.794	153.194	178.594	203.994	229.394
1/16	0.062500	1.588	26.591	51.991	77.391	102.791	128.191	153.591	178.991	204.391	229.791
5/64	0.078125	1.984	26.988	52.388	77.788	103.188	128.588	153.988	179.388	204.788	230.188
3/32	0.093750	2.381	27.384	52.784	78.184	103.584	128.984	154.384	179.784	205.184	230.584
7/64	0.109375	2.778	27.781	53.181	78.581	103.981	129.381	154.781	180.181	205.581	230.981
1/ 8	0.125000	3.175	28.178	53.578	78.978	104.378	129.778	155.178	180.578	205.978	231.378
9/64	0.140625	3.572	28.575	53.975	79.375	104.775	130.175	155.575	180.975	206.375	231.775
5/32	0.156250	3.969	28.972	54.372	79.772	105.172	130.572	155.972	181.372	206.772	232.172
11/64	0.171875	4.366	29.369	54.769	80.169	105.569	130.969	156.369	181.769	207.169	232.569
3/16	0.187500	4.762	29.766	55.166	80.566	105.966	131.366	156.766	182.166	207.566	232.966
13/64	0.203125	5.159	30.162	55.562	80.962	106.362	131.762	157.162	182.562	207.962	233.362
7/32	0.218750	5.556	30.559	55.959	81.359	106.759	132.159	157.559	182.959	208.359	233.759
15/64	0.234375	5.953	30.956	56.356	81.756	107.156	132.556	157.956	183.356	208.756	234.156
1/ 4	0.250000	6.350	31.353	56.753	82.153	107.553	132.953	158.353	183.753	209.153	234.553
17/64	0.265625	6.747	31.750	57.150	82.550	107.950	133.350	158.750	184.150	209.550	234.950
9/32	0.281250	7.144	32.147	57.547	82.947	108.347	133.747	159.147	184.547	209.947	235.347
19/64	0.296875	7.541	32.544	57.944	83.344	108.744	134.144	159.544	184.944	210.344	235.744
5/16	0.312500	7.938	32.941	58.341	83.741	109.141	134.541	159.941	185.341	210.741	236.141
21/64	0.328125	8.334	33.338	58.738	84.138	109.538	134.938	160.338	185.738	211.138	236.538
11/32	0.343750	8.731	33.734	59.134	84.534	109.934	135.334	160.734	186.134	211.534	236.934
23/64	0.359375	9.128	34.131	59.531	84.931	110.331	135.731	161.131	186.531	211.931	237.331
3/ 8	0.375000	9.525	34.528	59.928	85.328	110.728	136.128	161.528	186.928	212.328	237.728
25/64	0.390625	9.922	34.925	60.325	85.725	111.125	136.525	161.925	187.325	212.725	238.125
13/32	0.406250	10.319	35.322	60.722	86.122	111.522	136.922	162.322	187.722	213.122	238.522
27/64	0.421875	10.716	35.719	61.119	86.519	111.919	137.319	162.719	188.119	213.519	238.919
7/16	0.437500	11.112	36.116	61.516	86.916	112.316	137.716	163.116	188.516	213.916	239.316
29/64	0.453125	11.509	61.912	61.912	87.312	112.721	138.112	163.512	188.912	214.312	239.712
15/32	0.468750	11.906	62.309	62.309	87.709	113.109	138.509	163.909	189.309	214.709	240.109
31/64	0.484375	12.303	62.706	62.706	88.106	113.506	138.906	164.306	189.706	215.106	240.506
1/ 2	0.500000	12.700	63.103	63.103	88.503	113.903	139.303	164.703	190.103	215.503	240.903
33/64	0.515625	13.097	63.500	63.500	88.900	114.300	139.700	165.100	190.500	215.900	241.300
17/32	0.531250	13.494	63.897	63.897	89.297	114.697	140.097	165.497	190.897	216.297	241.697
35/64	0.546875	13.891	64.294	64.294	89.694	115.094	140.494	165.894	191.294	216.694	242.094
9/16	0.562500	14.288	64.691	64.691	90.091	115.491	140.891	166.291	191.691	217.091	242.491
37/64	0.578125	14.684	65.088	65.088	90.488	115.888	141.283	166.688	192.088	217.488	242.888
19/32	0.593750	15.081	65.484	65.484	90.884	116.284	141.684	167.084	192.484	217.884	243.284
39/64	0.609375	15.478	65.881	65.881	91.281	116.681	142.081	167.481	192.881	218.281	243.681
5/ 8	0.625000	15.875	66.278	66.278	91.678	117.078	142.478	167.878	193.278	218.678	244.078
41/64	0.640625	16.272	66.675	66.675	92.075	117.475	142.875	168.275	193.675	219.075	244.475
21/32	0.656250	16.669	67.072	67.072	92.472	117.872	143.272	168.672	194.072	219.472	244.872
43/64	0.671875	17.066	67.469	67.469	92.869	118.269	143.669	169.069	194.469	219.869	245.269
11/16	0.687500	17.462	67.866	67.866	93.266	118.666	144.066	169.466	194.866	220.266	245.666
45/64	0.703125	17.859	68.262	68.262	93.662	119.062	144.462	169.862	195.262	220.662	246.062
23/32	0.718750	18.256	68.659	68.659	94.059	119.459	144.859	170.259	195.659	221.056	246.459
47/64	0.734375	18.653	69.056	69.056	94.456	119.856	145.256	170.656	196.056	221.456	246.856
3/ 4	0.750000	19.050	69.453	69.453	94.853	120.253	145.653	171.053	196.453	221.853	247.253
49/64	0.765625	19.447	69.850	69.850	95.250	120.650	146.050	171.450	196.850	222.250	247.650
25/32	0.781250	19.844	70.247	70.247	95.647	121.047	146.447	171.847	197.247	222.647	248.047
51/64	0.796875	20.241	70.644	70.644	96.044	121.444	146.844	172.244	197.644	223.044	248.444
13/16	0.812500	20.638	71.041	71.041	96.441	121.841	147.241	172.641	198.041	223.441	248.841
53/64	0.828125	21.034	96.838	96.838	97.234	122.238	147.638	173.038	198.438	223.838	249.238
27/32	0.843750	21.431	71.834	71.834	97.631	122.634	148.034	173.434	198.834	224.234	249.634
55/64	0.859375	21.828	72.231	72.231	98.028	123.031	148.431	173.831	199.231	224.631	250.031
7/ 8	0.875000	22.225	72.628	72.628	98.425	123.428	148.828	174.228	199.628	225.028	250.428
57/64	0.890625	22.622	73.025	73.025	98.822	123.825	149.225	174.625	200.025	225.425	250.825
39/32	0.906250	23.019	73.422	73.422	99.219	124.222	149.622	175.022	200.422	225.822	251.222
59/64	0.921875	23.416	73.819	73.819	99.616	124.619	150.019	175.419	200.819	226.219	251.619
15/16	0.937500	23.812	74.216	74.216	100.012	125.016	150.416	175.816	201.216	226.616	252.016
61/64	0.953125	24.209	74.612	74.612	100.409	125.412	150.812	176.212	201.612	227.012	252.412
31/32	0.968750	24.606	75.009	75.009	100.806	125.809	151.209	176.609	202.009	227.409	252.809
63/64	0.984375	25.003	75.406	75.406	101.203	126.206	151.606	177.006	202.406	227.806	253.206
			75.803	75.803	101.600	126.603	152.003	177.403	202.803	228.203	253.603

SI-customary unit conversion table

Length	m			1m 1in 1ft	=3.281ft=39.370in =2.540 ⁻² × 10m=25.400mm =0.305mm
Area	m ²			1m ² 1ft ² 1in ²	=10.764ft ² =1550.003in ² =9.290 × 10 ⁻² m ² =6.452 × 10 ⁻⁴ m ² =6.452cm ²
Volume	m ³			1m ³ 1ft ³ 1in ³	=35.315ft ³ =6.102 × 10 ⁴ in ³ =2.832 × 10 ⁻² m ³ =16.387cm ³
Mass	kg			1kg 1lb 1oz	=2.205lb =0.454kg =28.350g
Force	N	1N 1kgf	=0.102kgf =9.807N	1N 1lbf	=0.225lbf =4.448N
Power	W	1W 1PS 1kgf · m/s	=0.102kgf · m/s =1.360 × 10 ⁻³ PS =735.499W=75kgf · m/s =9.807W	1W 1ft · lbf/s 1hp(550ft · lbf/s)	=0.738ft · lbf/s =1.356W =745.700W
Pressure, stress	Pa	1Pa 1kgf/mm ² 1MPa	=1.020 × 10 ⁻⁷ kgf/mm ² =9.807 × 10 ⁶ Pa =1 × 10 ⁶ Pa=1N/mm ² =0.102kgf/mm ²	1Pa 1lbf/in ² 1lbf/ft ²	=1.450 × 10 ⁻⁴ lbf/in ² =6.895 × 10 ³ Pa =47.880Pa
Torque	N · m	1N · m 1kgf · m	=0.102kgf · m =9.807N · m	1N · m 1lbf · ft 1lbf · in	=0.738lbf · ft =1.356N · m =0.113N · m
Velocity	m/s			1m/s 1mile/h 1ft/s	=2.237mile/h =3.281ft/s =1.609km/h =0.305m/s
Kinematic viscosity	m ² /s	1m ² /s 1mm ² /s	=1 × 10 ⁶ cSt =1cSt	1m/s 1ft ² /s	=10.764ft ² /s =9.290 × 10 ⁻² m ² /s
Temperature	°C	t°C 1°C	=(t°C+273.15)K =1K	t°C T°F	=0.56(t°F-32) =1.8t°C+32

